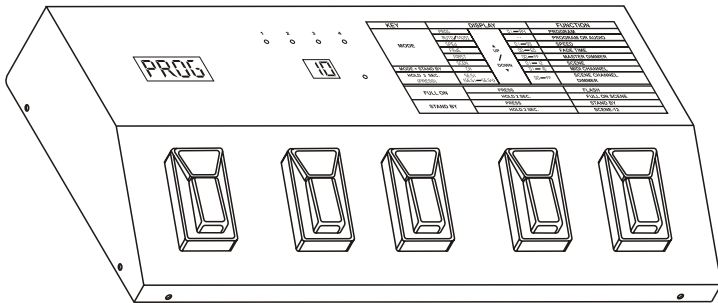




Roadster

4 Way Foot Controller Dimmer Pack

USER'S MANUAL



Please read before use

English

Contents

Features 1

General Instructions 2

1. Overview 3

1.1 Top Front 3

1.2 Back View 4

2. Operation Guide 5

2.1 Chase Mode 5

2.1.1 Program Mode 5

2.1.2 Auto/Music Mode 5

2.1.3 Speed Mode 6

2.1.4 Fade Time Mode 6

2.1.5 Master Dimmer Mode 6

2.1.6 Scene Mode 7

2.2 Scene Channel Dimmer Mode 7

2.3 Full On 7

2.4 Stand By 8

2.5 MIDI Operation 8

2.5.1 MIDI Channel Setting 8

2.5.2 MIDI Implementation 8

Technical Specifications 9



Roadster

Improvement and changes to this manual, specifications and design, may be made at any time without prior notice.

All Rights Reserved.

Features

Thank you for your purchase. This product features include:

- 4 DMX channels
- 20 built-in programs with Auto or Music mode
- The chase of programs of fade in or out within 0-60 seconds
- 12 scenes under manual control
- Built-in microphone or line in music signals
- Master dimmer over the chase of programs
- Full on & Stand by
- MIDI control over the programs, scenes, Full On and Stand By
- Power failure memory

Every effort has been made to design dependability, reliability and comfort into each unit. New products are being designed constantly to meet the needs of both entertainment and the lighting industry. We welcome your comments about our product and services.

It is both a privilege and a pleasure serving you.

General Instructions

Please read through this operating instructions before installing or using your new product. After you have finished reading the instructions, put them away in a safe place for future reference.

Safe and Efficient Use

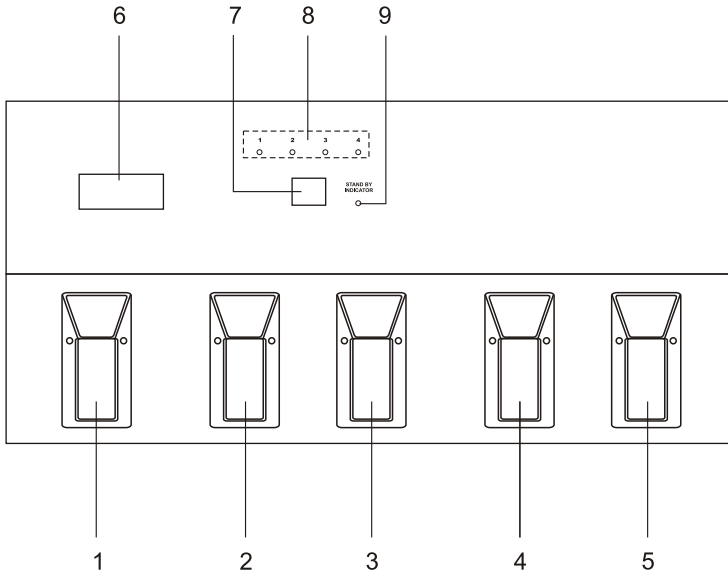
- This product must be earthed.
- Do not make any inflammable liquids, water or metal objects enter the unit.
- Take care not to damage the power cord.
- Replace the fuse with the same type.
- In the event of a malfunction(burning smell, etc.), immediately stop operation, disconnect the power supply plug, and consult authorized service personnel.
- To prevent fire or shock hazard, do not expose this product to rain or moisture.

Product Care

- This product is intended for indoor use only.
- Unplug the power plug from the sockets when not using the unit for extended period.
- Do not use the unit in places subject to excessive humidity, vibration or bumps.
- Place this unit in a stable location.
- Do not dismantle or modify the unit.

1. Overview

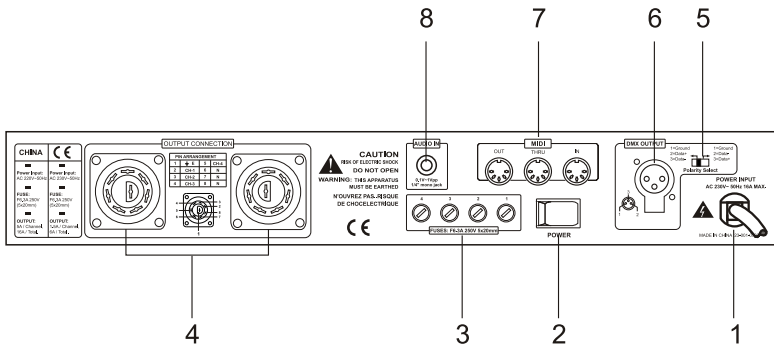
1.1 Top Front



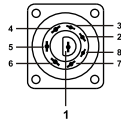
1. Mode Pedal: Press to activate the functions of chase, MIDI channel and channel dimmer.
2. Up Pedal: Press to advance the selections.
3. Down Pedal: Press to descend the selections.
4. Flash Pedal: Press to activate Flash function. Holding down this pedal for two seconds activates full on scene.
5. Stand By Pedal: Press to lead to Stand by function. Holding down this pedal for two seconds activates Scene 12.
6. 4-digit Segment Display: Shows the current function state.
7. 2-digit Segment Display: Shows the reading value of current function.
8. Channel LEDs: Shows the current activity of relevant channel.
9. Stand By LED: Indicates the Stand by function.

1. Overview

1.2 Back View



- 1. Power Input: AC 230V~50Hz, 16A max.
- 2. Power Switch: This switch turns the main power on or off.
- 3. Channel Fuse(x4): F6.3A 250V 5x20mm
- 4. Channel Output: 5A/CH., Total 16A max.



PIN ARRANGEMENT			
1	E	5	CH-4
2	CH-1	6	N
3	CH-2	7	N
4	CH-3	8	N

- 5. DMX Polarity Select: Move to select DMX polarity.
- 6. DMX Output: This connector sends 4 DMX channels output to the DMX fixture or DMX pack.
- 7. MIDI In/Out/Thru: MIDI ports for connection to a sequencer or MIDI device.
- 8. Audio Input: This 1/4" mono jack accepts a line input music signals within 0.1V-1Vpp.

2. Operation Guide

Turn the power on, this unit will return to the function state of last time automatically.

This unit has 12 scenes, each consists of 4 DMX channels. Each time this unit can send one scene.

2.1 Chase Mode

2.1.1 Program Mode

Press the Mode pedal to activate Program mode, the 4-digit Segment Display shows



Press Up or Down pedal to select any of the 20 built-in programs to chase, the 2-digit Segment Display shows the current program. 01-16 represents 1-16 programs, and A1-A4 represents 4 auto programs.



2.1.2 Auto/Music Mode

Press the Mode pedal several times until the 4-digit Segment Display shows



When "AUTO" appears, it is in Auto mode, the programs chase with set speed and fade time. When "MUSI" appears, it is in Music mode, the programs chase according to the music rhythms.

Or



2. Operation Guide

2.1.3 Speed Mode

Press the Mode pedal several times until the 4-digit Segment Display shows

A rectangular box containing the word "SPED" in a digital, seven-segment font.

In Speed mode, press Up/Down pedal to adjust chase speed. A value of 01 gives the slowest speed, and the value of 99 gives the fastest speed.

2.1.4 Fade Time Mode

Press the Mode pedal several times until the 4-digit Segment Display shows

A rectangular box containing the word "FADE" in a digital, seven-segment font.

In Fade Time mode, press Up/Down pedal to adjust fade time from instant to 60 seconds. When "00" appears in the 2-digit Segment Display, the programs will fade in or out instantly. When "60" appears, the programs will fade in or out in 60 seconds.

2.1.5 Master Dimmer Mode

Press the Mode pedal several times until the 4-digit Segment Display shows

A rectangular box containing the word "MAST" in a digital, seven-segment font.

In Master Dimmer mode, press Up/Down pedal to adjust the intensity of the chase of programs. When "00" appears in the 2-digit Segment Display, all channels of the programs will be fully off. When "FF" appears, all channels of the programs will be fully on.

2. Operation Guide

2.1.6 Scene Mode

Press the Mode pedal several times until the 4-digit Segment Display shows

A rectangular digital display showing the word "SCEN" in a seven-segment font.

In Scene mode, press Up/Down pedal to select the scene.

2.2 Scene Channel Dimmer Mode

Press and hold down the Mode pedal 3 seconds until the 4-digit Segment Display shows

A rectangular digital display showing "SE.51" in a seven-segment font.

Press Up/Down pedal to adjust the intensity of channel 1 for the current scene. Once the intensity is set, press Mode pedal to select channel 2, then adjust the intensity for the channel. 00 will give the lowest intensity, and FF will give full intensity.

Repeat the above steps until all four channels are set. Press and hold down the Mode pedal 3 seconds to deactivate this mode.

2.3 Full On

Press the Full On pedal, all channel LEDs will be fully on, all channel will be full output. Release this pedal deactivates this function and return to normal mode.

Press and hold down the Full On pedal 2 seconds, scene 11 is activated. Press this pedal again to leave this scene and return to normal mode.

2. Operation Guide

2.4 Stand By

Press the Stand By pedal, the Stand By LED will flash, all channel will be zero output. Press this pedal again to leave mode and return to normal mode.

Press and hold down this pedal 2 seconds, scene 12 is activated. Press this pedal again to leave this scene and return to normal mode.

2.5 MIDI Operation

2.5.1 MIDI Channel Setting

Press the Mode and Stand By pedals at a time, the 4-digit Segment Display shows



Press Up/Down pedal to select the MIDI channel within 01-16.

Press the Mode pedal to leave this mode.

2.5.2 MIDI Implementation

This unit will send and receive Note On and Note Off data according to the following table:

Note Number	Function
22	Mode pedal
23	Up pedal
24	Down pedal
25	Full On pedal
26	Stand By pedal

3. Technical Specifications

Power Input	AC 230V~50Hz (CE) AC 220V~50Hz (CHINA)
Channel Output	1.5A/CH., Total 6A (CE) 5A/CH., Total 16A (CHINA)
DMX Output	3-pin female XLR socket
Audio Input	0.1V-1Vpp by 1/4" mono jack
Fuse	F6.3A 250V 5x20mm
Dimensions	444x195x65mm
Weight	3.4 Kg

Specifications and improvement in the design of this unit and this manual are subject to change without prior notice.



24-004-0913

