

# XW-BTSA1-K/-W/-N

Operating Instructions



Thank you for buying this Pioneer product. Please read through these operating instructions so you will know how to operate your model properly. After you have finished reading the instructions, put them away in a safe place for future reference.

## Table of contents

- 1 Before you start
- 2 Part names and functions
- 3 Getting started
- 4 Bluetooth Audio playback
- 5 Other Connections
- 6 Additional Information

Discover the benefits of registering your product online at <http://www.pioneer.co.uk> (or <http://www.pioneer.eu>).



<http://www.pioneer.co.uk>  
<http://www.pioneer.eu>

© 2013 Pioneer Corporation. All rights reserved.

**PIONEER CORPORATION**  
 1-1, Shin-ogura, Saiwai-ku, Kawasaki-shi, Kanagawa 212-0031, Japan  
**PIONEER ELECTRONICS (USA) INC.**  
 P.O. BOX 1540, Long Beach, California 90801-1540, U.S.A. TEL: (800) 421-1404  
**PIONEER ELECTRONICS OF CANADA, INC.**  
 340 Ferrier Street, Unit 2, Markham, Ontario L3R 2Z5, Canada TEL: 1-877-283-5901, 905-479-4411  
**PIONEER EUROPE NV**  
 Haven 1087, Keetberglaan 1, B-9120 Melsele, Belgium TEL: 03/570.05.11  
**PIONEER ELECTRONICS ASIACENTRE PTE. LTD.**  
 253 Alexandra Road, #04-01, Singapore 159936 TEL: 65-6472-7555  
**PIONEER ELECTRONICS AUSTRALIA PTY. LTD.**  
 5 Arco Lane, Heatherton, Victoria, 3202, Australia, TEL: (03) 9586-6300  
**PIONEER ELECTRONICS DE MEXICO S.A. DE C.V.**  
 Blvd. Manuel Avila Camacho 138 10 piso Col.Lomas de Chapultepec, Mexico, D.F. 11000 TEL: 55-9178-4270  
 K002\_B3\_En

Printed in China

<1202-0001015>

### Declaration of Conformity with regard to the R&TTE Directive 1999/5/EC

Manufacturer: <b>PIONEER CORPORATION</b> 1-1, Shin-ogura, Saiwai-ku, Kawasaki-shi, Kanagawa 212-0031, Japan	EU Representative's: <b>Pioneer Europe NV</b> Haven 1087, Keetberglaan 1, 9120 Melsele, Belgium <a href="http://www.pioneer.eu">http://www.pioneer.eu</a>
---	---



[\*] XW-BTSA1-K, XW-BTSA1-W, XW-BTSA1-N

#### English:

Hereby, Pioneer, declares that this [\*] is in compliance with the essential requirements and other relevant provisions of Directive 1999/5/EC.

#### Suomi:

Pioneer vakuuttaa täten että [\*] tyypinen laite on direktiivin 1999/5/EY oleellisten vaatimusten ja sitä koskevien direktiivin muiden ehtojen mukainen.

#### Nederlands:

Hierbij verklaart Pioneer dat het toestel [\*] in overeenstemming is met de essentiële eisen en de andere relevante bepalingen van richtlijn 1999/5/EG

#### Français:

Par la présente Pioneer déclare que l'appareil [\*] est conforme aux exigences essentielles et aux autres dispositions pertinentes de la directive 1999/5/CE

#### Svenska:

Härmed intygar Pioneer att denna [\*] står i överensstämmelse med de väsentliga egenskapskrav och övriga relevanta bestämmelser som framgår av direktiv 1999/5/EG.

#### Dansk:

Undertegnede Pioneer erklærer herved, at følgende udstyr [\*] overholder de væsentlige krav og øvrige relevante krav i direktiv 1999/5/EF

#### Deutsch:

Hiermit erklärt Pioneer, dass sich dieses [\*] in Übereinstimmung mit den grundlegenden Anforderungen und den anderen relevanten Vorschriften der Richtlinie 1999/5/EG befindet\*. (BMWi)

#### Ελληνικά:

ΜΕ ΤΗΝ ΠΑΡΟΥΣΑ Pioneer ΔΗΛΩΝΕΙ ΟΤΙ [\*] ΣΥΜΜΟΡΦΩΝΕΤΑΙ ΠΡΟΣ ΤΙΣ ΟΥΣΙΩΔΕΙΣ ΑΠΑΙΤΗΣΕΙΣ ΚΑΙ ΤΙΣ ΛΟΙΠΕΣ ΣΧΕΤΙΚΕΣ ΔΙΑΤΑΞΕΙΣ ΤΗΣ ΟΔΗΓΙΑΣ 1999/5/ΕΚ

#### Italiano:

Con la presente Pioneer dichiara che questo [\*] è conforme ai requisiti essenziali ed alle altre disposizioni pertinenti stabilite dalla direttiva 1999/5/CE.

#### Español:

Por medio de la presente Pioneer declara que el [\*] cumple con los requisitos esenciales y cualesquiera otras disposiciones aplicables o exigibles de la Directiva 1999/5/CE

#### Português:

Pioneer declara que este [\*] está conforme com os requisitos essenciais e outras disposições da Directiva 1999/5/CE.

#### Čeština:

Pioneer tímto prohlašuje, že tento [\*] je ve shodě se základními požadavky a dalšími příslušnými ustanoveními směrnice 1999/5/ES

#### Eesti:

Käesolevaga kinnitab Pioneer seadme [\*] vastavust direktiivi 1999/5/EÜ põhinõuetele ja nimetatud direktiivist tulenevatele teistele asjakohastele sätetele.

#### Magyar:

Alulírott, Pioneer nyilatkozom, hogy a [\*] megfelel a vonatkozó alapvető követelményeknek és az 1999/5/EC irányelv egyéb előírásainak.

#### Latviešu valoda:

Ar šo Pioneer deklarē, ka [\*] atbilst Direktīvas 1999/5/EK būtiskajām prasībām un citiem ar to saistītajiem noteikumiem.

#### Lietuvių kalba:

Šiuo Pioneer deklaruojau, kad šis [\*] atitinka esminius reikalavimus ir kitas 1999/5/EB Direktyvos nuostatas.

#### Malti:

Hawnhekk, Pioneer jiddikjara li dan [\*] jikkonforma mal-ħtiġġiet essenzzjali u ma provvedimenti oħrajn relevanti li hemm fid-Direttiva 1999/5/EC

#### Slovenčina:

Pioneer tímto vyhlasuje, že [\*] spĺňa základné požiadavky a všetky príslušné ustanovenia Smernice 1999/5/ES.

#### Slovenščina:

Pioneer izjavlja, da je ta [\*] v skladu z bistvenimi zahtevami in ostalimi relevantnimi določili direktive 1999/5/ES.

#### Română:

Prin prezenta, Pioneer declara ca acest [\*] este in conformitate cu cerintele esentiale si alte prevederi ale Directivei 1999/5/EU.

#### Български:

С настоящето, Pioneer декларира, че този [\*] отговаря на основните изисквания и други съответни постановления на Директива 1999/5/EC.

#### Polski:

Niniejszym Pioneer oświadczam, że [\*] jest zgodny z zasadniczymi wymogami oraz pozostałymi stosownymi postanowieniami Dyrektywy 1999/5/EC

#### Norsk:

Pioneer erklærer herved at utstyret [\*] er i samsvar med de grunnleggende krav og øvrige relevante krav i direktiv 1999/5/EF.

#### Íslenska:

Hér með lýsir Pioneer yfir því að [\*] er í samræmi við grunnkröfur og aðrar kröfur, sem gerðar eru í tilskipun 1999/5/EC

#### Hrvatski:

Ovime tvrtka Pioneer izjavljuje da je ovaj [\*] u skladu osnovnim zahtjevima i ostalim odredbama Direktive 1999/5/EC.

## Specifications

**Amplifier section**  
 RMS Power Output:.....8 W+8 W  
 (RMS, 1 kHz, 1 %, T.H.D., 8 Ω)

**Speaker section**  
 System .....Bass-reflex type  
 Speakers:  
 Fullrange .....63 mm x 2  
 Tweeter .....13 mm x 2  
 Frequency range .....80 Hz to 20 kHz

**Bluetooth section**  
 Communication method ..... Bluetooth Standard Ver. 4.0  
 Class ..... Class 2  
 Supported codec ..... SBC, apt-X  
 Maximum communication distance ..... 10 m

**Miscellaneous**  
 USB (for charging) ..... 5 V, 1 A  
 Power consumption ..... 15 W  
 In standby ..... 0.5 W or less  
 Dimensions (W) x (H) x (D) ..... 290 mm x 102 mm x 143 mm  
 Weight (without package and AC adapter) ..... 1.4 kg

**AC adapter**  
 Power requirements ..... AC 100 V to 240 V, 50 Hz/60 Hz  
 Rated output ..... DC 14 V, 2000 mA

**Accessories**  
 AC adapter ..... 1  
 Power plug ..... 2  
 Remote Control ..... 1  
 Lithium Battery (CR2025)\* ..... 1  
 \*The lithium battery has been factory installed in the remote control unit.  
 Warranty card ..... 1  
 Operating instructions (This document)

**Note**  
 • Specifications and the design are subject to possible modifications without notice, due to improvements.

### Store the AC adapter out of the reach of children and infants.

The AC adapter cord may accidentally wind around the neck and it may cause suffocation.

### AC adapter CAUTION

- Make sure to grasp the body of the AC adapter when removing it from the power outlet. If you pull the power cord, it may become damaged which could lead to fire and/or electrocution.
- Do not attempt to plug in or remove the AC adapter with wet hands. This may result in electrocution.
- Do not insert the power cord of AC adapter into a power outlet where the connection remains loose despite inserting the prongs all the way into the outlet. Heat may be generated which could lead to fire. Consult with the retailer or an electrician regarding replacement of the power outlet.

### Radio wave caution

This unit uses a 2.4 GHz radio wave frequency, which is a band used by other wireless systems (Microwave ovens and Cordless phones, etc.). In this event noise appears in your television image, there is the possibility this unit (including products supported by this unit) is causing signal interference with the antenna input connector of your television, video, satellite tuner, etc. In this event, increase the distance between the antenna input connector and this unit (including products supported by this unit).

- Pioneer is not responsible for any malfunction of the compatible Pioneer product due to communication error/malfunctions associated with your network connection and/or your connected equipment. Please contact your Internet service provider or network device manufacturer.
- A separate contract with/payment to an Internet service provider is required to use the Internet.

### Condensation

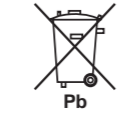
If the player is moved suddenly from a cold place into a warm room (in winter, for example) or if the temperature in the room in which the player is installed rises suddenly due to a heater, etc., water droplets (condensation) may form inside (on operating parts and the lens). When condensation is present, the player will not operate properly and playback is not possible. Let the player stand at room temperature for 1 or 2 hours with the power turned on (the time depends on the extent of condensation). The water droplets will dissipate and playback will become possible. Condensation can also occur in the summer if the player is exposed to the direct wind from an air-conditioner. If this happens, move the player to a different place.

### Information for users on collection and disposal of old equipment and used batteries

(Symbol for equipment)



(Symbol examples) for batteries



These symbols on the products, packaging, and/or accompanying documents mean that used electrical and electronic products and batteries should not be mixed with general household waste.

For proper treatment, recovery and recycling of old products and used batteries, please take them to applicable collection points in accordance with your national legislation.

By disposing of these products and batteries correctly, you will help to save valuable resources and prevent any potential negative effects on human health and the environment which could otherwise arise from inappropriate waste handling.

For more information about collection and recycling of old products and batteries, please contact your local municipality, your waste disposal service or the point of sale where you purchased the items.

**These symbols are only valid in the European Union.**

**For countries outside the European Union:**

If you wish to discard these items, please contact your local authorities or dealer and ask for the correct method of disposal.

**CAUTION**  
 TO PREVENT THE RISK OF ELECTRIC SHOCK, DO NOT REMOVE COVER (OR BACK). NO USER-SERVICEABLE PARTS INSIDE. REFER SERVICING TO QUALIFIED SERVICE PERSONNEL.

D3-4-2-1-B1\_En

### WARNING

This equipment is not waterproof. To prevent a fire or shock hazard, do not place any container filled with liquid near this equipment (such as a vase or flower pot) or expose it to dripping, splashing, rain or moisture.

D3-4-2-1-3\_A1\_En

### WARNING

To prevent a fire hazard, do not place any naked flame sources (such as a lighted candle) on the equipment.

D3-4-2-1-7a\_A1\_En

### VENTILATION CAUTION

When installing this unit, make sure to leave space around the unit for ventilation to improve heat radiation (at least 10 cm at top, 10 cm at rear, and 10 cm at each side).

### WARNING

Slots and openings in the cabinet are provided for ventilation to ensure reliable operation of the product, and to protect it from overheating. To prevent fire hazard, the openings should never be blocked or covered with items (such as newspapers, table-cloths, curtains) or by operating the equipment on thick carpet or a bed.

D3-4-2-1-7b\*\_A1\_En



### Operating Environment

Operating environment temperature and humidity: +5 °C to +35 °C (+41 °F to +95 °F); less than 85 %RH (cooling vents not blocked)  
 Do not install this unit in a poorly ventilated area, or in locations exposed to high humidity or direct sunlight (or strong artificial light).

D3-4-2-1-7c\*\_A2\_En

### Damage Requiring Service

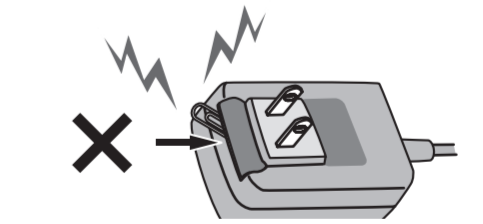
Unplug the unit and refer servicing to qualified service personnel in the following situations:

- When the power cord, plug, or chassis is damaged.
- If liquid has been spilled, or objects have fallen into the product.
- If the product has been exposed to rain or water.
- If the product does not operate normally when the operating instructions are followed. Adjust only those controls that are covered by the operating instructions. Improper adjustment of other controls may result in damage and can require extensive work by a qualified technician to restore the unit to its normal operation.
- When the product exhibits a distinct change in performance – this indicates a need for service.

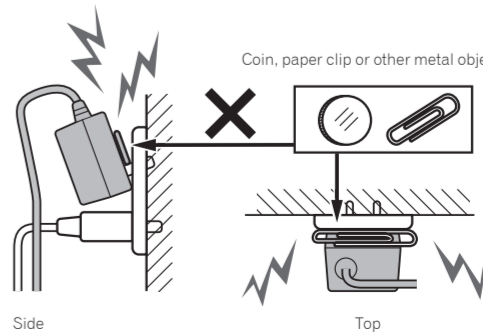
Check that there are no irregularities with the AC adapter or power plug, then insert the power plug into the specified position of the AC adapter using the specified procedure until a click is heard. For details, see *Mounting the power plug* on chapter 1.

If there are irregularities with the AC adapter or power plug, ask your nearest Pioneer authorized service center or your dealer to carry out repair work.

- Do not use this unit with a coin, paper clip or other metal object stuck between the AC adapter and power plug. Doing so could cause a short circuit, leading to fire or electric shock.



- When mounting the AC adapter on a wall outlet, make sure there is no space between the AC adapter and the wall outlet. Faulty contact or a coin, paper clip or other metal object getting stuck in the space could cause a short circuit, leading to fire or electric shock.



- The power plug could come detached from the AC adapter and remain in the power outlet if someone trips on the AC adapter's power cord or if something hits the AC adapter. If this happens, remove the power plug remaining in the outlet with dry hands, holding it as shown on the diagram below and without touching metal parts. Do not use any tools to remove it.



Do not touch metal parts.



# 1 Before you start

## What's in the box

- AC adapter x 1
- Power plug x 2
- Remote Control x 1
- Lithium Battery (CR2025)
  - The lithium battery has been factory installed in the remote control unit.
- Warranty card x 1
- Operating Instructions (This Document)

## Before using the remote control

The battery supplied with this unit is stored in the battery casing. Remove the protective seal from the battery casing.



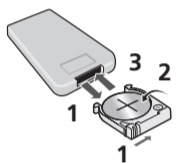
### Note

- When you notice a decrease in the operating range, replace the battery.

## Replace the battery

When replacing the battery, use a commercially available Lithium CR2025 battery.

- Flip the remote control and pull out the battery holder by pushing the tab to the right.**
- Place a new battery in the casing.**  
Make sure the + side of the battery is facing up when you place it in the space provided.
- Push back the battery holder.**



The battery included with the unit is to check initial operations; it may not last over a long period.

### WARNING

#### About lithium battery

- Danger of explosion if battery is incorrectly replaced. Replace only with the same or equivalent type recommended by the manufacturer.
- Dispose of used battery cells immediately after replacement. Keep away from children. If swallowed, please contact a doctor immediately.
- Lithium batteries may present a fire or chemical burn hazard if misused. Do not disassemble, heat above 100 °C, or incinerate.
- Do not use or store batteries in direct sunlight or other excessively hot place, such as inside a car or near a heater. This can cause batteries to leak, overheat, explode or catch fire. It can also reduce the life or performance of batteries.

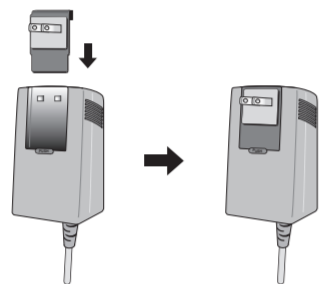
### Caution

Incorrect use of batteries may result in such hazards as leakage and bursting. Observe the following precautions:

- Remove the battery if the unit isn't going to be used for a month or more. In the event of battery fluid leakage, wipe up any fluid inside the case and install a new battery.
- When disposing of used batteries, please comply with governmental regulations or environmental public institution's rules that apply in your country or area.

## Mounting the power plug

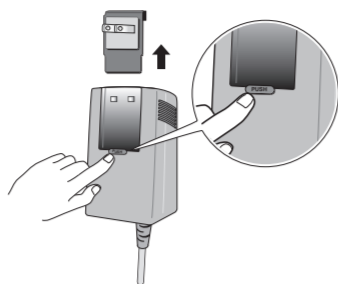
Slide the power plug along the guide rails in the AC adapter unit as shown on the diagram below, then press in until a click is heard.



### Removing the power plug

While pressing the **[PUSH]** button on the AC adapter unit, slide the power plug away from the adapter as shown on the diagram below to remove it.

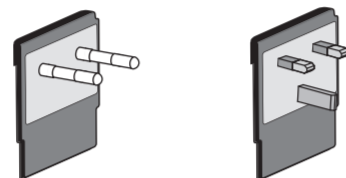
Once the power plug is mounted, there is no need to remove it.



## Power plug

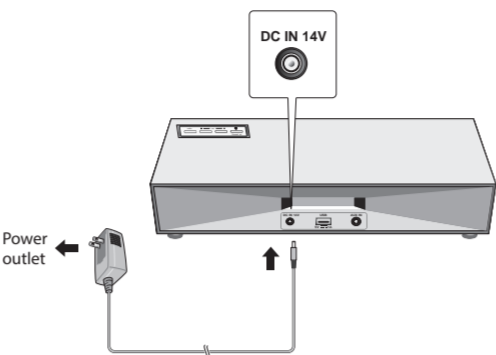
This product comes with the types of power plugs shown below. Use the appropriate power plug for the country or region you are in.

Type 1 (for Europe)      Type 2 (for the UK)



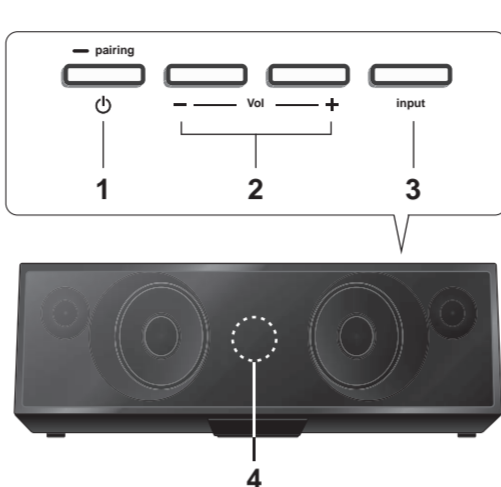
## Connect DC Power

- Connect the AC adapter's DC plug to the DC IN jack on the back panel. Then connect the power plug on the other end to the power outlet.
- Use only the AC adapter included in this package. (Do not use the power adapter of different specification.)



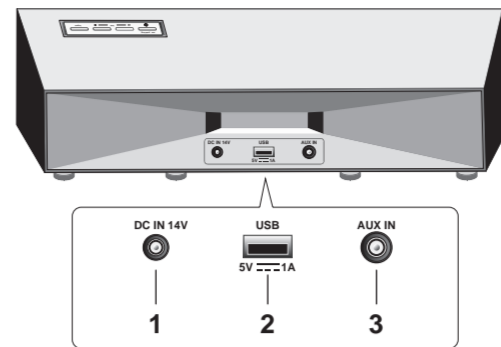
# 2 Part names and functions

## Top Panel



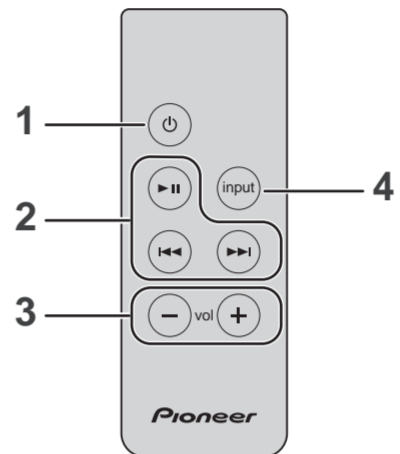
- standby/on button**
  - Switches the unit between Standby and On.
  - Press and hold to perform pairing with *Bluetooth* device.
- Vol +/- button**
  - Adjust the listening volume.
  - The listening volume has a range from 0 to 29 (however, the unit is not equipped with a display to visually indicate the volume level). (Default setting: 11)
  - If the volume is set within the range of 23 to 29, it will be set to 23 automatically when the unit switches from standby mode to power on.
- input button**
  - Switch the mode of *Bluetooth* and AUX.
- input Indicator (The LED indicator is inside the grill on the front panel.)**
  - Light up Indicate green when the unit is in AUX mode.
  - Light up Indicate blue when the unit is in *Bluetooth* mode.
  - Blink blue during waiting for *Bluetooth* connection.
  - Blink blue quickly for *Bluetooth* pairing.

## Back Panel



- DC IN 14V Jack**  
Connect the AC adapter.
- USB connector**  
Use to charge the smartphone. Audio playback is not supported. (Specification: 5V, 1A)
- AUX IN Jack**  
Connect auxiliary components.

## Remote Control



- standby/on button**  
Switches the unit between Standby and On.
- Playback control buttons**  
Use when operating the smartphone with this remote control.
- vol +/- button**  
Use to adjust the listening volume.
- input button**  
Press to select the input source.

# 3 Getting started

## Turning on

Press the **[standby/on]** button. The indicator would light.

- The unit switches to the mode (*Bluetooth* mode or AUX mode) that was last used.
- The unit will be in *Bluetooth* mode when it is turned on for the first time (when the AC adapter is connected to a power outlet).

### Note

- If no sound is output on this unit for 10 minutes or longer, the power turns off automatically (switch to standby mode).
- If the sound is played at low volume, this unit may turn the power off (switch to standby mode) automatically. Increase the volume to prevent this from happening.
- If this unit automatically turns off (switches to standby mode) in AUX mode, the power will automatically turn on if an audio signal is input from an external device connected via the AUX jack.
- If this unit automatically turns off (switches to standby mode) in *Bluetooth* mode, the power will not turn on automatically.

# 4 Bluetooth Audio playback



- Bluetooth* wireless technology enabled device: Cell phone
- Bluetooth* wireless technology enabled device: Digital music player
- Device not equipped with *Bluetooth* wireless technology: Digital music player + *Bluetooth* audio transmitter (commercially available)

This product enables you to enjoy listening to music wirelessly from a *Bluetooth* wireless technology enabled device (cell phone, digital music player, etc.). You can also enjoy music from a non-*Bluetooth* wireless technology enabled device using a *Bluetooth* audio transmitter available in stores. For details, refer to the user manual for the *Bluetooth* wireless technology enabled device.

This unit supports the SCMS-T content protection method. Music from *Bluetooth* wireless technology enabled devices which support the SCMS-T content protection method can be played back.

### Note

- The *Bluetooth* wireless technology enabled device must support A2DP profiles.
- Pioneer does not guarantee proper connection and operation of this unit with all *Bluetooth* wireless technology enabled devices.
- The *Bluetooth*® word mark and logos are registered trademarks owned by Bluetooth SIG, Inc. and any use of such marks by PIONEER CORPORATION is under license. Other trademarks and trade names are those of their respective owners.

# 4 Bluetooth Audio playback

## Pairing this unit and Bluetooth wireless technology device

To enjoy music from a *Bluetooth* wireless technology enabled device, pairing is required with this product. Make sure to perform pairing first time you operate the system or any time pairing data is cleared.

- Pairing is a step required to enable communication using *Bluetooth* wireless technology. For details, refer to the user manual of the *Bluetooth* wireless technology enabled device.
- Pairing is required when you first use *Bluetooth* wireless technology device and this unit.
- Up to eight *Bluetooth* wireless technology devices can be paired with the unit at one time.
- To enable *Bluetooth* communication, pairing should be done with both of your system and *Bluetooth* wireless technology device.

- Select Bluetooth mode. The input indicator inside the grill on the front panel blinks blue quickly and the unit will enter the pairing mode.**

- Switch on the Bluetooth wireless technology device that you want to perform pairing with, place the device within 1 m of the system, and set it to the pairing mode.**

Pairing begins.

- "Pairing" is the step necessary to register *Bluetooth* wireless technology device to enable *Bluetooth* communications. For more details, see also the operating instructions of your *Bluetooth* wireless technology device.

- When Bluetooth wireless technology device has connected, the input indicator will change from blinking blue to lit.**

- Start playback of music contents stored in Bluetooth wireless technology device.**

## Controlling devices with the remote control

The remote control that came with the unit can be used to control *Bluetooth*-enabled devices.

### Note

- In order for it to be able to be controlled using the remote control for the unit, the *Bluetooth*-enabled device must support the AVRCP profile.
- The remote control is not guaranteed to work with all *Bluetooth*-enabled devices.

## Connect the Latest Paired Bluetooth wireless technology Device

When the unit is switch on again to *Bluetooth* mode next time, it will be connected automatically with equipment that has the latest connected device already.

## Connect previous Paired Bluetooth Device

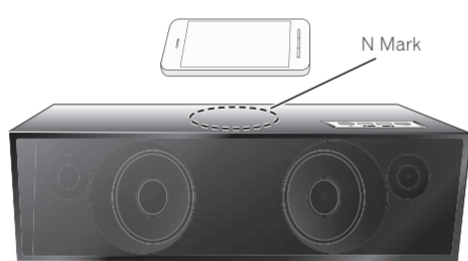
- If you want to connect other paired device instead of the latest paired one, please make sure the Bluetooth connection of the latest device dis-connect. Then, the input indicator inside the grill on the front panel blinks quickly and the unit will change the waiting for connection mode.**  
You can also continue pressing the **[standby/on]** button so that the unit switches to waiting for connection mode, and then move on to the next step.
- Switch on other paired device, and select this unit from this device Bluetooth list.**
- Connection with other devices is successful, the blue input indicator will change from blinking blue to lit.**  
Operating range of *Bluetooth* audio is up to 10 m. (Measured in open space. Walls and structures may affect range of device.)

## Connect with NFC / Pairing

NFC stands for "Near Field Communication" which enables establishing *Bluetooth* connection and pairing by simply performing a few operations after holding an NFC-equipped smartphone up close to the unit.

### Note

- Supported OS: Android 4.1 and above
- This may not operate properly, depending on the smartphone or tablet device.



- Check to make sure that the unit power is on and then switch the unit to Bluetooth mode.**
- Hold the device to be connected up close to the unit in the N Mark.**
- Pairing automatically begins.**
- When pairing is successful, the unit can be used as Bluetooth speakers and music can be played back wirelessly.**  
The NFC function on this unit can be used when the unit is in *Bluetooth* mode.

## Radio wave caution

This unit uses a 2.4 GHz radio wave frequency, which is a band used by other wireless systems (see list below). To prevent noise or interrupted communication, do not use this unit nearby such devices, or make sure these devices are switched off during use.

- Cordless phones
- Cordless facsimiles
- Microwave ovens
- Wireless LAN devices
- Wireless AV equipment
- Wireless controllers for game systems
- Microwave-based health aids
- Some baby monitors

Other, less common, equipment that may operate on the same frequency:

- Anti-theft systems
- Amateur radio stations (HAM)
- Warehouse logistic management systems
- Discrimination systems for train or emergency vehicles

### Note

- In the event noise appears in your television image, there is the possibility that a *Bluetooth* wireless technology enabled device or this unit (including products supported by this unit) are causing signal interference with the antenna input connector of your television, video, satellite tuner, etc. In this event, increase the distance between the antenna input connector and the *Bluetooth* wireless technology enabled device or this unit (including products supported by this unit).
- If there is something obstructing the path between this unit (including devices supported by this unit) and the device equipped with *Bluetooth* wireless technology (such as a metal door, concrete wall, or insulation containing tin foil), you may need to change the location of your system to prevent signal noise and interruptions.

## Scope of operation

Use of this unit is limited to home use. (Transmission distances may be reduced depending on communication environment.)

In the following locations, poor condition or inability to receive radio waves may cause the audio to be interrupted or stopped:

- In reinforced concrete buildings or steel framed or ironframed buildings.
- Near large metallic furniture.
- In a crowd of people or near a building or obstacle.
- In a location exposed to the magnetic field, static electricity or radio wave interference from radio communication equipment using the same frequency band (2.4 GHz) as this unit, such as a 2.4 GHz wireless LAN device or microwave oven.
- If you live in a heavily populated residential area (apartment, townhouse, etc.) and if your neighbor's microwave is placed near your system, you may experience radio wave interference. If this occurs, move your unit to a different place. When the microwave is not in use, there will be no radio wave interference.

## Radio wave reflections

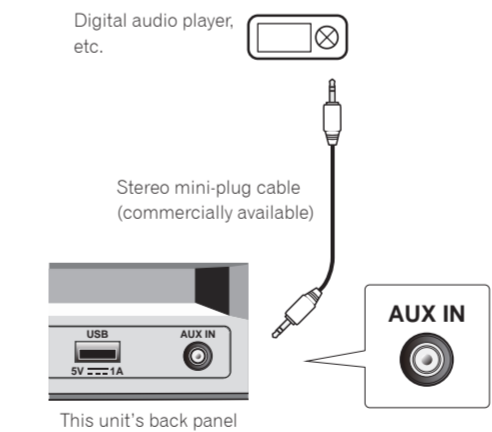
The radio waves received by this unit include the radio wave coming directly from the device equipped with *Bluetooth* wireless technology (direct wave) and waves coming from various directions due to reflections by walls, furniture and building (reflected waves). The reflected waves (due to obstacles and reflecting objects) further produce a variety of reflected waves as well as variation in reception condition depending on locations. If the audio cannot be received properly due to this phenomenon, try moving the location of the device equipped with *Bluetooth* wireless technology a little. Also note that audio may be interrupted due to the reflected waves when a person crosses or approaches the space between this unit and the device equipped with *Bluetooth* wireless technology.

# 5 Other Connections

- Before making or changing the connections, switch off the power and disconnect the AC adapter from the power outlet. Be sure to connect the AC adapter last.
- When playing music through AUX mode, the music volume will vary depending on the volume of the music player. If there is distortion when the volume is set at max, lower the music player's volume and to avoid distortion.

## Connecting auxiliary components

- Connecting auxiliary components**  
Connect the back panel AUX IN jack to the analog output jack (or headphone output jack) of the device to be connected using the commercially available stereo mini-plug cable.



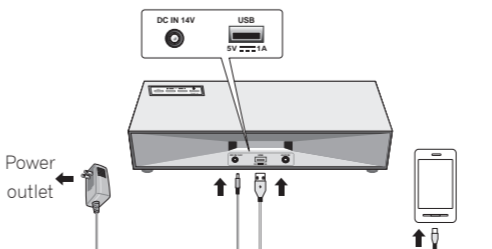
- Press [input] button.**  
Input indicator : green
- Start playback of the auxiliary component.**

## Charging auxiliary components

Smartphones can be charged when they are connected to the unit using a commercially available USB cable.

- Turn on the unit.**
- Use the USB cable to connect the unit and the smartphone.**

The smartphone will start charging.



# 6 Additional Information

## Troubleshooting

Incorrect operation is often mistaken for trouble or malfunction. If you think that there is something wrong with this component, check the points below. Sometimes the trouble may lie in another component. Inspect the other components and electrical appliances being used. If the trouble cannot be rectified even after checking the points below, ask your nearest Pioneer authorized service center or your dealer to carry out repair work.

- If the unit does not operate normally due to external effects such as static electricity, disconnect the power plug from the outlet and insert it again to return to normal operating conditions.

Problem	Remedy
The power does not turn on.	Disconnect the power plug from the outlet, and insert again. →Chapter 1
Power automatically switches to standby without user action.	When this unit is not operated for 10 minutes or more, power will automatically turn OFF. →Chapter 3
No sound is output when a AUX mode is selected.	Make sure the component is connected correctly. →Chapter 5

- The *Bluetooth* wireless technology device cannot be connected or operated. Sound from the *Bluetooth* wireless technology device is not emitted or the sound is interrupted.
  - Check that no object that emits electromagnetic waves in the 2.4 GHz band (microwave oven, wireless LAN device or *Bluetooth* wireless technology apparatus) is near the unit. If such an object is near the unit, set the unit far from it. Or, stop using the object emitting the electromagnetic waves.
  - Check that the *Bluetooth* wireless technology device is not too far from the unit and that obstructions are not set between the *Bluetooth* wireless technology device and the unit. Set the *Bluetooth* wireless technology device and the unit so that the distance between them is less than about 10 m\* and no obstructions exist between them.
  - The distance given is to be used as a rough guide. The actual allowable distance between devices may vary depending on conditions in the surrounding environment.
  - The *Bluetooth* wireless technology device may not be set to the communication mode supporting the *Bluetooth* wireless technology. Check the setting of the *Bluetooth* wireless technology device.

Problem	Remedy
Pairing cannot be performed using the NFC function.	Check that pairing is correct. The pairing setting was deleted from this unit or the <i>Bluetooth</i> wireless technology device. Reset the pairing. Check that the profile is correct. Use a <i>Bluetooth</i> wireless technology device that supports A2DP profile. →Chapter 4
Does the device to be connected support NFC?	Is the NFC function on the device to be connected turned on?
Is the device to be connected turned on?	When pairing devices, move the N Mark on this unit close to where the NFC antenna on the device to be paired.
Is the unit in Bluetooth mode?	Use a compatible device with Android OS 4.1 or later.
Does the device to be connected support A2DP profile?	This unit may not operate properly, depending on the smartphone or tablet device. →Chapter 4

## Cautions on use

### When moving this unit

When moving this unit, press **[standby/on]** button, and then unplug the power cord.  
Damage may occur when another device is connected to the AUX IN jack.

### Place of installation

- Do not place this unit on top of a TV or color monitor. Also, install it away from cassette decks and other devices easily affected by magnetic forces.
- Avoid the following locations:
  - Places exposed to direct sunlight
  - Humid or poorly ventilated places
  - Extremely hot places
  - Places exposed to vibrations
  - Places in which there is much dust
  - Places exposed to soot, steam, or heat (kitchens, etc.)

Do not place objects on this unit.

Do not place any objects on top of this unit.

Do not attach this unit to the wall or ceiling. It may fall off and cause injury.

Do not obstruct the ventilation holes.

Do not use this unit on shaggy rugs, beds, sofas, etc., or wrapped in cloth, etc. Doing so will prevent the heat from dispersing, leading to damage.

### Caution

- Although the indicator light remains off while the unit's power is off (in standby mode), there is still power flowing to the unit at this time.
- If this unit was turned off (switched to standby mode) by pressing the **[standby/on]** button, the power will not automatically turn on even if an audio signal is input from an external device connected via the AUX jack.

### Note

- The *Bluetooth* wireless technology enabled device must support A2DP profiles.
- Pioneer does not guarantee proper connection and operation of this unit with all *Bluetooth* wireless technology enabled devices.
- The *Bluetooth*® word mark and logos are registered trademarks owned by Bluetooth SIG, Inc. and any use of such marks by PIONEER CORPORATION is under license. Other trademarks and trade names are those of their respective owners.

Do not expose to heat.

Do not place this unit on top of an amplifier or other components that generate heat. When rack mounting it, to avoid the heat given off by the amplifier or other audio components, place it on a shelf below the amplifier.

Depending on signal conditions, striped patterns may appear on a TV screen and noise may enter the sound of radio broadcasts when the power of this unit is on. If this happens, turn off the power of this unit.

## Cleaning the this unit

- Unplug the power cord from the power outlet when cleaning this unit.
- Clean this unit using a soft cloth. For tough dirt, apply some neutral detergent diluted in 5 to 6 parts water to a soft cloth, wring out thoroughly, wipe off the dirt, and then wipe again with a soft, dry cloth.
- Alcohol, thinner, benzene, insecticides, etc., could cause the print or paint to peel off. Also, leaving rubber or vinyl products in contact with this unit for long periods of time could mar the cabinet.
- When using chemical-impregnated wipes, etc., read the cautions included with the wipes carefully.

© 2012 CSR plc and its group companies. The aptX® mark and the aptX logo are trade marks of CSR plc or one of its group companies and may be registered in one or more jurisdictions.  
The N Mark is a trademark or registered trademark of NFC Forum, Inc. in the United States and in other countries.  
Android is a trademark of Google Inc.