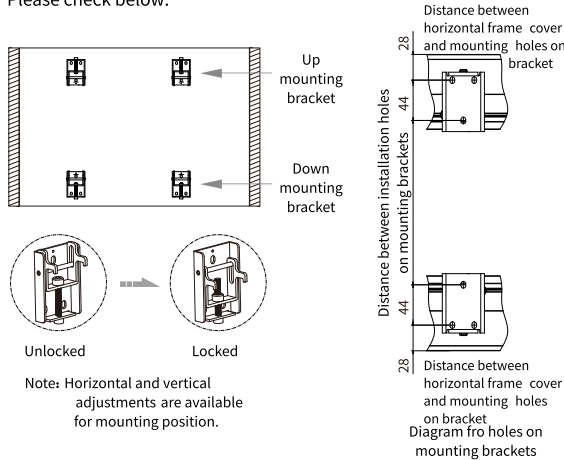
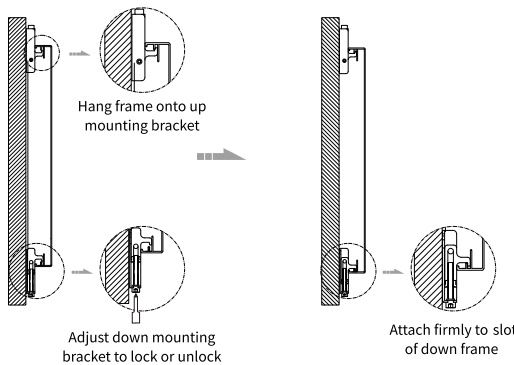


**Installation of screen:**

- The length of mounting bracket is as half as long frame. tether is cut according to distance between up and down mount brackets.
- The mounting brackets should be fixed around middle position of screen, and proper adjustment might be needed according to installation environment. The four pcs of mounting brackets should be installed in level. Hole's distance between up and down mounting brackets should be overall height minus 56mm. Please check below:



- Please make sure the brackets are firmly installed. Hang the screen onto upper mounting bracket and make adjustment until upper bracket is at the middle of screen. Let the screen hang vertically and tight the screw of down mounting bracket until screw is attached to slot of down frame. Please check below:



- For uninstal of screen, unscrew down mounting brackets till it is loosen from slot of down frame. Lift the screen lightly to make it go off upper mounting bracket and finish uninstal.



**Maintainance**

In order to maintain good performance of screen, please cover the screen with cloth if it is not used for a long term to prevent dust and dirt from screen. If there are apparent varias or dirt on screen material, please use soft brush or cloth to clean it.

**Clean the screen material**

Rub gently according to grain of velvet frame with warm water mixed with soft detergent. (Please be noted that it should be gently rubbed instead of scrubbing hard). Please prevent from hitting the frame in case of damage of velvet. By finishing cleaning, let frames dry itself.

Please do not use any dissolvent, chemical agent or any tool with strong friction for clean, which would cause permanent damage to the screen.



**Ambient Light Rejection fixed frame screen**

**Model: SALF xxx WSF**

**\*The screen can only be used with ultra-short throw projectors, and the ultra short throw projector must be at the bottom of the screen**

**Technical Assistance**

If you need help with installing this screen please visit [www.sapphireav.com](http://www.sapphireav.com)

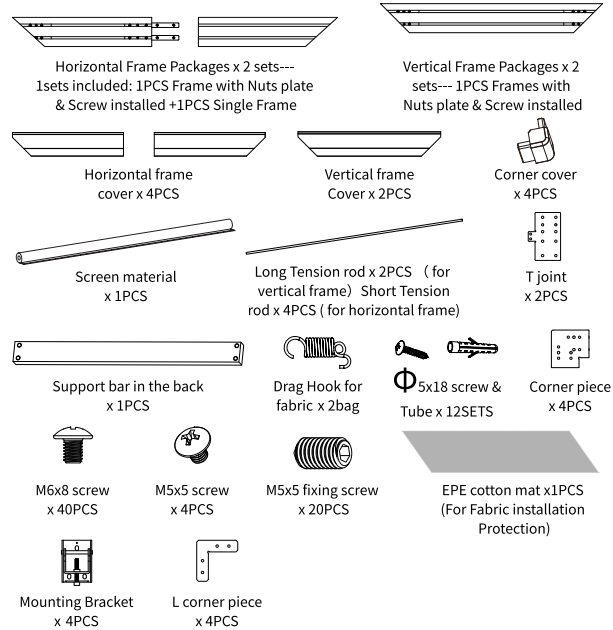
Dear Customer:

**\*The screen can only be used with ultra-short throw projectors and the ultra short throw projector must be at the bottom of the screen**

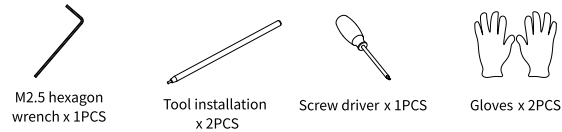
Thanks for your purchasing SAFL Series frame screen. Please go through the user manual before use. Please keep the user manual well for future reference.

### Preparation before Installation

Parts included:



Tools for installation:



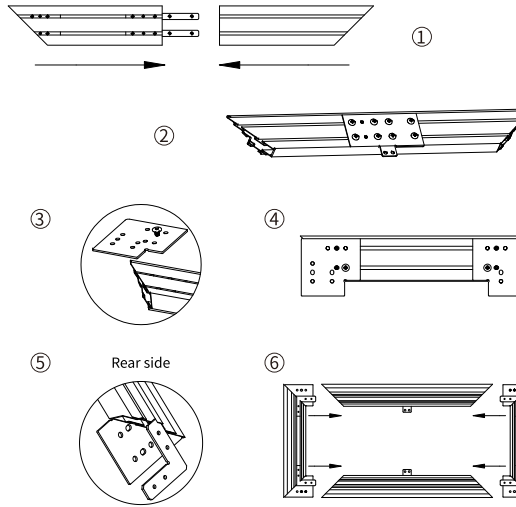
- Please prepare for suitable tools such as gradienter, tape, marker, etc.
- Please make sure precise installation distance and proper installation position for upper and nether mounting brackets.
- Use the proper screws for installation according to the site.  
(Use tapping screws for wooden wall and tapping screws with expansion fixture for concrete wall)

### Instruction for installation

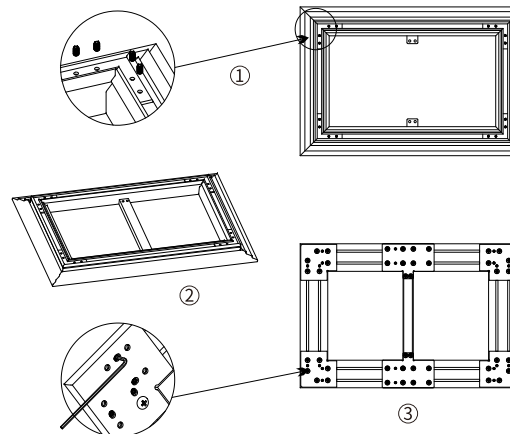
Assembly of frames:

- Put the horizontal frame on clean floor, then join the horizontal frames by inserting the nut plate into the other. And place the T joint on frame joint position. Then align the T joint with nut plate inserted in the frame. If found the holes are not aligned properly, please do some adjustment by slightly shifting T joint. Please

- screw them with M6 screws tightly when there is no seam. Please check diagram 1, 2.



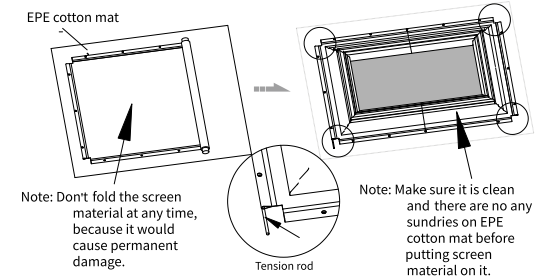
- Put corner piece on the both sides of vertical frames and slightly fix it with one pcs of screw. Please check above diagram 3 and 4. Kindly insert L corner piece into the tunnel accordingly. please check diagram 5 above. Then join vertical frames with horizontal frames, please check diagram 6 above. Screw tight M5 fixing screws one by one, please check diagram 1 below and recommend to screw tight L corner pieces located in diagonal direction. And then we assemble supporting bar with screws, please check diagram 2 below. After that, please turn over and screw tight the four corner pieces one by one. Please check diagram 3 below. If found corner piece is not aligned with nut plate preinstalled inside of frame properly, please loosen the fixing screws and do necessary adjustment accordingly before re-tighten the fixing screws.



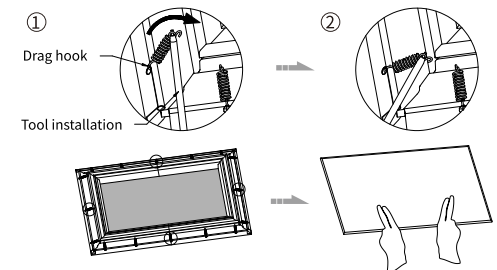
### Screen material installation

**\*There are 2 stickers "UP" and "DOWN" on the back of fabric, it shows the top and bottom of the fabric for installation.**

- Please wear glove provided before assembly of screen material. Lay flat the EPE cotton mat and lay the screen material flat on it. Face the rear side of screen material up. (the rear side looks black and shine). Lay the connected frames as indicated below. The connected frames should be well arranged at the center of screen material. Then insert the tension rods by going through holes on corner of screen material (4 pcs short tension rods are for horizontal frames, while 2 pcs of long ones are for vertical frames). Please check below:



- Hook up one end of the spring with the drag hook on the steel bar at the holes of the screen; firstly hook up the spring at the middle of the vertical frames, then stick the pointed end of the installation tool through the handing hook of the spring (Figure 1), then hook up the other end onto the inner frame (Figure 2). Use the same method to hook up the springs on the horizontal frame to even the screen fabric. Finally spread and hang up the fabric to maintain force uniformity.



Note: If there is some wrinkles appear, please wear the provided gloves and use fingers to gently press and move on edge area of screen material by left hand to the left side and right hand to the right side.

### Installation of frame cover:

- Please assemble the corner cover into horizontal frame covers, and mount the horizontal frame cover onto horizontal frames. And then mount the vertical frame cover onto vertical frames to finished assembly. Please check below:

