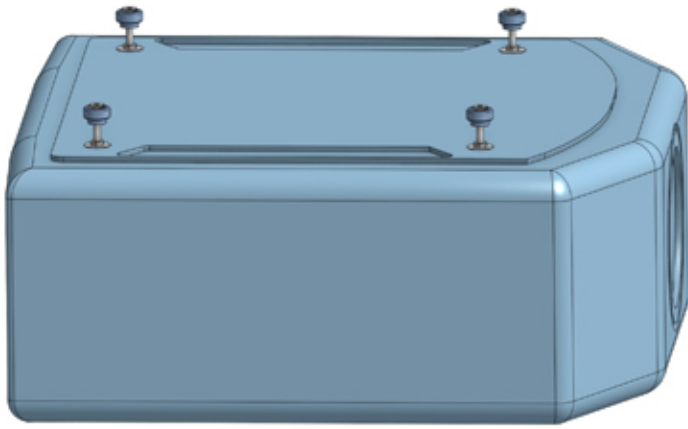


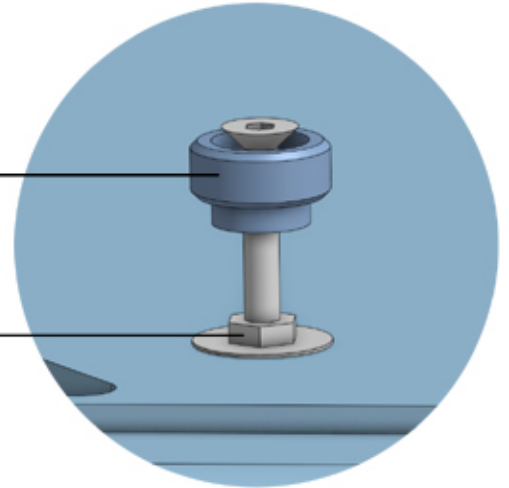
JVC Close Ceiling Mount Instructions



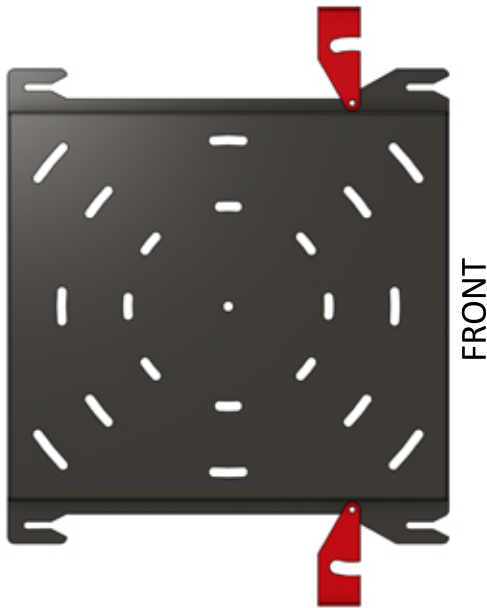
- 1 Remove the four feet from the base of the projector
- 2 Screw in the mounting bolts all the way using the hex head. Make sure the washer is in place. DO NOT OVER TIGHTEN

- 3 Leave thumb screw at the top of the mounting bolt

- 4 Tighten nut against washer to secure mounting bolt



- 5 Fix the bracket to the ceiling with the security latches at the front



- 6 Slide the projector on to the ceiling bracket. Immediately close the security latches and check the projector is mounted correctly.



Turn thumb screws to adjust horizontal and vertical tilt

