



# L52 Classic 5.25in (135mm) 2-way Loudspeaker

## Quick Start Guide



jbl.com/specialty-audio/

### Overview

For more information on the set-up and operation of this product refer to the product page on the [jbl.com/specialty-audio/](http://jbl.com/specialty-audio/) website. Should further assistance be required feel free to contact customer support at the numbers below.

<b>Inside the US and Canada:</b>	+1 888.691.4171
<b>Outside the US and Canada:</b>	+44 1707 668 012

### Box Contents

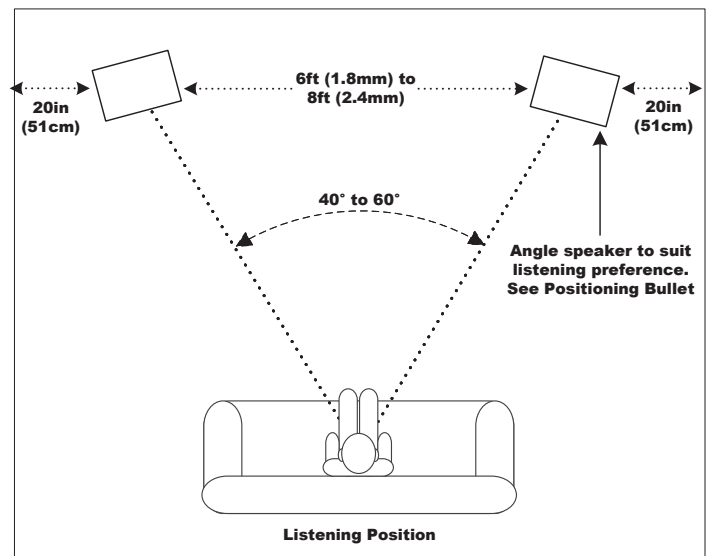
- 2x L52 Classic Edition Loudspeakers
- 2x Quadrex Foam Grilles
- 1x Quick Start Guide (This Document)

### Specifications

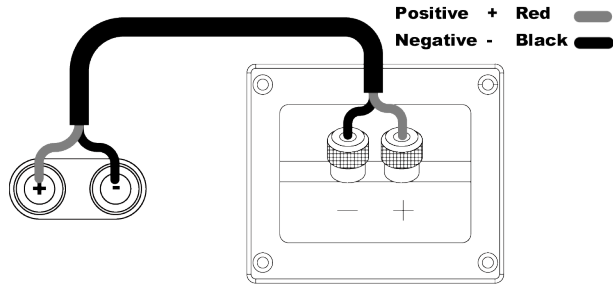
<b>Type:</b>	2-way bookshelf loudspeaker
<b>Low Frequency Driver:</b>	5.25in (135mm) Pure Pulp cone woofer
<b>High Frequency Driver:</b>	0.75in (20mm) Titanium dome tweeter with waveguide
<b>Recommended Amplifier Power:</b>	10 ~ 75W RMS
<b>Impedance:</b>	4 Ohms
<b>Loudspeaker Sensitivity:</b>	85dB (2.83V/1m)
<b>Frequency Response:</b>	47Hz ~ 24kHz (-6 dB)
<b>Crossover Frequency:</b>	2.8kHz
<b>Finish:</b>	<ul style="list-style-type: none"> <li>Natural Walnut veneer with Black, Orange, or Blue Quadrex Foam Grille</li> <li>High Gloss Black with Black Quadrex Foam Grille</li> </ul>
<b>Dimensions (With Grille):</b>	13in H x 7.74in W x 8.51in D (330.2 mm x 196.6 mm x 216.2 mm)
<b>Controls:</b>	HF level control
<b>Input Type:</b>	Gold-plated binding posts
<b>Product Weight (Each):</b>	11 lbs. (5.0 kg)
<b>Shipping Weight:</b>	30.4 lbs. (13.8 kg)
<b>Shipping Units of Measure:</b>	Mirror-imaged stereo pair
<b>Recommended Stand</b>	JBL JS-65 (Sold Separately)
<b>Wall Bracket Spacing/Threads:</b>	M6 x 1.0 thread, 12 mm max screw length Spacing 2.64in (67 mm) center-to-center

### Placement and Positioning

- Before deciding where to place your speakers, survey your room and think about placement, using the illustration as a guide.
- Avoid placing the speakers near power amplifiers, heat registers or other objects that generate large amounts of heat.
- Avoid placing speakers in humid or dusty locations.
- Avoid placing speakers in direct sunlight or other intense light.
- Refer to the illustration for distances from walls, between the speakers, and angle to the listening position.
- The speakers should be raised so that the tweeter is approximately at ear level. The JS-65 speaker stand (sold separately) can be used to achieve the proper listening height.
- Angle the speakers towards the listening position closer to the listeners ears for a stronger center image and away from the listening position further from the listeners ears for a more spacious image.
- The L52 can also be wall mounted via included threaded inserts. Refer to [Wall Mounting](#) for more details.



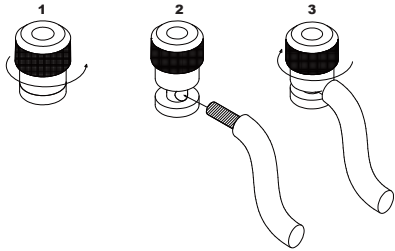
# Wiring and Connections



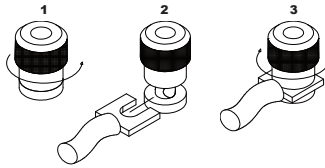
## IMPORTANT! Wiring Precautions

- Ensure that the positive (+) and negative (-) bare wire or spades **DO NOT** touch when connected to the binding posts as this will short out the amplifier channel.
- Ensure that the appropriate polarity is maintained from amplifier to speaker to ensure proper phase for both speakers.

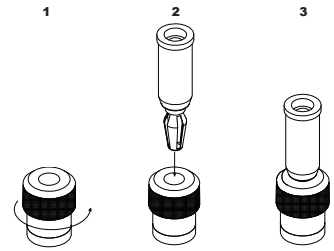
### Bare Wire



### Spade Connector



### Banana Plug



# Controls and Adjustments

This speaker features a HF level control that can be used to adjust the HF level independently from the level of the woofer. The default setting of 0dB represents a flat balance between the woofer and tweeter, however in some cases there may be a need to adjust the level of the tweeter.

- For rooms where the high frequencies sound bright, lower the relative HF level by turning the knob counterclockwise.
- For rooms where the high frequencies sound dim, raise the relative HF level by turning the knob clockwise.

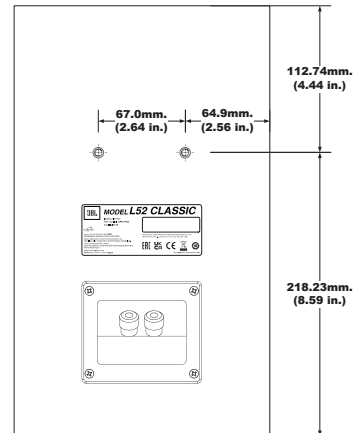


# Wall Mounting

The L52 contains threaded inserts on the rear to allow for the L52 to be wall mounted. A mount is not available from Harman, but the spec below will allow for properly using these threaded inserts.

### Wall Bracket Specifications:

<b>Size:</b>	M6 x 1.0 thread, 12 mm max screw length
<b>Spacing</b>	2.64in (67 mm) center-to-center
<b>Minimum Weight</b>	11 lbs. (5.0 kg)



Harman International Industries, Incorporated.  
8500 Balboa Blvd, Northridge CA 91329 United States.

**European Representative:** Harman International Industries, Incorporated.  
EMEA Liaison Office, Danzigerkade 16G, 1013 AP Amsterdam, The Netherlands.

**UK Business Address:** Ground Floor, Westside 2, London Road, Apsley, Hemel Hempstead, Hertfordshire, HP3 9TD, United Kingdom.  
© 2022 Harman International Industries, Incorporated. All Rights Reserved.

JBL is a trademark of Harman International Industries, Incorporated registered in the United States and other countries.  
Features, Specifications, and Appearance subject to change without notice.

