



# ARCHITECTURAL RANGE

# CONTENTS

## CONCEAL SERIES

C62  
C83  
C86  
C82W  
TECHNICAL SPECIFICATIONS

pg. 03-07  
pg. 04  
pg. 05  
pg. 06  
pg. 07  
pg. 41-42

## STUDIO 6

6IW  
8IW  
66LCR  
88LCR  
THEATER  
TECHNICAL SPECIFICATIONS

pg. 08-13  
pg. 09  
pg. 10  
pg. 11  
pg. 12  
pg. 13  
pg. 43-47

## STUDIO 2

6IC  
8IC  
6ICDT  
6IW  
8IW  
55IW  
88IW  
TECHNICAL SPECIFICATIONS

pg. 14-21  
pg. 15  
pg. 16  
pg. 17  
pg. 18  
pg. 19  
pg. 20  
pg. 21  
pg. 47-50

## STAGE 2

260W  
280W  
250WL  
260C  
280C  
260CDT  
260CSA  
280CSA  
TECHNICAL SPECIFICATIONS

pg. 22-30  
pg. 23  
pg. 24  
pg. 25  
pg. 26  
pg. 27  
pg. 28  
pg. 29  
pg. 30  
pg. 51-54

## B SERIES

6IC  
8IC  
6ICDT  
6IW  
8IW  
TECHNICAL SPECIFICATIONS

pg. 31-36  
pg. 32  
pg. 33  
pg. 34  
pg. 35  
pg. 36  
pg. 55-58

## STAGE XD

Stage XD-5  
Stage XD-6  
TECHNICAL SPECIFICATIONS

pg. 37-39  
pg. 38  
pg. 39  
pg. 59-60



**2023**  
ARCHITECTURAL  
RANGE

# JBL CONCEAL SERIES

The JBL Conceal Series combines patented technologies with JBL's acoustic design to deliver a product that truly disappears into the room. The products in the Conceal Series include a compression molded baffle with a proprietary FidelityGlass™ acoustic panel, an integrated rear enclosure, and advanced transducers and network designs. The products install as easily as a standard drywall patch and feature a paintable surface that can also be custom finished. With a broad hemispherical coverage pattern and no visible components, JBL Conceal Series loudspeakers can be discreetly and optimally located throughout an environment, immersing the listener in great sound that is heard and not seen.



## CONCEAL C62

6.5-inch (165mm) 2-element  
Invisible Loudspeaker

**The JBL Conceal Series are high-performance invisible architectural loudspeakers featuring a single panel design with premium acoustic performance.**

### FEATURES

- / One-piece design with 6.5-inch (165mm) woofer and single-element MF/HF transducer
- / Proprietary FidelityGlass™ acoustic panel and compression molded baffle
- / Custom designed transducers with JBL premium acoustic crossover network
- / Integrated wooden back box enclosure for reduced acoustic intrusion into adjacent spaces
- / Loudspeaker system installs like a standard drywall patch
- / Paintable surface can also be custom finished for complete invisibility

### SPEC

**Description:** 6.5-inch (165mm) 2-element Invisible Loudspeaker

**Nominal Impedance:** 4Ω

**Recommended Amplifier Power:** 50 – 100 Watts RMS

**Sensitivity:** 83 dB/1W/1m measured in-room

**Frequency Response:** 45 Hz – 20 kHz (-6dB) measured in-room

**Driver Technology:** Direct-coupled Transducers (HF) and Acoustic Levered Cone Woofer (LF)

**Panel Size:** (H x W x D): 11-7/8" H x 15-7/8" W x 3-7/8" D (302mm H x 403mm W x 98mm D)

Vist page 42 for product size diagram



# CONCEAL C83

8-inch (200mm) 3-element  
Invisible Loudspeaker

The JBL Conceal Series are high-performance invisible architectural loudspeakers featuring a single panel design with premium acoustic performance.

## FEATURES

- / One-piece design with 8-inch (200mm) woofer and dual MF/HF transducers
- / Proprietary FidelityGlass™ acoustic panel and compression molded baffle
- / Custom designed transducers with JBL premium acoustic crossover network
- / Integrated wooden back box enclosure for reduced acoustic intrusion into adjacent spaces
- / Loudspeaker system installs like a standard drywall patch
- / Paintable surface can also be custom finished for complete invisibility

## SPEC

**Description:** 8-inch (200mm) 3-element Invisible Loudspeaker

**Nominal Impedance:** 4 Ohm

**Recommended Amplifier Power:** 50 – 160 Watts RMS

**Sensitivity:** 84 dB/1W/1m measured in-room

**Frequency Response:** 45 Hz – 20 kHz (-6dB) measured in-room

**Driver Technology:** Direct-coupled Transducers (HF/MF) and Acoustic Levered Cone Woofer (LF)

**Panel Size:** (H x W x D): 22" H x 15-7/8" W x 3-7/8" D (559mm H x 403mm W x 98mm D)

Vist page **42** for product size diagram



# CONCEAL C86

8-inch (200mm) 6-element Dual Panel  
Invisible Loudspeaker

The JBL Conceal Series are high-performance invisible architectural loudspeakers featuring a single panel design with premium acoustic performance.

## FEATURES

- / Two-piece design with 8-inch (200mm) LF panel and separate five-element HF panel
- / Proprietary FidelityGlass™ acoustic panel and compression molded baffle
- / Custom designed transducers with JBL premium acoustic crossover network
- / Integrated back box enclosure
- / Installs like a standard drywall patch
- / Paintable surface can also be custom finished for complete invisibility

## SPEC

**Description:** 2-Panel 6-element 3-way Full Range Invisible Loudspeaker

**Nominal Impedance:** 4Ω

**Recommended Amplifier Power:** 50 – 200 Watts RMS

**Sensitivity:** 84 dB/1W/1m measured in-room

**Frequency Response:** 45 Hz – 20 kHz (-6dB) measured in-room

**Driver Technology:** Direct-coupled Transducers (HF/MF) and Acoustic Levered Cone Woofer (LF)

**Panel Size:** HMF/HF Panel: 11-7/8" H x 15-7/8" W x 3-7/8" D (302mm H x 403mm W x 98mm D)  
LF Panel: 22" H x 15-7/8" W x 3-7/8" D (559mm H x 403mm W x 98mm D)

Vist page **42** for product size diagram



# CONCEAL 82W

Dual 8-inch (200mm) Dual Panel Invisible  
Subwoofer System

The JBL Conceal Series are high-performance invisible architectural loudspeakers featuring a single panel design with premium acoustic performance.

## FEATURES

- / Dual-panel design each with dual 8-inch (200mm) woofers
- / Proprietary FidelityGlass™ acoustic panels and compression molded baffles
- / Integrated wooden back box enclosure for reduced acoustic intrusion into adjacent spaces
- / Loudspeaker system installs like a standard drywall patch
- / Paintable surface can also be custom finished for complete invisibility

## SPEC

**Description:** Dual 8-inch (200mm) Dual Panel Invisible Subwoofer System

**Nominal Impedance:** 8Ω (per pair)

**Recommended Amplifier Power:** 60 – 100 Watts RMS (per panel)

**Sensitivity:** 86 dB/1W/1m measured in-room

**Frequency Response:** 30 Hz – 300 Hz (-6dB) measured in-room

**Driver Technology:** Acoustic Levered Cone Woofers

**Panel Size:** (H x W x D): 30" H x 15-7/8" W x 3-7/8" D (762mm H x 403mm W x 98mm D)

Packed and sold in pairs

Vist page 42 for product size diagram

# JBL STUDIO 6

Feel the drama with JBL Studio 6 architectural speakers. The ultimate cinematic home audio experience. Your sound will stand out, while your speakers blend in. Easy to install and designed with no-frame magnetic, zero-bezel grilles that fit snug with the wall, they let powerful JBL signature sound fill the space, rather than your speakers. With a JBL compression driver straight from the professional world, and integrated treble and bass control, these professional quality, high-performance speakers can be easily adjusted to fit your home.



Studio 6 6IW /  
Page 09

Studio 6 8IW /  
Page 10

Studio 6 66LCR /  
Page 11

Studio 6 88LCR /  
Page 12

Studio 6 Theater /  
Page 13



# STUDIO 6 6IW

6.5-Inch In-Wall Loudspeaker

The JBL Studio 6 architectural speakers are the ultimate cinematic home audio experience.



# STUDIO 6 8IW

8-Inch In-Wall Loudspeaker

The JBL Studio 6 architectural speakers are the ultimate cinematic home audio experience.

## FEATURES

- / JBL compression driver
- / High Definition Imaging (HDI) waveguide
- / Paintable, zero-bezel magnetic grille
- / Polyplas woofer
- / Treble and Bass EQ control

## SPEC

**Impedance:** 6Ω  
**Recommended Amplifier Power:** 25W - 125W  
**Frequency Response:** 45–20kHz  
**Crossover Frequency:** 2.5kHz  
**Loudspeaker Sensitivity:** 91dB  
**Woofer:** 6.5" (165mm) Polyplas® woofer  
**Tweeter:** High Definition Imaging (HDI) Waveguide with 1" (25mm) High Frequency Compression Driver  
**Cutout Dimensions:** 7.1" x 10.8" (180mm x 275mm)  
**Grille Finished Dimensions:** 8.2" x 12" (209mm x 305mm)  
**Mounting Depth:** 3.7" (95mm)

Vist page 45 for product size diagram

## FEATURES

- / JBL compression driver
- / High Definition Imaging (HDI) waveguide
- / Paintable, zero-bezel magnetic grille
- / Polyplas woofer
- / Treble and Bass EQ control

## SPEC

**Impedance:** 6Ω  
**Recommended Amplifier Power:** 25W - 125W  
**Frequency Response:** 43–20kHz  
**Crossover Frequency:** 2.5kHz  
**Loudspeaker Sensitivity:** 93dB  
**Woofer:** 8" (203mm) Polyplas® woofer  
**Tweeter:** High Definition Imaging (HDI) Waveguide with 1" (25mm) High Frequency Compression Driver  
**Cutout Dimensions:** 8.7" x 12.5" (221mm x 318mm)  
**Grille Finished Dimensions:** 9.9" x 13.7" (251mm x 349mm)  
**Mounting Depth:** 3.7" (95mm)

Vist page 45 for product size diagram



# STUDIO 6 66LCR

Dual 6.5-Inch In-Wall Loudspeaker

The JBL Studio 6 architectural speakers are the ultimate cinematic home audio experience.

## SPEC

**Impedance:** 6Ω  
**Recommended Amplifier Power:** 25W - 150W  
**Frequency Response:** 45–20kHz  
**Crossover Frequency:** 2.5kHz  
**Loudspeaker Sensitivity:** 91dB  
**Woofers:** 2 x 6.5" (165mm) Polyplas® woofer  
**Tweeter:** High Definition Imaging (HDI) Waveguide with 1" (25mm) High Frequency Compression Driver  
**Cutout Dimensions:** 7" x 17.4" (180mm x 443mm)  
**Grille Finished Dimensions:** 8.2" x 18.6" (209mm x 473mm)  
**Mounting Depth:** 3.7" (95mm)

Vist page **45** for product size diagram



# STUDIO 6 88LCR

Dual 8-Inch In-Wall Loudspeaker

The JBL Studio 6 architectural speakers are the ultimate cinematic home audio experience.

## SPEC

**Impedance:** 6Ω  
**Recommended Amplifier Power:** 50W - 175W  
**Frequency Response:** 47–20kHz  
**Crossover Frequency:** 2.5kHz  
**Loudspeaker Sensitivity:** 96dB  
**Woofers:** 2 x 8" (203mm) Polyplas® woofer  
**Tweeter:** High Definition Imaging (HDI) Waveguide with 1" (25mm) High Frequency Compression Driver  
**Cutout Dimensions:** 8.7" x 20.4" (221mm x 517mm)  
**Grille Finished Dimensions:** 9.9" x 21.5" (251mm x 547mm)  
**Mounting Depth:** 3.7" (94.5mm)

Vist page **46** for product size diagram

## FEATURES

- / JBL compression driver
- / High Definition Imaging (HDI) waveguide
- / Paintable, zero-bezel magnetic grille
- / Polyplas woofer
- / Treble and Bass EQ control

## FEATURES

- / JBL compression driver
- / High Definition Imaging (HDI) waveguide
- / Paintable, zero-bezel magnetic grille
- / Polyplas woofer
- / Treble and Bass EQ control



# STUDIO 6 THEATER

Quad 5.25-Inch In-Wall Loudspeaker

**The JBL Studio 6 architectural speakers are the ultimate cinematic home audio experience.**

## FEATURES

- / JBL compression driver
- / High Definition Imaging (HDI) waveguide
- / Paintable, zero-bezel magnetic grille
- / Polyplas woofer
- / Treble and Bass EQ control

## SPEC

**Impedance:** 6Ω  
**Recommended Amplifier Power:** 50W - 150W  
**Frequency Response:** 65–20kHz  
**Crossover Frequency:** 2.5kHz  
**Loudspeaker Sensitivity:** 96dB  
**Woofer:** 4 x 5.25" (133mm) Polyplas® woofer  
**Tweeter:** High Definition Imaging (HDI) Waveguide with 1" (25mm) High Frequency Compression Driver  
**Cutout Dimensions:** 6.2" x 25.3" (157mm x 642mm)  
**Grille Finished Dimensions:** 7.4" x 26.5" (188mm x 674mm)  
**Mounting Depth:** 3.7" (94.5mm)

Vist page 46 for product size diagram

## JBL STUDIO 2

The JBL Studio 2 architectural series premium loudspeakers represent best in class architectural audio. A PolyPlas® woofer cone, CMMD® lite tweeter and advanced crossover network ensure low distortion and accurate sound reproduction, and the pivoting, adjustable level tweeter can compensate for any acoustical room conditions. The proprietary JBL High Definition Imaging (HDI) waveguide ensures that the loudspeaker fills the room with cinemaquality sound from any location – even high elevations or off-axis listening locations. The JBL Studio 2 architectural series features a nearly invisible, paintable, zero-bezel profile that blends into any environment. The sturdy, reliable design features the XL-2 bracket, suitable for installation in any wall or ceiling up to 2" thick. The series is engineered to match the award-winning JBL Studio 2 component loudspeakers, and is perfect for a complete custom home theater or whole-house audio applications.



Studio 2 6IC /  
Page 15

Studio 2 8IC /  
Page 16

Studio 2 6ICDT /  
Page 17

Studio 2 6IW /  
Page 18

Studio 2 8IW /  
Page 19

Studio 2 551W /  
Page 20

Studio 2 88IW /  
Page 21





# STUDIO 2 6IC

6.5-Inch In-Ceiling Loudspeaker

The JBL Studio 2 architectural series premium loudspeakers represent best in class architectural audio.

## FEATURES

- / Sound Inspired by JBL's legendary M2 Master Reference Monitor
- / Paintable, nearly invisible zero-bezel magnetic grille
- / Superior XL-2 installation bracket
- / Pivoting Tweeters
- / Tweeter Audio Level Adjustment

## SPEC

**Impedance:** 8Ω

**Recommended Amplifier Power:** 80W

**Frequency Response:** 38Hz - 20kHz

**Crossover Frequency:** 2.5kHz

**Loudspeaker Sensitivity:** 86dB 2.83V @ 1m

**Low Frequency Driver Size and Material:** 6-1/2" (165mm) Polyplas® Woofer

**High Frequency Driver Size and Material:** 1" (25mm) Pivoting CMMD® Lite Tweeter

**Lite Tweeter High Frequency Control:** +/- 3dB

**Cutout Dimensions:** (D) 8" (203mm)

**Grille Finished Dimensions:** (D) 9-3/32" (231mm)

**Mounting Depth:** 4-11/16" (119mm)

**Compatible Wall Material Thickness:** 0.5"-2.0" (12mm-51mm)

Vist page **49** for product size diagram



# STUDIO 2 8IC

8-Inch In-Ceiling Loudspeaker

The JBL Studio 2 architectural series premium loudspeakers represent best in class architectural audio.

## FEATURES

- / Sound Inspired by JBL's legendary M2 Master Reference Monitor
- / Paintable, nearly invisible zero-bezel magnetic grille
- / Superior XL-2 installation bracket
- / Pivoting Tweeters
- / Tweeter Audio Level Adjustment

## SPEC

**Impedance:** 8Ω

**Recommended Amplifier Power:** 100W

**Frequency Response:** 30Hz - 20kHz

**Crossover Frequency:** 2.1kHz

**Loudspeaker Sensitivity:** 88dB 2.83V @ 1m

**Low Frequency Driver Size and Material:** 8" (203mm) Polyplas® Woofer

**High Frequency Driver Size and Material:** 1" (25mm) Pivoting CMMD® Lite Tweeter

**Lite Tweeter High Frequency Control:** +/- 3dB

**Cutout Dimensions:** (D) 9-5/8" (244mm)

**Grille Finished Dimensions:** (D) 10-11/16" (272mm)

**Mounting Depth:** 5-13/64" (132mm)

**Compatible Wall Material Thickness:** 0.5"-2.0" (12mm-51mm)

Vist page **49** for product size diagram



# STUDIO 2 6ICDT

6.5-Inch Dual-Tweeter In-Ceiling Loudspeaker

The JBL Studio 2 architectural series premium loudspeakers represent best in class architectural audio.



# STUDIO 2 6IW

6.5-Inch In-Wall Loudspeaker

The JBL Studio 2 architectural series premium loudspeakers represent best in class architectural audio.

## FEATURES

- / Sound Inspired by JBL's legendary M2 Master Reference Monitor
- / Paintable, nearly invisible zero-bezel magnetic grille
- / Superior XL-2 installation bracket
- / Pivoting Tweeters
- / Tweeter Audio Level Adjustment

## SPEC

**Impedance:** 8Ω  
**Recommended Amplifier Power:** 80W  
**Frequency Response:** 38Hz - 20kHz  
**Crossover Frequency:** 3.7kHz  
**Loudspeaker Sensitivity:** 86dB 2.83V @ 1m  
**Low Frequency Driver Size and Material:** 6-1/2" (165mm) Polyplas® Woofer  
**High Frequency Driver Size and Material:** 2 x 3/4" (19mm) Pivoting CMMD® Lite Tweeter  
**Lite Tweeter High Frequency Control:** +/- 3dB  
**Cutout Dimensions:** (D) 8" (203mm)  
**Grille Finished Dimensions:** (D) 9-3/32" (231mm)  
**Mounting Depth:** 4-11/16" (119mm)  
**Compatible Wall Material Thickness:** 0.5"-2.0" (12mm-51mm)

Vist page **49** for product size diagram

## FEATURES

- / Sound Inspired by JBL's legendary M2 Master Reference Monitor
- / Paintable, nearly invisible zero-bezel magnetic grille
- / Superior XL-2 installation bracket
- / Pivoting Tweeters
- / Tweeter Audio Level Adjustment

## SPEC

**Impedance:** 8Ω  
**Recommended Amplifier Power:** 80W  
**Frequency Response:** 38Hz - 20kHz  
**Crossover Frequency:** 3.0kHz  
**Loudspeaker Sensitivity:** 86dB 2.83V @ 1m  
**Low Frequency Driver Size and Material:** 6-1/2" (165mm) Polyplas® Woofer  
**High Frequency Driver Size and Material:** 1" (25mm) Pivoting CMMD® Lite Tweeter  
**Lite Tweeter High Frequency Control:** +/- 3dB  
**Cutout Dimensions:** (H x W) 9-13/16" x 7-9/32" (249mm x 212mm)  
**Grille Finished Dimensions:** (H x W) 10-7/8" x 8-11/32" (276mm x 212mm)  
**Mounting Depth:** 3-19/32" (91mm)  
**Compatible Wall Material Thickness:** 0.5"-2.0" (12mm-51mm)

Vist page **50** for product size diagram



# STUDIO 2

## 81W

8-Inch In-Wall Loudspeaker

The JBL Studio 2 architectural series premium loudspeakers represent best in class architectural audio.



# STUDIO 2

## 551W

Dual 5.25-Inch In-Wall Loudspeaker

The JBL Studio 2 architectural series premium loudspeakers represent best in class architectural audio.

## FEATURES

- / Sound Inspired by JBL's legendary M2 Master Reference Monitor
- / Paintable, nearly invisible zero-bezel magnetic grille
- / Superior XL-2 installation bracket
- / Pivoting Tweeters
- / Tweeter Audio Level Adjustment

## SPEC

**Impedance:** 8Ω

**Recommended Amplifier Power:** 100W

**Frequency Response:** 30Hz - 20kHz

**Crossover Frequency:** 2.8kHz

**Loudspeaker Sensitivity:** 88dB 2.83V @ 1m

**Low Frequency Driver Size and Material:** 8" (203mm) Polyplas® Woofer

**High Frequency Driver Size and Material:** 1" (25mm) Pivoting CMMD® Lite Tweeter

**Lite Tweeter High Frequency Control:** +/- 3dB

**Cutout Dimensions:** (H x W) 11-15/16" x 8-15/16" (303mm x 227mm)

**Grille Finished Dimensions:** (H x W) 13" x 10" (330mm x 254mm)

**Mounting Depth:** 3-13/16" (97mm)

**Compatible Wall Material Thickness:** 0.5"-2.0" (12mm-51mm)

Vist page **50** for product size diagram

## FEATURES

- / Sound Inspired by JBL's legendary M2 Master Reference Monitor
- / Paintable, nearly invisible zero-bezel magnetic grille
- / Superior XL-2 installation bracket
- / Pivoting Tweeters
- / Tweeter Audio Level Adjustment

## SPEC

**Impedance:** 8Ω

**Recommended Amplifier Power:** 120W

**Frequency Response:** 40Hz - 20kHz

**Crossover Frequency:** 2.7kHz

**Loudspeaker Sensitivity:** 88dB 2.83V @ 1m

**Low Frequency Driver Size and Material:** Dual 5-1/4" (133mm) Polyplas® Woofer

**High Frequency Driver Size and Material:** 1" (25mm) Pivoting CMMD® Lite Tweeter

**Lite Tweeter High Frequency Control:** +/- 3dB

**Cutout Dimensions:** (H x W) 14-1/8" x 6-13/32" (359mm x 163mm)

**Grille Finished Dimensions:** (H x W) 15-1/8" x 7-13/32" (384mm x 188mm)

**Mounting Depth:** 3.0" (76mm)

**Compatible Wall Material Thickness:** 0.5"-2.0" (12mm-51mm)

Vist page **50** for product size diagram



# STUDIO 2 881W

Dual 8-Inch In-Wall Loudspeaker

The JBL Studio 2 architectural series premium loudspeakers represent best in class architectural audio.

## FEATURES

- / Premium In-Wall Loudspeaker with 2 x 8" Woofers
- / Sound Inspired by JBL's legendary M2 Master Reference Monitor
- / Paintable, nearly invisible zero-bezel magnetic grille
- / Superior XL-2 installation bracket
- / Pivoting Tweeters
- / Tweeter Audio Level Adjustment

## SPEC

- Impedance:** 8Ω
- Recommended Amplifier Power:** 150W
- Frequency Response:** 30Hz - 20kHz
- Crossover Frequency:** 2.8kHz
- Loudspeaker Sensitivity:** 88dB 2.83V @ 1m
- Low Frequency Driver Size and Material:** 8" (203mm) Polyplas® Woofer
- High Frequency Driver Size and Material:** 1" (25mm) Pivoting CMMD® Lite Tweeter
- Lite Tweeter High Frequency Control:** +/- 3dB
- Cutout Dimensions:** (H x W) 20-1/16" x 9" (510mm x 227mm)
- Grille Finished Dimensions:** (H x W) 21-3/16" x 10" (538mm x 254mm)
- Mounting Depth:** 3-13/16" (96mm)
- Compatible Wall Material Thickness:** 0.5"-2.0" (12mm-51mm)

Vist page 50 for product size diagram

# JBL STAGE 2

The Stage Architectural Series was designed to deliver iconic JBL sound that blends into the environment so that the music stands out. All models are crafted to be visually discrete with zero bezel grilles and easy installation allowing these speakers to be heard and not seen. Elements including baffles with acoustic smoothing, acoustic lens tweeters, and patented High-Definition Imaging (HDI™) horns have been incorporated into the design to ensure that the sound is clear and accurate. A range of eight models are available in various configurations for In-Wall and In-Ceiling installation.



Stage 2  
260W /  
Page 23

Stage 2  
280W /  
Page 24

Stage 2  
250WL /  
Page 25

Stage 2  
260C /  
Page 26

Stage 2  
280C /  
Page 27

Stage 2  
260CDT /  
Page 28

Stage 2  
260CSA /  
Page 29

Stage 2  
280CSA /  
Page 30



# STAGE 2 260W

6.5-inch In-Wall Loudspeaker

A range of eight models designed to deliver iconic JBL sound that blends into the environment so that the music stands out.

## FEATURES

- / Rigid Baffle design with acoustic smoothing for improved transducer integration
- / Aluminum Dome Tweeters with Acoustic Lens for smooth on and off axis frequency response
- / High-Definition Imaging (HDI™) horns with optimized geometry for smooth dispersion and low distortion
- / Harman target curve acoustic performance for smooth accurate sound over a large listening area
- / Zero bezel metal grille installs flush to wall or ceiling for clean inconspicuous appearance
- / XL-2 installation system compatible with up to 2" (50mm) thick wall/ceiling material

## SPEC

**High Frequency Transducer:** 1" (25mm) Aluminum dome with High-Definition Imaging (HDI™) horn

**Low Frequency Transducer:** 6.5" (165mm) Polycellulose cone woofer

**Recommended Power:** 20-100W RMS

**Frequency Response:** 50Hz-25kHz (-6dB on-axis)

**Sensitivity (2.83V@1m):** 87dB

**Impedance:** 8Ω

**Crossover Frequency:** 1900Hz

**Inputs:** Nickel-plated spring-loaded connectors

**Grille Dimensions:** H: 19.5in (496mm) x W: 7.6in (194mm)

**Cutout Dimensions:** H: 12.2in (311mm) x W: 7.2in (184mm)

**Mounting Depth:** 3.8in (96mm)

Vist page **53** for product size diagram



# STAGE 2 280W

8-Inch In-Wall Loudspeaker

A range of eight models designed to deliver iconic JBL sound that blends into the environment so that the music stands out.

## FEATURES

- / Rigid Baffle design with acoustic smoothing for improved transducer integration
- / Aluminum Dome Tweeters with Acoustic Lens for smooth on and off axis frequency response
- / High-Definition Imaging (HDI™) horns with optimized geometry for smooth dispersion and low distortion
- / Harman target curve acoustic performance for smooth accurate sound over a large listening area
- / Zero bezel metal grille installs flush to wall or ceiling for clean inconspicuous appearance
- / XL-2 installation system compatible with up to 2" (50mm) thick wall/ceiling material

## SPEC

**High Frequency Transducer:** 1" (25mm) Aluminum dome with High-Definition Imaging (HDI™) horn

**Low Frequency Transducer:** 8" (200mm) Polycellulose cone woofer

**Recommended Power:** 20-120W RMS

**Frequency Response:** 42Hz-25kHz (-6dB on-axis)

**Sensitivity (2.83V@1m):** 90dB

**Impedance:** 8Ω

**Crossover Frequency:** 1700Hz

**Inputs:** Nickel-plated spring-loaded connectors

**Grille Dimensions:** H: 13.3in (339mm) x W: 8.5in (217mm)

**Cutout Dimensions:** H: 14.6in (372mm) x W: 9.4in (238mm)

**Mounting Depth:** 3.6in (92mm)

Vist page **53** for product size diagram



# STAGE 2 250WL

Dual 5.25-Inch In-Wall Loudspeaker

A range of eight models designed to deliver iconic JBL sound that blends into the environment so that the music stands out.

## FEATURES

- / Rigid Baffle design with acoustic smoothing for improved transducer integration
- / Aluminum Dome Tweeters with Acoustic Lens for smooth on and off axis frequency response
- / High-Definition Imaging (HDI™) horns with optimized geometry for smooth dispersion and low distortion
- / Harman target curve acoustic performance for smooth accurate sound over a large listening area
- / Zero bezel metal grille installs flush to wall or ceiling for clean inconspicuous appearance
- / XL-2 installation system compatible with up to 2" (50mm) thick wall/ceiling material

## SPEC

**High Frequency Transducer:** 1" (25mm) Aluminum dome with High-Definition Imaging (HDI™) horn

**Low Frequency Transducer:** Dual 5.25" (130mm) Polycellulose cone woofer

**Recommended Power:** 20-120W RMS

**Frequency Response:** 52Hz-25kHz (-6dB on-axis)

**Sensitivity (2.83V@1m):** 90dB

**Impedance:** 8Ω

**Crossover Frequency:** 2100Hz

**Inputs:** Nickel-plated spring-loaded connectors

**Grille Dimensions:** H: 15.7in (400mm) x W 10.5in (266mm)

**Cutout Dimensions:** 18.1in (460mm) x W: 6.4in (162mm)

**Mounting Depth:** 3.9in (98mm)

Vist page **53** for product size diagram



# STAGE 2 260C

6.5-Inch In-Ceiling Loudspeaker

A range of eight models designed to deliver iconic JBL sound that blends into the environment so that the music stands out.

## FEATURES

- / Rigid Baffle design with acoustic smoothing for improved transducer integration
- / Aluminum Dome Tweeters with Acoustic Lens for smooth on and off axis frequency response
- / High-Definition Imaging (HDI™) horns with optimized geometry for smooth dispersion and low distortion
- / Harman target curve acoustic performance for smooth accurate sound over a large listening area
- / Zero bezel metal grille installs flush to wall or ceiling for clean inconspicuous appearance
- / XL-2 installation system compatible with up to 2" (50mm) thick wall/ceiling material

## SPEC

**High Frequency Transducer:** 1" (25mm) Aluminum dome with Acoustic Lens

**Low Frequency Transducer:** 6.5" (165mm) Polycellulose cone woofer

**Recommended Power:** 20-100W RMS

**Frequency Response:** 50Hz-25kHz (-6dB on-axis)

**Sensitivity (2.83V@1m):** 87dB

**Impedance:** 8Ω

**Crossover Frequency:** 3000Hz

**Inputs:** Nickel-plated spring-loaded connectors

**Grille Dimensions:** Dia: 9.2in (233mm)

**Cutout Dimensions:** Dia: 8in (203mm)

**Mounting Depth:** 3.9in (100mm)

Vist page **53** for product size diagram



# STAGE 2 280C

8-Inch In-Ceiling Loudspeaker

A range of eight models designed to deliver iconic JBL sound that blends into the environment so that the music stands out.



# STAGE 2 260CDT

6.5-Inch Dual-Tweeter In-Ceiling Loudspeaker

A range of eight models designed to deliver iconic JBL sound that blends into the environment so that the music stands out.

## FEATURES

- / Rigid Baffle design with acoustic smoothing for improved transducer integration
- / Aluminum Dome Tweeters with Acoustic Lens for smooth on and off axis frequency response
- / High-Definition Imaging (HDI™) horns with optimized geometry for smooth dispersion and low distortion
- / Harman target curve acoustic performance for smooth accurate sound over a large listening area
- / Zero bezel metal grille installs flush to wall or ceiling for clean inconspicuous appearance
- / XL-2 installation system compatible with up to 2" (50mm) thick wall/ceiling material

## SPEC

**High Frequency Transducer:** 1" (25mm) Aluminum dome with Acoustic Lens

**Low Frequency Transducer:** 8" (200mm) Polycellulose cone woofer

**Recommended Power:** 20-120W RMS

**Frequency Response:** 42Hz-25kHz (-6dB on-axis)

**Sensitivity (2.83V@1m):** 90dB

**Impedance:** 8Ω

**Crossover Frequency:** 3400Hz

**Inputs:** Nickel-plated spring-loaded connectors

**Grille Dimensions:** Dia: 10.8in (275mm)

**Cutout Dimensions:** Dia: 9.6in (244mm)

**Mounting Depth:** 4.3in (108mm)

Vist page **54** for product size diagram

## FEATURES

- / Rigid Baffle design with acoustic smoothing for improved transducer integration
- / Aluminum Dome Tweeters with Acoustic Lens for smooth on and off axis frequency response
- / High-Definition Imaging (HDI™) horns with optimized geometry for smooth dispersion and low distortion
- / Harman target curve acoustic performance for smooth accurate sound over a large listening area
- / Zero bezel metal grille installs flush to wall or ceiling for clean inconspicuous appearance
- / XL-2 installation system compatible with up to 2" (50mm) thick wall/ceiling material

## SPEC

**High Frequency Transducer:** Dual 3/4" (20mm) Aluminum dome with Acoustic Lens

**Low Frequency Transducer:** Dual VC 6.5" (165mm) Polycellulose cone woofer

**Recommended Power:** 20-75W RMS

**Frequency Response:** 50Hz-25kHz (-6dB on-axis)

**Sensitivity (2.83V@1m):** 90dB

**Impedance:** 8Ω

**Crossover Frequency:** 2900Hz

**Inputs:** Nickel-plated spring-loaded connectors

**Grille Dimensions:** Dia: 9.2in (233mm)

**Cutout Dimensions:** Dia: 8in (203mm)

**Mounting Depth:** 4.2in (106mm)

Vist page **54** for product size diagram



# STAGE 2 260CSA

6.5-Inch In-Ceiling Loudspeaker

A range of eight models designed to deliver iconic JBL sound that blends into the environment so that the music stands out.

## FEATURES

- / Rigid Baffle design with acoustic smoothing for improved transducer integration
- / Aluminum Dome Tweeters with Acoustic Lens for smooth on and off axis frequency response
- / High-Definition Imaging (HDI™) horns with optimized geometry for smooth dispersion and low distortion
- / Harman target curve acoustic performance for smooth accurate sound over a large listening area
- / Zero bezel metal grille installs flush to wall or ceiling for clean inconspicuous appearance
- / XL-2 installation system compatible with up to 2" (50mm) thick wall/ceiling material

## SPEC

**High Frequency Transducer:** 1" (25mm) Aluminum dome with Acoustic Lens

**Low Frequency Transducer:** 6.5" (165mm) Polycellulose cone woofer

**Recommended Power:** 20-100W RMS

**Frequency Response:** 50Hz-25kHz (-6dB on-axis)

**Sensitivity (2.83V@1m):** 87dB

**Impedance:** 8Ω

**Crossover Frequency:** 2800Hz

**Inputs:** Nickel-plated spring-loaded connectors

**Grille Dimensions:** H 9.8in (248mm) x W 9.8in (248mm)

**Cutout Dimensions:** H: 8.6in (219mm) x W: 8.6in (219mm)

**Mounting Depth:** 5in (127mm)

Vist page **54** for product size diagram



# STAGE 2 280CSA

8-Inch In-Ceiling Loudspeaker

A range of eight models designed to deliver iconic JBL sound that blends into the environment so that the music stands out.

## FEATURES

- / Rigid Baffle design with acoustic smoothing for improved transducer integration
- / Aluminum Dome Tweeters with Acoustic Lens for smooth on and off axis frequency response
- / High-Definition Imaging (HDI™) horns with optimized geometry for smooth dispersion and low distortion
- / Harman target curve acoustic performance for smooth accurate sound over a large listening area
- / Zero bezel metal grille installs flush to wall or ceiling for clean inconspicuous appearance
- / XL-2 installation system compatible with up to 2" (50mm) thick wall/ceiling material

## SPEC

**High Frequency Transducer:** 1" (25mm) Aluminum dome with Acoustic Lens

**Low Frequency Transducer:** 8" (200mm) Polycellulose cone woofer

**Recommended Power:** 20-120W RMS

**Frequency Response:** 42Hz-25kHz (-6dB on-axis)

**Sensitivity (2.83V@1m):** 90dB

**Impedance:** 8Ω

**Crossover Frequency:** 2900Hz

**Inputs:** Nickel-plated spring-loaded connectors

**Grille Dimensions:** H 11.4in (289mm) x W 11.4in (289mm)

**Cutout Dimensions:** H: 10.2in (260mm) x W: 10.2in (260mm)

**Mounting Depth:** 5.4in (138mm)

Vist page **54** for product size diagram



# JBL B-SERIES

Introducing the JBL B-Series architectural loudspeakers. Designed with paintable grilles to blend into your décor and crafted for wide sound dispersion, the JBL B-Series loudspeakers feature a modern, virtually invisible design, powerful JBL Signature sound and are easy to install. Built to last with quality materials including a moisture-resistant design, which are perfect for bathroom installations, the JBL B-Series loudspeakers also deliver high power handling and sensitivity for full sound.



## B SERIES 6IC

6.5-inch In-Ceiling Loudspeaker

The JBL B-Series loudspeakers feature a modern, virtually invisible design, powerful JBL Signature sound and are easy to install. Built to last with quality materials including a moisture-resistant design, which are perfect for bathroom installations.

### FEATURES

- / Powerful JBL sound quality. Immerse yourself in an amazing room-filling audio experience.
- / Easy installation. The standard 'dog-leg' brackets save installation time and provide a sturdy, reliable fit
- / Zero bezel grille. Seamlessly blends them into the room ceiling and wall
- / Wide sound dispersion. Experience room filling audio regardless of what angle the speakers are installed

### SPEC

**Nominal Impedance:** 4Ω

**Power (RMS/Peak):** 35/140W

**Frequency Response:** 50Hz – 20kHz

**Loudspeaker Sensitivity:** 90dB

**Woofer:** 6.5" (165mm) Poly woofer

**Tweeter:** 0.5" (13mm) Polymer Tweeter

**Cutout Dimensions:** 7.9" (202mm)

**Grille Finished Dimensions:** 9.1" (232mm)

**Mounting Depth:** 3.6" (92mm)

Vist page 57 for product size diagram



B-Series **B-6IC** /  
Page 32

B-Series **B-8IC** /  
Page 33

B-Series **B-6ICDT** /  
Page 34

B-Series **B-6IW** /  
Page 35

B-Series **B-8IW** /  
Page 36



## B SERIES 81C

8-inch In-Ceiling Loudspeaker

The JBL B-Series loudspeakers feature a modern, virtually invisible design, powerful JBL Signature sound and are easy to install. Built to last with quality materials including a moisture-resistant design, which are perfect for bathroom installations.



## B SERIES 61CDT

6.5-inch Dual-tweeter In-ceiling Loudspeaker

The JBL B-Series loudspeakers feature a modern, virtually invisible design, powerful JBL Signature sound and are easy to install. Built to last with quality materials including a moisture-resistant design, which are perfect for bathroom installations.

### FEATURES

- / Powerful JBL sound quality. Immerse yourself in an amazing room-filling audio experience.
- / Easy installation. The standard 'dog-leg' brackets save installation time and provide a sturdy, reliable fit
- / Zero bezel grille. Seamlessly blends them into the room ceiling and wall
- / Wide sound dispersion. Experience room filling audio regardless of what angle the speakers are installed

### SPEC

**Nominal Impedance:** 4Ω  
**Power (RMS/Peak):** 40/160W  
**Frequency Response:** 45Hz – 20kHz  
**Loudspeaker Sensitivity:** 92dB  
**Woofers:** 8" (203mm) Poly woofer  
**Tweeter:** 0.5" (13mm) Polymer Tweeter  
**Cutout Dimensions:** 9.6" (243mm)  
**Grille Finished Dimensions:** 10.7" (272mm)  
**Mounting Depth:** 3.9" (100mm)

Vist page **57** for product size diagram

### FEATURES

- / Powerful JBL sound quality. Immerse yourself in an amazing room-filling audio experience.
- / Easy installation. The standard 'dog-leg' brackets save installation time and provide a sturdy, reliable fit
- / Zero bezel grille. Seamlessly blends them into the room ceiling and wall
- / Wide sound dispersion. Experience room filling audio regardless of what angle the speakers are installed

### SPEC

**Nominal Impedance:** 4Ω  
**Power (RMS/Peak):** 35/140W  
**Frequency Response:** 50Hz – 20kHz  
**Loudspeaker Sensitivity:** 90dB  
**Woofers:** 6.5" (165mm) Poly woofer  
**Tweeter:** 0.5" (13mm) Polymer Tweeter  
**Cutout Dimensions:** 7.9" (202mm)  
**Grille Finished Dimensions:** 9.1" (232mm)  
**Mounting Depth:** 3.6" (92mm)

Vist page **57** for product size diagram



## B SERIES 6IW

6.5-inch In-Wall Loudspeaker

The JBL B-Series loudspeakers feature a modern, virtually invisible design, powerful JBL Signature sound and are easy to install. Built to last with quality materials including a moisture-resistant design, which are perfect for bathroom installations.



## B SERIES 8IW

8-inch In-Wall Loudspeaker

The JBL B-Series loudspeakers feature a modern, virtually invisible design, powerful JBL Signature sound and are easy to install. Built to last with quality materials including a moisture-resistant design, which are perfect for bathroom installations.

### FEATURES

- / Powerful JBL sound quality. Immerse yourself in an amazing room-filling audio experience.
- / Easy installation. The standard 'dog-leg' brackets save installation time and provide a sturdy, reliable fit
- / Zero bezel grille. Seamlessly blends them into the room ceiling and wall
- / Wide sound dispersion. Experience room filling audio regardless of what angle the speakers are installed

### SPEC

**Nominal Impedance:** 4Ω  
**Power (RMS/Peak):** 40/160W  
**Frequency Response:** 50Hz – 20kHz  
**Loudspeaker Sensitivity:** 91dB  
**Woofers:** 6.5" (165mm) Poly woofer  
**Tweeter:** 0.5" (13mm) Polymer Tweeter  
**Cutout Dimensions:** 9.7" x 7.2" (246mm x 182mm)  
**Grille Finished Dimensions:** 8.4" x 10.9" (213mm x 277mm)  
**Mounting Depth:** 3.3" (84mm)

Vist page **58** for product size diagram

### FEATURES

- / Powerful JBL sound quality. Immerse yourself in an amazing room-filling audio experience.
- / Easy installation. The standard 'dog-leg' brackets save installation time and provide a sturdy, reliable fit
- / Zero bezel grille. Seamlessly blends them into the room ceiling and wall
- / Wide sound dispersion. Experience room filling audio regardless of what angle the speakers are installed

### SPEC

**Nominal Impedance:** 4Ω  
**Power (RMS/Peak):** 45/160W  
**Frequency Response:** 45Hz – 20kHz  
**Loudspeaker Sensitivity:** 91dB  
**Woofers:** 8" (203mm) Poly woofer  
**Tweeter:** 0.5" (13mm) Polymer Tweeter  
**Cutout Dimensions:** 11.7" x 8.8" (299mm x 223mm)  
**Grille Finished Dimensions:** 10" x 12.9" (255mm x 329mm)  
**Mounting Depth:** 3.7" (96mm)

Vist page **58** for product size diagram

# JBL STAGE XD

Stage XD Series loudspeakers are designed to work in a wide variety of applications both indoors and outdoors. Their unique combination of features and patented acoustic technology instills them with extreme durability while delivering the highest level of audio. Elements including acoustic lens Aluminum dome tweeters, and patented High-Definition Imaging (HDI™) waveguides have been incorporated into the design to ensure that the sound is clear and accurate. Stage XD Series loudspeakers are available in 2 sizes featuring 5.25" (130mm) or 6.5" (165mm) Polypropylene Graphite Filled Cone Woofer. The IP67-rated waterproof enclosures are available in black or white finishes and wall-mount brackets are included to support a variety of installation options.



Stage XD-5 /  
Page 38

Stage XD-6 /  
Page 39

## STAGE XD-5

5.25-Inch Indoor/Outdoor All  
Weather Loudspeaker



Stage XD Series loudspeakers are designed to work in a wide variety of applications both indoors and outdoors. Their unique combination of features and patented acoustic technology instills them with extreme durability while delivering the highest level of audio.

### FEATURES

- / IP67 Waterproof rating provides protection from the harshest of outdoor conditions
- / Aluminum Dome Tweeters with Acoustic Lens for smooth on and off axis frequency response
- / High-Definition Imaging (HDI™) waveguides with optimized geometry for smooth dispersion and low distortion
- / Included wall-mount bracket allows for easy installation and angle adjustment
- / Zero bezel magnetically attached grilles
- / Rotatable logo for horizontal and vertical applications
- / Sustainably designed packaging and product – the first repairable IP67 outdoor loudspeaker

### SPEC

**Weatherproof Rating:** IP67

**High Frequency Transducer:** 1" (25mm) Aluminum dome with High-Definition Imaging (HDI™) waveguide

**Low Frequency Transducer:** 5.25" (130mm) Polypropylene Cone Woofer

**Impedance:** 6Ω

**Loudspeaker Sensitivity:** 86dB

**Recommended Amplifier Power:** 20-100W RMS

**Frequency Response:** (-6dB On-Axis): 75Hz-25kHz

**Crossover Frequency:** 2500K

**Operating Temperature:** -35° C (-31° F) to 75° C (167°F)

**Product Dimensions (HxWxD):** 9.84in (249.9mm) x 7.17in (182.1mm) X 6.37in (161.8mm)

**Weight:** 2.3lbs (5kg)

**Wall Mount Extension:** 2.8in (71mm)

Vist page 60 for product size diagram

# STAGE XD-6

6.5-Inch Indoor/Outdoor  
All Weather Loudspeaker

Stage XD Series loudspeakers are designed to work in a wide variety of applications both indoors and outdoors. Their unique combination of features and patented acoustic technology instills them with extreme durability while delivering the highest level of audio.



## FEATURES

- / IP67 Waterproof rating provides protection from the harshest of outdoor conditions
- / Aluminum Dome Tweeters with Acoustic Lens for smooth on and off axis frequency response
- / High-Definition Imaging (HDI™) waveguides with optimized geometry for smooth dispersion and low distortion
- / Included wall-mount bracket allows for easy installation and angle adjustment
- / Zero bezel magnetically attached grilles
- / Rotatable logo for horizontal and vertical applications
- / Sustainably designed packaging and product – the first repairable IP67 outdoor loudspeaker

## SPEC

**Weatherproof Rating:** IP67

**High Frequency Transducer:** 1" (25mm) Aluminum dome with High-Definition Imaging (HDI™) waveguide

**Low Frequency Transducer:** 6.5" (165mm) Polypropylene Cone Woofer

**Impedance:** 6Ω

**Loudspeaker Sensitivity:** 88dB

**Recommended Amplifier Power:** 20-100W RMS

**Frequency Response:** (-6dB On-Axis): 55Hz-25kHz

**Crossover Frequency:** 2500K

**Operating Temperature:** -35° C (-31° F) to 75° C (167°F)

**Product Dimensions (HxWxD):** 11.77in (299mm) x 8.73in (221.8mm) X 7.64in (194.1mm)

**Weight:** 2.9lbs (6.5kg)

**Wall Mount Extension:** 2.8in (71mm)

Visit page **60** for product size diagram

# TECHNICAL SPECIFICATIONS

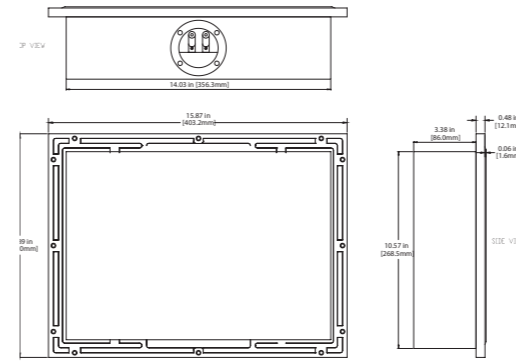
# CONCEAL SERIES / TECHNICAL SPECIFICATIONS

## C62

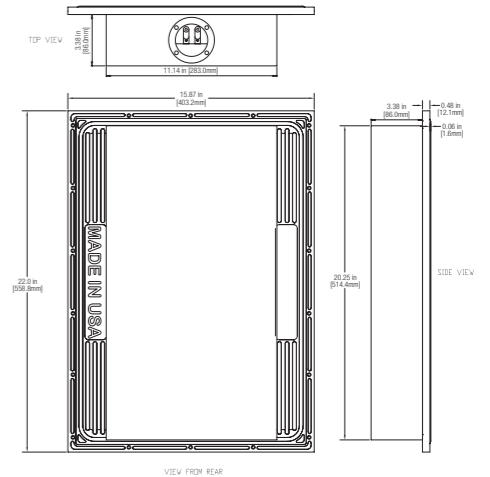
## C83

<b>Description:</b>	6.5-inch (165mm) 2-element Invisible Loudspeaker	8-inch (200mm) 3-element Invisible Loudspeaker
<b>Impedance:</b>	4Ω	4Ω
<b>Recommended Amplifier Power:</b>	50 – 100 Watts RMS	50 – 160 Watts RMS
<b>Sensitivity:</b>	83 dB/1W/1m measured in-room	84 dB/1W/1m measured in-room
<b>Frequency Response:</b>	45 Hz – 20 kHz (-6dB) measured in-room	45 Hz – 20 kHz (-6dB) measured in-room
<b>Driver Technology:</b>	Direct-coupled Transducers (HF) and Acoustic Levered Cone Woofer (LF)	Direct-coupled Transducers (HF/MF) and Acoustic Levered Cone Woofer (LF)
<b>Panel Size:</b>	(302mm H x 403mm W x 98mm D)	(559mm H x 403mm W x 98mm D)
<b>Packed and sold in pairs</b>		

## C62



## C83

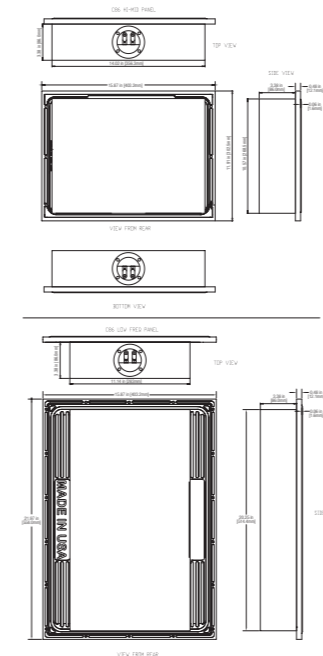


## C86

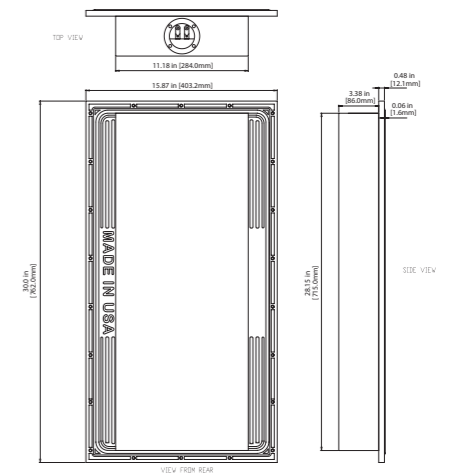
## C82W

<b>Description:</b>	2-Panel 6-element 3-way Full Range Invisible Loudspeaker	Dual 8-inch (200mm) Dual Panel Invisible Subwoofer System
<b>Impedance:</b>	4Ω	8Ω (per pair)
<b>Recommended Amplifier Power:</b>	50 – 200 Watts RMS	60 – 100 Watts RMS (per panel)
<b>Sensitivity:</b>	84 dB/1W/1m measured in-room	86 dB/1W/1m measured in-room
<b>Frequency Response:</b>	45 Hz – 20 kHz (-6dB) measured in-room	30 Hz – 300 Hz (-6dB) measured in-room
<b>Driver Technology:</b>	Direct-coupled Transducers (HF/MF) and Acoustic Levered Cone Woofer (LF)	Acoustic Levered Cone Woofers
<b>Panel Size:</b>	MF/HF Panel: (302mm H x 403mm W x 98mm D) LF Panel: (559mm H x 403mm W x 98mm D)	(762mm H x 403mm W x 98mm D)
<b>Packed and sold in pairs</b>		Packed and sold in pairs

## C86



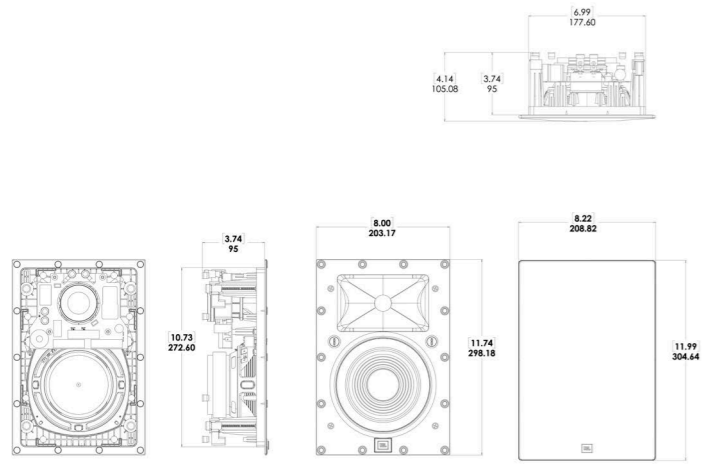
## C82W



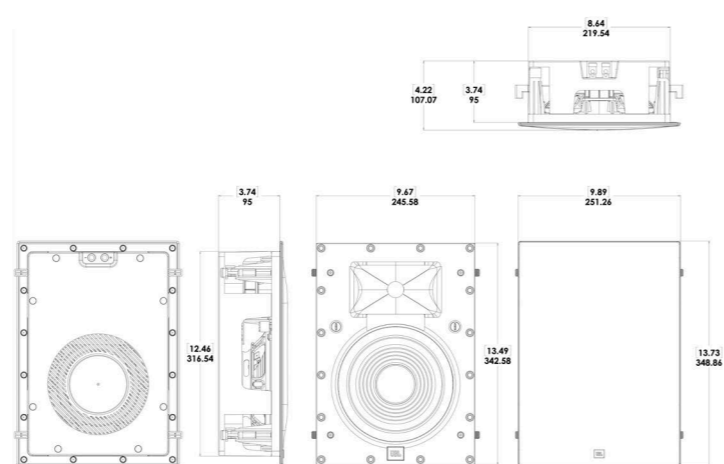
## STUDIO 6 / TECHNICAL SPECIFICATIONS

	<b>6IW</b>	<b>8IW</b>	<b>66LCR</b>	<b>88LCR</b>	<b>THEATER</b>
<b>Impedance:</b>	6Ω	6Ω	6Ω	6Ω	6Ω
<b>Recommended Amplifier Power:</b>	25W - 125W	25W - 125W	25W - 150W	50W - 175W	50W - 150W
<b>Frequency Response:</b>	45–20kHz	43–20kHz	45–20kHz	47–20kHz	65–20kHz
<b>Crossover Frequency:</b>	2.5kHz	2.5kHz	2.5kHz	2.5kHz	2.5kHz
<b>Loudspeaker Sensitivity:</b>	91dB	93dB	91dB	96dB	96dB
<b>Woofers:</b>	6.5" (165mm) Polyplas® woofer	8" (203mm) Polyplas® woofer	2 x 6.5" (165mm) Polyplas® woofer	2 x 8" (203mm) Polyplas® woofer	4 x 5.25" (133mm) Polyplas® woofer
<b>Tweeter:</b>	High Definition Imaging (HDI) Waveguide with 1" (25mm) High Frequency Compression Driver	High Definition Imaging (HDI) Waveguide with 1" (25mm) High Frequency Compression Driver	High Definition Imaging (HDI) Waveguide with 1" (25mm) High Frequency Compression Driver	High Definition Imaging (HDI) Waveguide with 1" (25mm) High Frequency Compression Driver	High Definition Imaging (HDI) Waveguide with 1" (25mm) High Frequency Compression Driver
<b>Cutout Dimensions:</b>	7.1" x 10.8" (180mm x 275mm)	8.7" x 12.5" (221mm x 318mm)	7" x 17.4" (180mm x 443mm)	8.7" x 20.4" (221mm x 517mm)	6.2" x 25.3" (157mm x 642mm)
<b>Grille Finished Dimensions:</b>	8.2" x 12" (209mm x 305mm)	9.9" x 13.7" (251mm x 349mm)	8.2" x 18.6" (209mm x 473mm)	9.9" x 21.5" (251mm x 547mm)	7.4" x 26.5" (188mm x 674mm)
<b>Mounting Depth:</b>	3.7" (95mm)	3.7" (95mm)	3.7" (95mm)	3.7" (94.5mm)	3.7" (94.5mm)

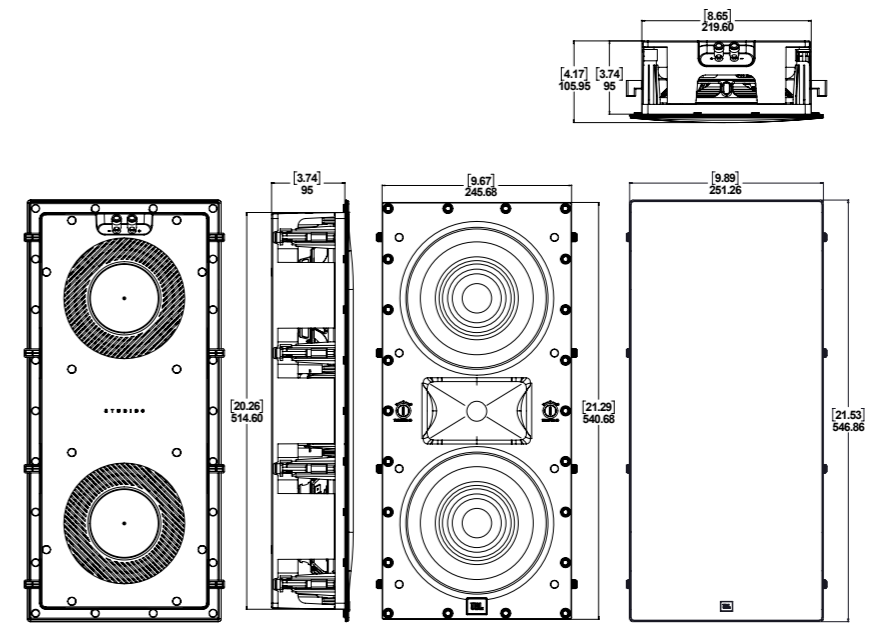
6IW



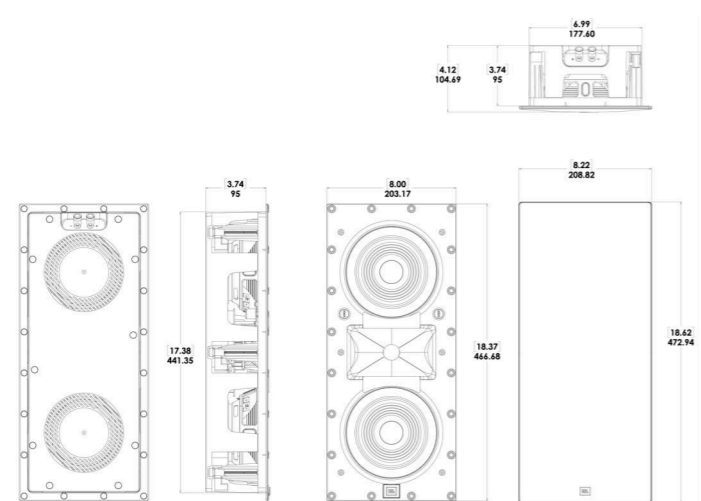
8IW



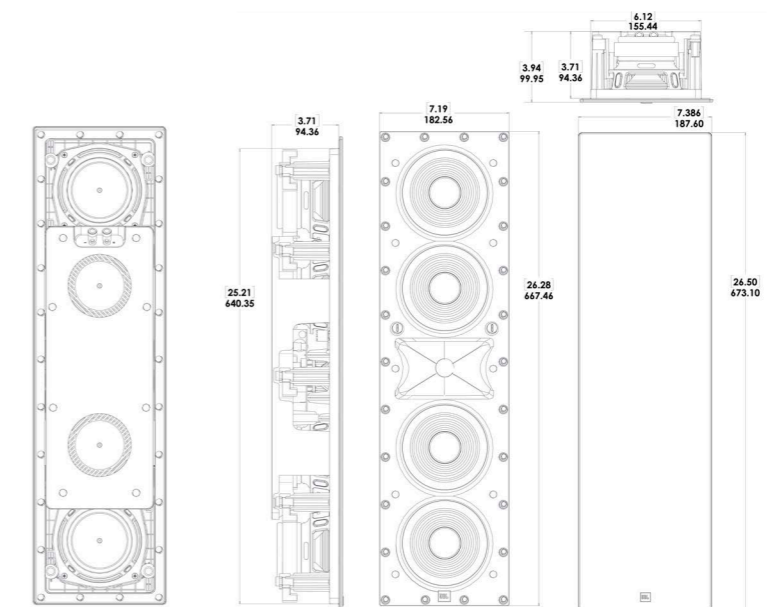
88LCR



66LCR



THEATER

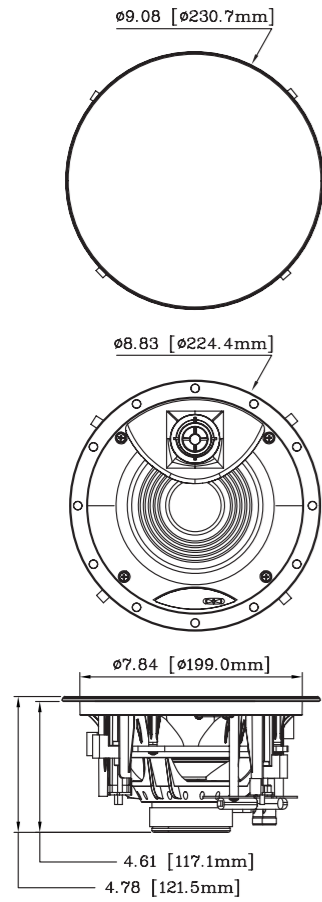




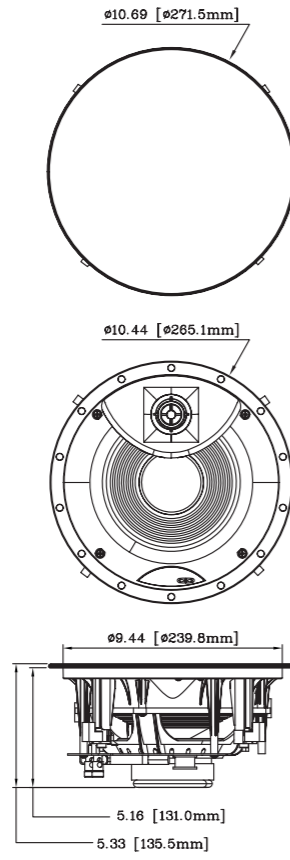
## STUDIO 2 / TECHNICAL SPECIFICATIONS

	6IC	8IC	6ICDT	6IW	8IW	55IW	88IW
<b>Impedance:</b>	8Ω	8Ω	8Ω	8Ω	8Ω	8Ω	8Ω
<b>Recommended Amplifier Power:</b>	80W	100W	80W	80W	100W	120W	150W
<b>Frequency Response:</b>	38Hz - 20kHz	30Hz - 20kHz	38Hz - 20kHz	38Hz - 20kHz	30Hz - 20kHz	40Hz - 20kHz	30Hz - 20kHz
<b>Crossover Frequency:</b>	2.5kHz	2.1kHz	3.7kHz	3.0kHz	2.8kHz	2.7kHz	2.8kHz
<b>Loudspeaker Sensitivity:</b>	86dB 2.83V @ 1m	88dB 2.83V @ 1m	86dB 2.83V @ 1m	86dB 2.83V @ 1m	88dB 2.83V @ 1m	88dB 2.83V @ 1m	88dB 2.83V @ 1m
<b>Low Frequency Driver Size and Material:</b>	6-1/2" (165mm) Polyplas® Woofer	8" (203mm) Polyplas® Woofer	6-1/2" (165mm) Polyplas® Woofer	6-1/2" (165mm) Polyplas® Woofer	8" (203mm) Polyplas® Woofer	Dual 5-1/4" (133mm) Polyplas® Woofer	8" (203mm) Polyplas® Woofer
<b>High Frequency Driver Size and Material:</b>	1" (25mm) Pivoting CMMD® Lite Tweeter	1" (25mm) Pivoting CMMD® Lite Tweeter	2x3/4" (19mm) Pivoting CMMD® Lite Tweeter	1" (25mm) Pivoting CMMD® Lite Tweeter	1" (25mm) Pivoting CMMD® Lite Tweeter	1" (25mm) Pivoting CMMD® Lite Tweeter	1" (25mm) Pivoting CMMD® Lite Tweeter
<b>High Frequency Control:</b>	+/- 3dB	+/- 3dB	+/- 3dB	+/- 3dB	+/- 3dB	+/- 3dB	+/- 3dB
<b>Cutout Dimensions:</b>	(D) 8" (203mm)	(D) 9-5/8" (244mm)	(D) 8" (203mm)	(H x W) 9-13/16" x 7-9/32" (249mm x 185mm)	(H x W) 11-15/16" x 8-15/16" (303mm x 227mm)	(H x W) 14-1/8" x 6-13/32" (359mm x 163mm)	(H x W) 20-1/16" x 9" (510mm x 227mm)
<b>Grille Finished Dimensions:</b>	(D) 9-3/32" (231mm)	(D) 10-11/16" (272mm)	(D) 9-3/32" (231mm)	(H x W) 10-7/8" x 8-11/32" (276mm x 212mm)	(H x W) 13" x 10" (330mm x 254mm)	(H x W) 15-1/8" x 7-13/32" (384mm x 188mm)	(H x W) 21-3/16" x 10" (538mm x 254mm)
<b>Mounting Depth:</b>	4-11/16" (119mm)	5-13/64" (132mm)	4-11/16" (119mm)	3-19/32" (91mm)	3-13/16" (97mm)	3.0" (76mm)	3-13/16" (96mm)
<b>Compatible Wall Material Thickness:</b>	0.5" – 2.0" (12mm – 51mm)	0.5" – 2.0" (12mm – 51mm)	0.5" – 2.0" (12mm – 51mm)	0.5" – 2.0" (12mm – 51mm)	0.5" – 2.0" (12mm – 51mm)	0.5" – 2.0" (12mm – 51mm)	0.5" – 2.0" (12mm – 51mm)
<b>Shipping Units of Measure:</b>	Each	Each	Each	Each	Each	Each	Each
<b>Warranty:</b>	5 Years	5 Years	5 Years	5 Years	5 Years	5 Years	5 Years
<b>Pre-Construction Bracket Part number:</b>	PCK6C	PCK8C	PCK6C	PCK6	PCK8	PCK55	-
<b>Back Box Part Number:</b>	FBB6C	FBB8C	FBB6C	FBB6	FBB8	FBB55	-

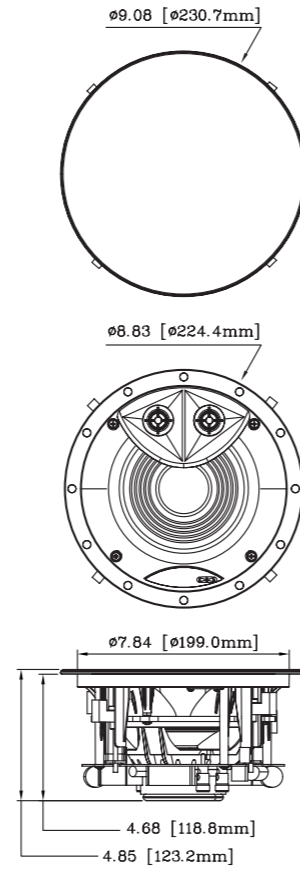
6IC



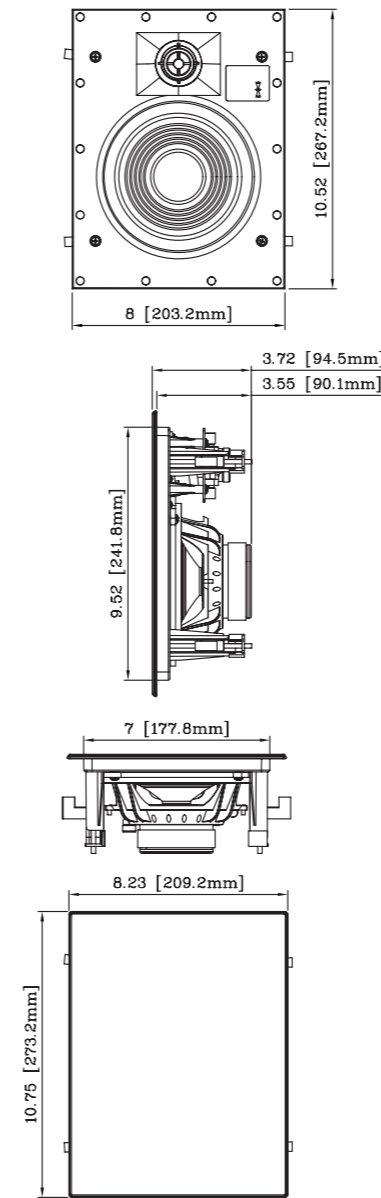
8IC



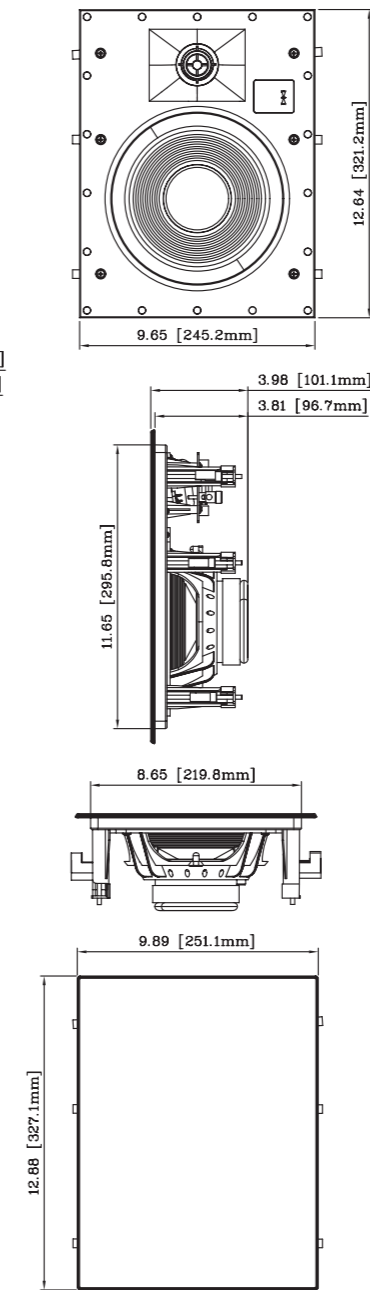
6ICDT



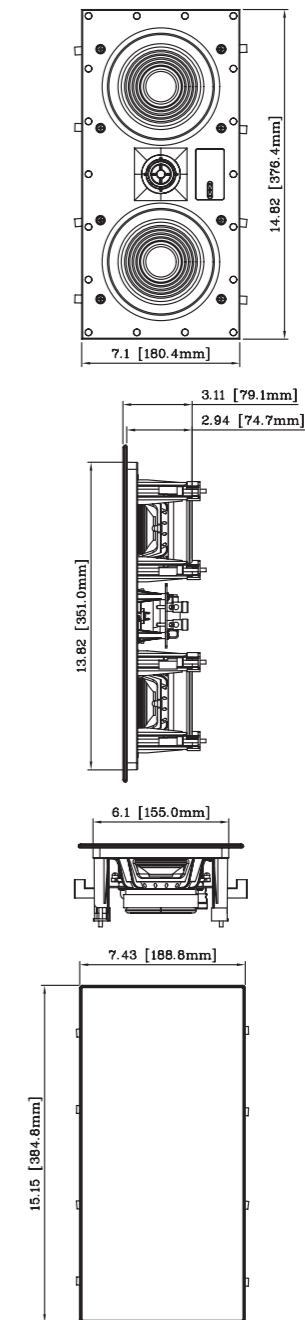
6IW



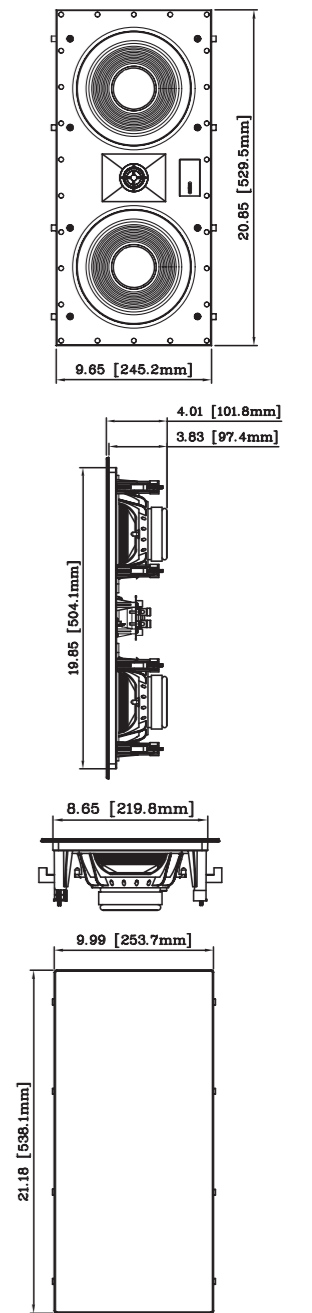
8IW



55IW



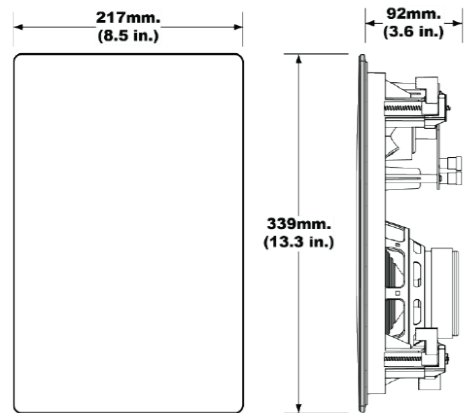
88IW



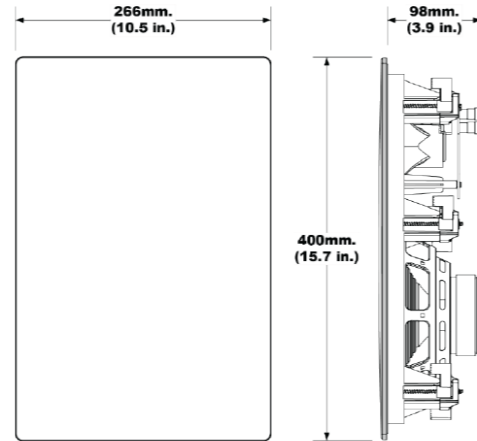
## STAGE 2 / TECHNICAL SPECIFICATIONS

	<b>260W</b>	<b>280W</b>	<b>250WL</b>	<b>260C</b>		<b>280C</b>	<b>260CDT</b>	<b>260CSA</b>	<b>280CSA</b>
<b>High Frequency Transducer:</b>	1" (25mm) Aluminum dome with High-Definition Imaging (HDI™) horn	1" (25mm) Aluminum dome with High-Definition Imaging (HDI™) horn	1" (25mm) Aluminum dome with High-Definition Imaging (HDI™) horn	1" (25mm) Aluminum dome with Acoustic Lens		1" (25mm) Aluminum dome with Acoustic Lens	Dual 3/4" (20mm) Aluminum dome with Acoustic Lens	1" (25mm) Aluminum dome with Acoustic Lens	1" (25mm) Aluminum dome with Acoustic Lens
<b>Low Frequency Transducer:</b>	6.5" (165mm) Polycellulose cone woofer	8" (200mm) Polycellulose cone woofer	Dual 5.25" (130mm) Polycellulose cone woofer	6.5" (165mm) Polycellulose cone woofer		8" (200mm) Polycellulose cone woofer	Dual VC 6.5" (165mm) Polycellulose cone woofer	6.5" (165mm) Polycellulose cone woofer	8" (200mm) Polycellulose cone woofer
<b>Recommended Power:</b>	20-100W RMS	20-120W RMS	20-120W RMS	20-100W RMS		20-120W RMS	20-75W RMS	20-100W RMS	20-120W RMS
<b>Frequency Response:</b>	50Hz-25kHz (-6dB on-axis)	42Hz-25kHz (-6dB on-axis)	52Hz-25kHz (-6dB on-axis)	50Hz-25kHz (-6dB on-axis)		42Hz-25kHz (-6dB on-axis)	50Hz-25kHz (-6dB on-axis)	50Hz-25kHz (-6dB on-axis)	42Hz-25kHz (-6dB on-axis)
<b>Sensitivity (2.83V@1m):</b>	87dB	90dB	90dB	87dB		90dB	90dB	87dB	90dB
<b>Impedance:</b>	8Ω	8Ω	8Ω	8Ω		8Ω	8Ω	8Ω	8Ω
<b>Crossover Frequency:</b>	1900Hz	1700Hz	2100Hz	3000Hz		3400Hz	2900Hz	2800Hz	2900Hz
<b>Inputs:</b>	Nickel-plated spring-loaded connectors	Nickel-plated spring-loaded connectors	Nickel-plated spring-loaded connectors	Nickel-plated spring-loaded connectors		Nickel-plated spring-loaded connectors	Nickel-plated spring-loaded connectors	Nickel-plated spring-loaded connectors	Nickel-plated spring-loaded connectors
<b>Grille Dimensions:</b>	H 19.5in (496mm) x W 7.6in (194mm)	H: 13.3in (339mm) x W 8.5in (217mm)	H: 15.7in (400mm) x W 10.5in (266mm)	Dia: 9.2in (233mm)		Dia: 10.8in (275mm)	Dia: 9.2in (233mm)	H: 9.8in (248mm) x W 9.8in (248mm)	H 11.4in (289mm) x W 11.4in (289mm)
<b>Cutout Dimensions:</b>	H: 12.2in (311mm) x W: 7.2in (184mm)	H: 14.6in (372mm) x W: 9.4in (238mm)	H: 18.1in (460mm) x W: 6.4in (162mm)	Dia: 8in (203mm)		Dia: 9.6in (244mm)	Dia: 8in (203mm)	H: 8.6in (219mm) x W: 8.6in (219mm)	H: 10.2in (260mm) x W: 10.2in (260mm)
<b>Mounting Depth:</b>	3.8in (96mm)	3.6in (92mm)	3.9in (98mm)	3.9in (100mm)		4.3in (108mm)	4.2in (106mm)	5in (127mm)	5.4in (138mm)

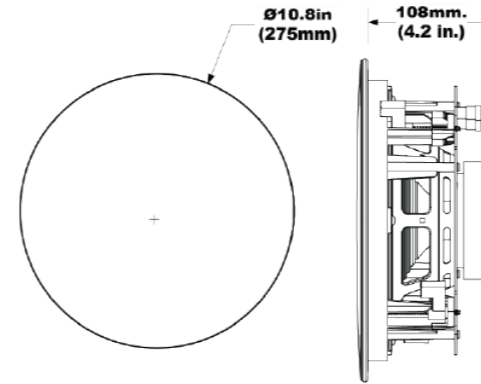
260W



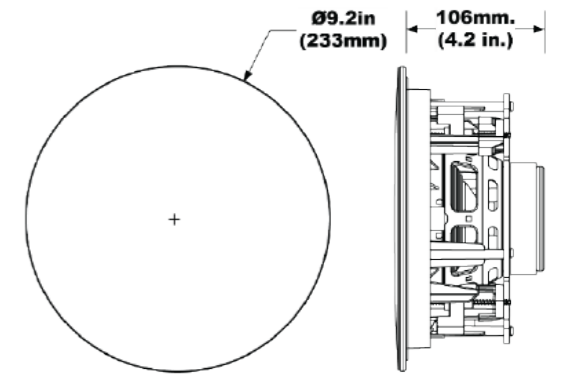
280W



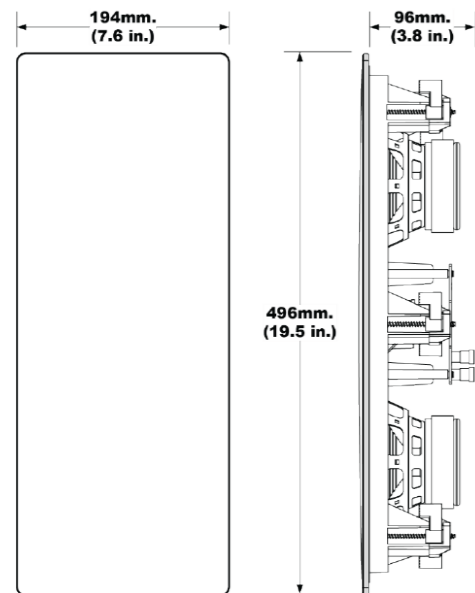
280C



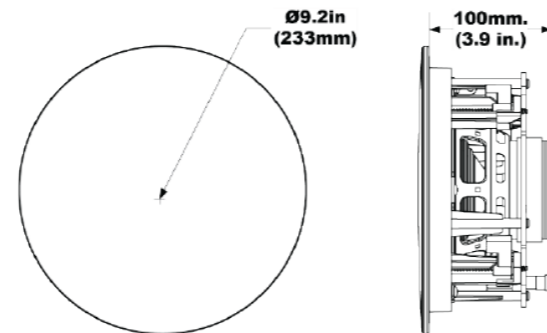
260CDT



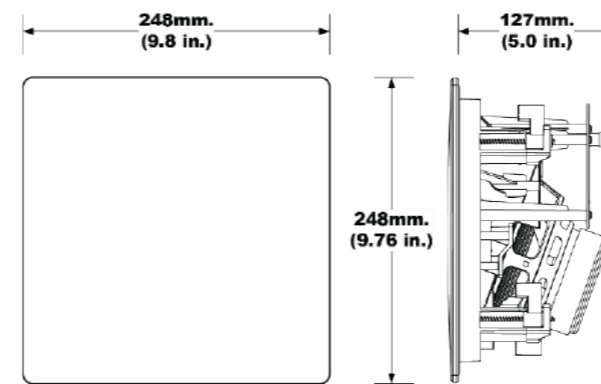
250WL



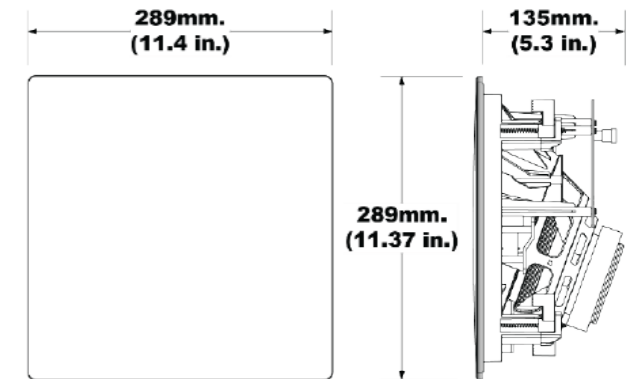
260C



260CSA



280CSA



## B SERIES / TECHNICAL SPECIFICATIONS

	<b>61C</b>	<b>81C</b>	<b>61CDT</b>	<b>61W</b>	<b>81W</b>
<b>Nominal Impedance:</b>	4Ω	4Ω	4Ω	4Ω	4Ω
<b>Power (RMS/Peak):</b>	35/140W	40/160W	35/140W	35/150W	45/160W
<b>Frequency Response:</b>	50Hz – 20kHz	45Hz – 20kHz	50–20kHz	50Hz – 20kHz	45Hz – 20kHz
<b>Loudspeaker Sensitivity:</b>	90dB	92dB	90dB	91dB	91dB
<b>Woofers:</b>	6.5" (165mm) Poly woofer	8" (203mm) Poly woofer	6.5" (165mm) Poly woofer	6.5" (165mm) Poly woofer	8" (203mm) Poly woofer
<b>Tweeters:</b>	0.5" (13mm) Polymer Tweeter	0.5" (13mm) Polymer Tweeter	0.5" (13mm) Polymer Tweeter	0.5" (13mm) Polymer Tweeter	0.5" (13mm) Polymer Tweeter
<b>Cutout Dimensions:</b>	7.9" (202mm)	9.6" (243mm)	7.9" (202mm)	9.7" x 7.2" (246mm x 182mm)	11.7" x 8.8" (299mm x 223mm)
<b>Grille Finished Dimensions:</b>	9.1" (232mm)	10.7" (272mm)	9.1" (232mm)	8.4" x 10.9" (213mm x 277mm)	10" x 12.9" (255mm x 329mm)
<b>Mounting Depth:</b>	3.6" (92mm)	3.9" (100mm)	3.6" (92mm)	3.3" (84mm)	3.7" (96mm)

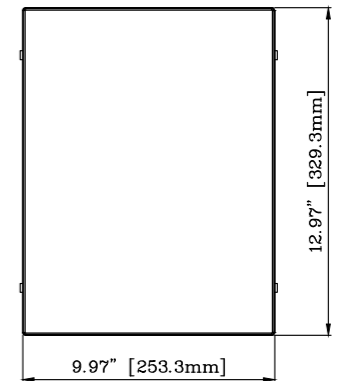
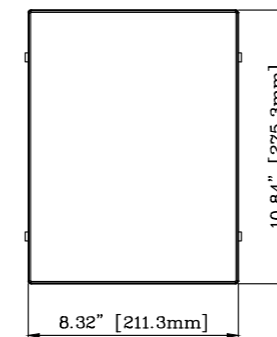
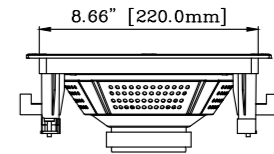
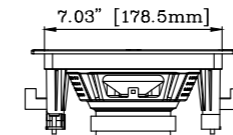
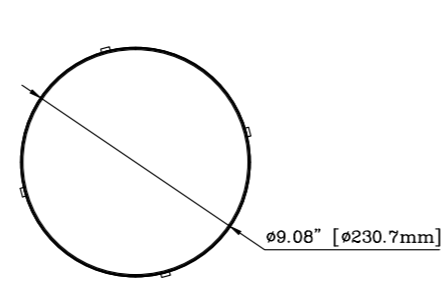
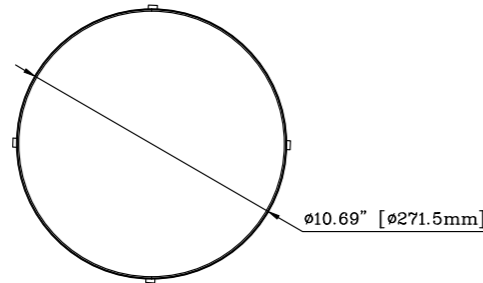
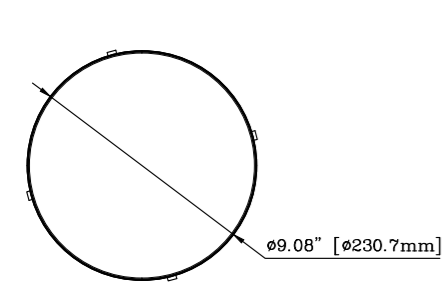
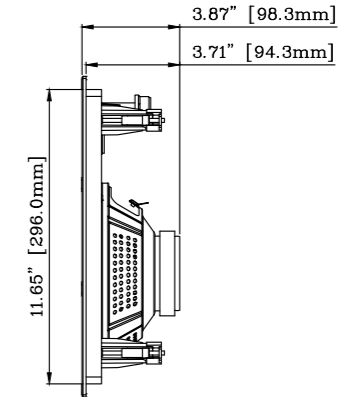
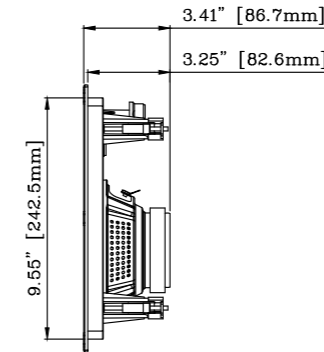
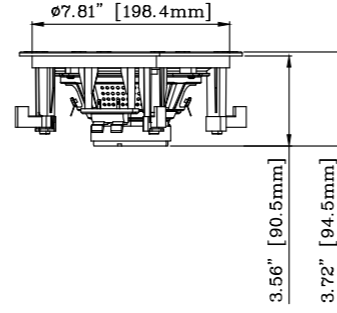
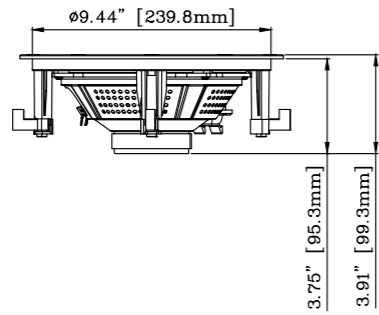
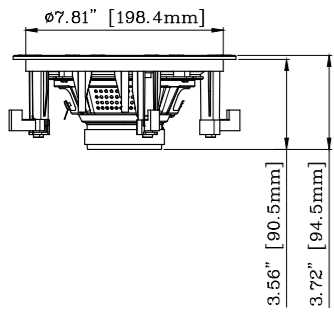
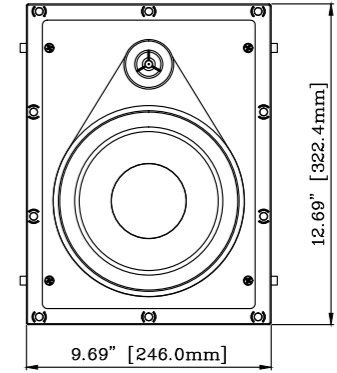
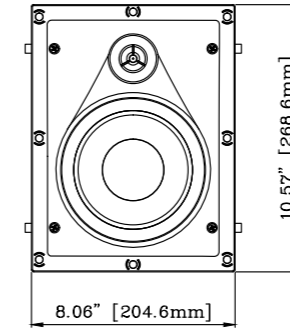
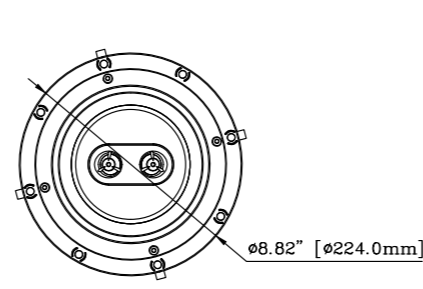
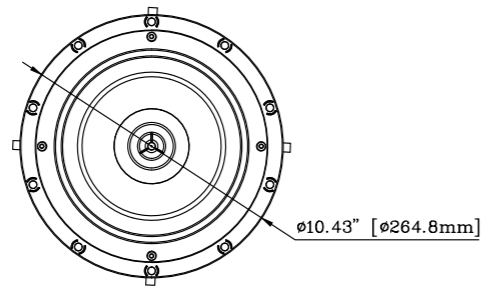
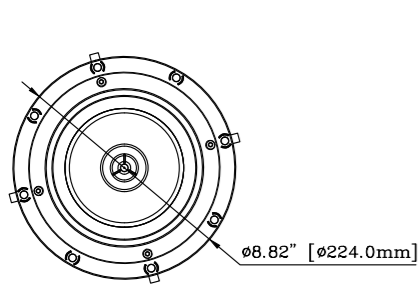
61C

81C

61CDT

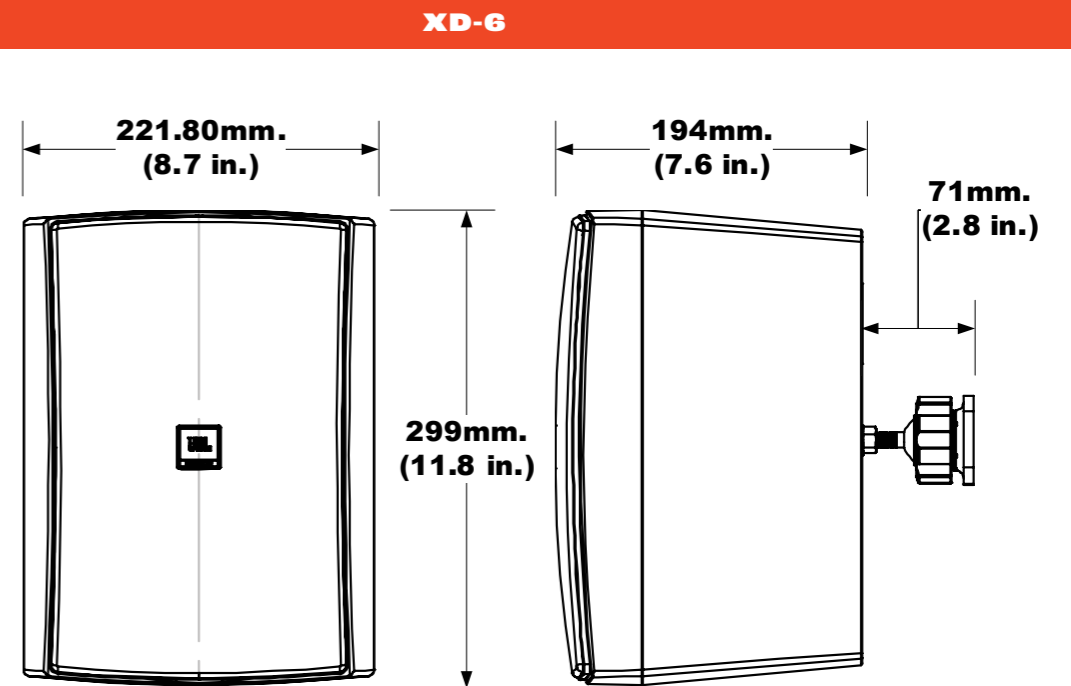
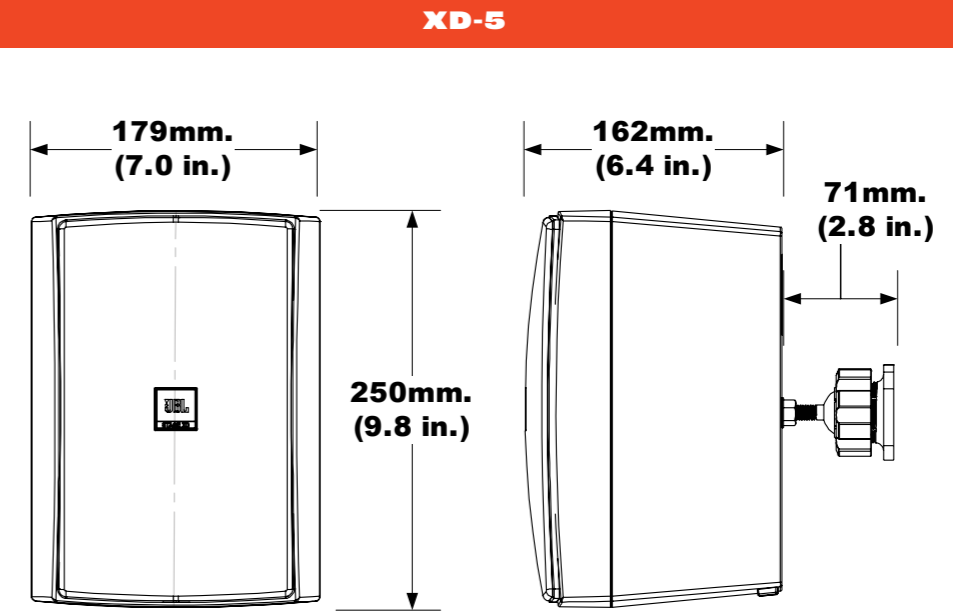
61W

81W



# STAGE XD / TECHNICAL SPECIFICATIONS

	<b>XD-5</b>	<b>XD-6</b>
<b>Weatherproof Rating:</b>	IP67	IP67
<b>High Frequency Transducer:</b>	1" (25mm) Aluminum dome with High-Definition Imaging (HDI™) waveguide	1" (25mm) Aluminum dome with High-Definition Imaging (HDI™) waveguide
<b>Low Frequency Transducer:</b>	5.25" (130mm) Polypropylene Cone Woofer	6.5" (165mm) Polypropylene Cone Woofer
<b>Impedance:</b>	6Ω	6Ω
<b>Loudspeaker Sensitivity:</b>	86dB	88dB
<b>Recommended Amplifier Power:</b>	20-100W RMS	20-100W RMS
<b>Frequency Response:</b>	(-6dB On-Axis): 75Hz-25kHz	(-6dB On-Axis): 55Hz-25kHz
<b>Crossover Frequency:</b>	2500K	2500K
<b>Operating Temperature:</b>	-35° C (-31° F) to 75° C (167°F)	-35° C (-31° F) to 75° C (167°F)
<b>Product Dimensions (HxWxD):</b>	9.84in (249.9mm) x 7.17in (182.1mm) X 6.37in (161.8mm)	11.77in (299mm) x 8.73in (221.8mm) X 7.64in (194.1mm)
<b>Weight:</b>	2.3lbs (5kg)	2.9lbs (6.5kg)
<b>Wall Mount Extension:</b>	2.8in (71mm)	2.8in (71mm)



**Contact**

JBL Premium Audio  
The West Wing, Stirling House,  
Waterbeach  
Cambridge  
CB25 9PB  
[jbl.com/premium-audio/](http://jbl.com/premium-audio/)

