

# Stage Architectural Series Loudspeakers

In-wall and In-Ceiling Architectural Loudspeakers

JBL



**Stage  
260W**



**Stage  
280W**



**Stage  
250WL**



**Stage  
260C**



**Stage  
280C**



**Stage  
260CDT**



**Stage  
260CSA**



**Stage  
280CSA**

## Product Overview

The Stage Architectural Series was designed to deliver iconic JBL sound that blends into the environment so that the music stands out. All models are crafted to be visually discrete with zero bezel grilles and easy installation allowing these speakers to be heard and not seen. Elements including baffles with acoustic smoothing, acoustic lens tweeters, and patented High-Definition Imaging (HDI™) horns have been incorporated into the design to ensure that the sound is clear and accurate. A range of eight models are available in various configurations for In-Wall and In-Ceiling installation.

## Highlights

- Rigid Baffle design with acoustic smoothing for improved transducer integration
- Aluminum Dome Tweeters with Acoustic Lens for smooth on and off axis frequency response
- High-Definition Imaging (HDI™) horns with optimized geometry for smooth dispersion and low distortion
- Harman target curve acoustic performance for smooth accurate sound over a large listening area
- Zero bezel metal grille installs flush to wall or ceiling for clean inconspicuous appearance
- XL-2 installation system compatible with up to 2" (50mm) thick wall/ceiling material

# Performance Highlights



**High-Definition Imaging (HDI™) horn with optimized geometry for smooth dispersion and low distortion**

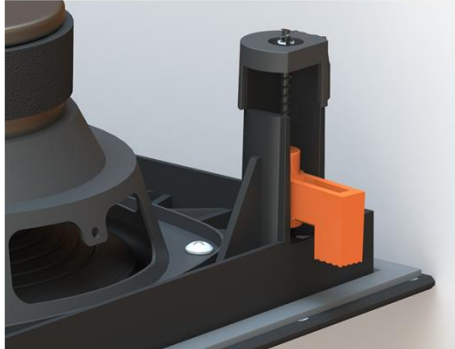
**Acoustic Lens for smooth on and off axis frequency response**

**Rigid baffle design with acoustic smoothing for improved transducer integration.**



## **XL-2 Leg Mounting System**

- Compatible with up to two-inch material thickness






## **Zero Bezel Magnetic Grille**

- Installs flush to wall or ceiling for clean inconspicuous appearance



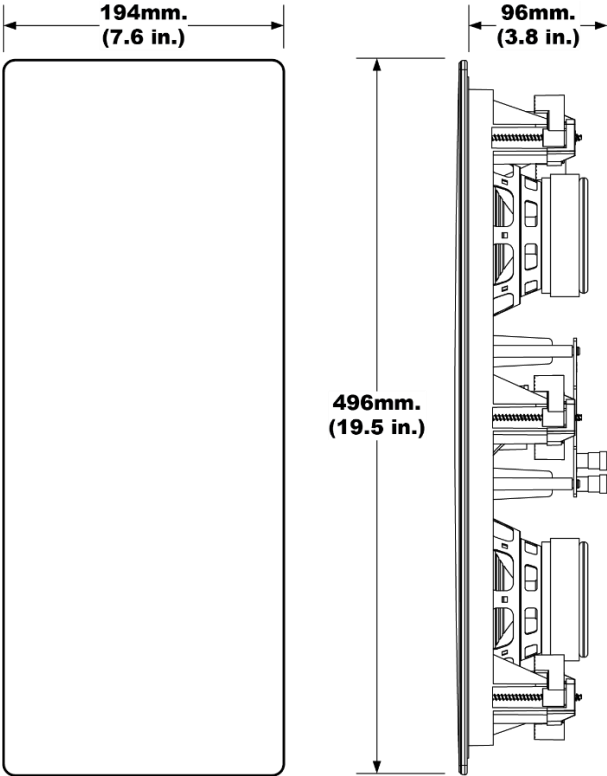
# In-Walls

## Specifications

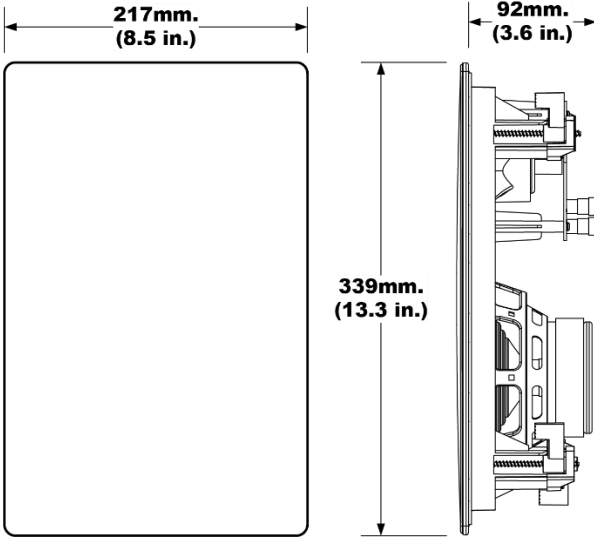
	Stage 260W	Stage 280W	Stage 250WL
			
<b>High Frequency Transducer</b>	1" (25mm) Aluminum dome with High-Definition Imaging (HDI™) horn	1" (25mm) Aluminum dome with High-Definition Imaging (HDI™) horn	1" (25mm) Aluminum dome with High-Definition Imaging (HDI™) horn
<b>Low Frequency Transducer</b>	6.5" (165mm) Polycellulose cone woofer	8" (200mm) Polycellulose cone woofer	Dual 5.25" (130mm) Polycellulose cone woofer
<b>Recommended Amplifier Power</b>	20-100W RMS	20-120W RMS	20-120W RMS
<b>Frequency Response</b>	50Hz-25kHz (-6dB on-axis)	42Hz-25kHz (-6dB on-axis)	52Hz-25kHz (-6dB on-axis)
<b>Sensitivity (2.83V@1m)</b>	87dB	90dB	90dB
<b>Nominal Impedance</b>	8ohm	8ohm	8ohm
<b>Crossover Frequency</b>	1900Hz	1700Hz	2100Hz
<b>Inputs</b>	Nickel-plated spring-loaded connectors	Nickel-plated spring-loaded connectors	Nickel-plated spring-loaded connectors
<b>Grille Dimensions</b>	H 19.5in (496mm) x W 7.6in (194mm)	H: 13.3in (339mm) x W 8.5in (217mm)	H: 15.7in (400mm) x W 10.5in (266mm)
<b>Cutout Dimensions</b>	H: 12.2in (311mm) x W: 7.2in (184mm)	H: 14.6in (372mm) x W: 9.4in (238mm)	H: 18.1in (460mm) x W: 6.4in (162mm)
<b>Mounting Depth</b>	3.8in (96mm)	3.6in (92mm)	3.9in (98mm)
<b>Product Weight (Kg)</b>	2.2Kg	2.8Kg	3.5Kg
<b>Shipping Carton Dimensions</b>	L: 15.6in (396mm) x W: 10.8in (274mm) x H: 5.1in (130mm)	L: 17.8in (453mm) x W: 12.5in (318mm) x H: 5.5in (140mm)	L: 21.7in (552mm) x W: 9.9in (252mm) x H: 4.7in (120mm)
<b>Shipping Carton Weight</b>	6.48lbs (2.94Kg)	8.38lbs (3.8Kg)	9.61lbs (4.36Kg)

# Dimensions

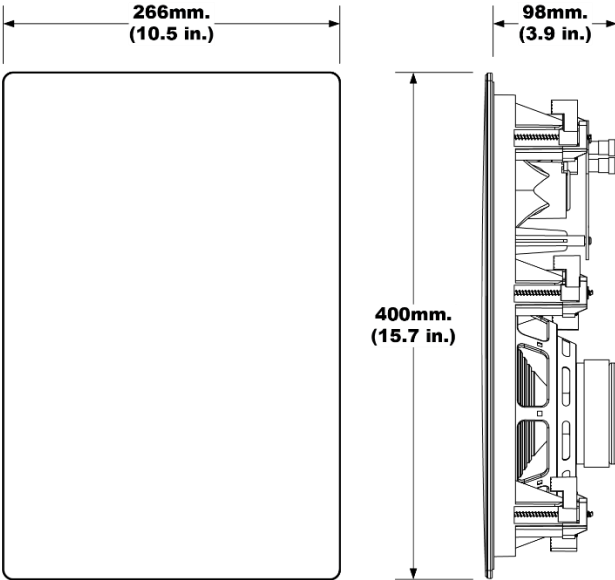
## Stage 250WL



## Stage 260W



## Stage 280W



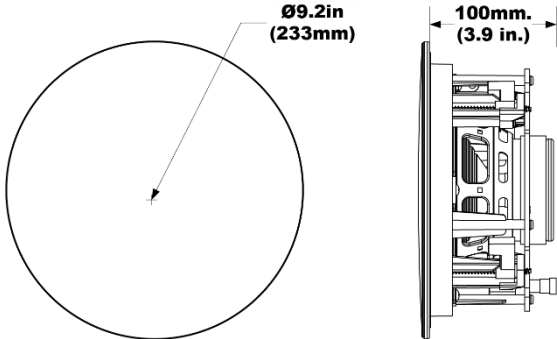
# In-Ceiling (Standard)

## Specifications

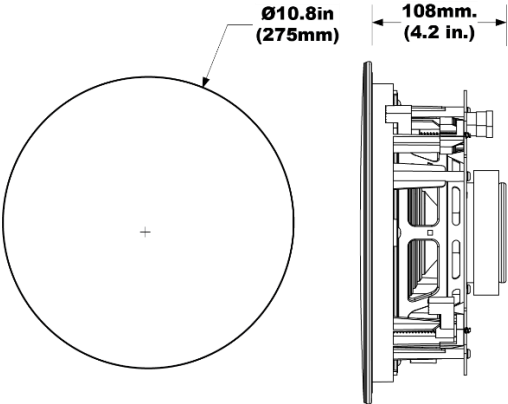
	Stage 260C	Stage 280C
		
<b>High Frequency Transducer</b>	1" (25mm) Aluminum dome with Acoustic Lens	1" (25mm) Aluminum dome with Acoustic Lens
<b>Low Frequency Transducer</b>	6.5" (165mm) Polycellulose cone woofer	8" (200mm) Polycellulose cone woofer
<b>Recommended Amplifier Power</b>	20-100W RMS	20-120W RMS
<b>Frequency Response</b>	50Hz-25kHz (-6dB on-axis)	42Hz-25kHz (-6dB on-axis)
<b>Sensitivity (2.83V@1m)</b>	87dB	90dB
<b>Nominal Impedance</b>	8ohm	8ohm
<b>Crossover Frequency</b>	3000Hz	3400Hz
<b>Inputs</b>	Nickel-plated spring-loaded connectors	Nickel-plated spring-loaded connectors
<b>Grille Dimensions</b>	Dia: 9.2in (233mm)	Dia: 10.8in (275mm)
<b>Cutout Dimensions</b>	Dia: 8in (203mm)	Dia: 9.6in (244mm)
<b>Mounting Depth</b>	3.9in (100mm)	4.3in (108mm)
<b>Product Weight (Kg)</b>	1.9Kg	2.2Kg
<b>Shipping Carton Dimensions</b>	L: 11in (280mm) x W: 11in (280mm) x H: 5.4in (136mm)	L: 12.7in (322mm) x W: 12.7in (322mm) x H: 5.6in (142mm)
<b>Shipping Carton Weight</b>	5.6lbs (2.54Kg)	6.97lbs (3.16Kg)

# Dimensions

## Stage 260C






## Stage 280C



# In-Ceiling (Special Use)

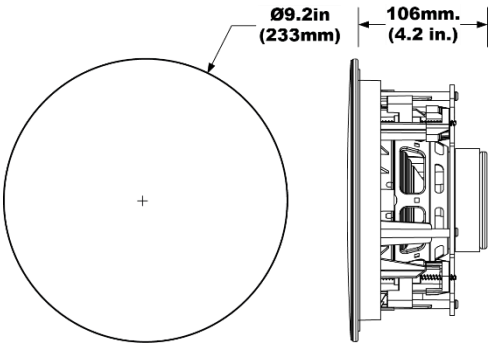
## Specifications

	Stage 260CDT	Stage 260CSA	Stage 280CSA
			
<b>High Frequency Transducer</b>	Dual 3/4" (20mm) Aluminum dome with Acoustic Lens	1" (25mm) Aluminum dome with Acoustic Lens	1" (25mm) Aluminum dome with Acoustic Lens
<b>Low Frequency Transducer</b>	Dual VC 6.5" (165mm) Polycellulose cone woofer	6.5" (165mm) Polycellulose cone woofer	8" (200mm) Polycellulose cone woofer
<b>Recommended Amplifier Power</b>	20-75W RMS	20-100W RMS	20-120W RMS
<b>Frequency Response</b>	50Hz-25kHz (-6dB on-axis)	50Hz-25kHz (-6dB on-axis)	42Hz-25kHz (-6dB on-axis)
<b>Sensitivity (2.83V@1m)</b>	90dB	87dB	90dB
<b>Nominal Impedance</b>	8ohm	8ohm	8ohm
<b>Crossover Frequency</b>	2900Hz	2800Hz	2900Hz
<b>Inputs</b>	Nickel-plated spring-loaded connectors	Nickel-plated spring-loaded connectors	Nickel-plated spring-loaded connectors
<b>Grille Dimensions</b>	Dia: 9.2in (233mm)	H: 9.8in (248mm) x W 9.8in (248mm)	H: 11.4in (289mm) x W 11.4in (289mm)
<b>Cutout Dimensions</b>	Dia: 8in (203mm)	H: 8.6in (219mm) x W: 8.6in (219mm)	H: 10.2in (260mm) x W: 10.2in (260mm)
<b>Mounting Depth</b>	4.2in (106mm)	5in (127mm)	5.4in (138mm)
<b>Product Weight (Kg)</b>	2.2Kg	2.2Kg	2.9Kg
<b>Shipping Carton Dimensions</b>	L: 11in (280mm) x W: 11in (280mm) x H: 5.4in (136mm)	L: 12in (306mm) x W: 12in (306mm) x H: 6.2in (158mm)	L: 13.6in (346mm) x W: 13.6in (346mm) x H: 6.5in (166mm)
<b>Shipping Carton Weight</b>	6.22lbs (2.82Kg)	6.66lbs (3.02Kg)	8.42lbs (3.82Kg)

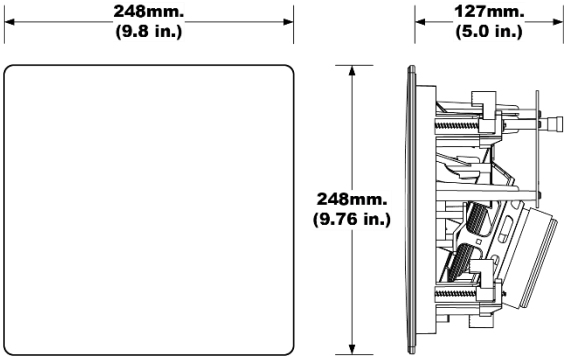


# Dimensions

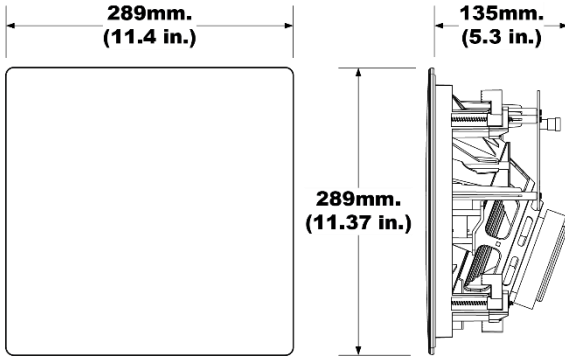
## Stage 260CDT



## Stage 260CSA



## Stage 280CSA



# Installation Tools

## Pre-Construction Brackets



	JBLWB52	WB61 (New)	WB81 (New)	CB6SA (New)	CB8SA (New)	CB6	CB8
<b>Description</b>	For 5" In-Wall	For 6" In-Wall	For 8" In-Wall	For Angled 6" In-Ceiling	For Angled 8" In-Ceiling	For 6" In-Ceiling	For 8" In-Ceiling
<b>Products Supported</b>	Stage 250WL	Stage 260W	Stage 280W	Stage 260CSA	Stage 280CSA	Stage 260C / 260CDT	Stage 280C

## Square Grille Kits



	SGK6	SGK8
<b>Description</b>	Square White Paintable Grille for 6" In-Ceiling	Square White Paintable Grille for 8" In-Ceiling
<b>Products Supported</b>	Stage 260C / 260CDT	Stage 280C