



AT-LP2X

User Manual

Fully Automatic Belt-Drive Turntable

Manuel de l'utilisateur

Tourne-disque à entraînement par courroie
entièrement automatique

Bedienungsanleitung

Vollautomatischer, riemenbetriebener
Plattenspieler

Manual de usuario

Tocadiscos de transmisión por correa
totalmente automático



Introduction

Thank you for purchasing this Audio-Technica product.

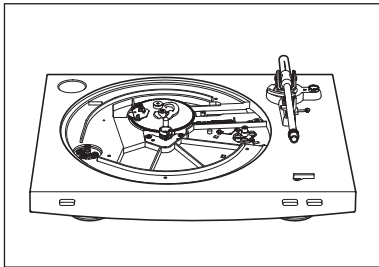
Read through this user manual before using the product to ensure its correct use. Also, keep this manual, along with the warranty, for future reference.

This product can be used only in the countries where the product is sold. Make sure that the operating voltage of the product is correct for the country you live in.

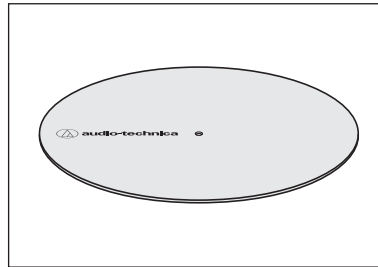
Package contents

Make sure that you have all the included items listed below before using this product.

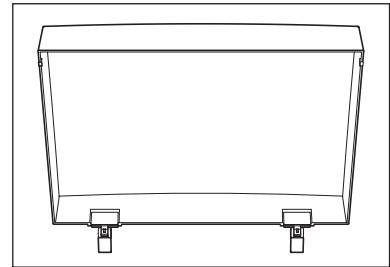
If some items are missing or damaged, contact your local Audio-Technica dealer.



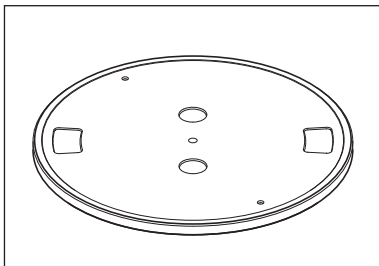
• Turntable body



• Felt mat



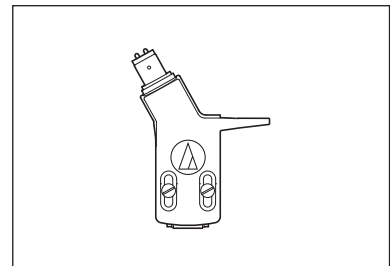
• Dust cover



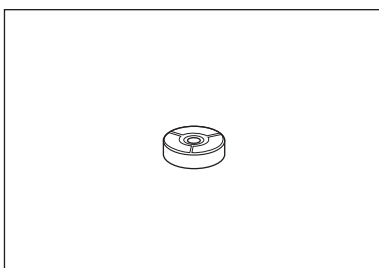
• Platter (with drive belt)



• Counterweight



• Headshell (AT-HS3) with VM stereo cartridge (AT91R)



• 45 RPM adapter

- Power cable
- User manual (this document)

After purchase, we suggest that you save all packaging materials for possible future storage, moving, or shipping.

Safety precautions

Important information

Warning:

To prevent fire or shock hazard, do not expose this apparatus to rain or moisture.

Caution:

Do not expose this apparatus to drips or splashes.

To avoid electric shock, do not open the cabinet.

Refer servicing to qualified personnel only.

Do not expose this apparatus to excessive heat such as sunshine, fire or the like.

Do not subject this apparatus to strong impact.

This apparatus should be located close enough to the AC outlet so that you can easily grasp the power cord plug at any time.

In case of emergency, disconnect the power cord plug of this apparatus quickly.

Do not place any objects filled with liquids, such as vases, on this apparatus.

To prevent fire, do not place any naked flame sources (such as lighted candles) on this apparatus.

Do not install this apparatus in a confined space such as a bookcase or similar unit.

To install this apparatus only in the place where ventilation is good.

Notes on use

Turntable body

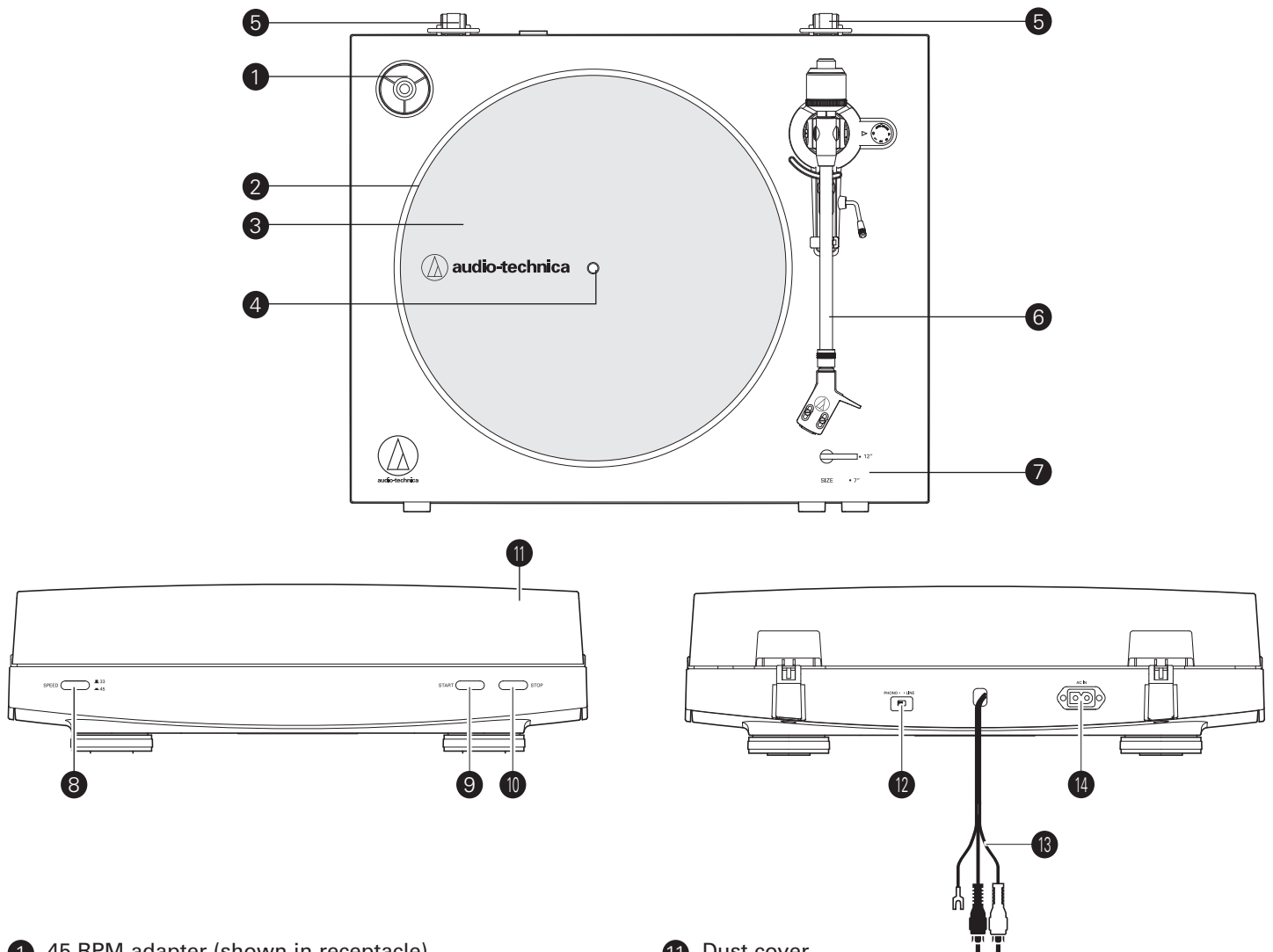
- Do not set and use the product in locations that are considerably hot or humid, dirty, or subject to extreme vibrations.
- The product should be positioned on a flat, level surface.

Cartridge

- Attach the provided protector to the cartridge when the product is not in use.
- Do not touch the stylus of the cartridge with your finger.
- Do not allow the stylus to bump against the platter, felt mat, or edge of the record.

Part names and functions

Overall diagram



1 45 RPM adapter (shown in receptacle)

Select the platter speed (33-1/3 or 45 RPM).

2 Platter

3 Felt mat

4 Spindle

5 Dust cover hinge holders

Attachment points for dust cover hinges.

6 Tonearm part

For details, refer to "Tonearm" on p. 5.

7 Size selector

Switch between 12" and 7", according to the size of the record.

8 Platter speed button

Select the platter speed (33-1/3 or 45 RPM).

9 START button

Spins the platter and moves the tonearm.

10 STOP button

Returns the tonearm to its original position and stops the platter.

11 Dust cover

12 Pre-amplifier selector switch

If using an amplifier with a PHONO input jack, set this switch to the PHONO position. If connecting to the AUX jack of an amplifier, set this switch to the LINE position.

13 RCA audio cable (with grounding wire)

Connect to PHONO input jack (grounding wire to ground terminal, if available) or AUX (LINE) input jack of a receiver, amplifier or other connectable equipment.

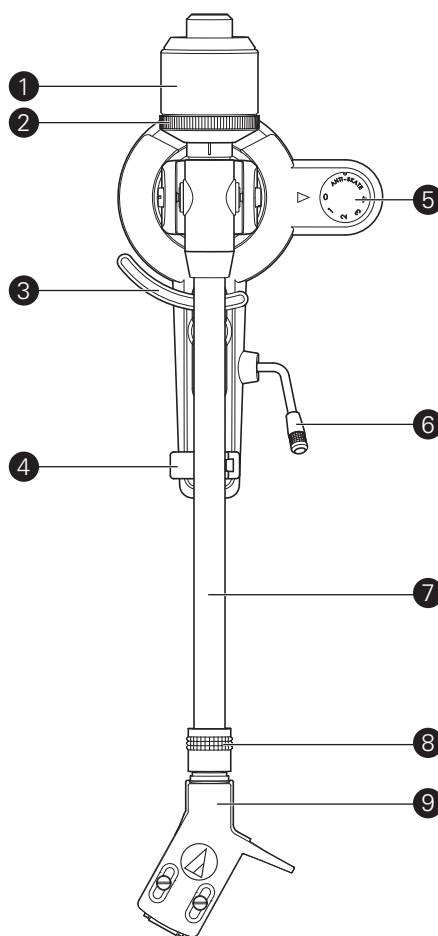
14 AC inlet

Insert the power cable here.

Part names and functions

Tonearm

- 1 **Counterweight**
Balances the tonearm and adjusts to provide the proper tracking force.
- 2 **Tracking force gauge ring**
Use to adjust the tracking force.
- 3 **Tonearm lift**
Moves the tonearm vertically to and from the face of the record.
- 4 **Tonearm rest**
- 5 **Anti-skate control dial**
While the record is playing, a force acts on the stylus tip to pull it inward. This force can be counteracted by setting the same values for anti-skate and the tracking force.
- 6 **Tonearm lift control lever**
Operates the tonearm lift.
- 7 **Tonearm**
- 8 **Locking ring**
Rotate the ring to the left (counterclockwise) to secure the headshell. To remove the headshell, rotate the ring to the right.
- 9 **Headshell and cartridge**
The cartridge (AT91R) is mounted to the headshell (AT-HS3).



Preparation for use

Installing the turntable

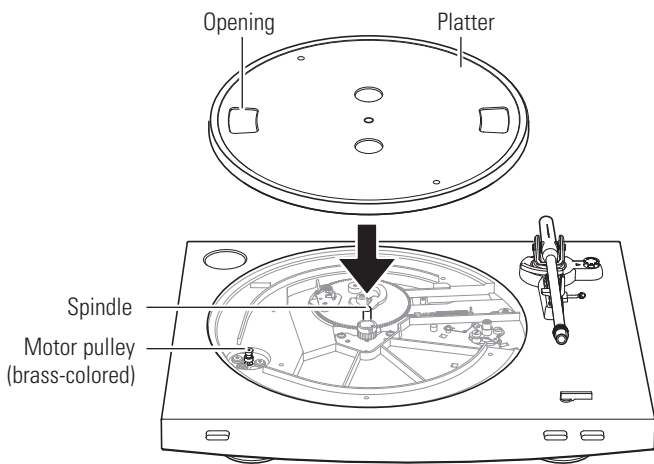
- Mount the product on a level surface.
- To avoid the effects of vibrations and acoustic pressure, do not mount the product next to such items as speakers.
- The product may pick up radio static if placed next to a radio. Therefore, try to keep the product away from radios.
- If the product is near equipment (cell phone, etc.) that emits strong radio waves, noise may occur.

Placing the platter and the felt mat

This product requires some assembly before using it for the first time. Do not connect the power cable until assembly is complete.

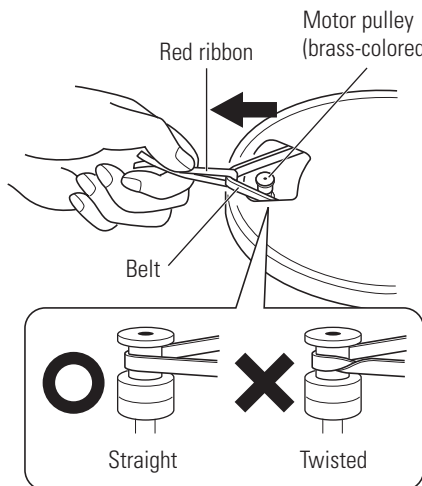
1. Set the platter on the spindle.

- Make certain that the platter is fully seated on the spindle.

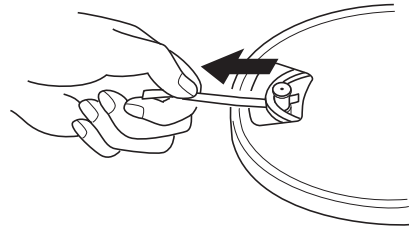


2. Place the belt on the motor pulley (brass-colored).

- Align one of the platter openings with the brass motor pulley, and, while pulling both ends of the red ribbon that comes attached to the belt, place the belt on the motor pulley, as per the diagram. When doing this, be careful not to twist the belt.

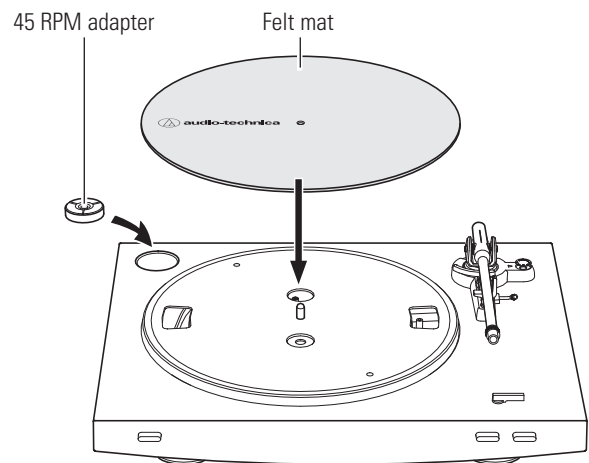


3. Remove the red ribbon from the belt.



4. Set the felt mat on the platter.

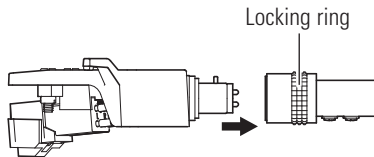
- After setting the felt mat, put the 45 RPM adapter into the space made for it on the upper left.



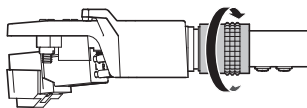
Preparation for use

Assembling the tonearm

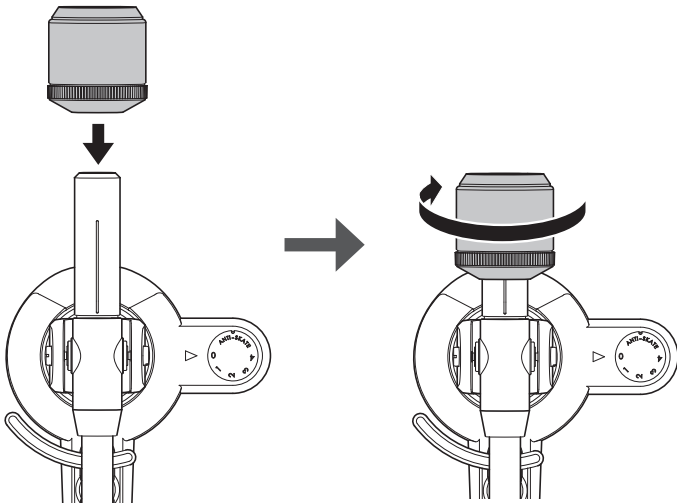
1. Insert the headshell into the locking ring.
 - Hold the right and left edges of the headshell so that you do not damage the stylus or cut the cartridge's wires.



2. With the headshell inserted, turn the locking ring counterclockwise (to the left).



3. With the tracking force gauge ring facing forward, attach the counterweight to the back of the tonearm, and slowly turn it counterclockwise (to the left).



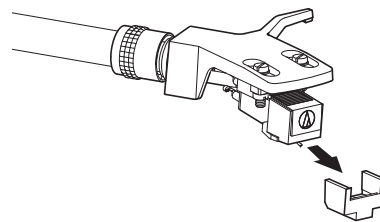
Tonearm balance and tracking force

In order for the cartridge to pick up sound correctly from the record's grooves, the tonearm's balance and tracking force must be adjusted to fit the specifications of the cartridge. If the tonearm's balance and tracking force are not properly adjusted, the record or the cartridge's stylus may become damaged.

- Do not drag the cartridge's stylus across the record or felt mat when adjusting the tonearm's balance or tracking force. Doing so may damage the stylus.

Setting tonearm balance

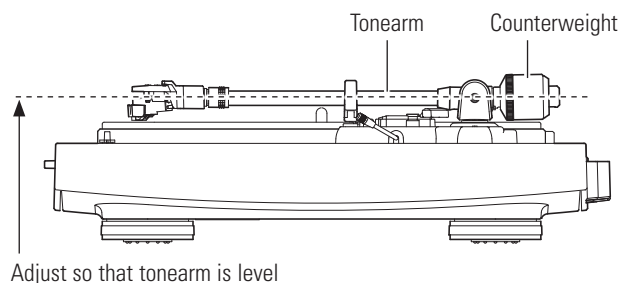
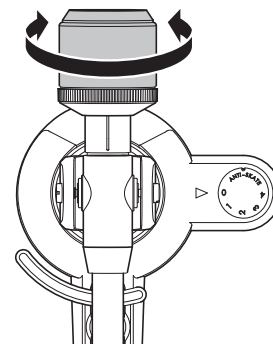
1. Remove the cartridge's protector.



2. While holding headshell, remove the cable tie used to secure the tonearm at the time of delivery.

3. While still lightly holding the headshell, turn the counterweight to adjust the tonearm's balance.

- Adjust the balance so that the tonearm is level when you release the headshell.

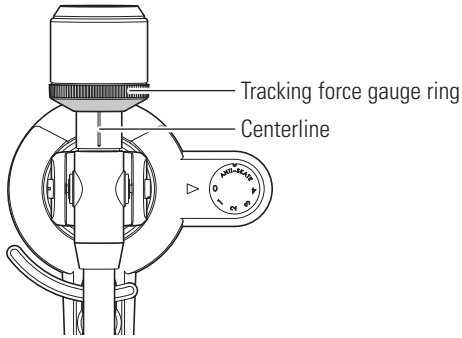


4. Return the tonearm to the tonearm rest.

Preparation for use

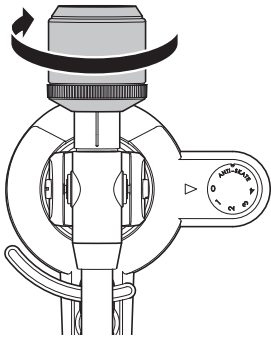
Setting tracking force

1. While supporting the counterweight so that it does not move, turn the tracking force gauge ring so that its "0" position lines up with the centerline on the back of the tonearm (the tracking force is not adjusted simply by turning the tracking force gauge ring).



2. Turn the counterweight and the tracking force gauge ring together counterclockwise until the centerline value matches the recommended tracking force value for the cartridge you are using.

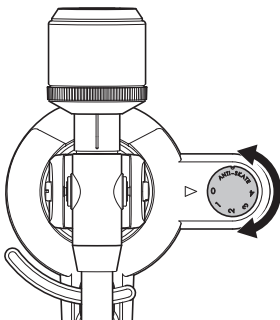
- Refer to the cartridge maker's specifications for the recommended tracking force value.
- The tracking force value for the cartridge provided with this product is 2.0 g.



Setting the anti-skate adjustment

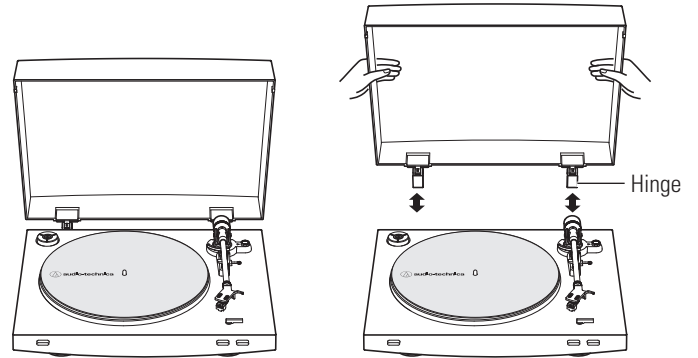
While the record is playing, a force acts on the stylus tip to pull it inward. This force can be counteracted by setting the same values for anti-skate and the tracking force.

1. Adjust the anti-skate control dial to have the same value as the tracking force value.
- The tracking force value for the cartridge provided with this product is 2.0 g.



Installing/removing the dust cover

When attaching the dust cover, insert the hinges of the dust cover into the two dust cover hinge holders on the back of the body. When removing the dust cover, slowly pull the dust cover out from the dust cover hinge holders.



Setting pre-amplifier selector switch

This product has a built-in phono equalizer function. You can use the product, even if you do not have a phono amplifier or connectable equipment with a built-in phono amplifier.

Use the pre-amplifier selector switch to set the output, as shown below.

Connectable equipment being used	Position of pre-amplifier selector switch	Where to connect RCA audio cable
Device with phono input	PHONO	Phono input jack and ground (earth) terminal of connectable equipment
Device without phono input	LINE	AUX or line input jack of connectable equipment
PC sound card	LINE	PC sound card's line input jack ^{*1}

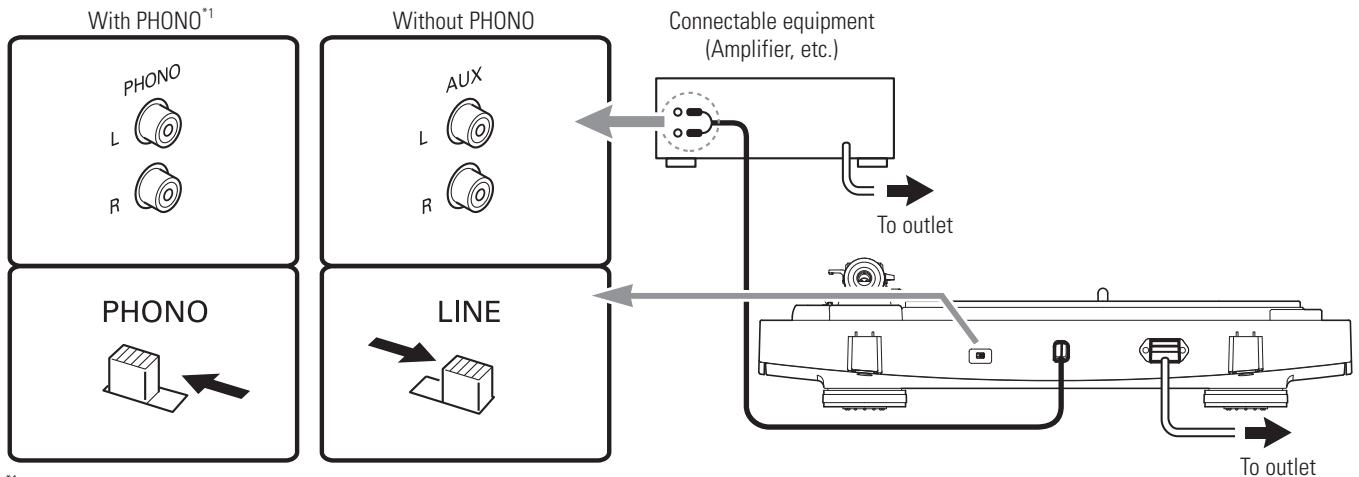
^{*1}An audio adapter (sold separately) may be required to connect the RCA audio cable to the line input jack of the PC sound card.

Preparation for use

Connecting the device

Align the settings for the pre-amplifier selector switch and connect the RCA audio cable to an input jack that is compatible with the connectable equipment you are using (amplifier, receiver, active speakers, sound card, etc.).

- The RCA audio cable's red jack is for the right (R) channel, and the white jack is for the left (L) channel.

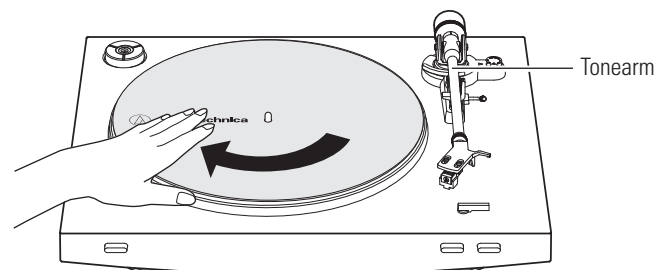


**Depending on the connectable equipment you are using, a ground (earth) terminal may be present near the phono input jack. If this is the case, connect the grounding wire of the RCA audio cable to it. This will help prevent a low humming noise that might otherwise be heard during playback.

Rotating the platter

1. Using your hands, rotate the platter ten times.

- Raise the tonearm lift control lever to lift the tonearm. Slowly rotate the turntable ten times by hand in the direction of the arrow.
- You may want to hold the tonearm to prevent it from moving. This step is for resetting the auto mechanism, getting rid of any twists in the belt and making sure the belt rides smoothly along the drive rim on the underside of the platter.

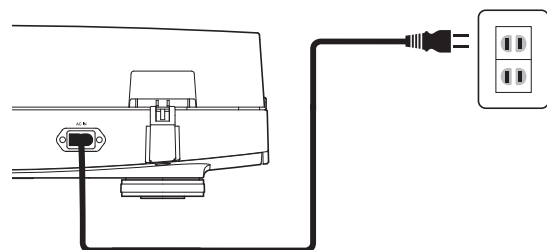


Connecting the power cable

This product does not have a power switch. A standby current is always running through the product, even when it is not being used; disconnect the power cable plug from the outlet when not using the product for a long period of time.

1. Connect the power cable plug to the outlet.

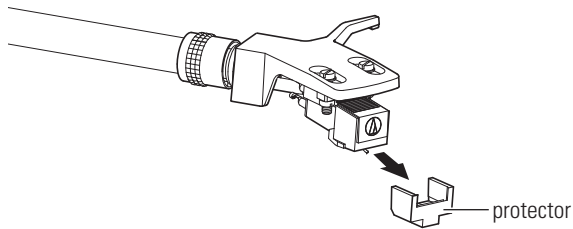
- For safety, raise the tonearm by lifting the tonearm lift control lever to the UP position.
- Connect the power cable plug to the outlet without removing the cartridge's protector. If the platter has rotated, press the STOP button without touching the tonearm, and then wait until the tonearm returns to its original position.
- If you play a record immediately after inserting the power cable, the sound that is played may be garbled. Wait a short time (about 30 seconds) after plugging the power cable plug into the outlet before playing a record.



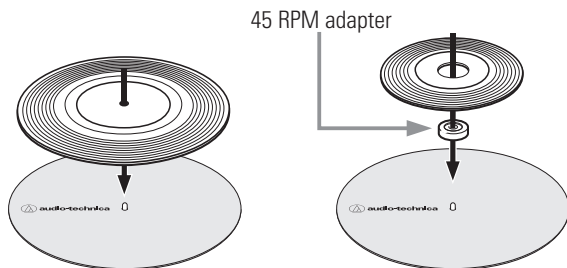
Playing a record

Before playing a record

1. Remove the cartridge's protector.
 - Pull the protector straight forward to remove it.
 - Applying a downward force may cause the stylus to come off the body. Only low volume is output if the stylus has come off, or is about to come off, so refer to "Replacing the stylus" on p. 11 to reattach the stylus correctly.



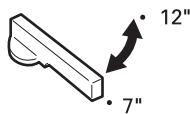
2. Place the record on the felt mat so that the center hole aligns with the spindle.
 - If playing a 45 RPM record with a large center hole, attach the 45 RPM adapter (see the right side of the diagram below).



Automatic operation

Lower the volume of the amplifier, speakers, etc. sufficiently.

1. Select the size with the size selector.
 - Select "12"" for an LP record with a 12" diameter, and "7"" for a 45 RPM record with a 7" diameter.



2. Press the speed with the platter speed button.
 - Select "33" for a 33-1/3 RPM record, and "45" for a 45 RPM record.



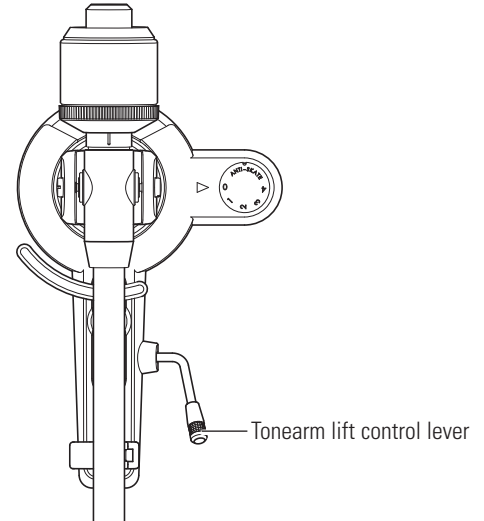
3. Press the START button.
 - Do not bump the product while the record is playing.
 - Do not switch the record size selection while the record is playing. Doing either of these can cause the product to malfunction.



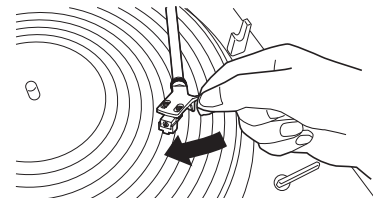
Manual operation

Lower the volume of the amplifier, speakers, etc. sufficiently.

1. Raise the tonearm by lifting the tonearm lift control lever to the UP position.



2. Position the tonearm over the desired location (groove) on the record.



3. Lower the tonearm by moving the tonearm lift control lever to the DOWN position. The tonearm descends slowly onto the record and play begins.
 - Alternatively, you can skip steps 1 to 3, and use the finger-lift on the headshell to position the tonearm over the desired location on the record. Carefully lower the tonearm to the record surface.
 - Do not subject the product to strong impact during playback.

Pausing the record

1. After lowering the volume of the amplifier, speakers, etc. sufficiently, lift the tonearm with the tonearm lift control lever.

Playing a record

Stopping the record

Once the record has been played until the end, the tonearm automatically returns to the tonearm rest.

To manually stop the record, do the following.

1. Lower the volume of the amplifier, speakers, etc. sufficiently.
2. Press the STOP button.
 - Once the record stops playing, the tonearm automatically returns to the tonearm rest.



3. Remove the record after the platter has come to a complete stop.

- When the tonearm reaches the end (center) of the record, it will automatically lift and return to the tonearm rest. Do not interfere with its motion. Doing so can cause the product to malfunction. If the tonearm does not lift and return to the tonearm rest, press the STOP button to complete this operation.
- If the felt mat gets dirty, it can easily scratch the record, so remove the felt mat periodically and wipe off any dust.
- To prevent the record from scratches and warping, remove it after use.
- Do not use a disk stabilizer.
- Do not use a platter other than the one provided.
- This product is not intended for DJs. Do not touch the record or the platter while the record is playing.

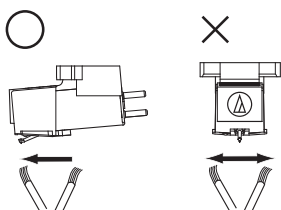
Care

Turntable body

- When the turntable body is dirty or dusty, first disconnect the power cable plug, and then wipe off the dirt and dust with a soft, dry cloth.
- Do not use benzenes, thinners, etc.
- When storing the product for a long time, disconnect the power cable plug from the outlet and wrap the equipment in plastic; do not allow it to become damp.

Stylus tip

- If dirt and grime are stuck to the stylus tip, clean it with a commercially sold brush.
- We recommend using a stylus cleaner (sold separately) if the stylus tip is considerably dirty. Clean the stylus tip by moving the brush from the rear to the front of the stylus tip.

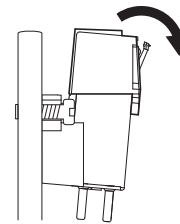


Replacing the stylus

Removing the stylus

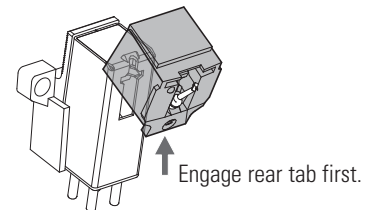
- In addition to the deterioration of sound quality, records may also be damaged as the cartridge's stylus tip wears down.
- As a rule of thumb, replace the stylus after 300 to 500 hours of use.
- Be sure to disconnect the product's power cable plug from the outlet.

1. Release the headshell from the tonearm.
 - Hold the tonearm tightly and then remove the headshell gently.
2. Remove the protector from the cartridge.
3. Remove the stylus by pulling in the direction of the arrow.



Installing a new replacement stylus

1. Mount the new replacement stylus to the cartridge.



2. Mount the protector onto the cartridge.
3. Mount the headshell onto the tonearm.

Replacing a cartridge

Replacing a new cartridge

Refer to the user manual for the cartridge that you will be using if you are replacing the cartridge (AT91R) included with this product with another, commercially sold cartridge. After you replace the old cartridge with a new one, you must readjust the overhang and the tonearm's balance and tracking force.

1. Release the headshell from the tonearm.

- Hold the tonearm tightly and then remove the headshell gently.

2. Remove the stylus from the cartridge.

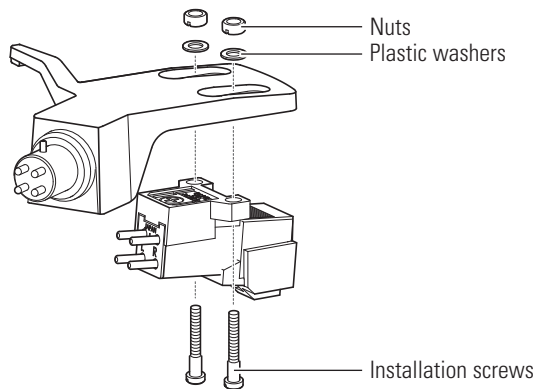
- Refer to "Removing the stylus" on p. 11.

3. Remove the lead wires.

- Be careful not to damage the lead wires.

4. Using a commercially sold, non-metallic slotted screwdriver, remove the installation screws, and then remove the cartridge from the headshell.

5. Refer to the user manual for the new cartridge for mounting instructions.



6. Using a commercially sold, non-metallic slotted screwdriver, tighten the screws in both places, and then adjust the overhang.

- Refer to "Adjusting the overhang" on p. 13.
- After the adjustments are complete, tighten the screws securely.

7. Attach the headshell to the tonearm.

8. Adjust the tonearm balance and tracking force.

- Refer to "Tonearm balance and tracking force" on p. 7 to perform the readjustments.

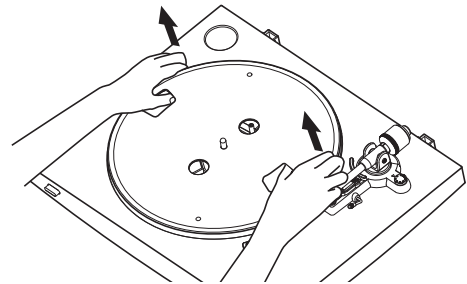
Replacing the belt

- The belt is a consumable part. Replace the belt if the speed of playback slows down or irregular rotation occurs. As a rule of thumb, we suggest replacing the belt once a year.
- Before replacing the belt, be sure to disconnect the product's power cable plug from the outlet.

1. Remove the felt mat.

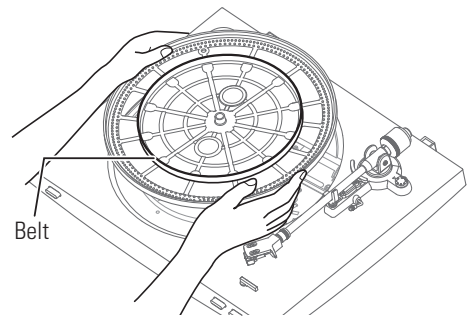
2. Remove the platter, turn the platter over, and then remove the old belt.

- Place your thumbs in the openings and pull up strongly.



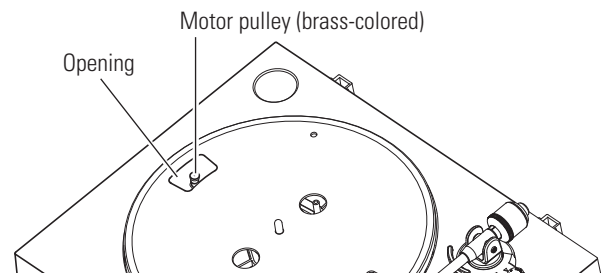
3. Place the new belt around the inner circle.

- Be careful not to twist the belt while doing this.



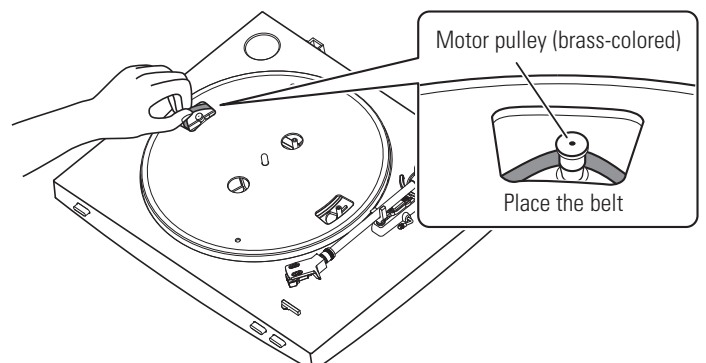
4. Attach the platter.

- Align one of the openings with the position of the motor pulley (brass-colored).



5. Place the belt on the motor pulley (brass-colored).

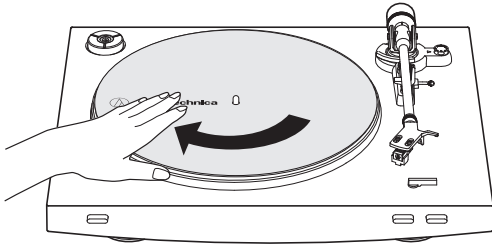
- Grasp the belt that was attached in step 3 and, while pulling it, place it on the brass motor pulley.



Replacing the belt

6. Using your hands, rotate the platter ten times.

- Raise the tonearm lift control lever to lift the tonearm. Slowly rotate the turntable ten times by hand in the direction of the arrow.



When the turntable is moved

Using the product's original packing materials, wrap the turntable in the reverse order from when you unwrapped it. If you do not have the packaging materials, take the following measures:

- After disconnecting the power cable plug from the outlet, remove the felt mat and platter, and then wrap them so that they do not get damaged.
- Use a string or something similar to tie the tonearm to the rest so that it does not move.
- Remove the counterweight.
- Remove the headshell from the tonearm with the protector attached to the cartridge, and then wrap the entire headshell assembly so that it does not get damaged.
- Wrap the turntable body with paper or a soft cloth so that it does not get damaged.

Adjusting the overhang

The position of the cartridge must be accurately determined (adjusting the overhang) when mounting a cartridge or headshell other than the one provided.

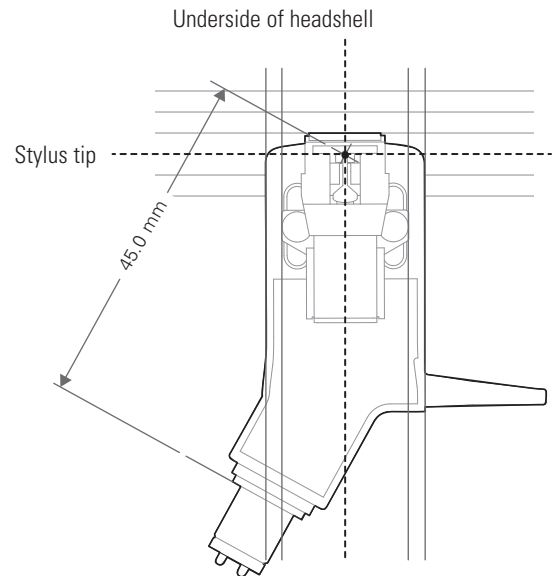
1. Mount the cartridge so it is parallel to the headshell.

- Match up the positions of the cartridge and headshell to the figure below and mount the cartridge so it is parallel to the headshell.

Overhang adjustment guide

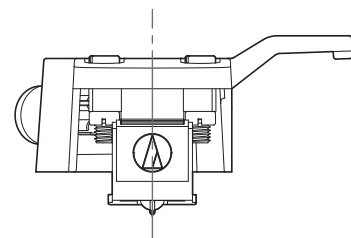
This illustration represents the actual size.

Place the headshell on the figure below, and then adjust the stylus tip of the new cartridge along the lines for the "Stylus tip" of the cartridge.



2. Mount the cartridge so it is perpendicular to the top of the headshell.

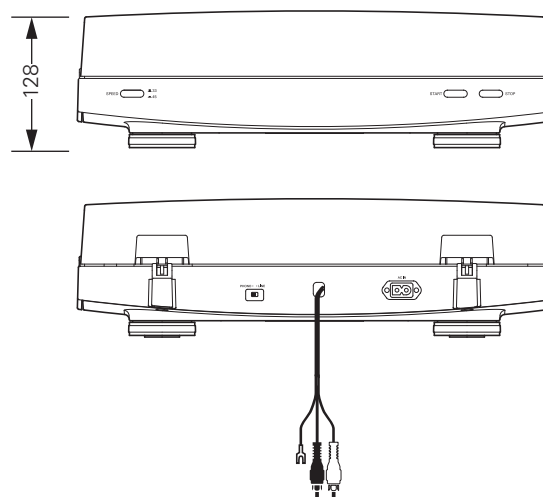
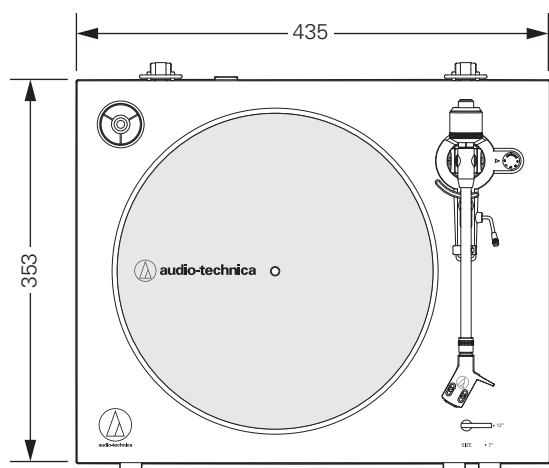
Front of headshell



Troubleshooting

Problem	Solution
The platter does not spin.	<ul style="list-style-type: none"> • Is the power cable plug connected to the outlet? Connect the power cable plug to the outlet. • Has the belt slipped from the platter? Correctly place the belt on the platter. • Is the belt placed on the motor pulley? Check that the belt is placed on the motor pulley (brass-colored) correctly. • Has the belt been damaged? Replace it with a new belt.
The platter spins, but there is no sound or the volume is not loud enough.	<ul style="list-style-type: none"> • Are the function settings and input for connected equipment (amplifier, etc.) selected correctly? Check whether the settings for the connected equipment are correct. • Is the stylus damaged? Check the stylus and replace it, if necessary. • Is the stylus placed correctly on the body of the cartridge? Check the cartridge and adjust it, if necessary. • Are the setting positions for the pre-amplifier selector switch correct? Check that the pre-amplifier settings are correct, noting the following common problems and their causes: <ul style="list-style-type: none"> – If there is no sound, or if the volume is not loud enough, the product is set to the “PHONO” position and connected to the amplifier’s AUX/LINE input. – If the volume is too loud or is distorted, the product is set to the “LINE” position, and the connectable equipment is connected to the PHONO input. • Is the tracking force set too heavy? Adjust the tracking force.
The stylus skips.	<ul style="list-style-type: none"> • Is the tracking force set too light? Adjust the tracking force. • Is the anti-skate set improperly? Verify anti-skate is set for same value as cartridge tracking force. • Is the record warped? Check the record. • Is the record scratched? Check the record.
There is howling.	<ul style="list-style-type: none"> • Is the product picking up excessive vibrations from the floor, surfaces of the walls, or nearby speakers? Decrease the vibrations or mount the product on a surface that is not subject to the effects of vibrations. • Is the product mounted on an unstable surface? Check whether the surface on which the product is mounted is suitable.
There is noise when the record is playing.	<ul style="list-style-type: none"> • Is there dust on the cartridge’s stylus tip? If dust is stuck to the stylus tip, clean it with a commercially sold brush.
The sound when the record is playing is either too fast or too slow.	<ul style="list-style-type: none"> • Are the speed settings for this product correct? Use the platter speed button to select the correct speed for the type of record being played.
Playback speed slows down or there is irregular rotation.	<ul style="list-style-type: none"> • Is the belt stretched out? Replace it with a new belt.
Hum is heard during playback.	<ul style="list-style-type: none"> • Is the ground line connected correctly? Make sure the ground line is properly connected. • Is the headshell attached to the tonearm firmly? Make sure the locking ring is tight.

Dimensions



(Unit: mm)

Specifications

Turntable specifications

Type	2-Speed, fully automatic operation
Motor	DC motor
Drive method	Belt drive
Speeds	33-1/3 RPM, 45 RPM
Turntable platter	Die-cast aluminum
Wow and flutter	< 0.2 % WRMS (33 RPM) at 3 kHz
Signal-to-noise ratio	> 60 dB
Outputs levels "PHONO" "LINE"	3.5 mV nominal at 1 kHz, 5 cm/sec 220 mV nominal at 1 kHz, 5 cm/sec
Phono pre-amp gain	36 dB nominal, RIAA equalized

Tonearm specifications

Type	Static balanced straight shaped w/soft damping control
Effective length	221.5 mm
Overhang	19 mm
Maximum tracking error angle	Less than 3°
Stylus pressure adjustment range	1 to 4 g
Applicable cartridge weight range (including headshell)	14.5 to 20 g

Cartridge and headshell specifications

Cartridge Model	AT91R
Cartridge Type	VM Dual Moving Magnet
Recommended load impedance	47,000 ohms
Output voltage	3.5 mV (mV at 1 kHz, 5 cm/sec)
Stylus	0.6 mil bonded conical
Cantilever	Aluminum pipe
Tracking force range	1.5 to 2.5 g (standard 2.0 g)
Cartridge weight	5.0 g
Headshell model	AT-HS3 BK
Headshell weight	11.1 g
Headshell overhang adjustment	8 mm

General specifications

Power supply requirements	220 to 240 V AC / 50/60 Hz
Power consumption	2 W
Dimensions	435 mm (17.13")×353 mm (13.90")× 128 mm (5.04") (W×D×H)
Weight	5.2 kg (11.46 lbs)
Accessories included	Felt mat, Dust cover, Platter (with drive belt), Counterweight, Headshell (AT-HS3) with VM stereo cartridge (AT91R), 45 RPM adapter, Power cable
Replacement stylus (sold separately)	ATN91R
Replacement headshell (sold separately)	AT-HS3 BK
Replacement belt (sold separately)	AT-LP2X exclusive belt

Specifications are subject to change without notice due to improvements.

Introduction

Nous vous remercions d'avoir fait l'acquisition de ce produit Audio-Technica.

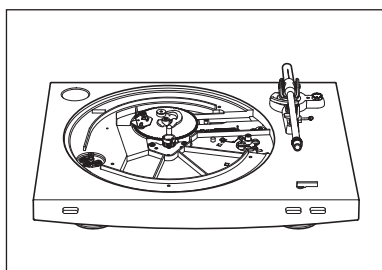
Avant utilisation, merci de lire attentivement ce manuel pour vous assurer du bon usage du produit. De même, veuillez conserver ce manuel ainsi que la garantie pour consultations ultérieures.

Ce produit ne peut être utilisé que dans les pays où il est vendu. Veuillez à ce que la tension d'utilisation du produit corresponde à celle employée dans le pays d'utilisation.

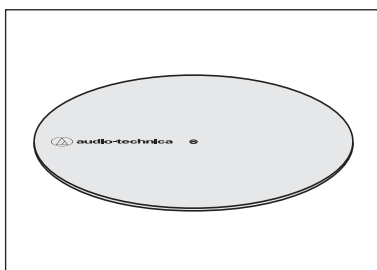
Contenu de l'emballage

Assurez-vous que tous les articles inclus répertoriés sur la liste ci-dessous soient présents avant d'utiliser le produit.

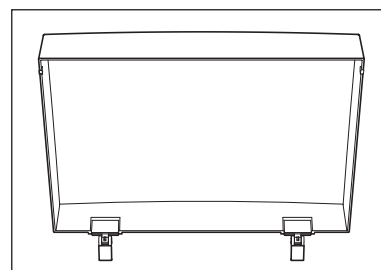
Si certains éléments sont manquants ou endommagés, contactez votre distributeur local Audio-Technica.



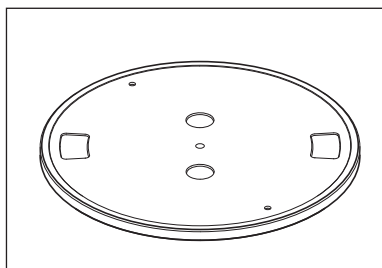
• Corps de plateau de la platine



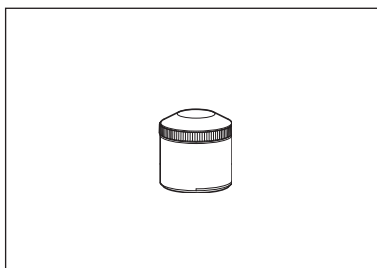
• Tapis de feutre



• Couverture anti-poussière



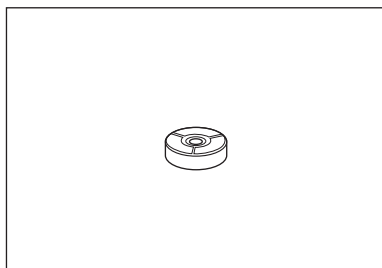
• Plateau (avec courroie d'entraînement)



• Contrepoids



• Porte-cellule (AT-HS3) avec cellule stéréo VM (AT91R)



• Adaptateur 45 tours

- Câble d'alimentation
- Manuel d'utilisation (ce document)

Après l'achat, nous vous suggérons de conserver tous les emballages pour un éventuel stockage, déménagement, ou transport.

Consignes de sécurité

Informations importantes

Avertissement :

Pour éviter tout risque de choc électrique ou d'incendie, n'exposez pas cet appareil à la pluie ou à l'humidité.

Mise en garde :

Protégez cet appareil des projections et des gouttes d'eau.

Pour éviter tout risque de choc électrique, n'ouvrez pas le boîtier.

Confiez tous travaux d'entretien à un technicien qualifié.

N'exposez pas cet équipement à des températures excessives, telles que celles de la lumière directe du soleil, d'une flamme ou autres.

Ne soumettez pas cet équipement à de forts impacts.

Placez l'appareil à proximité d'une prise de courant pour une utilisation aisée du câble d'alimentation.

En cas d'urgence, déconnectez immédiatement la prise du câble d'alimentation de l'appareil.

Ne placez pas d'objets remplis de liquides, tels que des vases, sur l'appareil.

Pour éviter tout risque d'incendie, ne placez pas de flammes nues (telles que des bougies allumées) sur l'appareil.

N'installez pas cet appareil dans un espace confiné tel qu'une étagère ou un endroit similaire.

Installez cet appareil uniquement dans des endroits avec une bonne ventilation.

Remarques d'utilisation

Corps du plateau de la platine

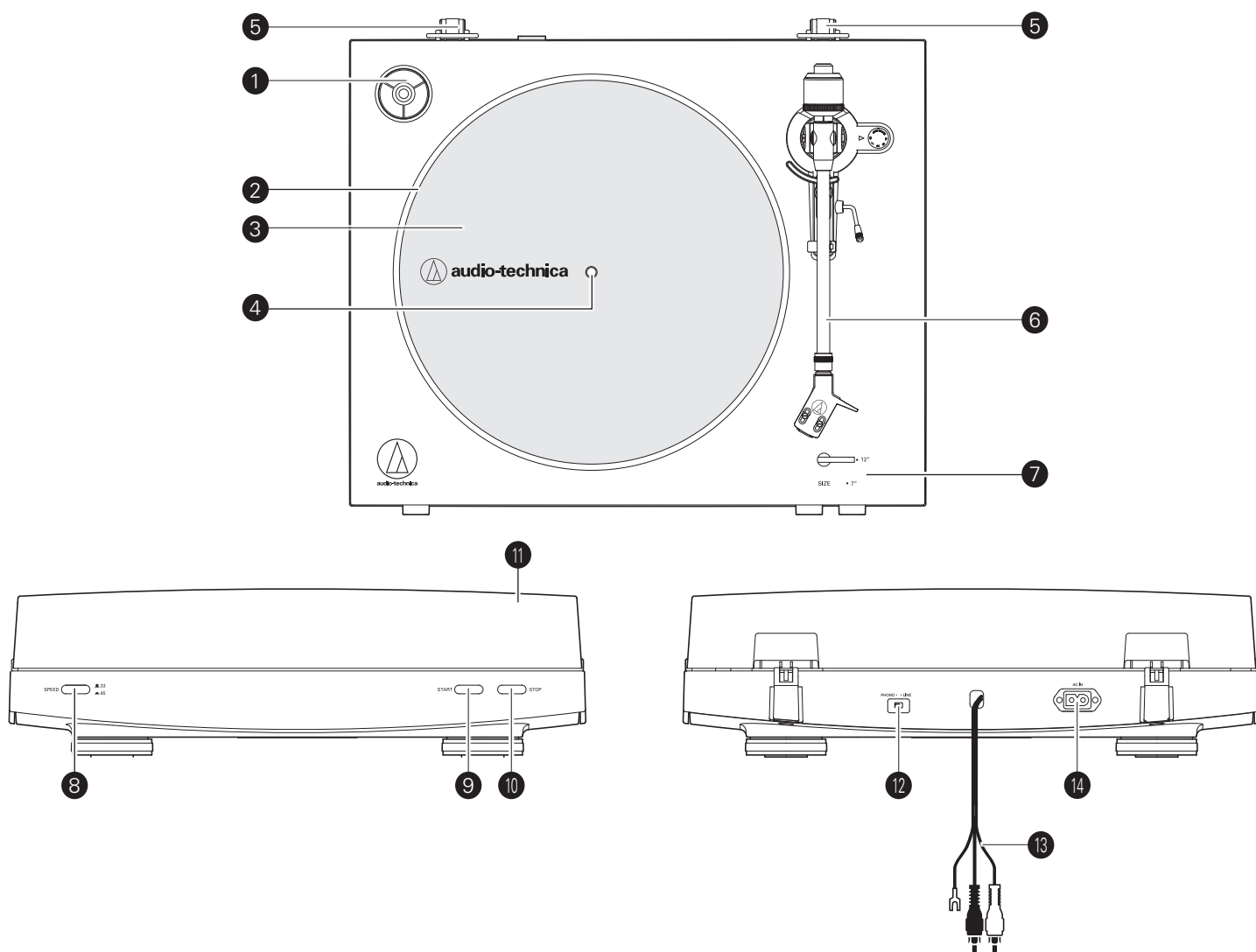
- Ne placez pas et n'utilisez pas le produit dans des endroits soumis à de fortes chaleurs ou une humidité élevée, très sales ou soumis à des vibrations extrêmes.
- Le produit doit être placé sur une surface plane et lisse.

Cellule

- Fixez la protection fournie sur la cellule lorsque le produit n'est pas utilisé.
- Ne touchez pas la pointe de lecture de la cellule avec votre doigt.
- Empêchez la pointe de lecture de percuter le plateau, le tapis de feutre ou le bord du disque.

Noms des pièces et fonctions

Schéma de l'ensemble



1 Adaptateur 45 tours (affiché dans le réceptacle)

Sélectionnez la vitesse du plateau (33-1/3 ou 45 tours).

2 Plateau

3 Tapis de feutre

4 Axe

5 Supports de charnières du couvercle anti-poussière

Points de fixation pour les charnières du couvercle anti-poussière.

6 Bras de lecture

Pour plus de détails, reportez-vous à la section "Bras de lecture" en p. 5.

7 Sélecteur de taille

Permuter entre 12" et 7", en fonction de la taille du disque.

8 Bouton de vitesse du plateau

Sélectionnez la vitesse du plateau (33-1/3 ou 45 tours).

9 Bouton START

Fait tourner le plateau et déplace le bras de lecture.

10 Bouton STOP

Replace le bras de lecture dans sa position d'origine et arrête le plateau.

11 Couvercle anti-poussière

12 Sélecteur de préamplificateur

Si vous utilisez un amplificateur avec une prise entrée PHONO, placez le sélecteur en position PHONO. En cas de connexion d'un amplificateur à la prise AUX, placez ce sélecteur sur la position LINE.

13 Câble audio RCA (avec câble de mise à la terre)

Raccordez la prise d'entrée PHONO (câble de mise à la terre à la borne de mise à la terre, si disponible) ou la prise d'entrée AUX (LINE) d'un récepteur, amplificateur ou autre équipement connecté.

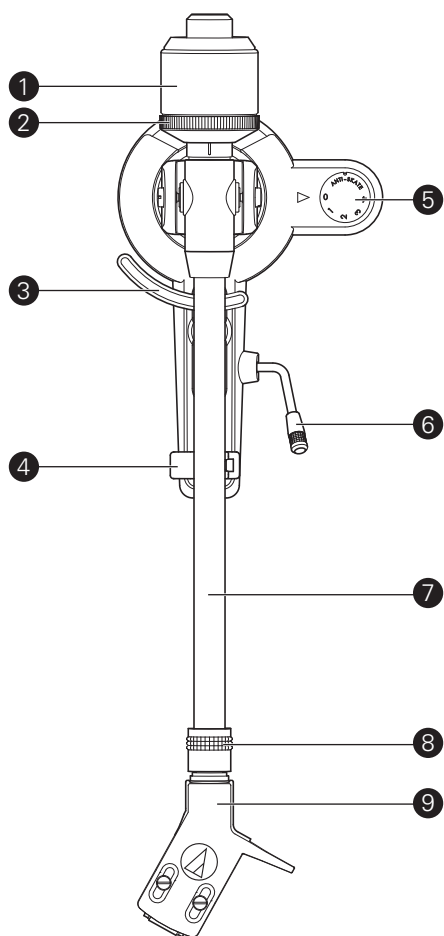
14 Entrée d'alimentation

Insérez le câble d'alimentation ici.

Noms des pièces et fonctions

Bras de lecture

- 1 **Contrepoids**
Équilibre le bras de lecture et permet un réglage pour obtenir la force d'appui adéquate.
- 2 **Bague de réglage de la force d'appui**
Utilisez pour régler la force d'appui.
- 3 **Porte-bras de lecture**
Déplace le bras de lecture verticalement vers et depuis la face du disque.
- 4 **Pose-bras de lecture**
- 5 **Cadran de contrôle anti-skating**
Pendant la lecture du disque, une force agit sur la pointe de lecture pour la tirer vers l'intérieur. Cette force peut être contre-balançée en réglant les mêmes valeurs pour la force anti-skating et la force d'appui.
- 6 **Levier de commande de levage du bras de lecture**
Soulève le bras de lecture.
- 7 **Bras de lecture**
- 8 **Bague de verrouillage**
Tournez la bague vers la gauche (dans le sens anti-horaire) pour fixer le porte-cellule. Pour enlever le porte-cellule, tournez la bague vers la droite.
- 9 **Porte-cellule et cellule**
La cellule (AT91R) est montée sur le porte-cellule (AT-HS3).



Préparation pour l'utilisation

Installation de la platine

- Montez le produit sur une surface plane.
- Pour éviter les effets de vibrations et la pression acoustique, ne montez pas le produit à côté d'éléments tels que des haut-parleurs.
- Le produit peut percevoir des parasites s'il est placé à côté d'une radio. Par conséquent, essayez de garder le produit éloigné des radios.
- Si le produit est proche d'équipements (téléphone portable, etc.) qui émettent de fortes perturbations de radio, des bruits parasites peuvent survenir.

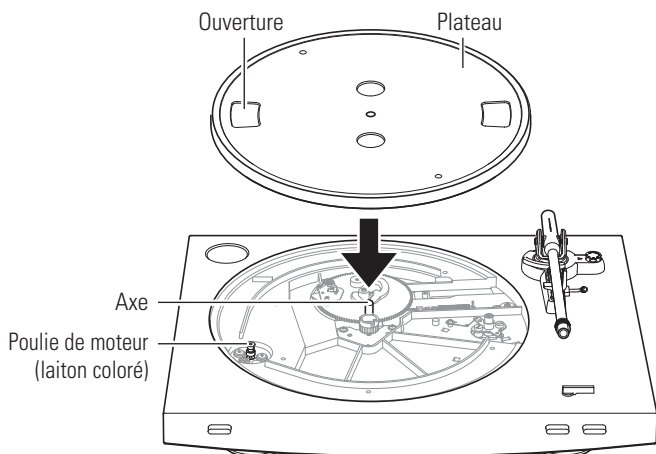
Placement du plateau et du tapis de feutre

Ce produit nécessite un peu de montage avant de l'utiliser pour la première fois.

Ne connectez pas le câble d'alimentation jusqu'à ce que le montage soit terminé.

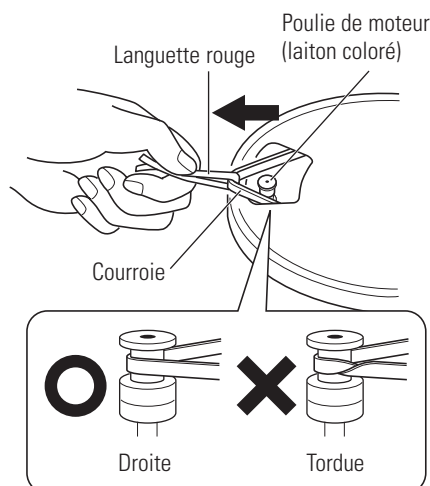
1. Placez le plateau sur l'axe.

- Assurez-vous que le plateau est correctement installé sur l'axe.

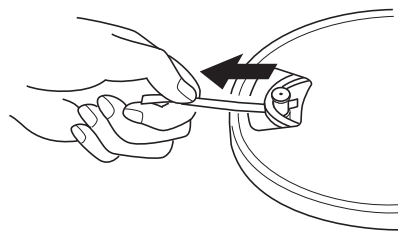


2. Placez la courroie sur la poulie du moteur (laiton coloré).

- Alignez une des ouvertures du plateau avec la poulie du moteur en laiton, et, tout en tirant les deux extrémités de la languette rouge qui est fixée sur la courroie, placez la courroie sur la poulie du moteur, selon le schéma. Tout en effectuant cette opération, veillez à ne pas tordre la courroie.

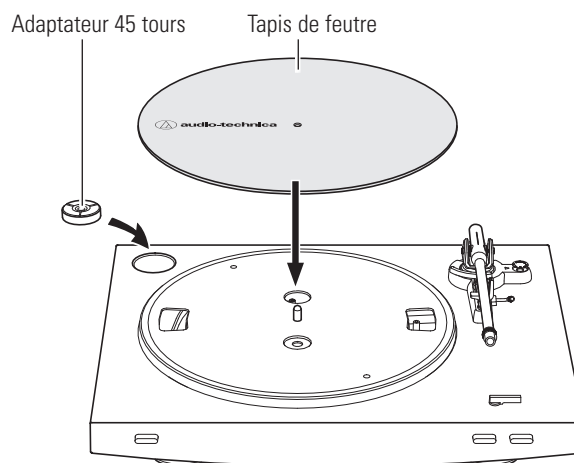


3. Déposez la languette rouge de la courroie.



4. Placez le tapis de feutre sur le plateau.

- Après avoir placé le tapis de feutre, placez l'adaptateur 45 tours dans l'espace prévu à cet effet dans le coin supérieur gauche.

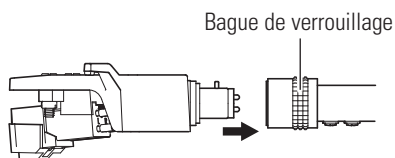


Préparation pour l'utilisation

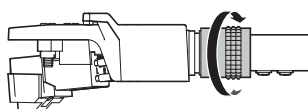
Montage du bras de lecture

1. Insérez le porte-cellule dans la bague de verrouillage.

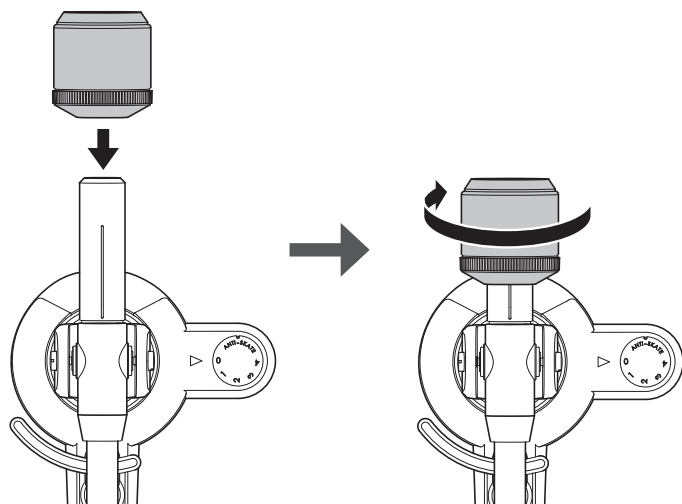
- Maintenez les bords gauche et droit du porte-cellule afin de ne pas endommager la pointe de lecture ou couper les fils de la cellule.



2. Une fois le porte-cellule inséré, tournez la bague de verrouillage dans le sens anti-horaire (vers la gauche).



3. Avec la bague de réglage de la force d'appui face vers l'avant, fixez le contre-poids à l'arrière du bras de lecture, et tournez-le lentement dans le sens anti-horaire (vers la gauche).



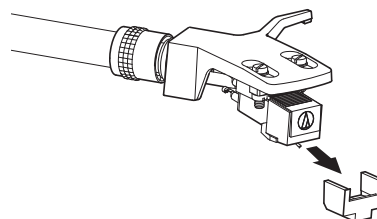
Équilibre du bras de lecture et force d'appui

Afin que la cellule perçoive correctement le son des rainures du disque, l'équilibre du bras de lecture et la force d'appui doivent être réglés pour s'adapter aux spécifications de la cellule. Si l'équilibre du bras de lecture et la force d'appui ne sont pas correctement ajustés, le disque ou la pointe de lecture de la cellule peuvent s'endommager.

- Ne faites pas glisser la pointe de lecture de la cellule sur le disque ou le tapis de feutre lors du réglage de l'équilibre du bras de lecture ou de la force d'appui. Dans un tel cas, la pointe de lecture peut s'endommager.

Réglage de l'équilibre du bras de lecture

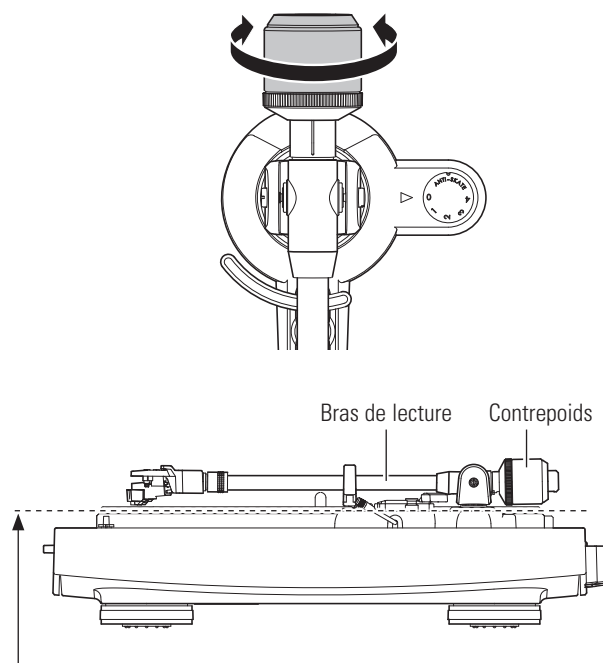
1. Retirez le protecteur de cellule.



2. Tout en maintenant le porte-cellule, déposez l'attache-câble utilisé pour fixer le bras de lecture au moment de la livraison.

3. Tout en tenant encore légèrement le porte-cellule, tournez le contre-poids pour régler l'équilibre du bras de lecture.

- Ajustez l'équilibre de sorte que le bras de lecture soit à niveau lorsque vous libérez le porte-cellule.



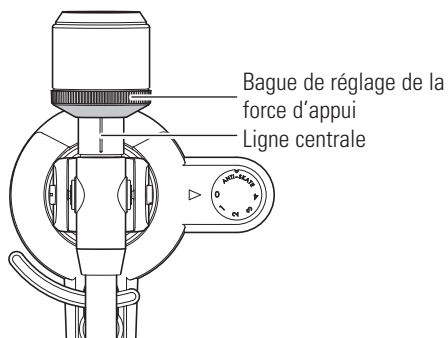
Ajustez de sorte que le bras de lecture soit à niveau

4. Reposez le bras de lecture sur le pose-bras de lecture.

Préparation pour l'utilisation

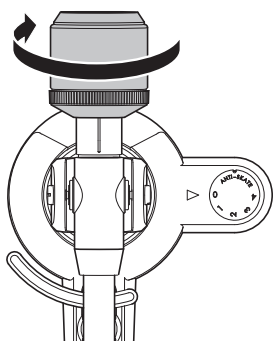
Réglage de la force d'appui

1. Tout en maintenant le contrepois afin qu'il ne bouge pas, tournez la bague de réglage de la force d'appui de sorte que sa position "0" s'aligne avec la ligne centrale à l'arrière du bras de lecture (la force d'appui n'est pas simplement réglée en tournant la bague de réglage de la force d'appui).



2. Tournez le contrepois et la bague de réglage de la force d'appui dans le sens anti-horaire jusqu'à ce que la valeur de la ligne centrale corresponde à la valeur de la force d'appui pour la cellule utilisée.

- Reportez-vous aux spécifications du fabricant de cellules en ce qui concerne la valeur de la force d'appui recommandée.
- La valeur de force d'appui pour la cellule fournie avec ce produit est de 2,0 g.

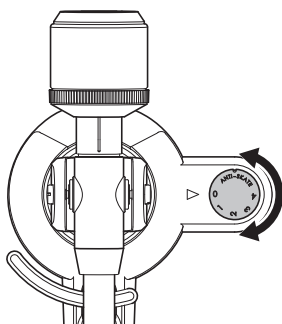


Réglage de l'ajustement anti-skating

Pendant la lecture du disque, une force agit sur la pointe de lecture pour la tirer vers l'intérieur. Cette force peut être contre-balançée en réglant les mêmes valeurs pour la force anti-skating et d'appui.

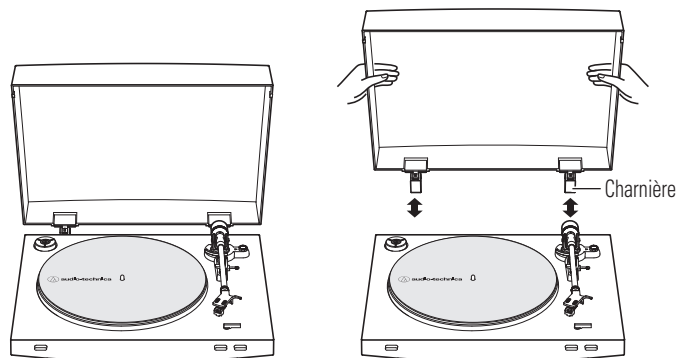
1. Réglez le cadran de contrôle anti-skating pour avoir la même valeur que la valeur de force d'appui.

- La valeur de force d'appui pour la cellule fournie avec ce produit est de 2,0 g.



Installation/dépose du couvercle anti-poussière

Lors de la fixation du couvercle anti-poussière, insérez les charnières du couvercle anti-poussière dans les deux supports de charnière à l'arrière du corps. Lors du retrait du couvercle anti-poussière, tirez doucement le couvercle anti-poussière hors des supports de charnière.



Réglage du sélecteur de préamplificateur

Ce produit a une fonction d'égaliseur phono intégré. Vous pouvez utiliser le produit, même si vous n'avez pas d'amplificateur phono ou d'équipement connecté avec un amplificateur phono intégré.

Utilisez le sélecteur de préamplificateur pour régler la sortie, comme affiché ci-dessous.

Équipement connecté en cours d'utilisation	Position du sélecteur de préamplificateur	Où brancher le câble audio RCA
Appareil avec entrée phono	PHONO	Prise d'entrée phono et borne de mise à la masse (terre) de l'équipement connecté
Appareil sans entrée phono	LINE	AUX ou prise d'entrée LINE de l'équipement connecté
Carte son de PC	LINE	Prise d'entrée LINE de carte son de PC ^{*1}

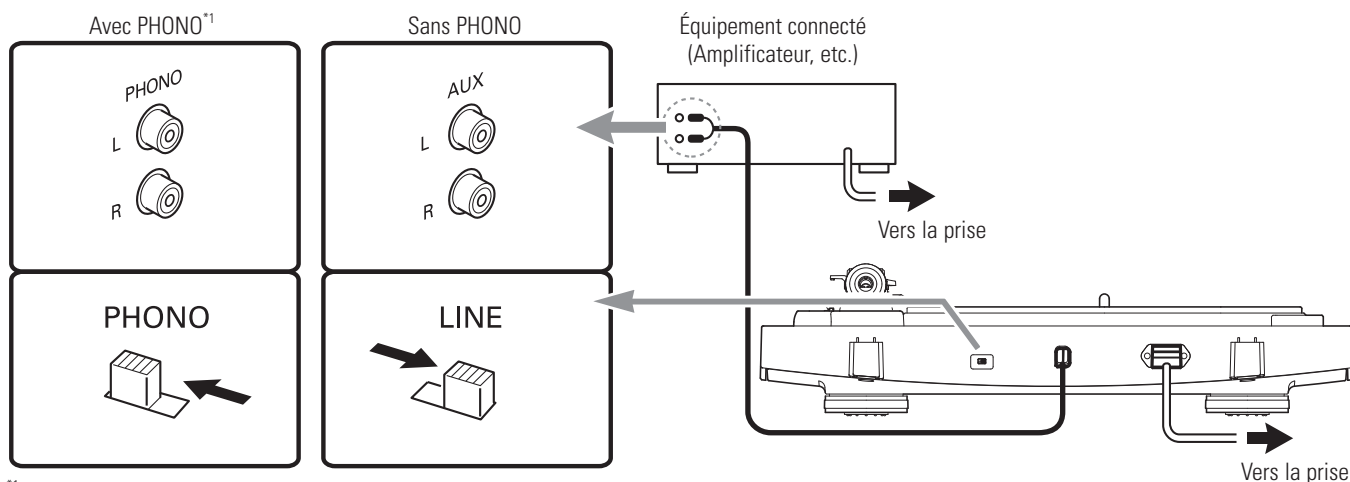
^{*1}Un adaptateur audio (vendu séparément) sera peut-être nécessaire pour brancher le câble audio RCA à la prise d'entrée LINE de la carte son du PC.

Préparation pour l'utilisation

Raccordement de l'appareil

Alignez les réglages pour le sélecteur de préamplificateur et branchez le câble audio RCA à une prise d'entrée qui est compatible avec l'équipement connecté utilisé (amplificateur, récepteur, haut-parleurs actifs, carte son, etc.).

- La prise rouge du câble audio RCA correspond au canal droit (R), et la prise blanche correspond au canal gauche (L).

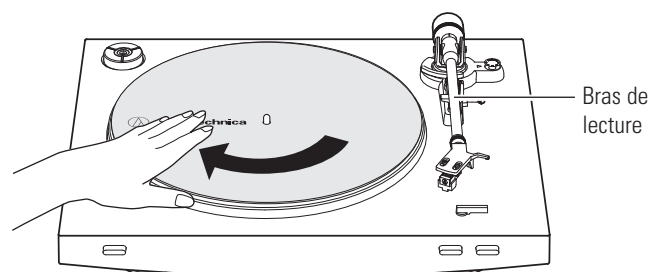


**En fonction de l'équipement connecté que vous utilisez, une borne de masse (terre) devra peut-être être présente à proximité de la prise d'entrée phono. Si tel est le cas, raccordez le câble de masse du câble audio RCA à ce dernier. Cela empêchera un faible bourdonnement qui pourrait sinon être entendu pendant la lecture.

Rotation du plateau

1. Faites tourner dix fois le plateau en vous aidant de vos mains.

- Soulevez le levier de commande du bras de lecture. Faites tourner lentement, à la main, la platine à dix reprises dans le sens de la flèche.
- Veuillez maintenir le bras de lecture pour éviter qu'il ne bouge. Cette étape permet de réinitialiser le mécanisme automatique, de vous débarrasser des torsades dans la courroie et de vous assurer que la courroie roule en douceur le long du bord d'entraînement sous plateau.

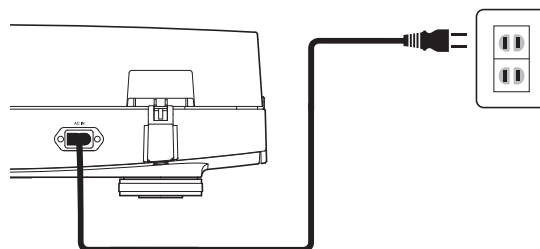


Raccordement du câble d'alimentation

Ce produit n'a pas d'interrupteur d'alimentation. un courant de veille parcourt en permanence le produit, même lorsqu'il n'est pas utilisé ; débranchez la fiche du câble d'alimentation de la prise lorsque le produit n'est pas utilisé pendant une longue période de temps.

1. Branchez la fiche du câble d'alimentation à la prise.

- Pour une question de sécurité, soulevez le bras de lecture en levant le levier jusqu'à la position "UP".
- Branchez la fiche du câble d'alimentation à la prise sans enlever la protection de la cellule. Si le plateau tourne, appuyez sur le bouton STOP sans toucher le bras de lecture, puis patientez jusqu'à ce que le bras de lecture revienne dans sa position d'origine.
- Si vous mettez un disque immédiatement après avoir inséré le câble d'alimentation, le son émis peut être déformé. Patientez un peu (environ 30 secondes) après avoir branché la fiche du câble d'alimentation dans la prise avant de lancer la lecture du disque.

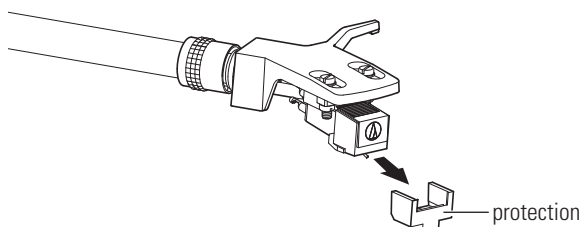


Lecture d'un disque

Avant la lecture d'un disque

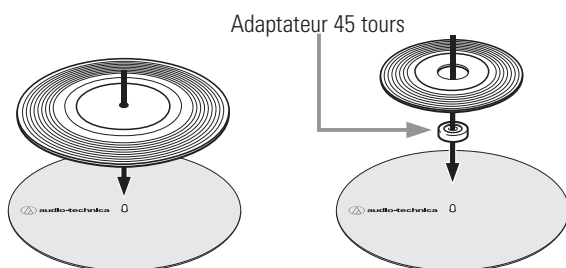
1. Retirez le protecteur de cellule.

- Tirez la protection vers l'avant pour l'enlever.
- Appliquer une force vers le bas peut avoir pour conséquence que la pointe se détache du corps. Seul un faible volume est émis si la pointe s'est détachée, ou est sur le point de se détacher, reportez-vous alors à "Remplacement de la pointe" en p. 11 pour rattacher la pointe correctement.



2. Placez le disque sur le tapis de feutre de sorte que l'orifice au centre soit aligné avec l'axe.

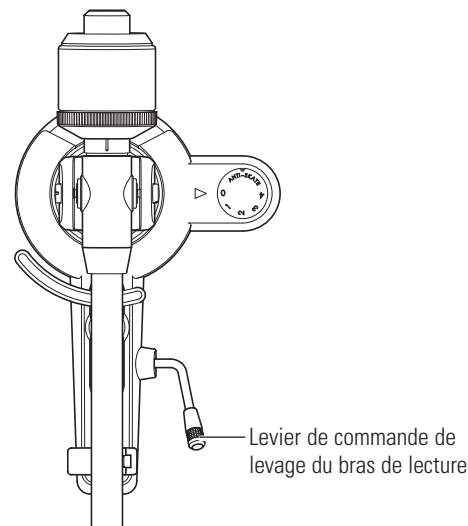
- Lors de la lecture d'un disque 45 tours avec un large trou central, fixez l'adaptateur 45 tours (voir le côté droit du diagramme ci-dessous).



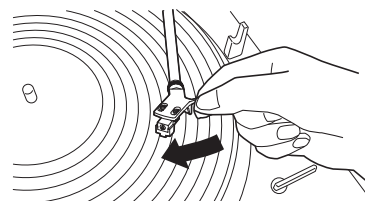
Fonctionnement manuel

Baissez le volume de l'amplificateur, des haut-parleurs, etc., de manière suffisante.

1. Relevez le bras de lecture en plaçant le levier de levage en position relevée "UP".



2. Placez le bras de lecture à l'endroit désiré (sillon) sur le disque.



3. Abaissez le bras de lecture en baissant le levier de levage en position "DOWN". Le bras de lecture descend lentement sur le disque et la lecture commence.

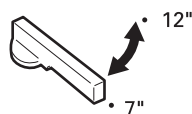
- Sinon, vous pouvez passer les étapes de 1 à 3, et utiliser le petit levier sur le porte-cellule afin de positionner le bras de lecture sur l'endroit désiré du disque. Puis abaissez avec précaution le bras sur le disque.
- Ne soumettez pas le produit à de forts impacts pendant la lecture.

Fonctionnement automatique

Baissez le volume de l'amplificateur, des haut-parleurs, etc., de manière suffisante.

1. Sélectionnez la taille avec le sélecteur de taille.

- Sélectionnez "12"" pour un disque LP avec un diamètre de 12", et "7"" pour un disque 45 tours avec un diamètre de 7".



2. Appuyez sur vitesse à l'aide du bouton de vitesse du plateau.

- Sélectionnez "33" pour un disque 33 -1/3 tours, et "45" pour un disque 45 tours.



3. Appuyez sur le bouton START.

- Ne cognez pas le produit alors que le disque tourne.
- Ne permutiez pas la sélection de taille du disque pendant que le disque tourne. Le produit pourrait présenter un dysfonctionnement.



Interrompre la lecture du disque

1. Après avoir baissé le volume de l'amplificateur, des haut-parleurs, etc., de manière suffisante, levez le bras de lecture à l'aide du levier.

Lecture d'un disque

Arrêt du disque

Lorsque la lecture du disque est arrivée à la fin, le bras de lecture revient automatiquement au pose-bras de lecture.

Pour arrêter manuellement le disque, effectuez les opérations suivantes.

1. Baissez le volume de l'amplificateur, des haut-parleurs, etc., de manière suffisante.
2. Appuyez sur le bouton STOP.
 - Dès que le disque s'arrête, le bras de lecture revient automatiquement au pose-bras de lecture.



3. Enlevez le disque une fois que le plateau est à l'arrêt complet.

- Lorsque le bras de lecture atteint l'extrémité (centre) du disque, il se lève automatiquement et revient sur le pose-bras de lecture. N'interférez pas dans son déplacement. Le produit pourrait présenter un dysfonctionnement. Si le bras de lecture ne se lève pas et ne revient pas sur le pose-bras de lecture, appuyez sur le bouton STOP pour terminer cette opération.
- Si le tapis de feutre est sali, il peut aisément rayer le disque, enlevez donc régulièrement le tapis de feutre et enlevez toutes les impuretés.
- Pour éviter que le disque ne soit rayé et déformé, enlevez-le après utilisation.
- N'utilisez pas de stabilisateur de disque.
- N'utilisez pas un autre plateau que celui fourni.
- Ce produit n'est pas conçu pour les DJ. Ne touchez pas le disque ou le plateau pendant que le disque tourne.

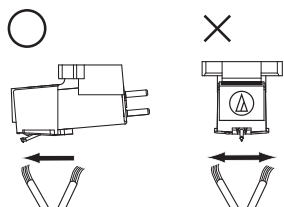
Entretien

Corps du plateau de la platine

- Lorsque le corps d'une platine est sale ou poussiéreux, débranchez d'abord la fiche du câble d'alimentation, puis essuyez les impuretés et poussières avec un chiffon doux et sec.
- N'utilisez pas de benzènes, de dissolvants, etc.
- Lors du stockage du produit pendant une longue période, débranchez la fiche du câble d'alimentation de la prise et enroulez l'équipement dans un emballage plastique ; évitez qu'il ne prenne l'humidité.

Pointe de lecture

- Si des impuretés et des crasses sont collées à la pointe de lecture, nettoyez-la à l'aide d'une brosse adaptée vendue dans le commerce.
- Nous vous recommandons d'utiliser un nettoyant pour pointe de lecture (vendu séparément) si la pointe est très sale. Nettoyez la pointe de lecture en déplaçant la brosse adaptée de l'arrière vers l'avant de la pointe de lecture.

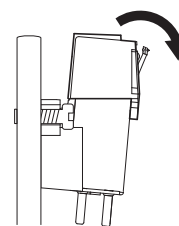


Remplacement de la pointe de lecture

Enlever la pointe de lecture

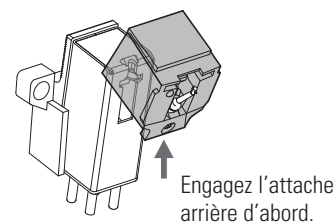
- Outre la détérioration de la qualité du son, les disques peuvent également être endommagés si la pointe de lecture de la cellule est usée.
- Une règle d'or : remplacez la pointe après 300 à 500 heures d'utilisation.
- Veillez à débrancher la fiche du câble d'alimentation du produit de la prise.

1. Enlevez le porte-cellule du bras de lecture.
 - Maintenez le bras de lecture fermement ; puis, enlevez doucement le porte-cellule.
2. Enlevez la protection de la cellule.
3. Enlevez la pointe en tirant dans le sens de la flèche.



Installation d'une nouvelle pointe de lecture

1. Montez la nouvelle pointe de lecture de remplacement sur la cellule.



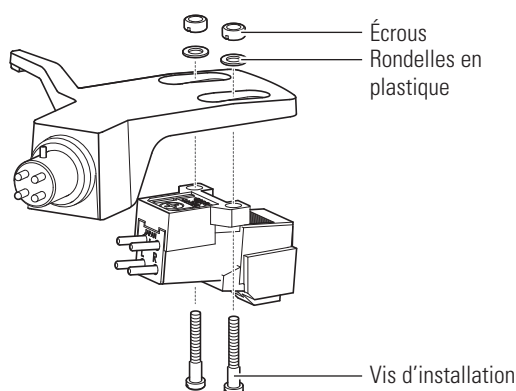
2. Installez la protection sur la cellule.
3. Installez le porte-cellule sur le bras de lecture.

Remplacement d'une cellule

Remplacement par une nouvelle cellule

Reportez-vous au manuel d'utilisation pour la cellule que vous utilisez si vous remplacez la cellule (AT91R) incluse avec ce produit par une autre cellule vendue dans le commerce. Après avoir remplacé l'ancienne cellule par une neuve, vous devez réajuster l'overhang, l'équilibre du bras de lecture et la force d'appui.

1. **Enlevez le porte-cellule du bras de lecture.**
 - Maintenez le bras de lecture fermement ; puis, enlevez doucement le porte-cellule.
2. **Enlevez la pointe de la cellule.**
 - Reportez-vous à "Enlever la pointe de lecture" en p. 11.
3. **Enlevez les fils de câble.**
 - Veillez à ne pas endommager les fils de câbles.
4. **À l'aide d'un tournevis fendu non métallique vendu dans le commerce, enlevez les vis d'installation, puis enlevez la cellule du porte-cellule.**
5. **Reportez-vous au manuel d'utilisation pour les instructions de montage de la nouvelle cellule.**

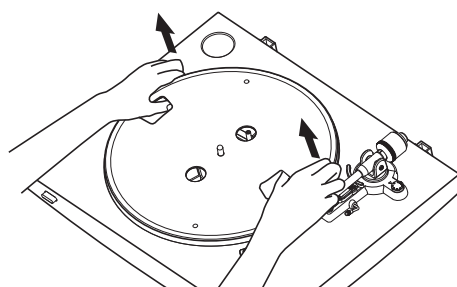


6. **À l'aide d'un tournevis fendu non métallique vendu dans le commerce, serrez les vis dans les deux emplacements, puis ajustez l'overhang.**
 - Reportez-vous à "Réglage de l'overhang" en p. 13.
 - Une fois les réglages terminés, serrez les vis solidement.
7. **Fixez le porte-cellule au bras de lecture.**
8. **Régalez l'équilibre du bras de lecture et la force d'appui.**
 - Reportez-vous à "Équilibre du bras de lecture et force d'appui" en p. 7 pour effectuer les ajustements.

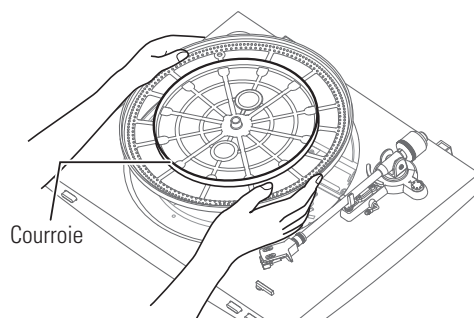
Remplacement de la courroie

- La courroie est un élément consommable. Remplacez la courroie si la vitesse de lecture ralentit ou tourne de manière irrégulière. Comme règle d'or, nous suggérons de remplacer la courroie une fois par an.
- Avant de remplacer la courroie, veillez à débrancher la fiche du câble d'alimentation du produit, de la fiche.

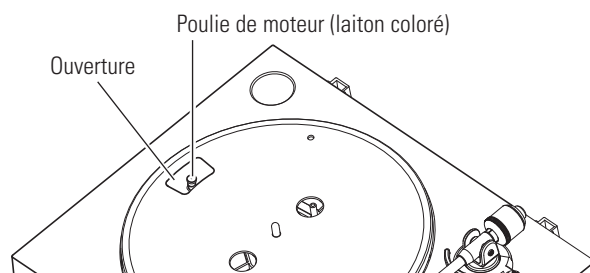
1. **Déposez le tapis de feutre.**
2. **Déposez le plateau, tournez le plateau, puis enlevez l'ancienne courroie.**
 - Placez vos pouces dans les ouvertures et tirez fortement vers le haut.



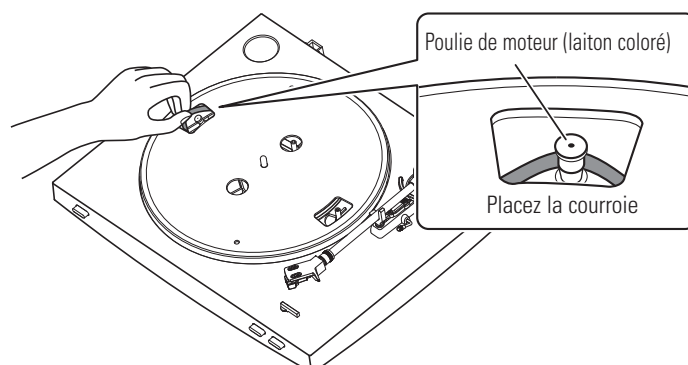
3. **Placez la nouvelle courroie autour du cercle intérieur.**
 - Veillez à ce que la courroie ne se torde pendant l'opération.



4. **Fixez le plateau.**
 - Alignez une des ouvertures avec la position de la poulie du moteur (laiton coloré).



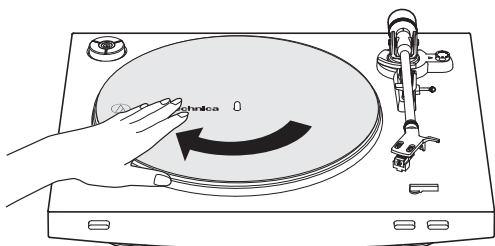
5. **Placez la courroie sur la poulie du moteur (laiton coloré).**
 - Saisissez la courroie attachée à l'étape 3 et, tout en la tirant, placez-la sur la poulie du moteur.



Remplacement de la courroie

6. Faites tourner dix fois le plateau en vous aidant de vos mains.

- Soulevez le levier de commande du bras de lecture. Faites tourner lentement, à la main, la platine à dix reprises dans le sens de la flèche.



Lors du transport de la platine

À l'aide du matériel d'emballage d'origine du produit, emballez la platine dans le sens inverse du déballage. Si vous n'avez pas de matériel d'emballage, prenez les mesures suivantes :

- Après avoir débranché la fiche du câble d'alimentation de la prise, enlevez le tapis de feutre et le plateau, puis emballez-les afin qu'ils ne s'abîment pas.
- Utilisez une corde ou quelque chose de semblable pour attacher le bras de lecture au pose-bras de lecture afin qu'il ne bouge pas.
- Enlevez le contrepoids.
- Enlevez le porte-cellule du bras de lecture avec la protection fixée à la cellule, puis emballez l'ensemble du porte-cellule afin qu'il ne s'abîme pas.
- Emballez le corps de la platine avec du papier ou un chiffon doux afin qu'il ne s'endommage pas.

Réglage de l'overhang

La position de la cellule doit être définie avec précision (réglage de l'overhang) lors du montage d'une cellule ou d'un porte-cellule autre que celui fourni.

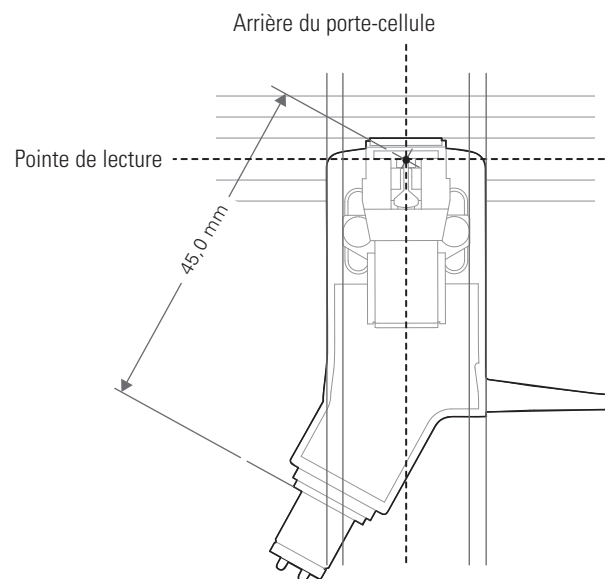
1. Montez la cellule pour qu'elle soit parallèle au porte-cellule.

- Faites correspondre les positions de la cellule et du porte-cellule au schéma ci-dessous et montez la cellule afin qu'elle soit parallèle au porte-cellule.

Guide pour le réglage de l'overhang

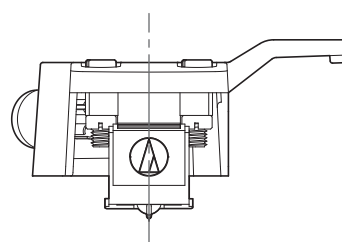
Cette illustration est à taille réelle.

Placez le porte-cellule sur le schéma ci-dessous, puis réglez la pointe de lecture de la nouvelle cellule le long des lignes pour la "Pointe de lecture" de la cellule.



2. Installez la cellule afin qu'elle soit perpendiculaire au haut du porte-cellule.

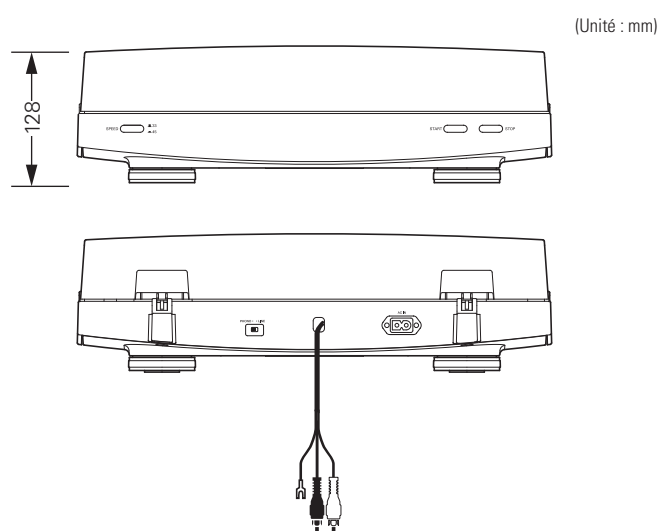
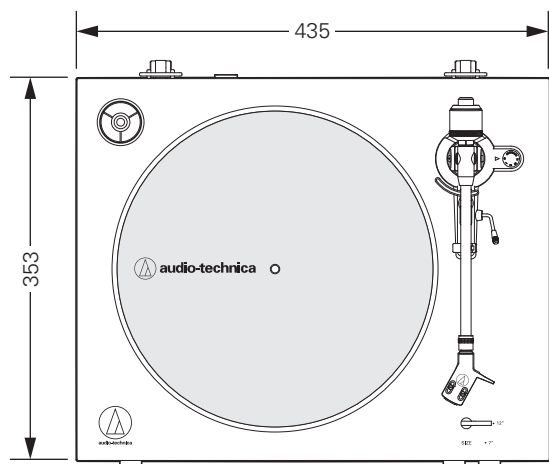
Avant du porte-cellule



Dépannage

Problème	Solution
Le plateau ne tourne pas.	<ul style="list-style-type: none"> • La fiche du câble d'alimentation est-elle branchée à la prise ? Branchez la fiche du câble d'alimentation à la prise. • La courroie a-t-elle glissé du plateau ? Placez correctement la courroie sur le plateau. • La courroie est-elle placée sur la poulie du moteur ? Assurez-vous que la courroie soit placée correctement sur la poulie du moteur (laiton coloré). • La courroie a-t-elle été endommagée ? Remplacez-la par une neuve.
Le plateau tourne mais aucun son n'en sort ou le volume n'est pas assez fort.	<ul style="list-style-type: none"> • Les paramètres de fonction et l'entrée pour un équipement connecté (amplificateurs, etc,...) sont-ils correctement sélectionnés ? Vérifiez que les paramètres pour l'équipement connecté sont corrects. • La pointe est-elle endommagée ? Vérifiez la pointe et remplacez-la, si nécessaire. • La pointe est-elle placée correctement sur le corps de la cellule ? Vérifiez la cellule et réglez-la, si nécessaire. • Les positions de réglage pour le sélecteur de préamplificateur sont-ils corrects ? Assurez-vous que les réglages du pré-amplificateur soient corrects, en notant les problèmes courants suivants et leurs causes : <ul style="list-style-type: none"> – S'il n'y a pas de son, ou si le volume n'est pas assez fort, le produit est réglé sur la position "PHONO" et raccordé à l'entrée AUX/LINE de l'amplificateur. – Si le volume est trop fort ou est déformé, le produit est réglé en position "LINE", et l'équipement connecté est raccordé à l'entrée PHONO. • La force d'appui est-elle trop forte ? Réglez la force d'appui.
La pointe saute.	<ul style="list-style-type: none"> • La force d'appui est-elle trop faible ? Réglez la force d'appui. • L'anti-skating est-il mal réglé ? Vérifiez que l'anti-skating a été réglé sur la même valeur que la force d'appui de la cellule. • Le disque est-il déformé ? Vérifiez le disque. • Le disque est-il rayé ? Vérifiez le disque.
Il y a des vibrations.	<ul style="list-style-type: none"> • Le produit perçoit-il trop de vibrations du sol, des surfaces des parois, ou des haut-parleurs à proximité ? Diminuez les vibrations ou installez le produit sur une surface qui n'est pas soumise à des effets de vibrations. • Le produit est-il monté sur une surface instable ? Vérifiez que la surface sur laquelle le produit est monté est appropriée.
Il y a un bruit lorsque le disque tourne.	<ul style="list-style-type: none"> • Y-a-t-il des impuretés sur la pointe de lecture de la cellule ? Si des impuretés sont collées sur la pointe de lecture, nettoyez-la à l'aide d'une brosse adaptée vendue dans le commerce.
Le son lorsque le disque tourne est trop rapide ou trop lent.	<ul style="list-style-type: none"> • Le réglage de la vitesse est-il correct pour ce produit ? Utilisez le bouton de vitesse de plateau pour sélectionner la vitesse correcte pour le type de disque en cours de lecture.
La vitesse de lecture ralentit ou la rotation est irrégulière.	<ul style="list-style-type: none"> • La courroie est-elle détendue ? Remplacez-la par une neuve.
On entend un bourdonnement pendant la lecture.	<ul style="list-style-type: none"> • La ligne à la terre est-elle correctement branchée ? Vérifiez que la ligne à la terre est correctement raccordée. • Le porte-cellule est-il solidement fixé au bras de lecture ? Vérifiez que la bague de verrouillage est serrée.

Dimensions



Spécifications

Caractéristiques de la platine

Type	2 vitesses, fonctionnement entièrement automatique
Moteur	Moteur CC
Mécanisme d'entraînement	Entraînement par courroie
Vitesses	33-1/3 tr/min, 45 tr/min
Plateau de la platine	Aluminium moulé
Fluctuations de vitesse	< 0,2 % WRMS (33 tours) à 3 kHz
Rapport signal-bruit	>60 dB
Niveaux de sortie "PHONO"	3,5 mV nominal à 1 kHz, 5 cm/sec
"LINE"	220 mV nominal à 1 kHz, 5 cm/sec
Gain du préamplificateur phono	36 dB nominal, égalisé RIAA

Caractéristiques du bras de lecture

Type	Droit à équilibre statique avec commande d'amortissement souple
Longueur réelle	221,5 mm
Réglage de l'avance de la cellule	19 mm
Angle maximal d'erreur de piste	Moins de 3 °
Ajustement de la force d'appui vertical	1 à 4 g
Poids de cellule applicable (porte-cellule inclus)	14,5 à 20 g

Caractéristiques du porte-cellule et de la cellule

Modèle de cellule	AT91R
Type de cellule	Double aimant mobile VM
Impédance de charge recommandée	47 000 ohms
Tension de sortie	3,5 mV (mV à 1 kHz, 5 cm/sec)
Pointe de lecture	0,6 mil conique collée
Cantilever	Tuyau en aluminium
Plage de force d'appui	1,5 à 2,5 g (standard à 2,0 g)
Poids de la cellule	5,0 g
Porte-cellule	AT-HS3 BK
Poids du porte-cellule	11,1 g
Réglage vertical du porte-cellule	8 mm

Caractéristiques générales

Alimentation requise	220 à 240 V AC / 50/60 Hz
Consommation énergétique	2 W
Dimensions	435 mm x 353 mm x 128 mm (L x l x P)
Poids	5,2 kg
Accessoires inclus	Tapis de feutre, Couvercle anti-poussière, Plateau (avec courroie d'entraînement), Contrepoids, Porte-cellule (AT-HS3) avec cellule stéréo VM (AT91R), adaptateur 45 tours, câble d'alimentation
Pointe de remplacement (Vendue séparément)	ATN91R
Porte-cellule de remplacement (Vendu séparément)	AT-HS3 BK
Courroie de remplacement (Vendue séparément)	Courroie exclusive AT-LP2X

Les caractéristiques sont susceptibles d'être modifiées sans notification préalable suite à des améliorations.

Einführung

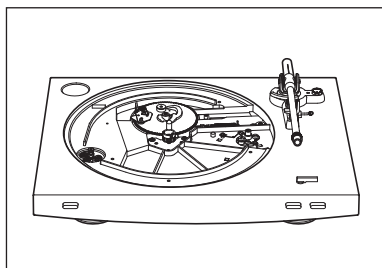
Vielen Dank für den Kauf dieses Audio-Technica-Produktes.

Lesen Sie vor dem Gebrauch des Produktes diese Bedienungsanleitung für eine ordnungsgemäße Nutzung. Bewahren Sie diese Anleitung zudem gemeinsam mit der Garantie zur zukünftigen Bezugnahme sicher auf.

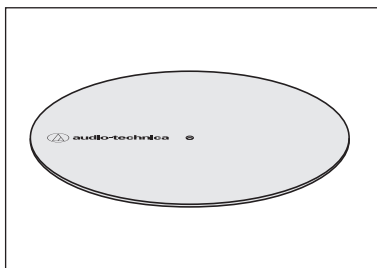
Dieses Produkt darf nur in den Ländern verwendet werden, in denen das Produkt verkauft wird. Stellen Sie sicher, dass die Betriebsspannung des Produkts für das Land, in dem Sie leben, richtig ist.

Verpackungsinhalt

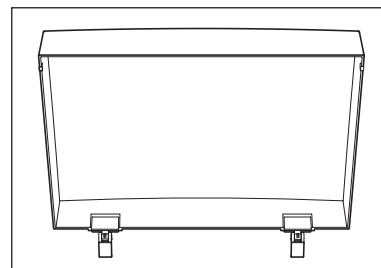
Vergewissern Sie sich vor der Verwendung dieses Produktes, dass alle unten genannten Teile vorhanden sind. Sollten Teile fehlen oder beschädigt sein, wenden Sie sich an Ihren Audio-Technica-Händler vor Ort.



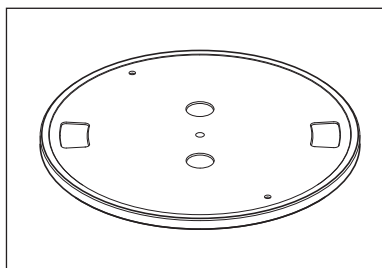
• Plattenspieler



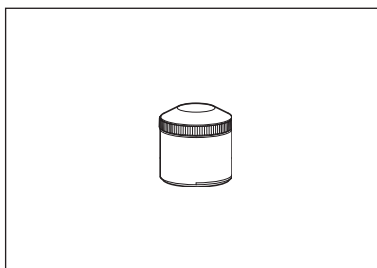
• Filzmatte



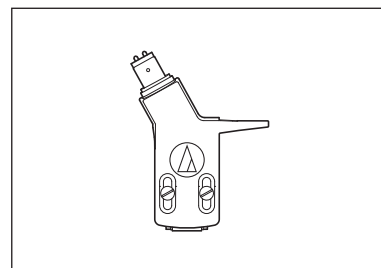
• Staubschutzhaube



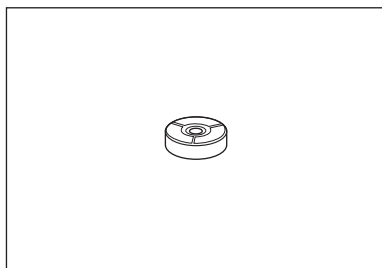
• Plattenteller (mit Antriebsriemen)



• Gegengewicht



• Headshell (AT-HS3) mit VM-Stereo-Tonabnehmer (AT91R)



• Adapter für 45 U/min

- Netzkabel
- Bedienungsanleitung (dieses Dokument)

Wir empfehlen Ihnen nach dem Kauf alle Verpackungsmaterialien für mögliche künftige Lagerungs-, Umzugs- oder Versandzwecke aufzubewahren.

Sicherheitshinweise

Wichtige Informationen

Warnung:

Setzen Sie das Gerät weder Regen noch Feuchtigkeit aus, um die Gefahr eines Brands oder Stromschlags zu vermeiden.

Achtung:

Das Gerät darf weder Tropf- noch Spritzwasser ausgesetzt werden. Öffnen Sie das Gehäuse nicht, um die Gefahr eines Stromschlags zu vermeiden. Überlassen Sie Wartungs- oder Reparaturarbeiten nur qualifiziertem Fachpersonal.

Das Gerät darf keiner übermäßigen Hitzeeinwirkung, beispielsweise direktem Sonnenlicht, Feuer oder ähnlichem, ausgesetzt werden.

Schützen Sie das Gerät vor starken Erschütterungen.

Dieses Gerät sollte in der Nähe einer Steckdose platziert werden, damit der Stecker des Netzkabels stets leicht gegriffen werden kann.

Trennen Sie im Notfall das Netzkabel des Geräts sofort.

Stellen Sie keine mit Flüssigkeiten gefüllten Gegenstände (z. B. Vasen) auf das Gerät.

Stellen Sie keine offenen Feuerquellen (wie brennende Kerzen) auf das Gerät, um die Gefahr eines Brands zu vermeiden.

Stellen Sie dieses Gerät nicht an beengten Stellen auf (z. B. in einem Bücherregal).

Installieren Sie das Gerät nur an Orten mit guter Belüftung.

Gebrauchshinweise

Plattenspieler

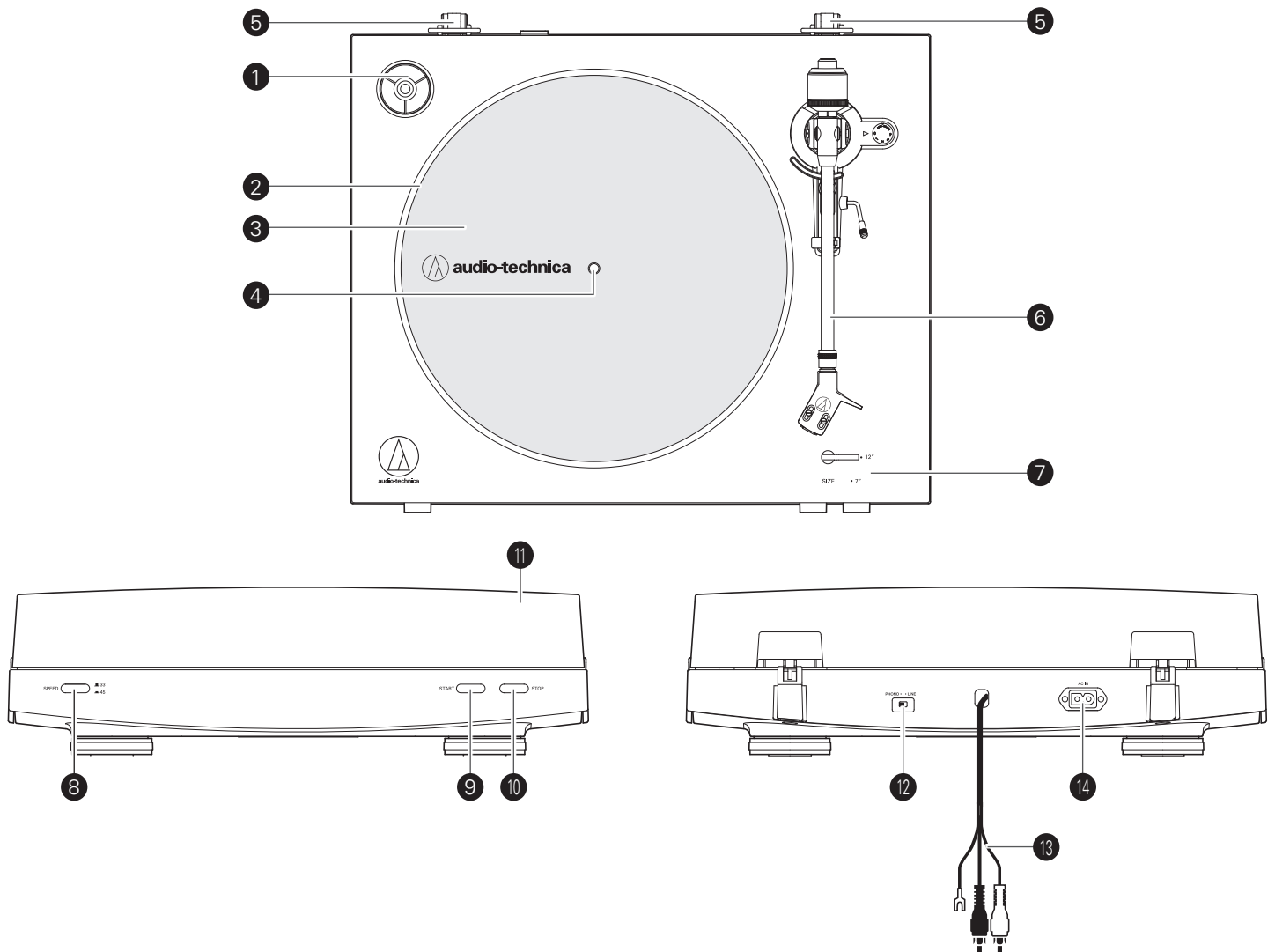
- Verwenden Sie das Produkt nicht an Orten, die besonders heiß, feucht oder verschmutzt sind bzw. extremen Vibrationen ausgesetzt sind und stellen Sie das Produkt nicht dort auf.
- Das Produkt sollte auf einer flachen und geraden Oberfläche aufgestellt werden.

Tonabnehmer

- Befestigen Sie die mitgelieferte Schutzkappe am Tonabnehmer, wenn das Produkt nicht verwendet wird.
- Berühren Sie die Abtastnadel des Tonabnehmers nicht mit Ihren Fingern.
- Achten Sie darauf, dass die Abtastnadel nicht gegen den Plattenteller, die Filzmatte oder den Rand der Schallplatte stößt.

Bezeichnung und Funktion der Teile

Abbildungen



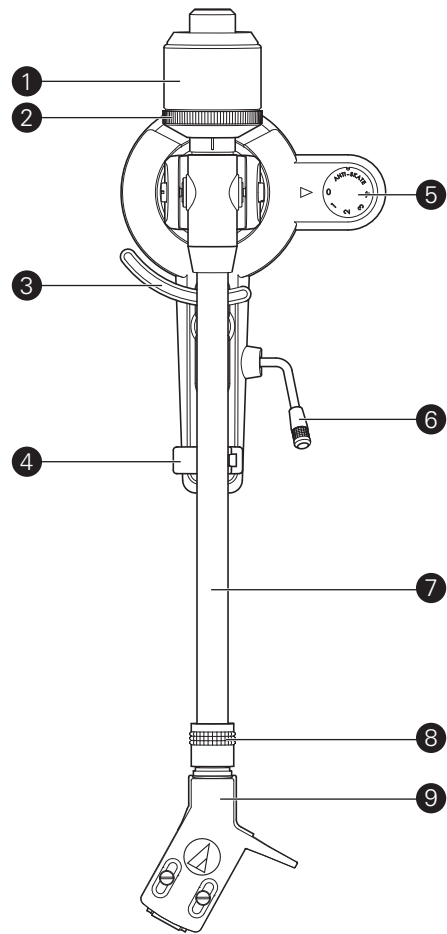
- 1 Adapter für 45 U/min (in seiner Aufbewahrungsmulde)**
Dient zum Auswählen der Plattentellergeschwindigkeit (33-1/3 oder 45 U/min).
- 2 Plattenteller**
- 3 Filzmatte**
- 4 Mittelachse**
- 5 Scharnierhalterungen für die Staubschutzhaube**
Befestigungsstellen für die Scharniere der Staubschutzhaube.
- 6 Tonarm**
Weitere Details finden Sie unter „Tonarm“ auf Seite 4.
- 7 Größenwahlschalter**
Dient zum Wechseln zwischen 12 Zoll und 7 Zoll entsprechend der Größe der Schallplatte.
- 8 Plattentellergeschwindigkeitstaste**
Dient zum Auswählen der Plattentellergeschwindigkeit (33-1/3 oder 45 U/min).
- 9 START-Taste**
Dreht den Plattenteller und bewegt den Tonarm.
- 10 STOP-Taste**
Setzt den Tonarm an seine Ausgangsposition zurück und stoppt den Plattenteller.

- 11 Staubschutzhaube**
- 12 Vorverstärker-Wahlschalter**
Wenn ein Verstärker mit PHONO-Eingangsbuchse verwendet wird, muss dieser Schalter in die PHONO-Position gestellt werden. Wenn das Gerät an die AUX-Buchse eines Verstärkers angeschlossen wird, muss dieser Schalter in die LINE-Position gestellt werden.
- 13 Cinch-Audiokabel (mit Erdungsleitung)**
Zum Anschließen an die PHONO-Eingangsbuchse (Erdungsleitung wenn möglich an die Erdungsklemme anschließen) oder AUX (LINE)-Eingangsbuchse eines Receivers, Verstärkers oder eines anderen anschließbaren Geräts.
- 14 Netzanschluss**
Zum Verbinden des Netzkabels.

Bezeichnung und Funktion der Teile

Tonarm

- 1 **Gegengewicht**
Balanciert den Tonarm aus und sorgt für die richtige Auflagekraft.
- 2 **Auflagekraft-Passring**
Passt die Auflagekraft an.
- 3 **Tonarmlift**
Bewegt den Tonarm vertikal über die Oberfläche der Schallplatte.
- 4 **Tonarmstütze**
- 5 **Anti-Skating-Drehrad**
Während die Schallplatte abgespielt wird, wirkt eine Kraft auf die Spitze der Abtastnadel, die versucht, sie nach innen zu ziehen. Diese Kraft kann aufgehoben werden, indem der gleiche Wert für die Anti-Skating-Funktion und die Auflagekraft eingestellt wird.
- 6 **Tonarmlift-Bedienhebel**
Zur Bedienung des Tonarmlifts.
- 7 **Tonarm**
- 8 **Verriegelungsring**
Drehen Sie den Ring nach links (entgegen dem Uhrzeigersinn), um die Headshell zu sichern. Um die Headshell zu entfernen, drehen Sie den Ring nach rechts.
- 9 **Headshell und Tonabnehmer**
Der Tonabnehmer (AT91R) ist am Headshell (AT-HS3) befestigt.



Einrichten des Geräts

Einrichten des Plattenspielers

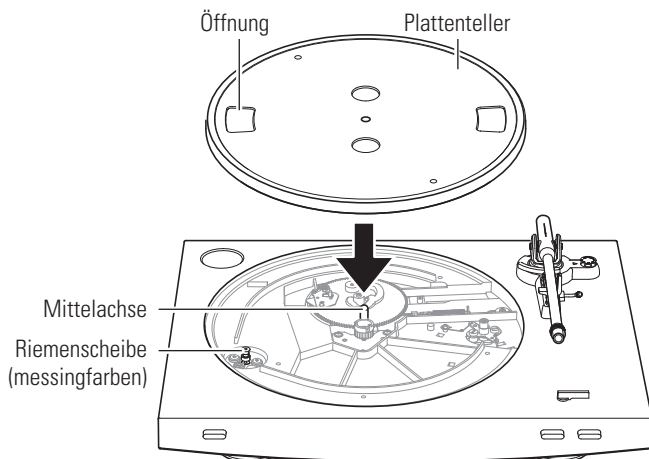
- Stellen Sie das Produkt auf einer geraden Oberfläche auf.
- Um Vibrations- und Schalldruckeffekte zu vermeiden, sollte das Produkt nicht neben Objekten wie Lautsprechern aufgestellt werden.
- Das Produkt kann möglicherweise Radiowellen aufnehmen, wenn es neben einem Radio aufgestellt wird. Halten Sie das Produkt daher von Radiogeräten fern.
- Wenn das Produkt in der Nähe von Geräten platziert wird, die starke Funkwellen abstrahlen (wie ein Mobiltelefon usw.), könnte Rauschen auftreten.

Einsetzen des Plattentellers und der Filzmatte

Vor der erstmaligen Verwendung des Produkts sind einige vorbereitende Schritte erforderlich. Schließen Sie das Netzkabel erst an, wenn die Montage abgeschlossen ist.

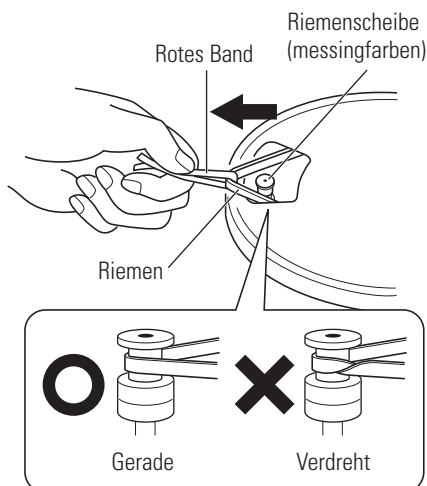
1. Setzen Sie den Plattenteller auf die Mittelachse.

- Vergewissern Sie sich, dass der Plattenteller vollständig auf der Mittelachse sitzt.

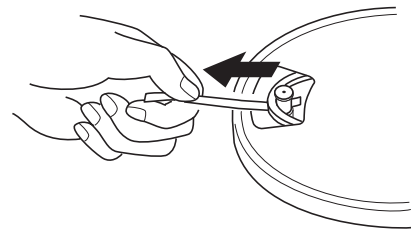


2. Setzen Sie den Riemen auf die Riemenscheibe (messingfarben).

- Richten Sie eine der Öffnungen des Plattentellers an der Messingriemenscheibe aus und setzen Sie den Riemen auf die Riemenscheibe, während Sie an beiden Ende des roten Bands ziehen, das am Riemen angebracht ist, wie in der Abbildung dargestellt. Achten Sie dabei darauf, nicht den Riemen zu verdrehen.

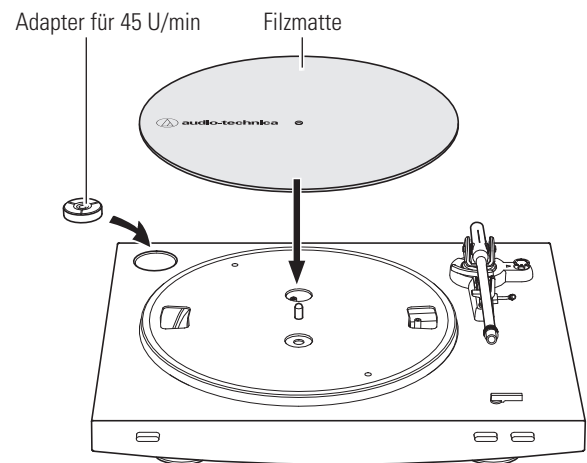


3. Entfernen Sie das rote Band vom Riemen.



4. Legen Sie die Filzmatte auf den Plattenteller.

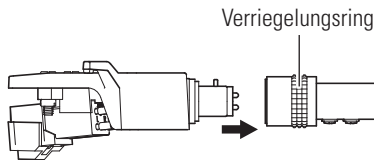
- Setzen Sie nach dem Auflegen der Filzmatte den Adapter für 45 U/min in die Aufbewahrungsmulde oben links am Gerät.



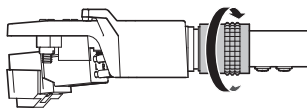
Einrichten des Geräts

Montage des Tonarms

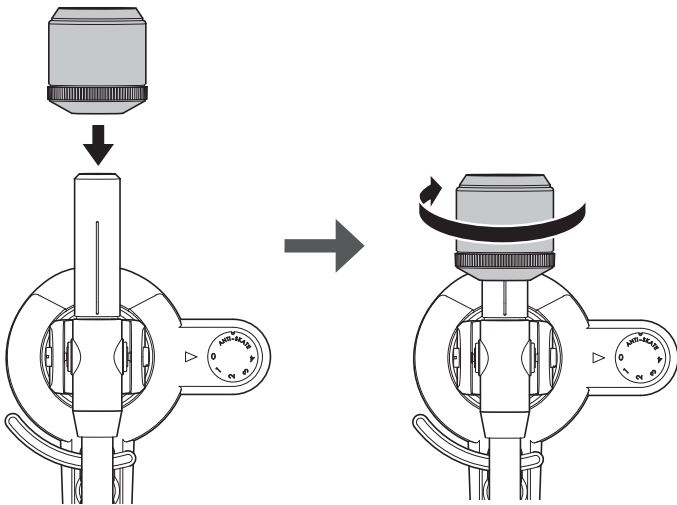
1. Setzen Sie die Headshell in den Verriegelungsring ein.
 - Halten Sie die Headshell an seiner rechten und linken Kante fest, um nicht die Abtastnadel zu beschädigen oder die Drähte des Tonabnehmers zu trennen.



2. Drehen Sie den Verriegelungsring mit eingesetzter Headshell entgegen dem Uhrzeigersinn (nach links).



3. Befestigen Sie das Gegengewicht am Ende des Tonarms und drehen Sie es langsam entgegen dem Uhrzeigersinn (nach links), während der Auflagekraft-Passring nach vorn zeigt.



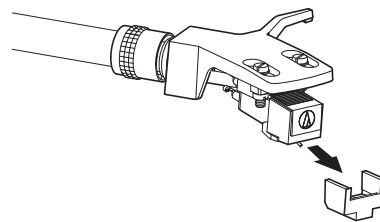
Tonarmbalance und Auflagekraft

Damit der Tonabnehmer den Ton korrekt von den Rillen der Schallplatte ausliest, muss die Tonarmbalance und die Auflagekraft gemäß den Spezifikationen des Tonabnehmers angepasst werden. Wenn die Tonarmbalance und die Auflagekraft nicht angemessen justiert wurden, kann möglicherweise die Schallplatte oder die Abtastnadel des Tonabnehmers beschädigt werden.

- Ziehen Sie beim Justieren der Tonarmbalance und der Auflagekraft die Abtastnadel des Tonabnehmers nicht über die Schallplatte oder die Filzmatte. Dies könnte die Abtastnadel beschädigen.

Einstellen der Tonarmbalance

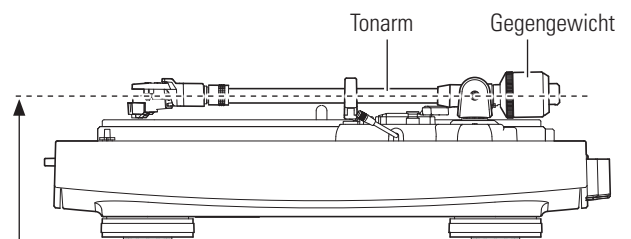
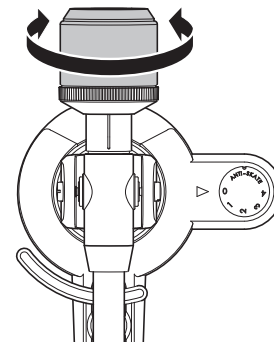
1. Entfernen Sie die Schutzkappe des Tonabnehmers.



2. Entfernen Sie den Kabelbinder, der während der Auslieferung zur Sicherung des Tonarms angebracht wurde, während Sie die Headshell festhalten.

3. Heben Sie die Headshell leicht an und drehen Sie das Gegengewicht, um die Tonarmbalance einzustellen.

- Passen Sie die Balance an, damit der Tonarm gerade ausgerichtet ist, wenn Sie die Headshell loslassen.



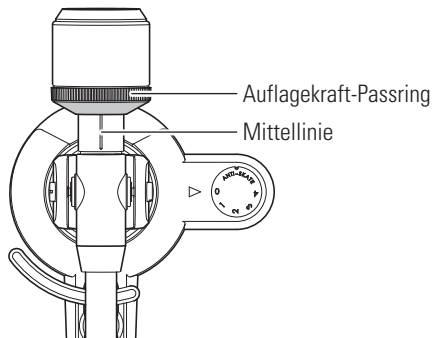
So einstellen, dass der Tonarm gerade ausgerichtet ist

4. Setzen Sie den Tonarm wieder auf die Tonarmstütze.

Einrichten des Geräts

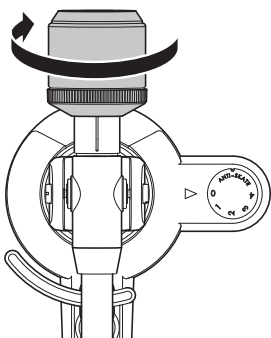
Einstellen der Auflagekraft

- Halten Sie das Gegengewicht fest, damit es sich nicht bewegt und drehen Sie den Auflagekraft-Passring, bis die „0“-Position mit der Mittellinie am Ende des Tonarms übereinstimmt (die Auflagekraft wird nicht einfach durch Drehen des Auflagekraft-Passrings eingestellt).



- Drehen Sie das Gegengewicht und den Auflagekraft-Passring gemeinsam entgegen dem Uhrzeigersinn, bis der Wert der Mittellinie der empfohlenen Auflagekraft des verwendeten Tonabnehmers entspricht.

- Angaben zur empfohlenen Auflagekraft entnehmen Sie bitte den Spezifikationen des Tonabnehmer-Herstellers.
- Der Wert für die Auflagekraft des Tonabnehmers, der diesem Produkt beiliegt, beträgt 2,0 g.

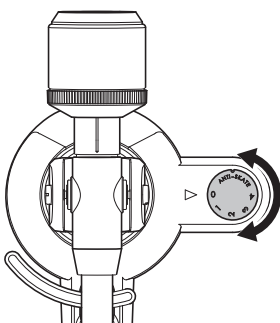


Einstellen der Anti-Skating-Funktion

Während die Schallplatte abgespielt wird, wirkt eine Kraft auf die Spitze der Abtastnadel, die versucht, sie nach innen zu ziehen. Diese Kraft kann aufgehoben werden, indem der gleiche Wert für die Anti-Skating-Funktion und die Auflagekraft eingestellt wird.

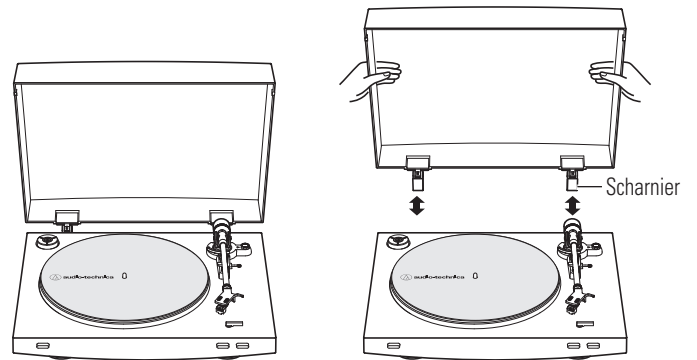
- Stellen Sie das Anti-Skating-Drehrad so ein, dass es den gleichen Wert wie die Auflagekraft hat.

- Der Wert für die Auflagekraft des Tonabnehmers, der diesem Produkt beiliegt, beträgt 2,0 g.



Anbringen/Entfernen der Staubschutzhaube

Setzen Sie die Scharniere an der Staubschutzhaube in die zwei Scharnierhalter an der Rückseite des Plattenspielers, um die Staubschutzhaube anzubringen. Um die Staubschutzhaube zu entfernen, ziehen Sie sie langsam aus den Scharnierhaltern.



Einstellen des Vorverstärker-Wahlschalters

Dieses Produkt ist mit einer integrierten Phono-Equalizer-Funktion ausgestattet. Sie können das Produkt auch dann verwenden, wenn Sie über keinen Phono-Verstärker oder kein anschließbares Gerät mit integriertem Phono-Verstärker verfügen.

Stellen Sie den Ausgang mit dem Vorverstärker-Wahlschalter, wie unten angezeigt, ein.

Verwendetes anschließbares Gerät	Position des Vorverstärker-Wahlschalters	Anschlussposition des Cinch-Audiokabels
Gerät mit Phono-Eingang	PHONO	Phono-Eingangsbuchse und Erdungsanschluss (Masse) des anschließbaren Geräts
Gerät ohne Phono-Eingang	LINE	AUX- oder LINE-Eingangsbuchse des anschließbaren Geräts
PC-Soundkarte	LINE	LINE-Eingangsbuchse ¹ der PC-Soundkarte

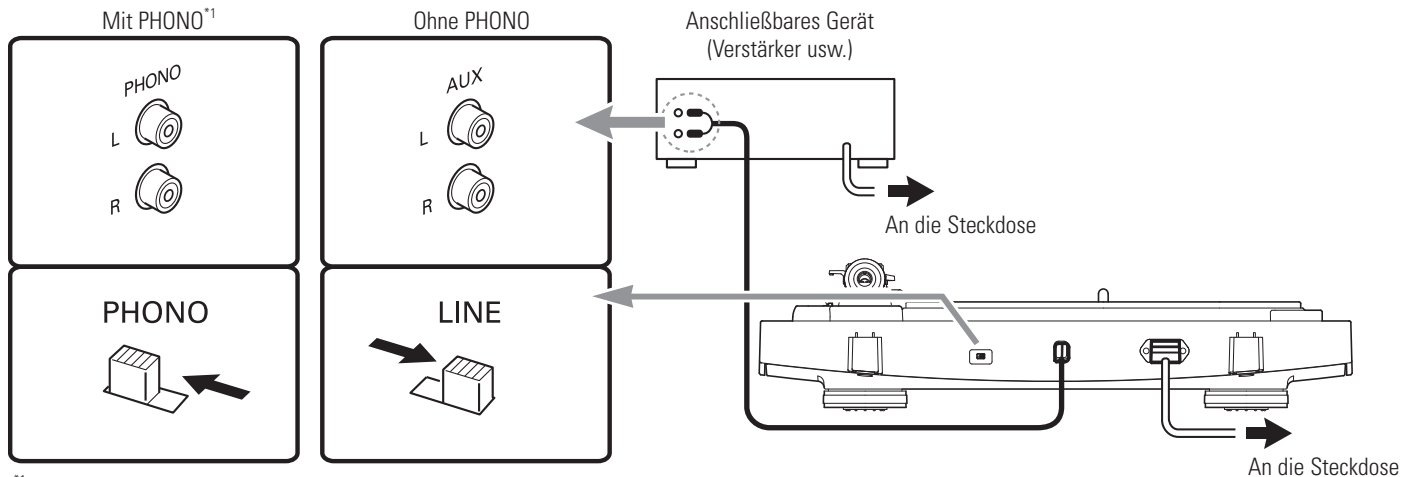
¹Es ist eventuell ein Audioadapter (separat erhältlich) erforderlich, um das Cinch-Audiokabel an die LINE-Eingangsbuchse der PC-Soundkarte anzuschließen.

Einrichten des Geräts

Anschließen des Geräts

Stellen Sie den Vorverstärker-Wahlschalter korrekt ein und verbinden Sie das Cinch-Audiokabel mit einer Eingangsbuchse, die mit dem anschließbaren Gerät, das Sie verwenden (Verstärker, Empfänger, Aktivlautsprecher, Soundkarte usw.) kompatibel ist.

- Die rote Buchse des Cinch-Audiokabels ist für den rechten Kanal (R) und die weiße Buchse für den linken Kanal (L) vorgesehen.

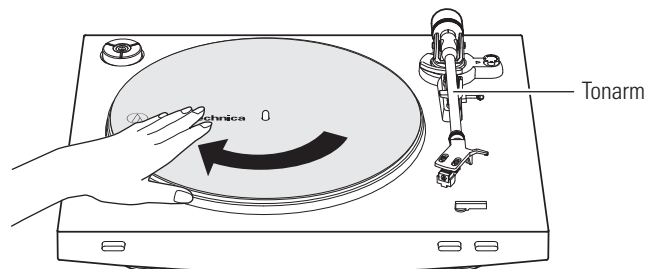


*1 Je nach Ihrem anschließbaren Gerät ist eventuell ein Erdungsanschluss (Masse) in der Nähe der Phono-Eingangsbuchse vorhanden. Schließen Sie in diesem Fall die Erdungsleitung des Cinch-Audiokabels daran an. Damit wird ein tiefes Brummen verhindert, das anderenfalls eventuell beim Abspielen der Schallplatte zu hören ist.

Drehen des Plattentellers

1. Drehen Sie den Plattenteller zehn Mal mit Ihrer Hand.

- Ziehen Sie am Tonarmlift-Bedienhebel, um den Tonarm anzuheben. Drehen Sie den Plattenspieler langsam zehn Mal per Hand in Pfeilrichtung.
- Eventuell kann der Tonarm gehalten werden, damit er sich nicht bewegt. Mit diesem Schritt sollen der Automechanismus zurückgesetzt, Verdrehungen des Riemens beseitigt und sichergestellt werden, dass der Riemen sich reibungslos entlang der Antriebsfelge an der Unterseite des Plattentellers bewegt.

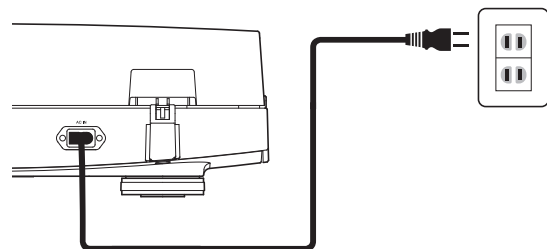


Anschließen des Netzkabels

Dieses Produkt ist nicht mit einem Betriebsschalter ausgestattet. Es liegt immer ein Ruhestrom an, selbst wenn das Gerät nicht verwendet wird. Trennen Sie das Netzkabel von der Steckdose, wenn das Produkt längere Zeit nicht verwendet wird.

1. Verbinden Sie den Stecker des Netzkabels mit einer Steckdose.

- Heben Sie den Tonarm zur Sicherheit durch Ziehen des Tonarmlift-Bedienhebels in die NACH OBEN-Position.
- Verbinden Sie den Stecker des Netzkabels mit der Steckdose, ohne die Schutzkappe des Tonabnehmers zu entfernen. Wenn sich der Plattenteller gedreht hat, drücken Sie auf die STOP-Taste, ohne den Tonarm zu berühren, und warten Sie dann, bis der Tonarm zur Ausgangsposition zurückgekehrt ist.
- Wenn eine Schallplatte unverzüglich nach dem Verbinden des Netzkabels abgespielt wird, kann der ausgegebene Ton eventuell verzerrt sein. Nachdem Sie den Stecker des Netzkabels mit der Steckdose verbunden haben, warten Sie einen kurzen Moment (etwa 30 Sekunden), bevor Sie eine Schallplatte abspielen.

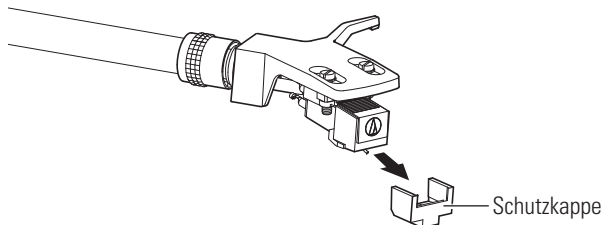


Wiedergabe einer Schallplatte

Vor der Wiedergabe einer Schallplatte

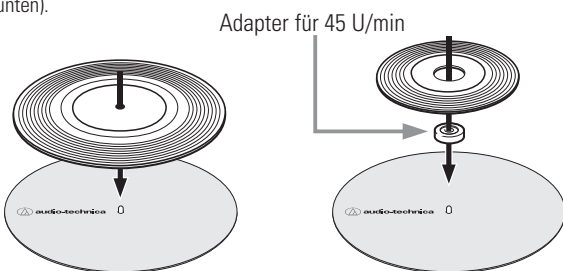
1. Entfernen Sie die Schutzkappe des Tonabnehmers.

- Ziehen Sie die Schutzkappe gerade nach vorn, um sie zu entfernen.
- Wenn zu sehr auf den Tonabnehmer gedrückt wird, könnte sich die Abtastnadel lösen. Wenn die Abtastnadel lose ist oder sich bereits gelöst hat, wird nur ein niedriger Lautstärkepegel ausgegeben. Hinweise zum erneuten Anbringen der Abtastnadel auf korrekte Weise finden Sie unter „Austauschen der Abtastnadel“ auf Seite 10.



2. Legen Sie eine Schallplatte so auf die Filzmatte, dass das Loch in ihrer Mitte auf der Mittelachse sitzt.

- Befestigen Sie bei der Verwendung einer Schallplatte für 45 U/min mit großer mittlerer Öffnung den Adapter für 45 U/min (siehe rechte Seite des Diagramms unten).

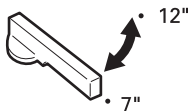


Automatischer Betrieb

Verringern Sie die Lautstärke des Verstärkers, des Lautsprechers usw. auf angemessene Weise.

1. Wählen Sie die Größe mit dem Größenwahlschalter aus.

- Wählen Sie „12“ für eine LP-Schallplatte mit einem Durchmesser von 12 Zoll und „7“ für eine Schallplatte für 45 U/min von 7 Zoll.



2. Stellen Sie die Geschwindigkeit mit der Plattentellergeschwindigkeitstaste ein.

- Wählen Sie „33“ für eine Schallplatte mit 33-1/3 U/min und „45“ für eine Schallplatte mit 45 U/min.



3. Drücken Sie auf die START-Taste.

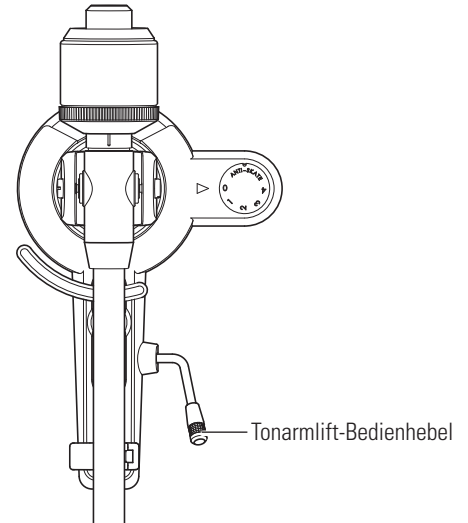
- Stoßen Sie nicht an das Gerät, während die Schallplatte abgespielt wird.
- Bedienen Sie nicht den Größenwahlschalter, während eine Schallplatte abgespielt wird. Beide Vorgänge könnten zu einer Fehlfunktion des Geräts führen.



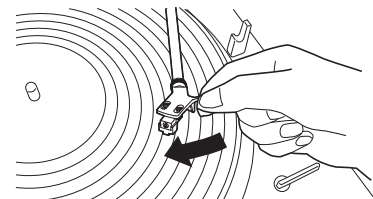
Manueller Betrieb

Verringern Sie die Lautstärke des Verstärkers, des Lautsprechers usw. auf angemessene Weise.

1. Heben Sie den Tonarm an, indem Sie den Tonarmlift-Bedienhebel in die NACH OBEN-Position bewegen.



2. Positionieren Sie den Tonarm über der gewünschten Stelle (Rille) der Platte.



3. Senken Sie den Tonarm, indem Sie den Tonarmlift-Bedienhebel in die NACH UNTEN-Position bewegen. Der Tonarm sinkt langsam auf die Platte, woraufhin diese abgespielt wird.

- Überspringen Sie alternativ die Schritte 1 bis 3 und verwenden Sie den Fingerlift an der Headshell, um den Tonarm über der gewünschten Stelle auf der Schallplatte zu positionieren. Senken Sie den Tonarm vorsichtig auf die Oberfläche der Schallplatte ab.
- Setzen Sie das Gerät während der Wiedergabe keinen starken Stößen aus.

Anhalten der Wiedergabe

1. Verringern Sie die Lautstärke des Verstärkers, des Lautsprechers usw. auf angemessene Weise, und heben Sie den Tonarm mit dem Tonarmlift-Bedienhebel an.

Wiedergabe einer Schallplatte

Stoppen der Wiedergabe

Sobald die Schallplatte bis zum Ende abgespielt worden ist, kehrt der Tonarm automatisch zur Tonarmstütze zurück.

Gehen Sie wie folgt vor, um die Schallplatte manuell zu stoppen.

1. Verringern Sie die Lautstärke des Verstärkers, des Lautsprechers usw. auf angemessene Weise.

2. Drücken Sie auf die STOP-Taste.

- Sobald die Wiedergabe der Schallplatte gestoppt wird, kehrt der Tonarm automatisch zur Tonarmstütze zurück.



3. Entnehmen Sie die Schallplatte, nachdem der Plattenteller zum völligen Stillstand gekommen ist.

- Wenn der Tonarm das Ende (die Mitte) der Schallplatte erreicht, hebt er sich automatisch an und kehrt zur Tonarmstütze zurück. Stören Sie diesen Vorgang nicht. Dies könnte zu einer Fehlfunktion des Geräts führen. Wenn der Tonarm sich nicht anhebt und zur Tonarmstütze zurückkehrt, drücken Sie auf die STOP-Taste, um den Vorgang abzuschließen.
- Eine verschmutzte Filzmatte kann die Schallplatte leicht zerkratzen; entfernen und reinigen Sie die Filzmatte daher regelmäßig.
- Um die Schallplatte vor Kratzern und Verformungen zu schützen, sollte sie nach dem Gebrauch entnommen werden.
- Verwenden Sie keine Stabilisatorscheibe.
- Verwenden Sie ausschließlich den mitgelieferten Plattenteller.
- Dieses Produkt ist nicht für DJs vorgesehen. Berühren Sie nicht die Schallplatte oder den Plattenteller, während eine Schallplatte abgespielt wird.

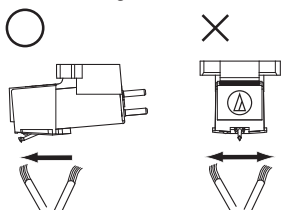
Pflege

Plattenspieler

- Wenn der Plattenspieler verschmutzt oder verstaubt ist, trennen Sie zuerst den Netzstecker und entfernen Sie dann jeglichen Schmutz und Staub mit einem weichen, trockenen Tuch.
- Verwenden Sie kein Benzin, keinen Verdüner usw.
- Wenn das Produkt für längere Zeit nicht verwendet wird, trennen Sie den Netzstecker von der Steckdose und wickeln Sie das Gerät in eine Plastiktüte. Das Gerät darf nicht feucht werden.

Spitze der Abtastnadel

- Wenn Schmutz an der Spitze der Abtastnadel haftet, reinigen Sie sie mit einem handelsüblichen Pinsel.
- Wenn die Spitze der Abtastnadel erheblich verschmutzt ist, empfehlen wir die Verwendung eines Abtastnadelreinigers (separat erhältlich). Reinigen Sie die Spitze der Abtastnadel, indem Sie den Pinsel von der Rück- zur Vorderseite der Abtastnadel bewegen.



Austauschen der Abtastnadel

Entfernen der Abtastnadel

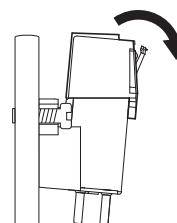
- Wenn die Spitze der Abtastnadel des Tonabnehmers verschlissen ist, kann sich die Tonqualität verschlechtern, aber auch die Schallplatten beschädigt werden.
- Generell sollte die Abtastnadel nach einer Betriebszeit von 300 bis 500 Stunden ersetzt werden.
- Trennen Sie unbedingt den Stecker des Netzkabels des Gerät von der Steckdose.

1. Lösen Sie die Headshell vom Tonarm.

- Halten Sie den Tonarm gut fest und entfernen Sie die Headshell vorsichtig.

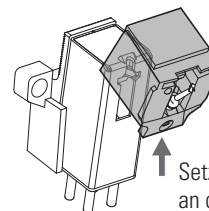
2. Entfernen Sie die Schutzkappe vom Tonabnehmer.

3. Entfernen Sie die Abtastnadel, indem Sie sie in Pfeilrichtung ziehen.



Einsetzen einer neuen Ersatznadel

1. Befestigen Sie die neue Ersatznadel am Tonabnehmer.



Setzen Sie zuerst die Lasche an der Rückseite ein.

2. Setzen Sie die Schutzkappe auf den Tonabnehmer.

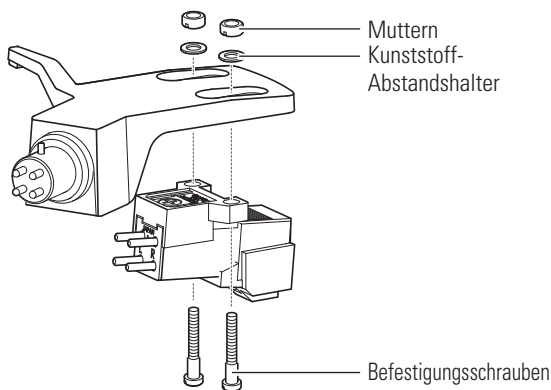
3. Befestigen Sie die Headshell am Tonarm.

Austauschen des Tonabnehmers

Einsetzen eines neuen Tonabnehmers

Wenn Sie den Tonabnehmer (AT91R), der diesem Produkt beiliegt, mit einem anderen handelsüblichen Tonabnehmer ersetzen, wenden Sie sich an die Bedienungsanleitung des neuen Tonabnehmers. Nachdem Sie den alten Tonabnehmer durch einen Neuen ersetzt haben, müssen der Überhang, die Balance und Auflagekraft des Tonarms neu angepasst werden.

1. Lösen Sie die Headshell vom Tonarm.
 - Halten Sie den Tonarm gut fest und entfernen Sie die Headshell vorsichtig.
2. Entfernen Sie die Abtastnadel vom Tonabnehmer.
 - Details finden Sie unter „Entfernen der Abtastnadel“ auf Seite 10.
3. Entfernen Sie die Anschlussdrähte.
 - Achten Sie darauf, nicht die Anschlussdrähte zu beschädigen.
4. Entfernen Sie die Befestigungsschrauben mit einem handelsüblichen, metallfreien Schlitzschraubendreher und entfernen Sie dann die Headshell vom Tonabnehmer.
5. Details zur Montage des neuen Tonabnehmers finden Sie in dessen Bedienungsanleitung.

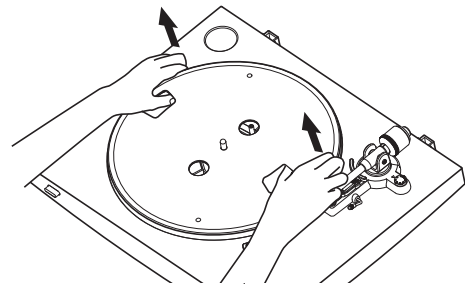


6. Ziehen Sie die Befestigungsschrauben an beiden Stellen mit einem handelsüblichen, metallfreien Schlitzschraubendreher an und passen Sie anschließend den Überhang an.
 - Details finden Sie unter „Anpassen des Überhangs“ auf Seite 12.
 - Ziehen Sie die Schrauben nach dem Abschluss der Anpassungen fest an.
7. Befestigen Sie die Headshell am Tonarm.
8. Passen Sie die Tonarmbalance und Auflagekraft an.
 - Details zu den erneuten Anpassungen finden Sie unter „Tonarmbalance und Auflagekraft“ auf Seite 6.

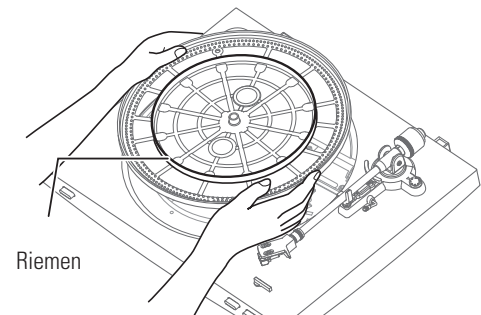
Austauschen des Riemens

- Beim Riemen handelt es sich um ein Verschleißteil. Ersetzen Sie den Riemen, wenn die Wiedergabegeschwindigkeit sich verringert oder unregelmäßige Drehungen auftreten. Generell empfehlen wir, den Riemen jährlich auszutauschen.
- Trennen Sie vor dem Austauschen des Riemens unbedingt den Netzstecker des Gerät von der Steckdose.

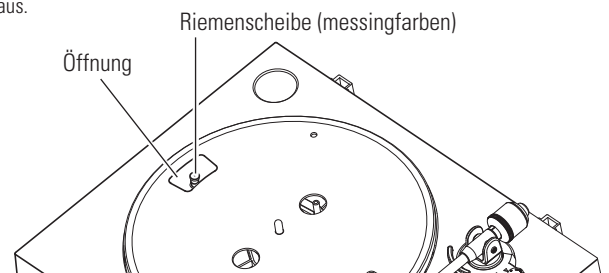
1. Entfernen Sie die Filzmatte.
2. Entfernen Sie den Plattenteller, drehen Sie ihn auf die Rückseite und entnehmen Sie den alten Riemen.
 - Setzen Sie Ihre Daumen in die Öffnungen und ziehen Sie das Teil kraftvoll nach oben.



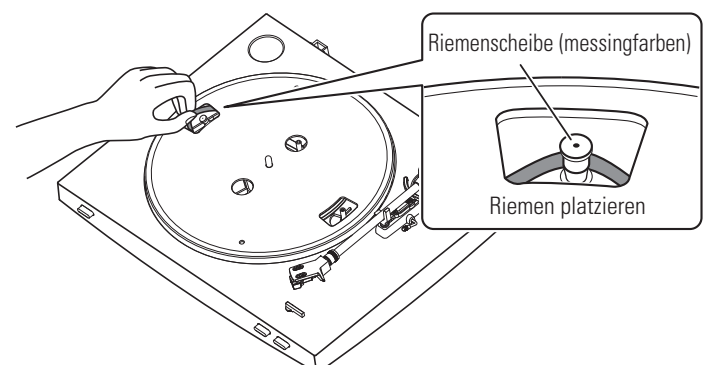
3. Setzen Sie den neuen Riemen um den inneren Kreis.
 - Achten Sie dabei darauf, nicht den Riemen zu verdrehen.



4. Setzen Sie den Plattenteller ein.
 - Richten Sie eine der Öffnungen an der Position der Riemenscheibe (messingfarben) aus.



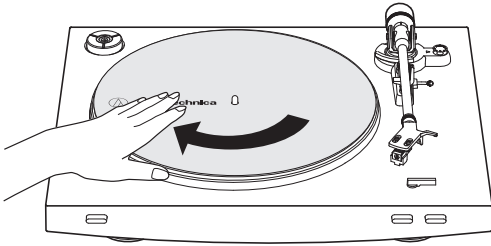
5. Setzen Sie den Riemen auf die Riemenscheibe (messingfarben).
 - Greifen Sie den Riemen, der in Schritt 3 angebracht wurde, ziehen Sie daran und setzen Sie ihn auf die Messingriemenscheibe.



Austauschen des Riemens

6. Drehen Sie den Plattenteller zehn Mal mit Ihrer Hand.

- Ziehen Sie am Tonarmlift-Bedienhebel, um den Tonarm anzuheben. Drehen Sie den Plattenspieler langsam zehn Mal per Hand in Pfeilrichtung.



Transport des Plattenspielers

Wickeln Sie den Plattenspieler wieder in die Originalverpackungsmaterialien in umgekehrter Reihenfolge zum Auspacken. Wenn Sie die Verpackungsmaterialien nicht mehr zur Hand haben, ergreifen Sie folgenden Maßnahmen:

- Trennen Sie den Stecker des Netzkabels von der Steckdose, entfernen Sie die Filzmatte und den Plattenteller und wickeln Sie diese Teile dann so ein, dass sie nicht beschädigt werden.
- Verwenden Sie einen Faden oder etwas Ähnliches, um den Tonarm so an der Stütze zu befestigen, dass er sich nicht bewegt.
- Entfernen Sie das Gegengewicht.
- Entfernen Sie die Headshell vom Tonarm, während die Schutzkappe am Tonabnehmer angebracht ist, und wickeln Sie die gesamte Headshell-Komponente dann so ein, dass sie nicht beschädigt wird.
- Wickeln Sie den Plattenspieler in Papier oder ein weiches Tuch ein, damit er nicht beschädigt wird.

Anpassen des Überhangs

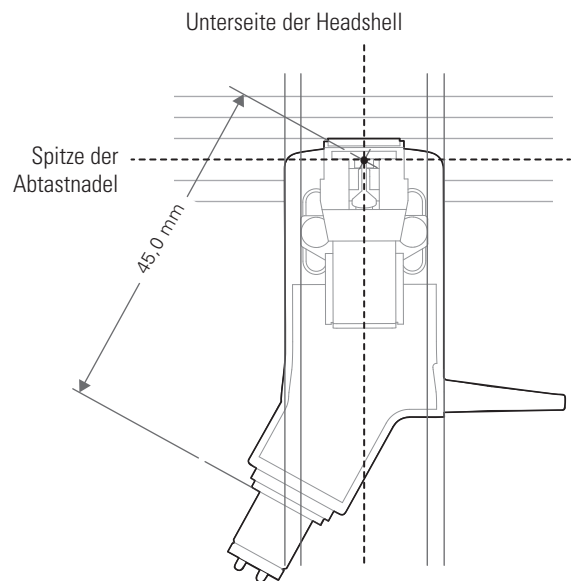
Die Position des Tonabnehmers muss exakt bestimmt werden (das Anpassen des Überhangs), wenn ein anderer als der mitgelieferte Tonabnehmer oder Headshell befestigt wird.

1. Befestigen Sie den Tonabnehmer so, dass er parallel zur Headshell ausgerichtet ist.

- Bringen Sie die Positionen des Tonabnehmers und der Headshell mit der Abbildung unten zur Deckung und befestigen Sie den Tonabnehmer so, dass er parallel zur Headshell ist.

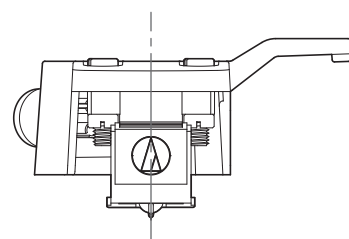
Überhang-Einstellschablone

Diese Abbildung stellt die tatsächliche Größe dar. Setzen Sie die Headshell auf die Abbildung unten und stellen Sie dann die Spitze der Abtastnadel des neuen Tonabnehmers auf die Linien für die „Spitze der Abtastnadel“ des Tonabnehmers ein.



2. Befestigen Sie den Tonabnehmer so, dass er senkrecht zur Oberseite der Headshell ausgerichtet ist.

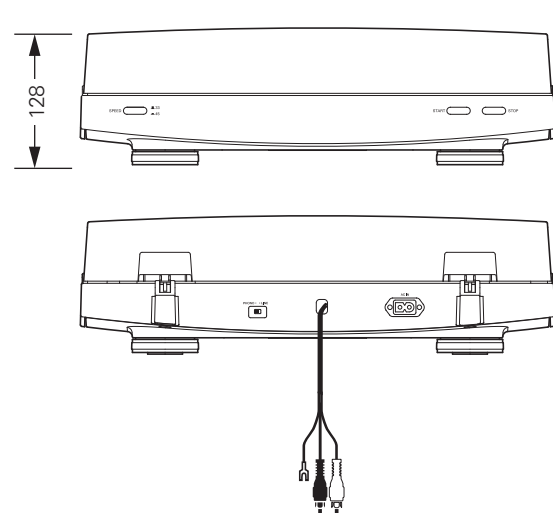
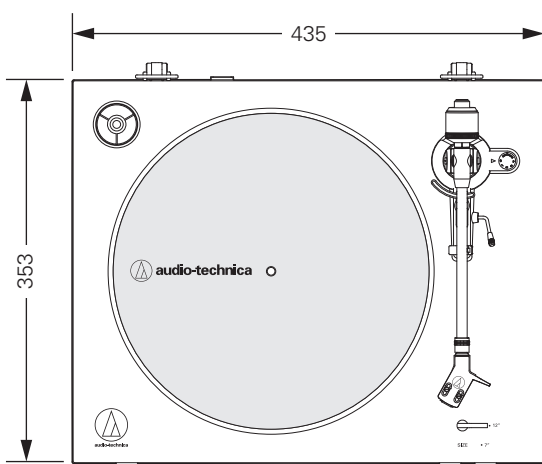
Vorderseite der Headshell



Fehlerbehebung

Problem	Lösung
Der Plattenteller dreht sich nicht.	<ul style="list-style-type: none"> • Ist der Stecker des Netzkabels mit einer Steckdose verbunden? Verbinden Sie den Stecker des Netzkabels mit einer Steckdose. • Ist der Riemen vom Plattenteller gesprungen? Setzen Sie den Riemen ordnungsgemäß auf den Plattenteller. • Ist der Riemen auf der Riemenscheibe platziert? Überprüfen Sie, ob der Riemen ordnungsgemäß auf der Riemenscheibe (messingfarben) platziert ist. • Ist der Riemen beschädigt? Ersetzen Sie den Riemen mit einem Neuen.
Der Plattenteller dreht sich, aber es wird kein Ton ausgegeben oder die Lautstärke ist sehr gering.	<ul style="list-style-type: none"> • Sind die Funktionseinstellungen und der Eingang für die angeschlossenen Geräte (Verstärker usw.) korrekt ausgewählt? Überprüfen Sie, ob die Einstellungen für das angeschlossene Gerät richtig sind. • Ist die Abtastnadel beschädigt? Prüfen Sie die Abtastnadel und ersetzen Sie sie bei Bedarf. • Ist die Abtastnadel ordnungsgemäß in den Tonabnehmer eingesetzt? Prüfen Sie den Tonabnehmer und passen Sie ihn bei Bedarf an. • Ist die Einstellposition des Vorverstärker-Wahlschalters korrekt? Überprüfen Sie, ob die Vorverstärker-Einstellungen korrekt sind und beachten Sie dabei die folgenden häufigen Probleme und ihre Ursachen: <ul style="list-style-type: none"> – Wenn kein Ton ausgegeben wird oder die Lautstärke sehr gering ist, dann ist das Gerät auf die PHONO-Position gesetzt und an den AUX/LINE-Eingang des Verstärkers angeschlossen. – Wenn die Lautstärke zu hoch oder der Ton verzerrt ist, dann ist das Gerät auf die LINE-Position gesetzt und das anschließbare Gerät ist an den PHONO-Eingang angeschlossen. • Ist eine zu hohe Auflagekraft eingestellt? Justieren Sie die Auflagekraft.
Die Abtastnadel springt.	<ul style="list-style-type: none"> • Ist eine zu niedrige Auflagekraft eingestellt? Justieren Sie die Auflagekraft. • Ist die Anti-Skating-Funktion nicht richtig eingestellt? Stellen Sie sicher, dass derselbe Wert für das Anti-Skating und die Auflagekraft des Tonabnehmers eingestellt ist. • Ist die Schallplatte verformt? Überprüfen Sie die Schallplatte. • Ist die Schallplatte zerkratzt? Überprüfen Sie die Schallplatte.
Es werden heulende Geräusche ausgegeben.	<ul style="list-style-type: none"> • Nimmt das Produkt übermäßige Vibrationen vom Boden, den Wänden oder sich in der Nähe befindlichen Oberflächen auf? Verringern Sie die Vibrationen oder stellen Sie das Produkt auf eine Oberfläche, die keinen Vibrationseffekten ausgesetzt ist. • Ist das Produkt auf einer instabilen Oberfläche aufgestellt? Überprüfen Sie, ob die Oberfläche, auf der das Produkt aufgestellt ist, geeignet ist.
Bei der Wiedergabe der Schallplatte ist Rauschen zu hören.	<ul style="list-style-type: none"> • Befindet sich Staub auf der Spitze der Abtastnadel des Tonabnehmers? Wenn Staub an der Spitze der Abtastnadel haftet, reinigen Sie sie mit einem handelsüblichen Pinsel.
Die Schallplatte wird entweder zu schnell oder zu langsam abgespielt.	<ul style="list-style-type: none"> • Sind die Geschwindigkeitseinstellungen des Produkts korrekt? Wählen Sie die richtige Geschwindigkeit für die Art der abzuspielenden Schallplatte mit der Plattentellergeschwindigkeitstaste aus.
Die Wiedergabegeschwindigkeit verringert sich oder die Drehung ist unregelmäßig.	<ul style="list-style-type: none"> • Ist der Riemen abgenutzt? Ersetzen Sie den Riemen mit einem Neuen.
Während der Wiedergabe ist ein Summen zu hören.	<ul style="list-style-type: none"> • Ist die Erdungsleitung ordnungsgemäß verbunden? Vergewissern Sie sich, dass die Erdungsleitung ordnungsgemäß verbunden ist. • Ist die Headshell fest am Tonarm angebracht? Vergewissern Sie sich, dass der Verriegelungsring angezogen ist.

Maße



(Einheit: mm)

Technische Daten

Plattenspieler-Spezifikationen

Typ	2 Geschwindigkeiten, vollautomatische Bedienung
Motor	Gleichstrommotor
Antriebsart	Riemenantrieb
Geschwindigkeiten	33-1/3 oder 45 Umdrehungen pro Minute
Plattenteller des Plattenspielers	Aluminiumguss
Gleichlaufschwankungen	< 0,2 % RMS-Leistung (33 Umdrehungen pro Minute) bei 3 kHz
Signal-Rausch-Verhältnis	> 60 dB
Ausgangspegel "PHONO"	3,5 mV Nennspannung bei 1 kHz, 5 cm/Sek
"LINE"	220 mV Nennspannung bei 1 kHz, 5 cm/Sek
Eingangsverstärkung Phono- Vorverst.	36 dB Nennpegel, nach RIAA entzerrt

Tonarm-Spezifikationen

Typ	Statischer, balancierter, gerade geformter Tonarm mit weicher Dämpfungssteuerung
Effektive Länge	221,5 mm
Überhang	19 mm
Maximaler Spurfelhwinkel	Weniger als 3°
Nadeldruck-Einstellungsbereich	1 bis 4 g
Anwendbarer Tonabnehmer- Gewichtsbereich (einschließlich Headshell)	14,5 bis 20 g

Tonabnehmer- und Headshellspezifikationen

Tonabnehmermodell	AT91R
Tonabnehmertyp	VM-Dual-Moving-Magnet
Empfohlene Lastimpedanz	47.000 Ohm
Ausgangsspannung	3,5 mV (bei 1 kHz, 5 cm/Sek)
Abtastnadel	0,6 mil verbunden, kegelförmig
Nadelträger	Aluminiumrohr
Auflagekraftbereich	1,5 bis 2,5 g (Standard 2,0 g)
Gewicht des Tonabnehmers	5,0 g
Headshell-Modell	AT-HS3 BK
Gewicht der Headshell	11,1 g
Überhangeinstellung der Headshell	8 mm

Allgemeine Spezifikationen

Erforderliche Stromversorgung	220 bis 240 V / 50, 60 Hz
Stromverbrauch	2 W
Maße	435 mm × 353 mm × 128 mm (B×T×H)
Gewicht	5,2 kg
Enthaltenes Zubehör	Filzmatte, Staubschutzhaube, Plattenteller (mit Antriebsriemen), Gegengewicht, Headshell (AT-HS3) mit VM-Stereo-Tonabnehmer (AT91R), Adapter für 45 U/min, Netzkabel
Ersatznadel (separat erhältlich)	ATN91R
Ersatzheadshell (separat erhältlich)	AT-HS3 BK
Ersatzriemen (separat erhältlich)	AT-LP2X ohne Riemen

Änderungen der technischen Daten aufgrund von Verbesserungen ohne Ankündigung vorbehalten.

Introducción

Gracias por adquirir este producto de Audio-Technica.

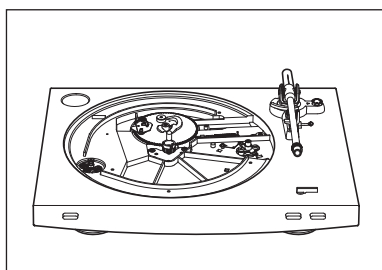
Lea este manual del usuario atentamente antes de utilizar el producto para asegurarse de que lo utiliza correctamente. Asimismo, conserve este manual, junto con la garantía, para consultarlo en el futuro.

Este producto solo puede utilizarse en los países en los que está disponible para su venta. Asegúrese de que la tensión de red eléctrica del producto es la correcta para el país de destino.

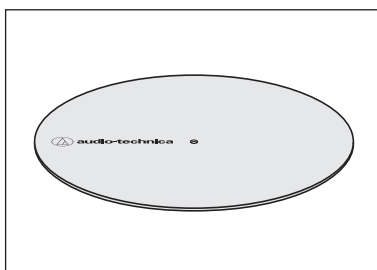
Contenido del paquete

Antes de utilizar este producto, compruebe que cuenta con todos los artículos incluidos que se detallan a continuación.

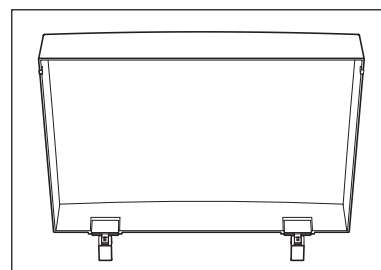
Si falta algún artículo o está dañado, póngase en contacto con su distribuidor local de Audio-Technica.



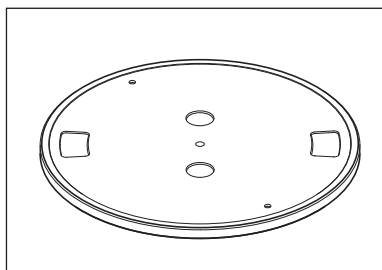
• Cuerpo del giradiscos



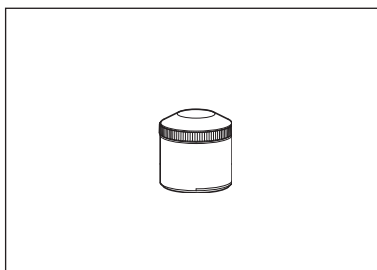
• Alfombrilla de fieltro



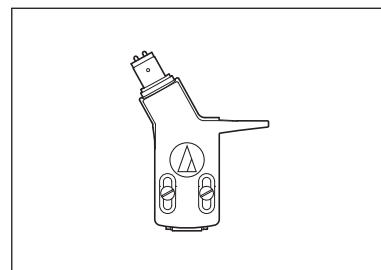
• Cubierta antipolvo



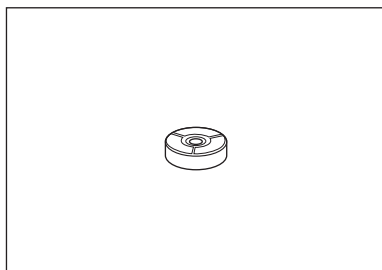
• Plato (con correa de transmisión)



• Contrapeso



• Portacápsulas (AT-HS3) con cápsula estéreo VM (AT91R)



• Adaptador de 45 RPM

- Cable de alimentación
- Manual del usuario (este documento)

Le recomendamos que guarde todo el material de embalaje por si en el futuro lo necesita para almacenamiento, traslado o envío.

Precauciones de seguridad

Información importante

Advertencia:

Para evitar el riesgo de que se produzca un incendio o una descarga eléctrica, no exponga la unidad a la lluvia ni a la humedad.

Precaución:

No deje que la unidad quede expuesta a goteos o salpicaduras. Para evitar que se produzcan descargas eléctricas, no abra la caja de la unidad. Diríjase sólo a personal cualificado para reparar la unidad.

No exponga este aparato al calor excesivo, por ejemplo, por la luz solar, el fuego o fuentes similares.

No someta este aparato a golpes fuertes.

La unidad debe estar lo suficientemente cerca de la toma de corriente CA para que se pueda acceder con facilidad al cable de alimentación en cualquier momento.

En caso de emergencia, desconecte rápidamente el cable de alimentación de la unidad.

No coloque sobre la unidad ningún objeto que contenga líquido, por ejemplo, un florero.

Para evitar que se produzcan incendios, no coloque sobre la unidad fuentes de llamas vivas (como velas encendidas).

No instale la unidad en un lugar cerrado como una librería o mobiliario similar. Instale la unidad únicamente en un lugar que disponga de una ventilación adecuada.

Indicaciones de uso

Cuerpo del giradiscos

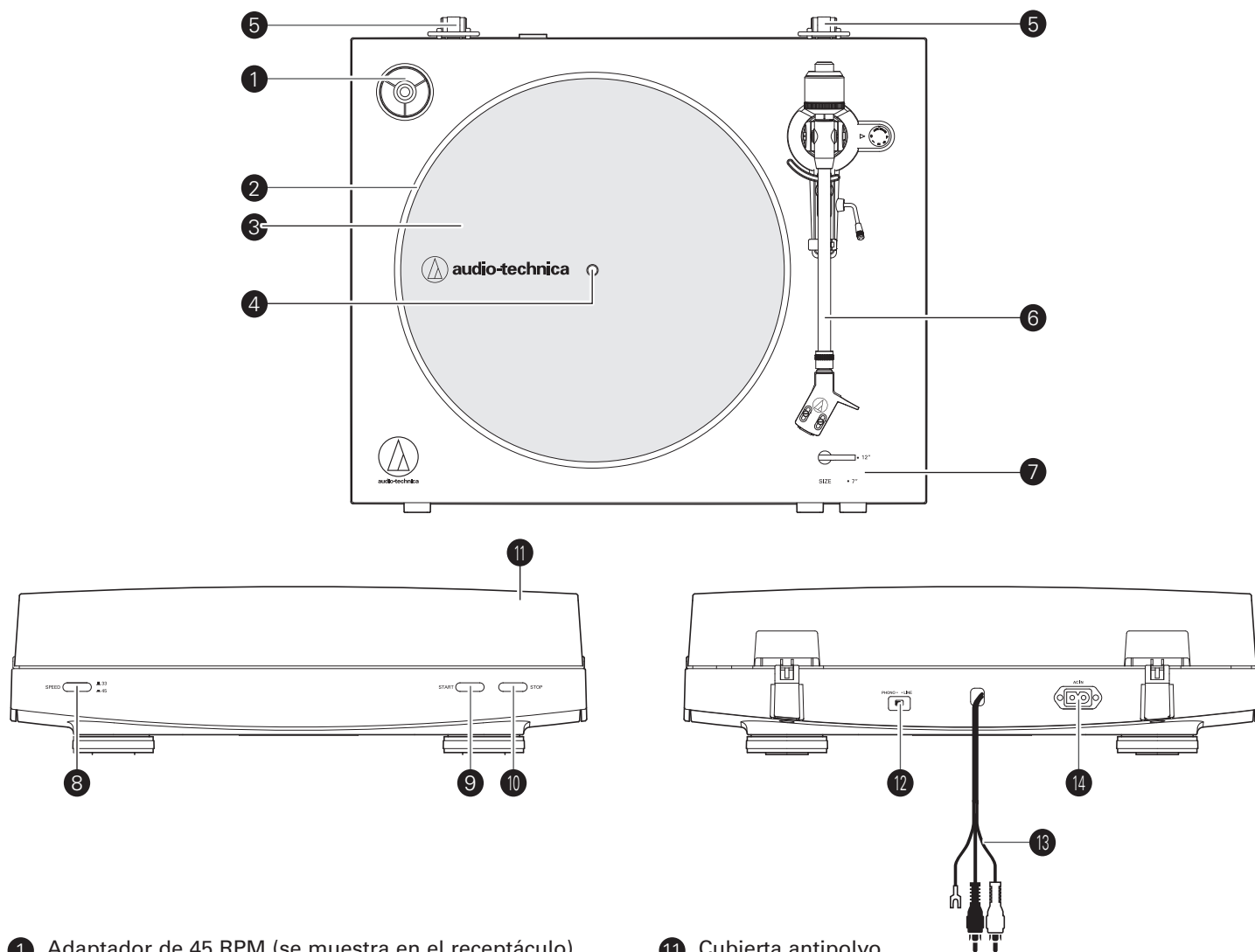
- No coloque ni utilice el producto en lugares sometidos a condiciones de altas temperaturas, humedad, suciedad o vibraciones.
- El producto debe colocarse sobre una superficie plana nivelada.

Cápsula

- Coloque el protector suministrado en la cápsula cuando no vaya a utilizar el producto.
- No toque la aguja de la cápsula con el dedo.
- No permita que la aguja golpee el plato, la alfombrilla de fieltro o el borde del disco.

Nombre y funciones de los componentes

Diagrama general



1 Adaptador de 45 RPM (se muestra en el receptáculo)

Seleccione la velocidad del plato (33-1/3 ó 45 RPM).

2 Plato

3 Alfombrilla de fieltro

4 Eje

5 Soportes de las bisagras de la cubierta antipolvo

Puntos de unión de las bisagras de la cubierta antipolvo.

6 Brazo fonocaptor

Para obtener más información, consulte "Brazo fonocaptor" en la pág. 5.

7 Selector de tamaño

Alterne entre 12" y 7", según el tamaño del disco.

8 Botón de velocidad del plato

Seleccione la velocidad del plato (33-1/3 ó 45 RPM).

9 Botón START (Iniciar)

Hace girar el plato y desplaza el brazo fonocaptor.

10 Botón STOP (Parar)

Devuelve el brazo fonocaptor a su posición original y detiene el plato.

11 Cubierta antipolvo

12 Interruptor selector de preamplificador

Si utiliza un amplificador con un conector de entrada PHONO, ajuste este interruptor en la posición PHONO. Si conecta al conector AUX de un amplificador, ajuste este interruptor en la posición LINE.

13 Cable de audio RCA (con toma de tierra)

Conéctelo al conector de entrada PHONO (toma de tierra a terminal de toma de tierra, si lo hubiese) o al conector de entrada AUX (LINE) de un receptor, amplificador u otro equipo conectable.

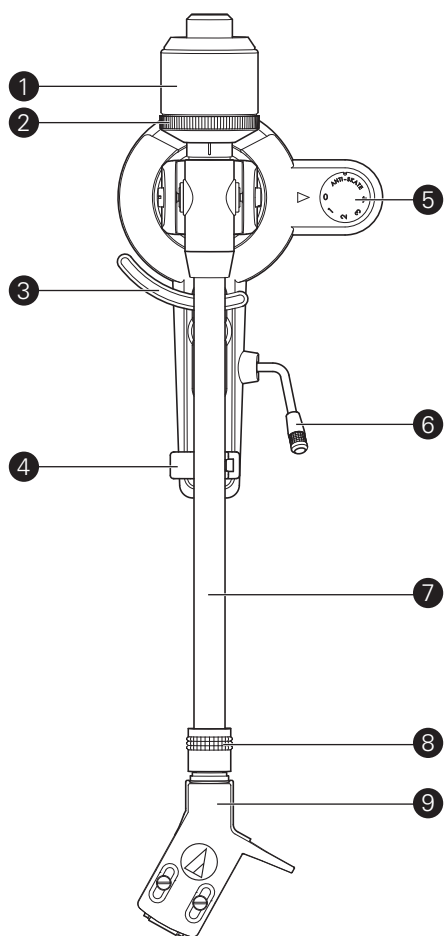
14 Entrada de CA

Inserte el cable de alimentación aquí.

Nombre y funciones de los componentes

Brazo fonocaptor

- 1 Contrapeso**
Equilibra el brazo fonocaptor y se ajusta para proporcionar la fuerza de seguimiento correcta.
- 2 Anillo calibrador de fuerza de seguimiento**
Utilícelo para ajustar la fuerza de seguimiento.
- 3 Elevador del brazo fonocaptor**
Desplaza el brazo fonocaptor verticalmente hacia y desde la cara del disco.
- 4 Soporte del brazo fonocaptor**
- 5 Selector de control "anti-skate" o de compensación de la fuerza lateral**
Durante la reproducción del disco, una fuerza actúa sobre la punta de la aguja que tira de ella hacia dentro. Dicha fuerza puede compensarse estableciendo los mismos valores "anti-skate", o de compensación de la fuerza lateral, y de fuerza de seguimiento.
- 6 Palanca de control del elevador del brazo fonocaptor**
Acciona el elevador del brazo fonocaptor.
- 7 Brazo fonocaptor**
- 8 Anillo de bloqueo**
Gire el anillo hacia la izquierda (sentido antihorario) para fijar el portacápsulas. Para retirar el portacápsulas, gire el anillo hacia la derecha.
- 9 Portacápsulas y cápsula**
La cápsula (AT91R) está instalada en el portacápsulas (AT-HS3).



Preparativos

Instalación del giradiscos

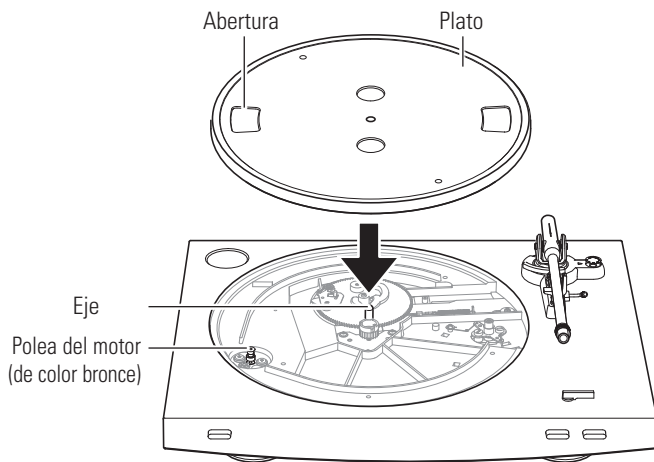
- Coloque el producto sobre una superficie nivelada.
- Para evitar los efectos de vibraciones y presión acústica, no sitúe el producto cerca de aparatos tales como altavoces.
- El producto podría captar estática de radio si se sitúa próximo a una radio. Así pues, procure mantener el producto alejado de una radio.
- Si el producto se encuentra cerca de aparatos (móvil, etc.) que emiten ondas de radio intensas, podría producirse ruido.

Colocación del plato y de la alfombrilla de fieltro

Este producto requiere cierta labor de montaje antes de poderse utilizar por primera vez.
No conecte el cable de alimentación hasta no haber completado el montaje.

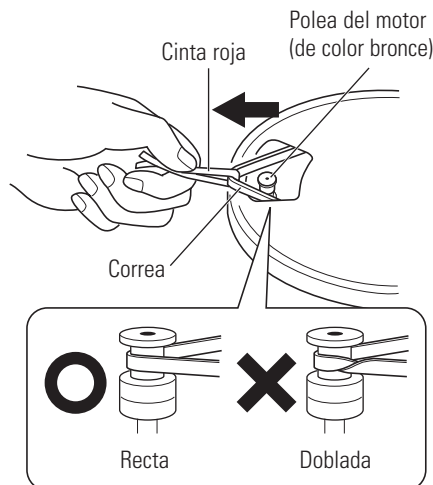
1. Coloque el plato en el eje.

- Asegúrese de que el plato quede totalmente encajado en el eje.

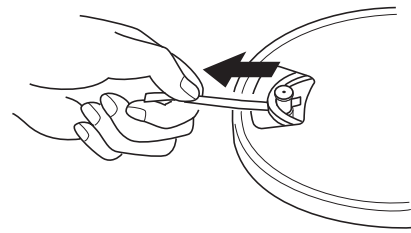


2. Coloque la correa en la polea del motor (de color bronce).

- Alinee las aberturas del plato con la polea del motor de color bronce, y tirando de ambos extremos de la cinta roja que viene acoplada a la correa, coloque la correa en la polea del motor, como se indica en el diagrama. Al realizar esta operación, preste atención para que la correa no se doble.

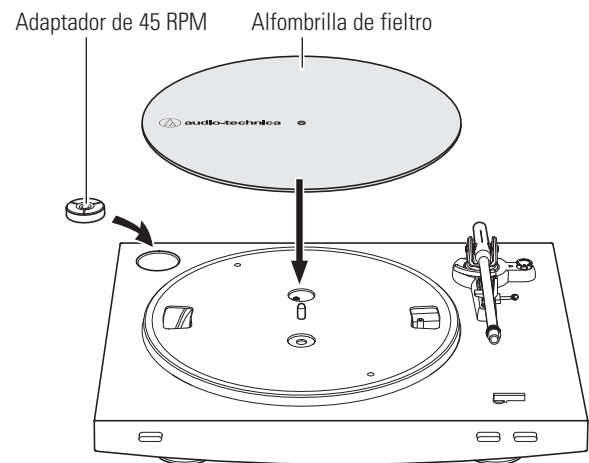


3. Retire la cinta roja de la correa.



4. Coloque la alfombrilla de fieltro sobre el plato.

- Una vez colocada la alfombrilla de fieltro, coloque el adaptador de 45 RPM en el hueco habilitado al efecto en la parte superior izquierda.

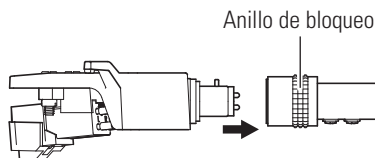


Preparativos

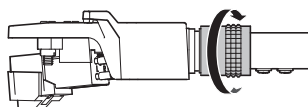
Montaje del brazo fonocaptor

1. Inserte el portacápsulas en el anillo de bloqueo.

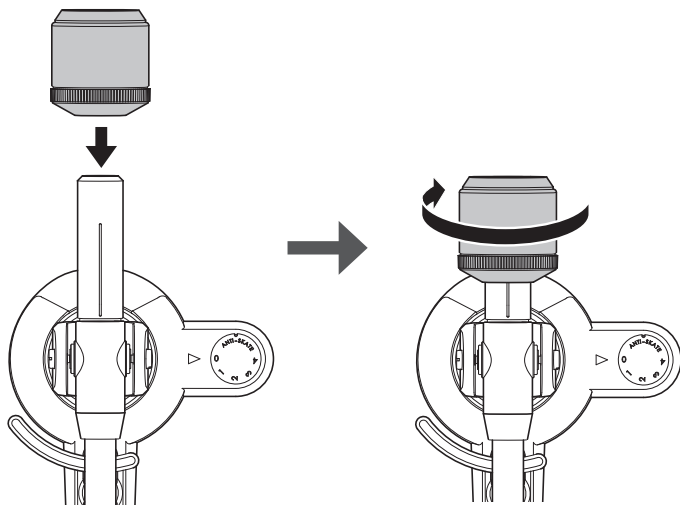
- Sujete el portacápsulas por los bordes derecho e izquierdo para no dañar la aguja ni cortar el cableado de la cápsula.



2. Una vez insertado el portacápsulas, gire el anillo de bloqueo en sentido antihorario (hacia la izquierda).



3. Con el anillo calibrador de fuerza de seguimiento mirando hacia delante, acople el contrapeso a la parte posterior del brazo fonocaptor, y girelo lentamente en sentido antihorario (hacia la izquierda).



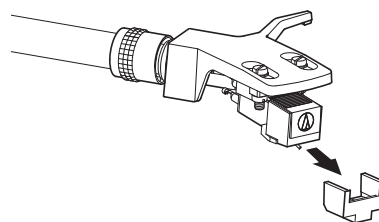
Equilibrio y fuerza de seguimiento del brazo fonocaptor

Para que la cápsula pueda captar correctamente el sonido del surco del disco, el equilibrio y la fuerza de seguimiento del brazo fonocaptor deben ajustarse según las especificaciones de la cápsula. Si el equilibrio y la fuerza de seguimiento no se ajustan correctamente, el disco o la aguja de la cápsula podría sufrir daños.

- No arrastre la aguja de la cápsula a lo ancho del disco o de la alfombrilla de fieltro cuando ajuste el equilibrio o la fuerza de seguimiento del brazo fonocaptor. Si lo hace, la aguja podría resultar dañada.

Ajuste del equilibrio del brazo fonocaptor

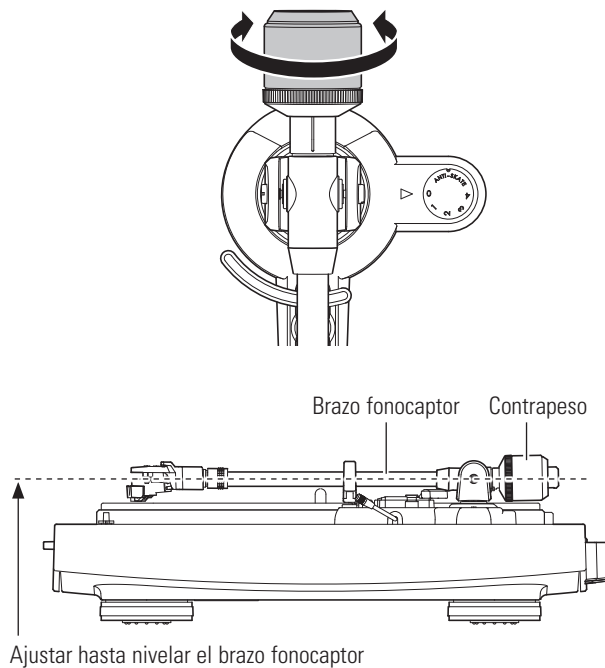
1. Retire el protector de la cápsula.



2. Sujetando el portacápsulas, retire la brida utilizada para retener el brazo fonocaptor cuando se entrega el producto.

3. Sujetando el portacápsulas con cuidado, gire el contrapeso para ajustar el equilibrio del brazo fonocaptor.

- Ajuste el equilibrio de modo que el brazo fonocaptor esté nivelado cuando suelte el portacápsulas.

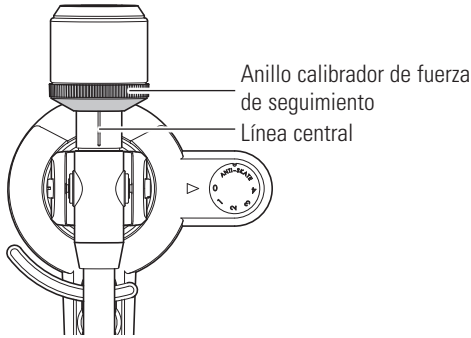


4. Vuelva a colocar el brazo fonocaptor sobre su soporte.

Preparativos

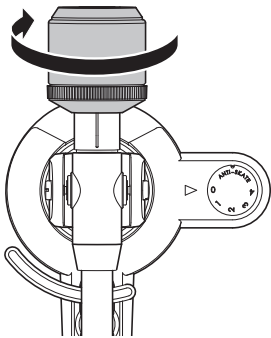
Ajuste de la fuerza de seguimiento

1. Sujetando el contrapeso para que no se mueva, gire el anillo calibrador de fuerza de seguimiento hasta alinear su posición "0" con la línea central de la parte posterior del brazo fonocaptor (la fuerza de seguimiento no se ajusta simplemente girando el anillo calibrador de fuerza de seguimiento).



2. Gire el contrapeso y el anillo calibrador de fuerza de seguimiento juntos en sentido antihorario hasta que el valor de la línea central coincida con el valor de fuerza de seguimiento recomendado para la cápsula que esté utilizando.

- Consulte las especificaciones del fabricante de la cápsula para conocer el valor de fuerza de seguimiento recomendado.
- El valor de fuerza de seguimiento de la cápsula suministrada con este producto es de 2,0 g.

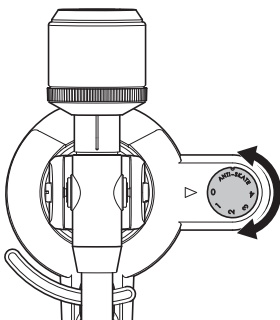


Ajuste del valor "anti-skate", o de compensación de la fuerza lateral

Durante la reproducción del disco, una fuerza actúa sobre la punta de la aguja que tira de ella hacia dentro. Dicha fuerza puede compensarse estableciendo los mismos valores "anti-skate", o de compensación de la fuerza lateral, y de fuerza de seguimiento.

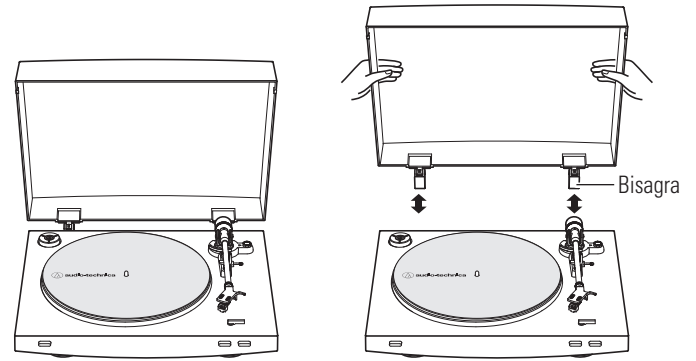
1. Ajuste el selector de control "anti-skate", o de compensación de la fuerza lateral, en el mismo valor que el valor de fuerza de seguimiento.

- El valor de fuerza de seguimiento de la cápsula suministrada con este producto es de 2,0 g.



Instalación/retirada de la cubierta antipolvo

Al colocar la cubierta antipolvo, inserte las bisagras de la cubierta antipolvo en los dos soportes correspondientes situados en la parte posterior del cuerpo. Al retirar la cubierta antipolvo, tire con cuidado de la cubierta para sacarla de los soportes de las bisagras de la cubierta antipolvo.



Ajuste del interruptor selector de preamplificador

Este producto incorpora una función ecualizador phono. Puede utilizar el producto aunque no disponga de un amplificador phono o un equipo conectable con amplificador phono integrado.

Utilice el interruptor selector de preamplificador para ajustar la salida, como se indica a continuación.

Equipo conectable utilizado	Posición del interruptor selector de preamplificador	Dónde conectar el cable de audio RCA
Dispositivo con entrada phono	PHONO	Conector de entrada phono y terminal de toma de tierra (masa) del equipo conectable
Dispositivo sin entrada phono	LINE	Conector AUX o de entrada de línea del equipo conectable
Tarjeta de sonido del ordenador	LINE	Conector de entrada de línea de la tarjeta de sonido del ordenador ^{*1}

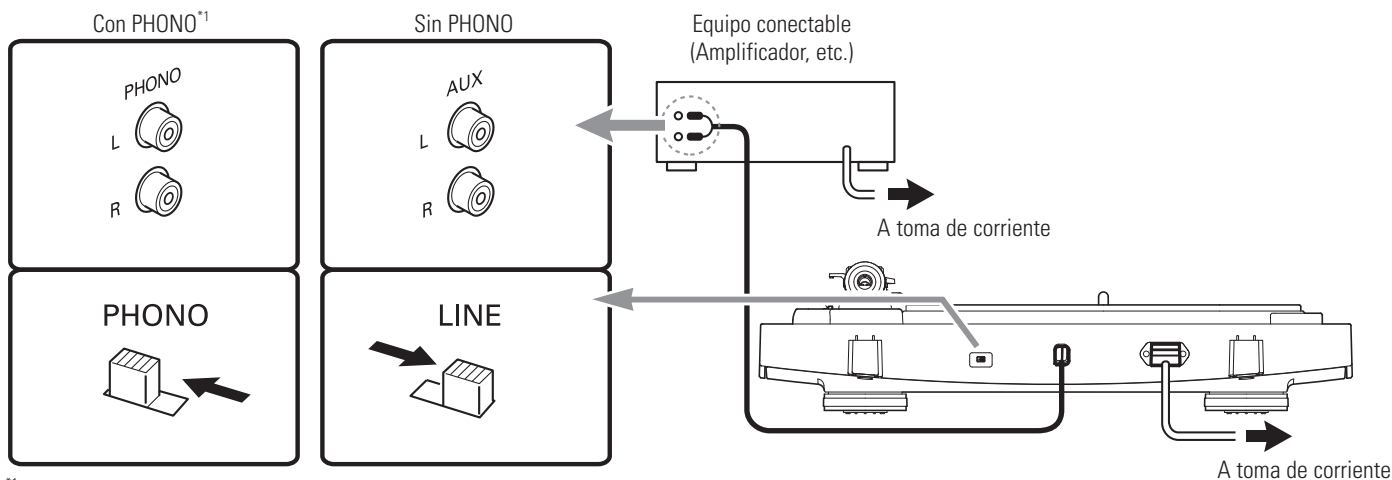
^{*1}Es posible que sea necesario utilizar un adaptador de audio (se vende por separado) para conectar el cable de audio RCA al conector de entrada de línea de la tarjeta de sonido del ordenador.

Preparativos

Conexión del dispositivo

Alinee los ajustes del interruptor selector de preamplificador y conecte el cable de audio RCA a un conector de entrada que sea compatible con el equipo conectable que esté utilizando (amplificador, receptor, altavoces activos, tarjeta de sonido, etc.).

- El conector rojo del cable de audio RCA es para el canal derecho (R) y el conector blanco, para el canal izquierdo (L).

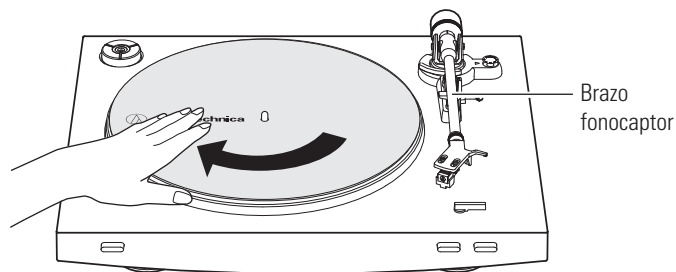


*¹Según el equipo conectable que esté utilizando, puede que haya un terminal de toma de tierra (masa) presente cerca del conector de entrada phono. En tal caso, conéctele la toma de tierra del cable de audio RCA. Esto ayudará a evitar el zumbido bajo que de lo contrario se oíría durante la reproducción.

Rotación del plato

1. Utilizando las manos, gire el plato diez veces.

- Levante la palanca de control del elevador del brazo fonocaptor para elevar el brazo fonocaptor. Con la mano gire lentamente el plato diez veces en la dirección de la flecha.
- Conviene sujetar el brazo fonocaptor para que no se mueva. Este paso sirve para restablecer el mecanismo automático, eliminar cualquier doblez de la correa y comprobar que la correa se desplace sin problema por el borde de tracción en la parte inferior del plato.

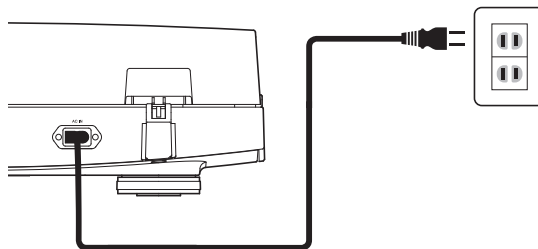


Conexión del cable de alimentación

Este producto no dispone de un interruptor de encendido/apagado. Siempre hay una corriente latente que recorre el producto, incluso cuando no se está utilizando; desconecte el enchufe del cable de alimentación de la toma de corriente cuando no vaya a utilizar el producto durante un periodo de tiempo prolongado.

1. Conecte el enchufe del cable de alimentación a la toma de corriente.

- Por motivos de seguridad, suba el brazo fonocaptor levantando la palanca de control de elevación del brazo fonocaptor.
- Conecte el enchufe del cable de alimentación a la toma de corriente sin quitar el protector de la cápsula. Si el plato ha girado, pulse el botón STOP (Parar) sin tocar el brazo fonocaptor, y espere hasta que el brazo fonocaptor regrese a su posición original.
- Si reproduce un disco inmediatamente después de conectar el cable de alimentación, es posible que el sonido se escuche distorsionado. Tras insertar el enchufe del cable de alimentación en la toma de corriente, espere unos instantes (30 segundos aprox.) antes de reproducir un disco.

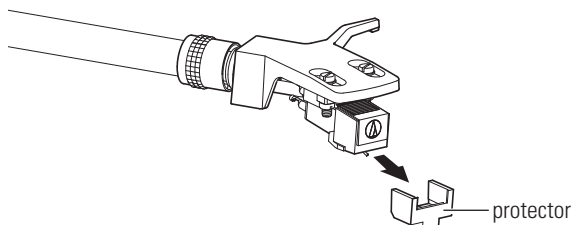


Reproducción de discos

Antes de reproducir un disco

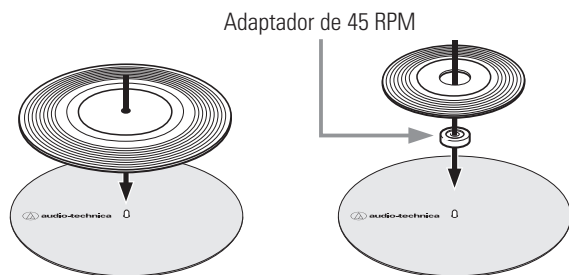
1. Retire el protector de la cápsula.

- Tire del protector hacia delante para sacarlo.
- Si ejerce presión hacia abajo, la aguja podría desprenderse del cuerpo. Si la aguja se desprende o está a punto de desprenderse, sólo se emitirá un nivel de volumen bajo. Para volver a colocar la aguja correctamente, consulte "Reposición de la aguja" en la pág. 11.



2. Coloque el disco en la alfombrilla de fieltro, de manera que el agujero central quede alineado con el eje.

- Si va a reproducir un disco de 45 RPM con un gran agujero central, coloque el adaptador de 45 RPM (véase la parte derecha de la imagen siguiente).

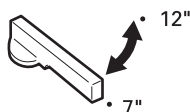


Funcionamiento automático

Baje el volumen del amplificador, altavoces, etc. lo suficiente.

1. Seleccione el tamaño con el selector de tamaño.

- Seleccione "12''" para un disco LP con un diámetro de 12", y "7''" para un disco de 45 RPM con un diámetro de 7 cm.



2. Seleccione la velocidad con el botón de velocidad del plato.

- Seleccione "33" para un disco de 33-1/3 RPM, y "45" para un disco de 45 RPM.



3. Pulse el botón START (Iniciar).

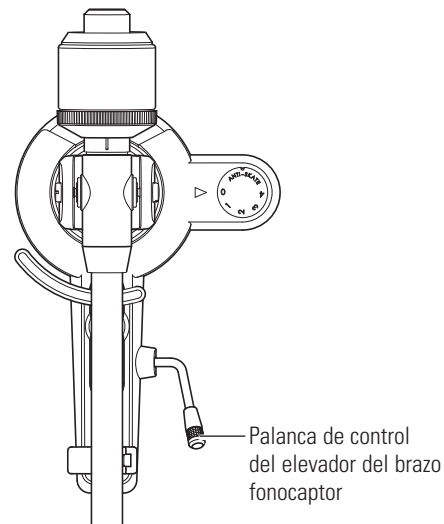
- No golpee el producto mientras se está reproduciendo un disco.
- No cambie el ajuste de tamaño del disco mientras se está reproduciendo un disco. De no seguir dichas instrucciones, podría provocar un mal funcionamiento del producto.



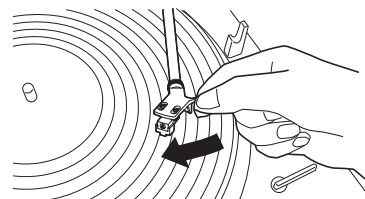
Funcionamiento manual

Baje el volumen del amplificador, altavoces, etc. lo suficiente.

1. Suba el brazo fonocaptor situando la palanca de control de elevación del brazo fonocaptor en la posición "UP".



2. Coloque el brazo fonocaptor en la posición deseada (surco) del disco.



3. Baje el brazo fonocaptor situando la palanca de control de elevación del brazo fonocaptor en la posición "DOWN". El brazo fonocaptor desciende lentamente sobre el disco y comienza la reproducción.

- También puede saltarse los pasos 1 a 3, y utilizar el elevador manual del portacápsulas para situar el brazo fonocaptor en la posición deseada del disco. Baje con cuidado el brazo fonocaptor hasta la superficie del disco.
- No someta el producto a impactos fuertes durante la operación de reproducción.

Interrupción de la reproducción de un disco

1. Una vez bajado el volumen del amplificador, altavoces, etc. lo suficiente, levante el brazo fonocaptor con la palanca de control del elevador del brazo fonocaptor.

Reproducción de discos

Detención de la reproducción del disco

Una vez finalizada la reproducción del disco, el brazo fonocaptor vuelve automáticamente a su soporte.

Para detener la reproducción del disco manualmente, haga lo siguiente.

1. Baje el volumen del amplificador, altavoces, etc. lo suficiente.
2. Pulse el botón STOP (Parar).

- Cuando se para la reproducción del disco, el brazo fonocaptor vuelve automáticamente a su soporte.



3. Retire el disco cuando el plato se haya detenido por completo.

- Cuando el brazo fonocaptor llegue al final (centro) del disco, automáticamente se levantará y regresará a su soporte. No obstaculice su desplazamiento. Si lo hace, podría provocar un mal funcionamiento del producto. Si el brazo fonocaptor no se levanta y vuelve a su soporte, pulse el botón STOP (Parar) para completar esta operación.
- Si la alfombrilla de fieltro se ensucia, podría rayar el disco con facilidad, así que retire la alfombrilla de fieltro cada cierto tiempo para limpiarle el polvo.
- Para evitar que el disco sufra arañazos o deformación, retírelo una vez utilizado.
- No utilice un disco estabilizador.
- No utilice un plato distinto al suministrado.
- Este producto no ha sido diseñado para DJs. No toque el disco o el plato mientras se está reproduciendo un disco.

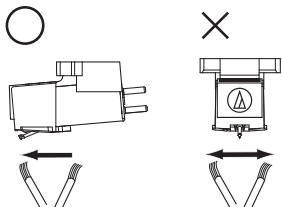
Cuidados

Cuerpo del giradiscos

- Si el cuerpo del giradiscos tiene polvo o suciedad, en primer lugar desconecte el enchufe del cable de alimentación y luego limpie la suciedad y el polvo con un paño suave y seco.
- No utilice bencenos, diluyentes, etc.
- Cuando vaya a guardar el producto durante un periodo de tiempo prolongado, desconecte el enchufe del cable de alimentación de la toma de corriente y envuelva el equipo en plástico; procure que no se humedezca.

Punta de la aguja

- Si se adhiere suciedad o mugre a la punta de la aguja, límpiela con un cepillo común.
- Se recomienda utilizar un limpiador de agujas (se vende por separado) si la punta de la aguja está muy sucia. Limpie la punta de la aguja moviendo el cepillo de atrás hacia delante de la punta de la aguja.

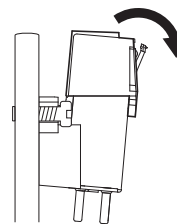


Reposición de la punta

Retirada de la aguja

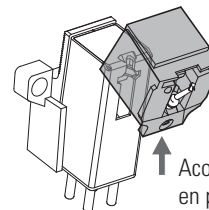
- Además del deterioro en la calidad del sonido, los discos también podrían sufrir daños a medida que la punta de la aguja de la cápsula se va desgastando.
- Por regla general, cambie la punta al cabo de 300 a 500 horas de uso.
- Desconecte el enchufe del cable de alimentación del producto de la toma de corriente.

1. Libere el portacápsulas del brazo fonocaptor.
 - Sujete el brazo fonocaptor firmemente y retire el portacápsulas con cuidado.
2. Retire el protector de la cápsula.
3. Retire la aguja tirando en la dirección de la flecha.



Instalación de una aguja nueva

1. Instale la aguja de repuesto nueva en la cápsula.



Acople la presilla posterior en primer lugar.

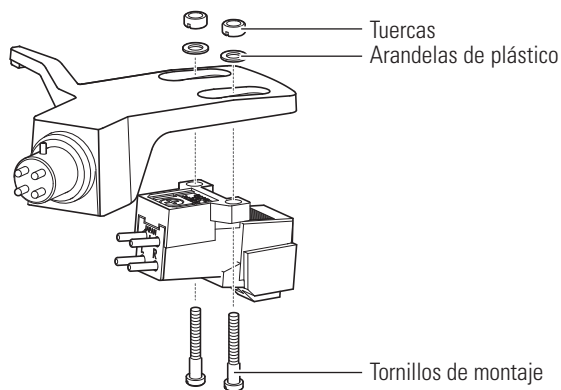
2. Acople el protector a la cápsula.
3. Acople el portacápsulas al brazo fonocaptor.

Reposición de una cápsula

Reposición de una cápsula nueva

Si va a sustituir la cápsula (AT91R) que venía con este producto por otra disponible en tiendas, consulte el manual del usuario de la cápsula que vaya a utilizar. Una vez sustituida la cápsula antigua por una nueva, debe reajustar la proyección así como el equilibrio y la fuerza de seguimiento del brazo fonocaptor.

1. **Libere el portacápsulas del brazo fonocaptor.**
 - Sujete el brazo fonocaptor firmemente y retire el portacápsulas con cuidado.
2. **Retire la aguja de la cápsula.**
 - Consulte "Retirada de la aguja" en la pág. 11.
3. **Retire los hilos conductores.**
 - Preste atención para no dañar los hilos conductores.
4. **Sirviéndose de un destornillador no metálico de pala común, extraiga los tornillos de montaje y, a continuación, retire la cápsula del portacápsulas.**
5. **Para obtener instrucciones de montaje, consulte el manual del usuario de la cápsula nueva.**

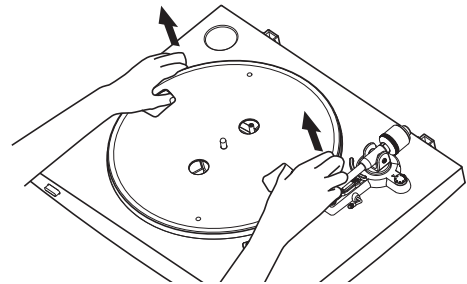


6. **Sirviéndose de un destornillador no metálico de pala común, apriete los tornillos en ambos puntos y, a continuación, ajuste la proyección.**
 - Consulte "Ajuste de la proyección" en la pág. 13.
 - Una vez realizados los ajustes, apriete los tornillos firmemente.
7. **Acople el portacápsulas al brazo fonocaptor.**
8. **Ajuste el equilibrio y la fuerza de seguimiento del brazo fonocaptor.**
 - Para efectuar los reajustes, consulte "Equilibrio y fuerza de seguimiento del brazo fonocaptor" en la pág. 7.

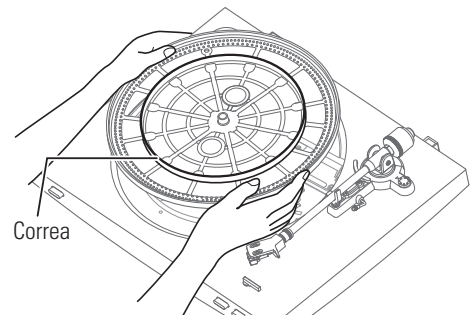
Reposición de la correa

- La correa es un consumible. Cambie la correa si se ralentiza la velocidad de reproducción o se produce una rotación irregular. Por regla general, se recomienda cambiar la correa una vez al año.
- Antes de cambiar la correa, desconecte el enchufe del cable de alimentación del producto de la toma de corriente.

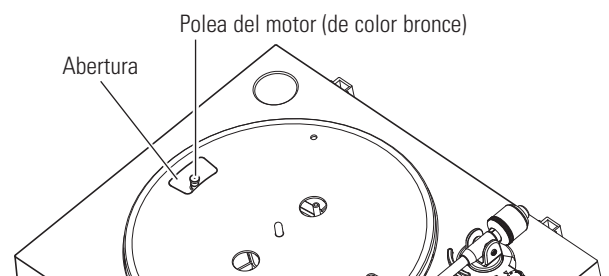
1. **Retire la alfombrilla de fieltro.**
2. **Retire el plato, dele la vuelta y, a continuación, retire la correa antigua.**
 - Coloque los dedos pulgares en las aberturas y tire hacia arriba con fuerza.



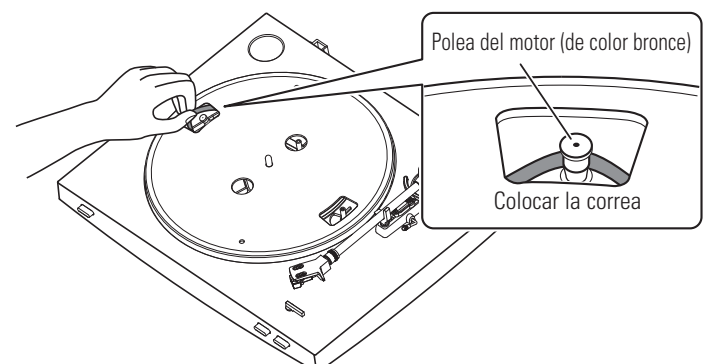
3. **Coloque la correa nueva alrededor del círculo interior.**
 - Procure no doblar la correa mientras realiza esta operación.



4. **Coloque el plato.**
 - Alinee una de las aberturas con la posición de la polea del motor (de color bronce).



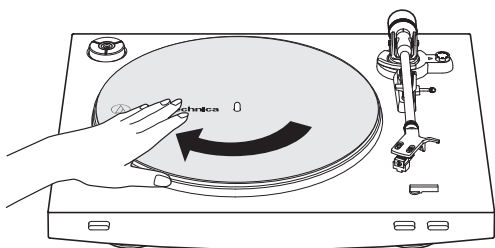
5. **Coloque la correa en la polea del motor (de color bronce).**
 - Agarre la correa que instaló en el paso 3 y, tirando de ella, colóquela en la polea del motor de color bronce.



Reposición de la correa

6. Utilizando las manos, gire el plato diez veces.

- Levante la palanca de control del elevador del brazo fonocaptor para elevar el brazo fonocaptor. Con la mano gire lentamente el plato diez veces en la dirección de la flecha.



Traslado del giradiscos

Utilizando el material de embalaje original del producto, envuelva el giradiscos en orden inverso al proceso de desembalaje. Si no dispone del material de embalaje, realice las siguientes acciones:

- Una vez desconectado el enchufe del cable de alimentación de la toma de corriente, retire la alfombrilla de fieltro y el plato y luego envuelva ambos para evitar que sufran daños.
- Utilice una cuerda o similar para atar el brazo fonocaptor al soporte e inmovilizarlo.
- Retire el contrapeso.
- Retire el portacápsulas del brazo fonocaptor con el protector acoplado a la cápsula y, a continuación, envuelva el conjunto completo del portacápsulas para evitar que sufra daños.
- Envuelva el cuerpo del giradiscos en papel o en un paño suave para evitar que sufra daños.

Ajuste de la proyección

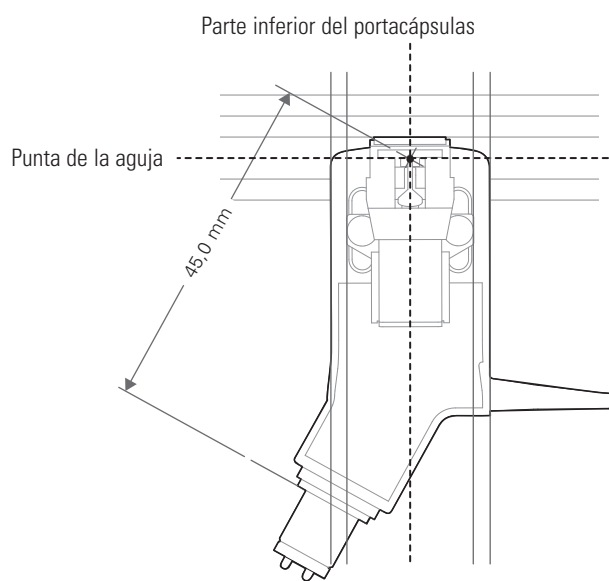
La posición de la cápsula se debe determinar con precisión (ajuste de la proyección) al instalar una cápsula o un portacápsulas distinto del suministrado.

1. Instale la cápsula de forma que quede paralela al portacápsulas.

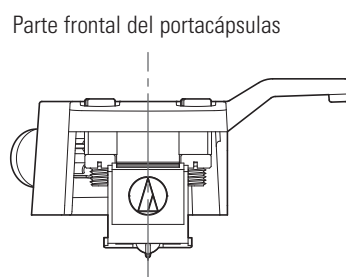
- Coloque la cápsula y el portacápsulas sobre la figura siguiente haciendo coincidir las posiciones, e instale la cápsula de modo que quede paralela al portacápsulas.

Guía de ajuste de la proyección

Esta ilustración es una representación a tamaño real. Coloque el portacápsulas sobre la imagen siguiente y ajuste la punta de la aguja de la cápsula nueva a lo largo de las líneas correspondientes a la "Punta de la aguja" de la cápsula.



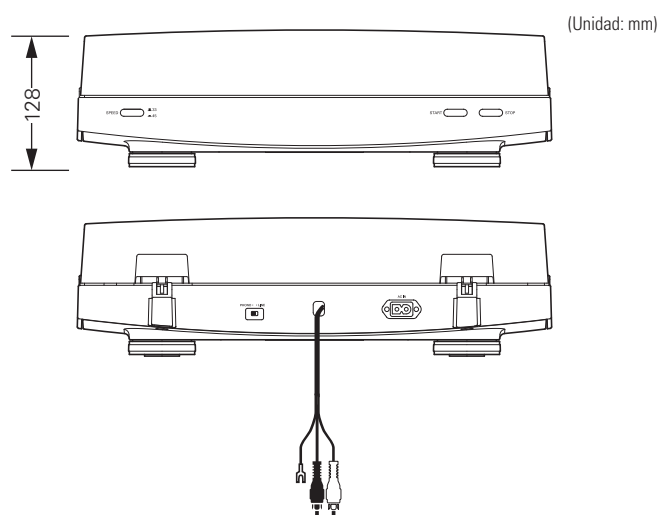
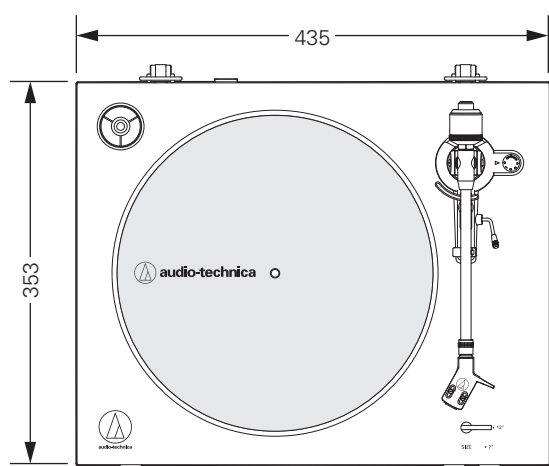
2. Instale la cápsula perpendicular a la parte superior del portacápsulas.



Solución de problemas

Problema	Solución
El plato no gira.	<ul style="list-style-type: none"> • ¿Está conectado el enchufe del cable de alimentación a la toma de corriente? Conecte el enchufe del cable de alimentación a la toma de corriente. • ¿Se ha soltado la correa del plato? Coloque la correa correctamente en el plato. • ¿Está colocada la correa en la polea del motor? Compruebe que la correa esté colocada correctamente en la polea del motor (de color bronce). • ¿Está dañada la correa? Cámbiela por una correa nueva.
El plato gira, pero no hay sonido o el volumen no es lo suficientemente alto.	<ul style="list-style-type: none"> • ¿Se han seleccionado correctamente los ajustes de función y la entrada para el equipo conectado (amplificador, etc.)? Compruebe si los ajustes para el equipo conectado son correctos. • ¿Está dañada la aguja? Compruebe la aguja y cámbiela si fuese necesario. • ¿Está la aguja correctamente colocada en el cuerpo de la cápsula? Compruebe la cápsula y realice los ajustes necesarios. • ¿Son correctas las posiciones de ajuste del interruptor selector de preamplificador? Compruebe que los ajustes de preamplificador son correctos, teniendo en cuenta los siguientes problemas habituales y sus causas: <ul style="list-style-type: none"> – Si no hay sonido, o si el volumen no es lo suficientemente alto, es que el producto está ajustado en la posición "PHONO" y conectado a la entrada AUX/LINE del amplificador. – Si el volumen es excesivamente alto o está distorsionado, es que el producto está ajustado en la posición "LINE" y el equipo conectable está conectado a la entrada PHONO. • ¿Está la fuerza de seguimiento ajustada muy fuerte? Ajuste la fuerza de seguimiento.
La aguja da saltos.	<ul style="list-style-type: none"> • ¿Está la fuerza de seguimiento ajustada muy floja? Ajuste la fuerza de seguimiento. • ¿Está el "anti-skate", o compensación de la fuerza lateral, mal ajustado? Compruebe que está definido con el mismo valor que la fuerza de seguimiento de la cápsula. • ¿Está el disco deformado? Compruebe el disco. • ¿Está el disco arañado? Compruebe el disco.
Se produce chillido.	<ul style="list-style-type: none"> • ¿Está recogiendo el producto demasiadas vibraciones del suelo, paredes o altavoces cercanos? Reduzca las vibraciones o instale el producto en una superficie que no esté sometida a los efectos de las vibraciones. • ¿Está el producto instalado en una superficie inestable? Compruebe si la superficie donde se encuentra instalado el producto es inestable.
Se produce ruido durante la reproducción del disco.	<ul style="list-style-type: none"> • ¿Hay polvo en la punta de la aguja de la cápsula? Si hay polvo adherido a la punta de la aguja, límpielo con un cepillo común.
El sonido durante la reproducción del disco es demasiado rápido o demasiado lento.	<ul style="list-style-type: none"> • ¿Está la velocidad bien ajustada? Utilice el botón de velocidad del plato para seleccionar la velocidad correspondiente al tipo de disco que se esté reproduciendo.
La velocidad de reproducción se ralentiza o la rotación es irregular.	<ul style="list-style-type: none"> • ¿Está la correa floja? Cámbiela por una correa nueva.
Se oye un zumbido durante la reproducción.	<ul style="list-style-type: none"> • ¿Está la línea de toma de tierra conectada correctamente? Compruebe que la línea de toma de tierra está bien conectada. • ¿Está el portacápsulas acoplado firmemente al brazo fonocaptor? Compruebe que el anillo de bloqueo esté apretado.

Dimensiones



(Unidad: mm)

Especificaciones

Especificaciones del giradiscos

Tipo	Funcionamiento de 2 velocidades totalmente automático
Motor	Motor CC
Método de control	Transmisión por correa
Velocidades	33-1/3 rpm, 45 rpm
Plato del giradiscos	Aluminio fundido
Ululación y vibración	< 0,2 % WRMS (33 RPM) a 3 kHz
Relación señal/ruido	> 60 dB
Niveles de salida "PHONO" "LINE"	3,5 mV nominal a 1 kHz, 5 cm/seg 220 mV nominal a 1 kHz, 5 cm/seg
Ganancia del preamplificador fono	36 dB nominal, RIAA ecualizado

Especificaciones del brazo fonocaptor

Tipo	Recto con equilibrio estático y control de amortiguación suave
Longitud efectiva	221,5 mm
Proyección	19 mm
Ángulo de error de seguimiento máximo	Menos de 3°
Rango de ajuste de presión de la aguja	De 1 a 4 g
Rango de peso aplicable a la cápsula (incluido el portacápsulas)	De 14,5 a 20 g

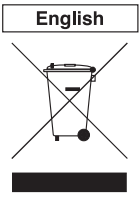
Especificaciones de la cápsula y el portacápsulas

Modelo de cápsula	AT91R
Tipo de cápsula	Doble imán móvil VM
Impedancia de carga recomendada	47.000 ohmios
Voltaje de salida	3,5 mV (mV a 1 kHz, 5 cm/seg)
Aguja	Cónica de 0,6 mil
Cantilever	Tubo de aluminio
Rango de fuerza de seguimiento	De 1,5 a 2,5 g (estándar 2,0 g)
Peso de la cápsula	5,0 g
Modelo de portacápsulas	AT-HS3 BK
Peso del portacápsulas	11,1 g
Ajuste de la proyección del portacápsulas	8 mm

Especificaciones generales

Requisitos de alimentación	220 a 240 V AC / 50/60 Hz
Consumo de energía	2 W
Dimensiones	435 mm×353 mm×128 mm (An×Fn×Al)
Peso	5,2 kg
Accesorios incluidos	Alfombrilla de fieltro, cubierta antipolvo, plato (con correa de transmisión), contrapeso, portacápsulas (AT-HS3) con cápsula estéreo VM (AT91R), adaptador de 45 RPM, cable de alimentación
Aguja de repuesto (se vende por separado)	ATN91R
Portacápsulas de repuesto (se vende por separado)	AT-HS3 BK
Correa de repuesto (se vende por separado)	Correa exclusiva AT-LP2X

Especificaciones sujetas a cambio sin previo aviso debido a mejoras.



English

Disposal of Old Electrical & Electronic Equipment (Applicable in European countries with separate collection systems)

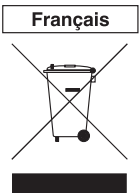
This symbol on the product or on its packaging indicates that this product shall not be treated as household waste. Instead it shall be handed over to the applicable collection point for the recycling of electrical and electronic equipment. By ensuring this product is disposed of correctly, you will help prevent potential negative consequences for the environment and human health, which could otherwise be caused by inappropriate waste handling of this product. The recycling of materials will help to conserve natural resources. For more detailed information about recycling of this product, please contact your local city office, your household waste disposal service or the shop where you purchased the product.



Deutsch

Entsorgung von gebrauchten elektrischen und elektronischen Geräten (Anzuwenden in den europäischen Ländern mit einem separaten Sammelsystem für diese Geräte)

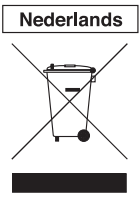
Das Symbol auf dem Produkt oder seiner Verpackung weist darauf hin, dass dieses Produkt nicht als normaler Haushaltsabfall zu behandeln ist, sondern an einer Annahmestelle für das Recycling von elektrischen und elektronischen Geräten abgegeben werden muss. Durch Ihren Beitrag zum korrekten Entsorgen dieses Produkts schützen Sie die Umwelt und die Gesundheit Ihrer Mitmenschen. Umwelt und Gesundheit werden durch falsches Entsorgen gefährdet. Materialrecycling hilft den Verbrauch von Rohstoffen zu verringern. Weitere Informationen über das Recycling dieses Produkts erhalten Sie von Ihrer Gemeinde, den kommunalen Entsorgungsbetrieben oder dem Geschäft, in dem Sie das Produkt gekauft haben.



Français

Traitement des appareils électriques et électroniques en fin de vie (Applicable dans les pays européens disposant de systèmes de collecte sélective)

Ce symbole, apposé sur le produit ou sur son emballage, indique que ce produit ne doit pas être traité avec les déchets ménagers. Il doit être remis à un point de collecte approprié pour le recyclage des équipements électriques et électroniques. En s'assurant que ce produit est bien mis au rebut de manière appropriée, vous aiderez à prévenir les conséquences négatives potentielles pour l'environnement et la santé humaine. Le recyclage des matériaux aidera à conserver les ressources naturelles. Pour toute information supplémentaire au sujet du recyclage de ce produit, vous pouvez contacter votre municipalité, votre déchetterie ou le magasin où vous avez acheté le produit.



Nederlands

Verwijdering van oude Elektrische en Elektronische Apparaten (Toepasbaar in de Europese landen met gescheiden ophaalsysteem)

Het symbool op het product of op de verpakking wijst erop dat dit product niet als huishoudafval mag worden behandeld. Het moet echter naar een plaats worden gebracht waar elektrische en elektronische apparatuur wordt gerecycled. Als u ervoor zorgt dat dit product op de correcte manier wordt verwijderd, voorkomt u voor mens en milieu negatieve gevolgen die zich zouden kunnen voordoen in geval van verkeerde afvalbehandeling. De recycling van materialen draagt bij tot het vrijwaren van natuurlijke bronnen. Voor meer details in verband met het recyclen van dit product, neemt u het best contact op met de gemeentelijke instanties, het bedrijf of de dienst belast met de verwijdering van huishoudafval of de winkel waar u het product hebt gekocht.



Dansk

Håndtering af udtjent elektrisk og elektronisk udstyr (Gælder for europæiske lande med separate indsamlingssystemer).

Dette symbol på produktet eller emballagen angiver, at produktet ikke må behandles som husholdningsaffald. Det skal i stedet indleveres på en deponeringsplads specielt indrettet til modtagelse og genbrug af elektrisk og elektronisk udstyr. Ved at sikre, at produktet bortskaffes korrekt, forebygges de eventuelle negative miljø- og sundhedsskadelige påvirkninger, som en ukorrekt affaldshåndtering af produktet kan forårsage. Genbrug af materialer vil medvirke til at bevare naturens ressourcer. Yderligere information om genbrug af dette produkt kan fås hos myndighederne, det lokale renovationselskab eller i butikken, hvor produktet blev købt.



Svenska

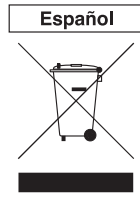
Omhändertagande av gamla elektriska och elektroniska produkter (användbara i europeiska länder med separata insamlingssystem)

Symbolen på produkten eller emballaget anger att produkten inte får hanteras som hushållsaffall. Den skall i stället lämnas in på uppsamlingsplats för återvinning av el- och elektronikkomponenter. Genom att säkerställa att produkten hanteras på rätt sätt bidrar du till att förebygga eventuella negativa miljö- och hälsoeffekter som kan uppstå om produkten kasseras som vanligt avfall. Återvinning av material hjälper till att bibehålla naturens resurser. För ytterligare upplysningar om återvinning bör du kontakta lokala myndigheter eller sophämtningstjänst eller affären där du köpte varan.

本説明文はヨーロッパ電気電子機器回収システムにかかわる案内です。

本説明文是关于欧洲电器电子机械回收系统的介绍。

이 설명문은 유럽 전기전자 기기 회수 시스템에 관련된 안내입니다.



Español

Tratamiento de los equipos eléctricos y electrónicos al final de su vida útil (Aplicable en países europeos con sistemas de recogida selectiva de residuos)

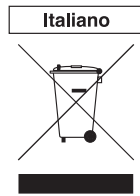
Este símbolo en su equipo o su embalaje indica que el presente producto no puede ser tratado como residuos domésticos normales, sino que deben entregarse en el correspondiente punto de recogida de equipos eléctricos y electrónicos. Asegurándose de que este producto es desechado correctamente, Usted está ayudando a prevenir las consecuencias negativas para el medio ambiente y la salud humana que podrían derivarse de la incorrecta manipulación de este producto. El reciclaje de materiales ayuda a conservar los recursos naturales. Para recibir información detallada sobre el reciclaje de este producto, por favor, contacte con su ayuntamiento, su punto de recogida más cercano o el distribuidor donde adquirió el producto.



Português

Tratamento de Equipamentos Eléctricos e Electrónicos no final da sua vida útil (Aplicável em países Europeus com sistemas de recolha independentes)

Este símbolo no produto ou na sua embalagem indica que este não deve ser tratado como resíduo doméstico. Ao invés, será colocado no ponto de recolha destinado à reciclagem de equipamento eléctrico e electrónico. Asegurando-se que este produto é despejado correctamente, você irá prevenir potenciais consequências negativas para o meio ambiente bem como para a saúde humana, que de outra forma poderiam ocorrer pela manipulação imprópria deste produto. A reciclagem dos materiais contribuirá para a conservação dos recursos naturais. Para obter mais informação detalhada sobre a reciclagem deste produto, por favor contacte o município acentos onde reside, os serviços de recolha de resíduos da sua área ou a loja onde o produto foi adquirido.



Italiano

Trattamento del dispositivo elettrico od elettronico (Applicabile in tutti i paesi dell'Unione Europea che utilizzano un sistema di raccolta differenziata)

Questo simbolo sul prodotto o sulla confezione indica che il prodotto non deve essere riposto in un punto di raccolta adibito a rifiuti domestici. Deve invece essere trattato nel punto di raccolta appropriato per il riciclo di apparecchi elettrici ed elettronici. Assicurandovi che questo prodotto sia smaltito correttamente, contribuirete a prevenire potenziali conseguenze negative per l'ambiente e per la salute che potrebbero altrimenti essere causate dal uno smaltimento inadeguato. Il riciclaggio dei materiali aiuta a conservare le risorse naturali. Per informazioni più dettagliate circa il riciclaggio di questo prodotto, potete contattare il vostro ufficio comunale, il servizio locale di smaltimento rifiuti oppure il negozio dove l'avete acquistato.



Język polski

Pozbywanie się zużytego sprzętu (Stosowane w krajach europejskich posiadających system selektywnej zbiórki odpadów)

Takie oznaczenie na produkcie lub jego opakowaniu wskazuje, że produkt nie może być traktowany jako odpad komunalny lecz powinno się go dostarczyć do odpowiedniego punktu zbiórki sprzętu elektrycznego i elektronicznego w celu recyklingu. Zapewniając prawidłową dyspozycję dotyczącą produktu, zapobiega się jego negatywnemu działaniu na środowisko oraz zdrowie ludzi, jakie mogłoby wystąpić w przypadku niewłaściwego postępowania. Recykling materiałów pomoże w ochronie bogactw naturalnych. W celu uzyskania bardziej szczegółowych informacji na temat recyklingu tego produktu, należy skontaktować się z urzędem miejskim, ze służbami oczyszczania miasta lub ze sklepem, w którym ten produkt został zakupiony.



Русский

Утилизация электрического и электронного оборудования (директива применяется в странах, где действуют система раздельного сбора отходов).

Данный знак на устройстве или его упаковке обозначает, что данное устройство нельзя утилизировать вместе с прочими бытовыми отходами. Его следует сдать в соответствующий приемный пункт переработки электрического и электронного оборудования. Неправильная утилизация данного изделия может привести к потенциально негативному влиянию на окружающую среду и здоровье людей, поэтому для предотвращения подобных последствий необходимо выполнять специальные требования по утилизации этого изделия. Переработка данных материалов поможет сохранить природные ресурсы. Для получения более подробной информации о переработке этого изделия обратитесь в местные органы городского управления, службу сбора бытовых отходов или в магазин, где было приобретено изделие.



Suomi

Käytöstä poistetun sähkö- ja elektroniikkalaitteen hävitys (Euroopan maiden keräysjärjestelmät)

Symboli, joka on merkitty tuotteeseen tai sen pakkaukseen, osoittaa, että tätä tuotetta ei saa käsitellä talousjätteenä. Tuote on sen sijaan luovutettava sopivaan sähkö- ja elektroniikkalaitteiden kierrätyksestä huolehtivaan keräyspisteeseen. Tämän tuotteen asianmukaisen hävittämisen varmistamisella autetaan estämään sen mahdolliset ympäristöön ja terveyteen kohdistuvat haittavaikutukset, joita voi aiheutua muussa tapauksessa tämän epäasianmukaisesta jättekäsitteystä. Materiaalien kierrätys säästää luonnonvaroja. Tarkempia tietoja tämän tuotteen kierrättämisestä saa paikallisesta kunnantontimestosta.

Importer for Europe / Importateur pour l'Europe / Importeur für Europa / Importatore per l'Europa / Importador para a Europa / Importador para Europa / Importeur voor Europa / Вноситель за Европа / Uvoznik za Evropu / Dovezce pro Evropu / Importer for Europa / Euroopa Importija / Euroopan maahantuojia / Εισαγωγέας για την Ευρώπη / Európai importőr / Allmaireoir don Eoraip / Importētājs Eiropai / Importuotojas Europoje / Importatør ghall-Ewropa / Importer dla Europy / Importator pentru Europa / Dovezca pre Európu / Uvoznik za Evropo / Importör för Europa

Audio-Technica Limited
Technica House, Unit 5, Millennium Way, Leeds LS11 5AL, United Kingdom

Manufactured by / fabriqué par / hergestellt durch / Prodotto da / fabricado por / fabricado por / vervaardigd door / Произведено от / Proizvođač / Výrobce / Fremstillet af / valmistatud / Valmistaja / Κατασκευάστηκε από / Gyártó / mhoneiraigh / Ražotājs / Gamintojas / manufakturat minn / wyprodukowane przez / Produs de / Výrobca / Proizvajalec / tillverkad av

Audio-Technica Corp.
2-46-1 Nishi-naruse, Machida, Tokyo 194-8666, Japan

Visit our website: www.audio-technica.com

Two-Years Limited Warranty

Audio-Technica products purchased in the UK and EU / Europe are guaranteed for two years from date of purchase by Audio-Technica Ltd. to be free of defects in materials and workmanship. In the event of such defect, product will be repaired promptly without charge or, at our option, replaced with a new product of equal or superior value, if the faulty product is delivered to Audio-Technica Ltd., prepaid, together with the proof of purchase.

Prior approval from Audio-Technica Ltd. is required for return. This warranty excludes defects due to normal wear, abuse, shipping damage, or failure to use product in accordance with instructions. This warranty is void in the event of unauthorized repair or modification.

For return approval and shipping information, contact the Service Department,

Audio-Technica Ltd. Tel: +44 (0)113 277 1441.

Outside the U.K, please contact your local dealer for warranty details.

Visitez notre site internet : www.audio-technica.com

Garantie limitée de deux ans

Les produits Audio-Technica achetés au Royaume-Uni et dans l'UE/en Europe sont garantis sans défauts matériels ni de fabrication pendant deux ans à compter de l'achat par Audio-Technica Ltd. Dans l'éventualité d'un tel défaut, le produit sera rapidement réparé ou, si vous le désirez, remplacé par un nouveau produit de valeur équivalente ou supérieure à condition que ledit produit défectueux soit retourné, prépayé, à Audio-Technica Ltd. accompagné de sa preuve d'achat.

L'accord préalable d'Audio-Technica Ltd. est nécessaire pour tout renvoi. Sont exclus de cette garantie les défauts dus à l'usure normale du produit, à un usage abusif, à des dommages survenus durant le transport ou à une utilisation non conforme aux indications du présent mode d'emploi. La présente garantie est caduque en cas de réparation ou de modification non autorisée.

Afin d'obtenir l'accord pour un renvoi ou des informations sur le transport, veuillez contacter le service clientèle d'Audio-Technica Ltd.

Tél : +44 (0)113 277 1441.

Excepté au Royaume-Uni, veuillez contacter votre distributeur local pour connaître les détails de la garantie.

Besuchen Sie unsere Website: www.audio-technica.com

Zweijährige beschränkte Garantie

Audio-Technica Ltd. garantiert für jedes in Großbritannien und der EU / Europa erworbene Produkt von Audio-Technica ab Kaufdatum zwei Jahre lang, dass es frei von Material- und Verarbeitungsfehlern ist. Im Falle eines solchen Fehlers wird das Produkt umgehend gebührenfrei repariert oder, nach unserer Wahl, durch ein neues Produkt gleichen oder höheren Werts ersetzt, wenn das fehlerhafte Produkt zusammen mit dem Kaufbeleg und vorausbezahlt an Audio-Technica Ltd. geschickt wird.

Für Rücksendungen ist die vorherige Zustimmung von Audio-Technica Ltd. erforderlich. Von dieser Garantie ausgeschlossen sind Fehler, die durch normale Abnutzung, unsachgemäße Behandlung, beim Versand entstandene Schäden oder Benutzung entgegen den Gebrauchsanweisungen entstanden sind. Diese Garantie gilt nicht im Falle des unbefugten Versuchs, das Gerät zu reparieren oder zu modifizieren.

Kontaktieren Sie die Kundendienstabteilung für die Zustimmung zur Rücksendung und Versandinformationen,

Audio-Technica Ltd. Tel.: +44 (0)113 277 1441.

Kunden außerhalb Großbritanniens verweisen wir für Einzelheiten zur Garantie an ihren örtlichen Händler.

Visite nuestra página web: www.audio-technica.com

Dos años de garantía limitada

Los productos de Audio-Technica comprados en el Reino Unido y en la Unión Europea o en Europa cuentan con una garantía de dos años desde la fecha de compra por parte de Audio-Technica Ltd. que garantiza que están libres de defectos en cuanto a materiales y mano de obra. En caso de que exista algún defecto, el producto se reparará inmediatamente sin coste alguno o, a nuestra discreción, se sustituirá por uno nuevo de igual valor o superior si el producto defectuoso, pagado previamente, se envía a Audio-Technica Ltd. junto con la prueba de la compra.

Se requiere aprobación previa por parte de Audio-Technica Ltd. para la devolución. Esta garantía excluye defectos producidos por el desgaste normal, maltrato, daños durante el envío o en caso de no utilizar el producto de acuerdo con las instrucciones. Esta garantía queda anulada en caso de que se realice una reparación o modificación no autorizada.

Para obtener información sobre la aprobación de devolución y sobre el envío, póngase en contacto con el departamento de servicio de Audio-Technica Ltd. Tel.: +44 (0)113 277 1441.

Si se encuentra fuera del Reino Unido, póngase en contacto con su distribuidor local para obtener detalles sobre la garantía.

