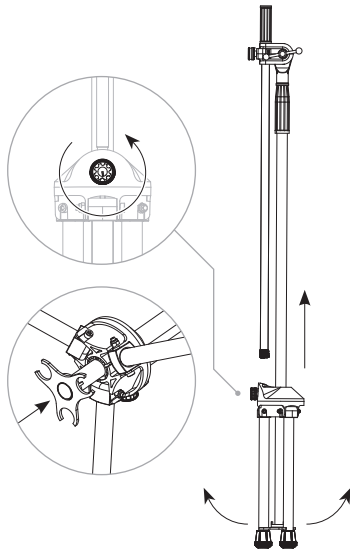


# Boom Mic Stand Setup Guide

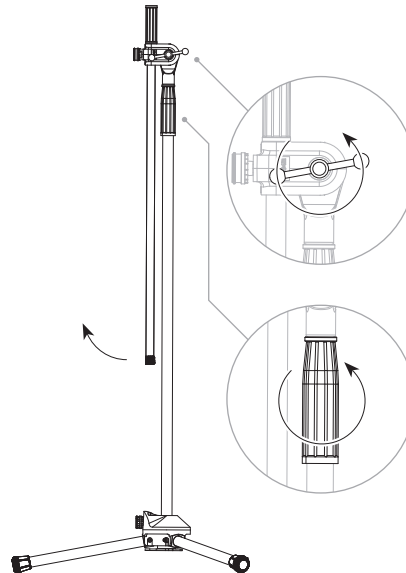
Thank you for purchasing the G-MS-B1 Boom Mic Stand. To get the most out of your product, please follow this guide carefully.

## STEP 1



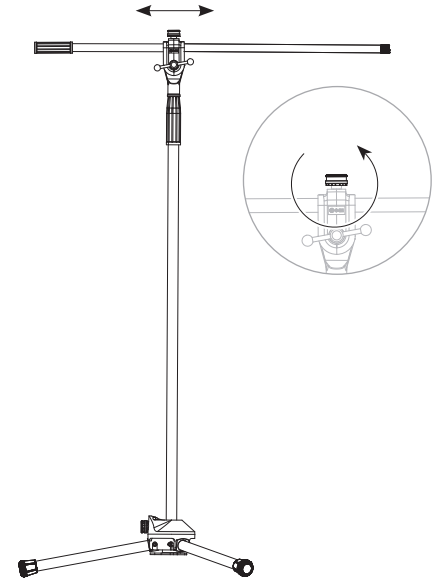
Loosen the knob and detach the legs from the leg clip. Move the three legs into the fully open position and lift the centre pole up. Re-tighten the knob and push the clip into the bottom of the base.

## STEP 2



Loosen the boom arm clutch and position the arm to desired angle. Re-tighten the boom arm clutch. Adjust the height to desired position using the central collar.

## STEP 3



Adjust the boom arm to desired position using the knob.