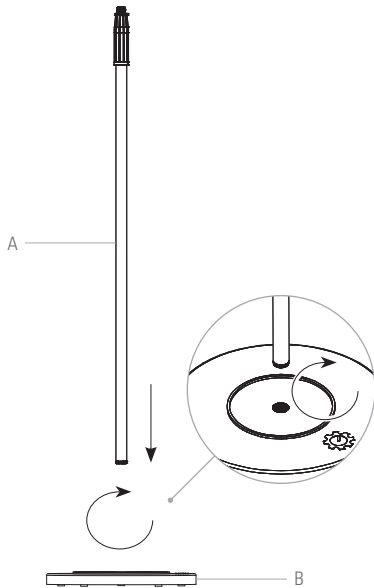


Goose Neck Mic Stand Setup Guide

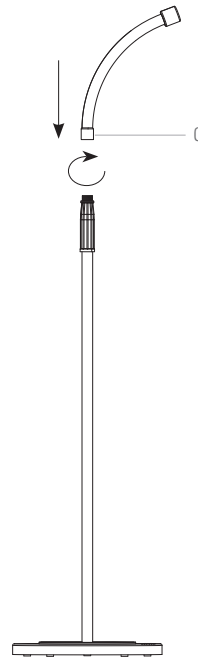
Thank you for purchasing the G-MS-G1C Goose Neck Mic Stand. To get the most out of your product, please follow this guide carefully.

STEP 1



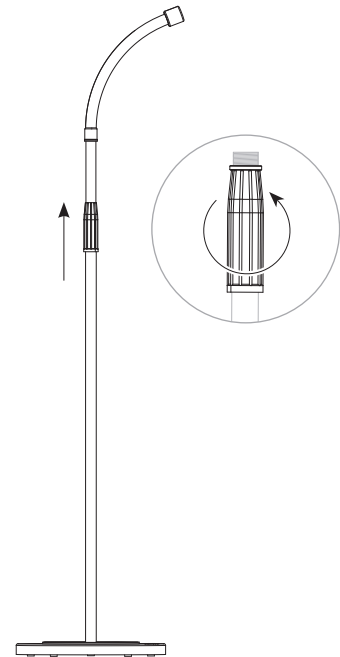
Attach the pole (A) to the base (B) and screw into place.

STEP 2



Attach the goose neck (C) to the pole (A) and screw into place.

STEP 3



Adjust the height to desired position using the central collar.