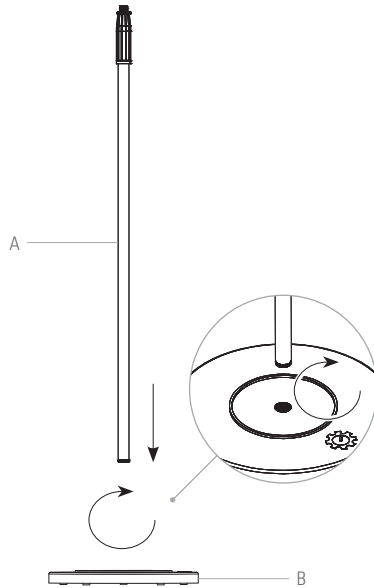


Mic Stand Setup Guide

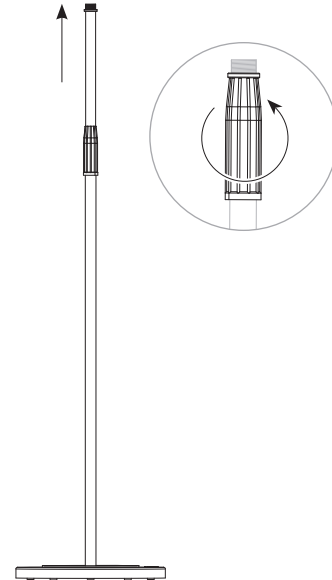
Thank you for purchasing the G-MS-S1C Mic Stand. To get the most out of your product, please follow this guide carefully.

STEP 1



Attach the pole (A) to the base (B) and screw to fix into place.

STEP 2



Adjust the height to desired position using the central collar.