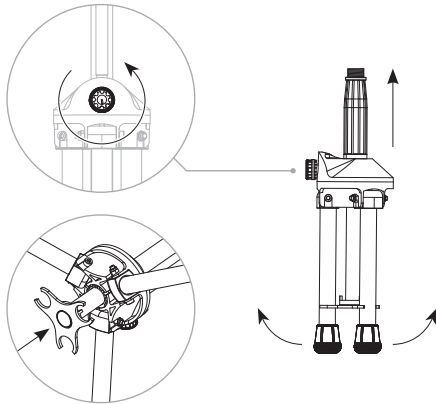


# Mic Stand Setup Guide

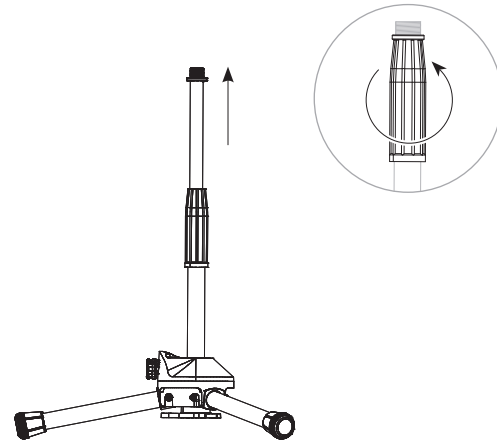
Thank you for purchasing the G-MS-SS1 Mic Stand. To get the most out of your product, please follow this guide carefully.

## STEP 1



Loosen the knob and detach the legs from the leg clip. Move the three legs into the fully open position and lift the centre pole up. Re-tighten the knob and push the clip into the bottom of the base.

## STEP 2



Adjust the height to desired position using the central collar.