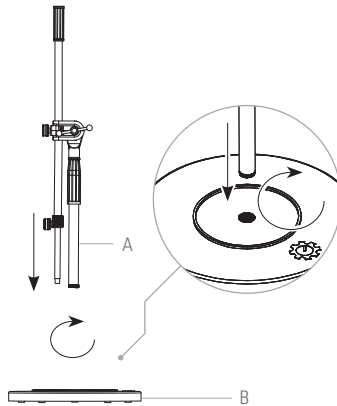


Mic Stand Setup Guide

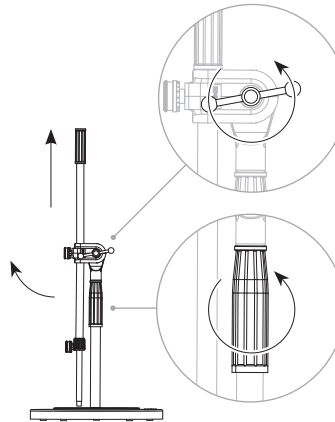
Thank you for purchasing the G-MS-ST1C Mic Stand. To get the most out of your product, please follow this guide carefully.

STEP 1



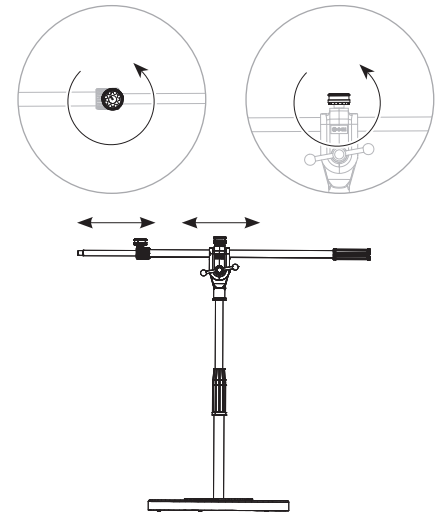
Attach the pole (A) to the base (B) and screw to fix into place.

STEP 2



Loosen the boom arm clutch and position the arm to desired angle. Re-tighten the boom arm clutch. Adjust the height to desired position using the central collar.

STEP 3



Adjust the boom arm to desired position using the two knobs.