



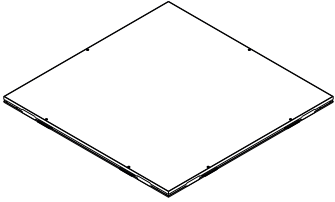



# PORTABLE DANCE FLOOR

EXAMPLE SETUP GUIDE

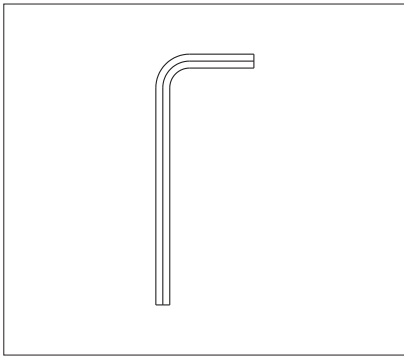
---

# COMPONENTS

Here is an example contents list, including component parts of the Gear4music Portable Dance Floor range.

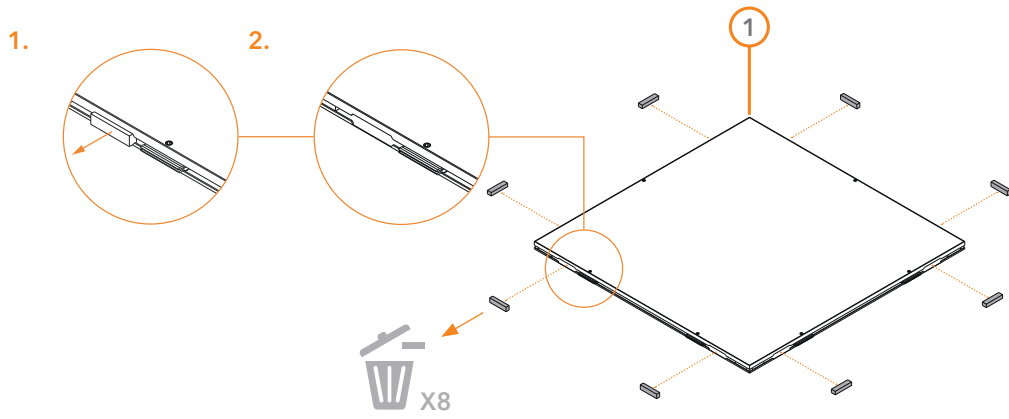
<p>①</p>  <p>DANCE FLOOR PLATFORM</p>	<p>②</p>  <p>RIGHT CORNER EDGE PIECE</p>	<p>③</p>  <p>STRAIGHT EDGE PIECE</p>
<p>④</p>  <p>LEFT CORNER EDGE PIECE</p>		

## TOOLS REQUIRED



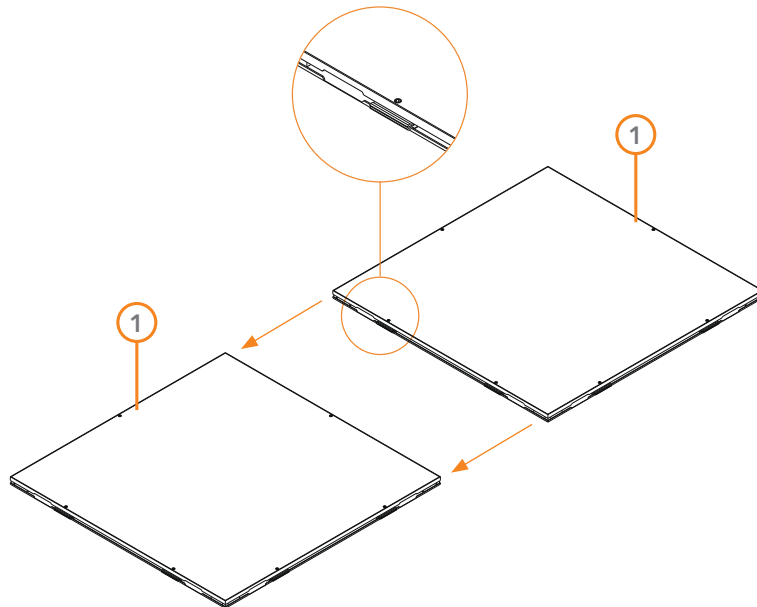
---

# 1



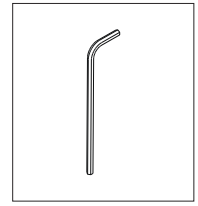
---

# 2

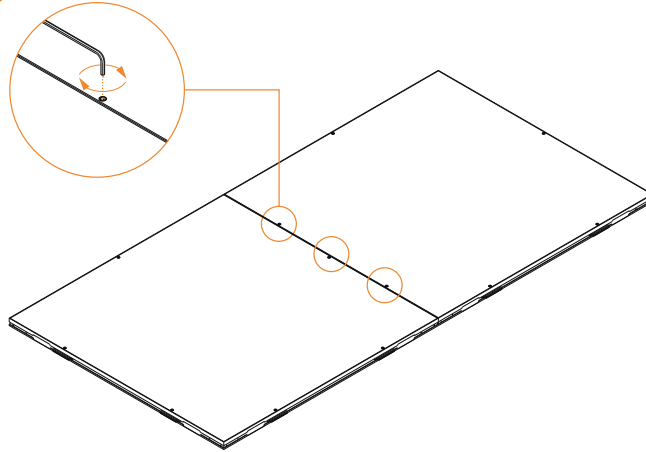


---

**3**

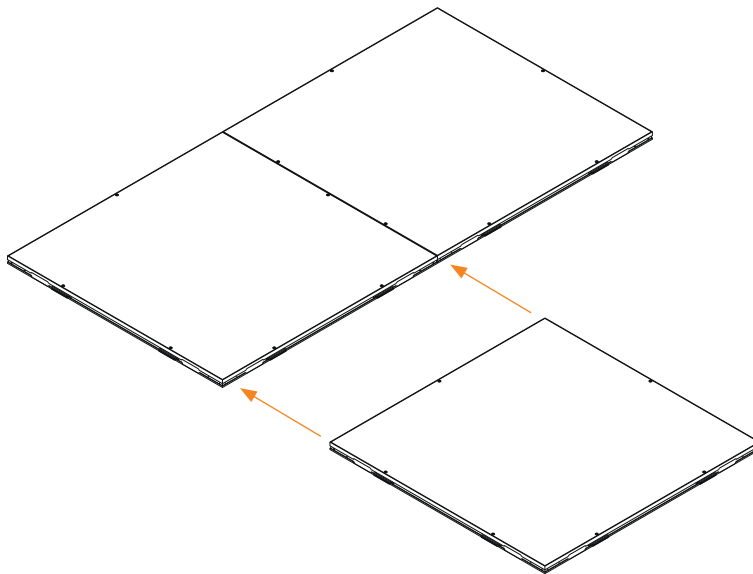


X3



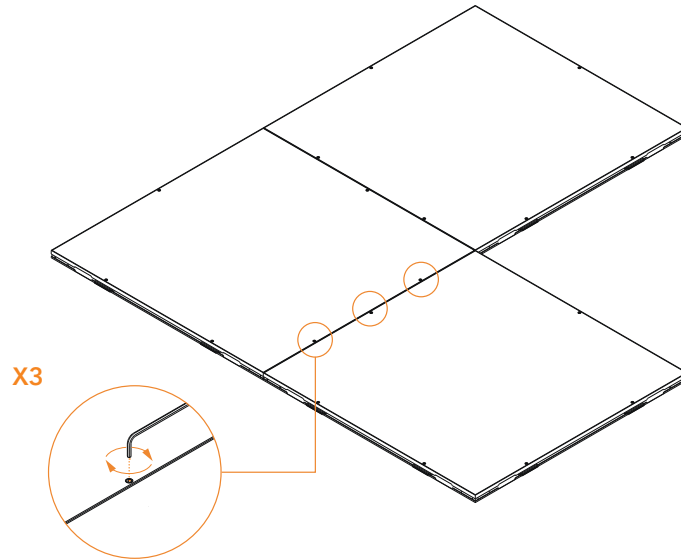
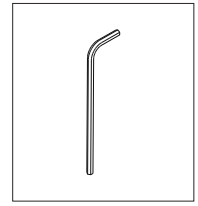
---

**4**



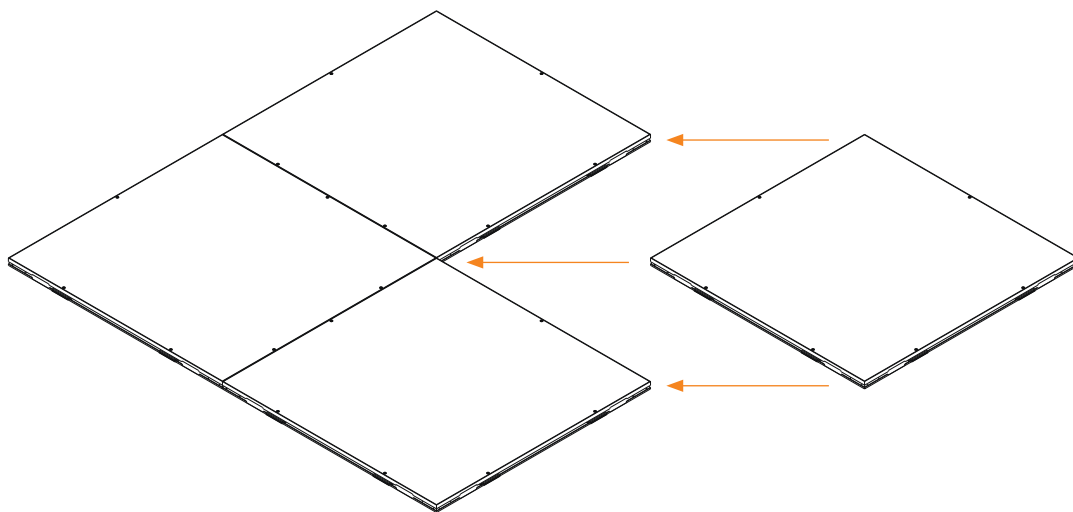
---

**5**



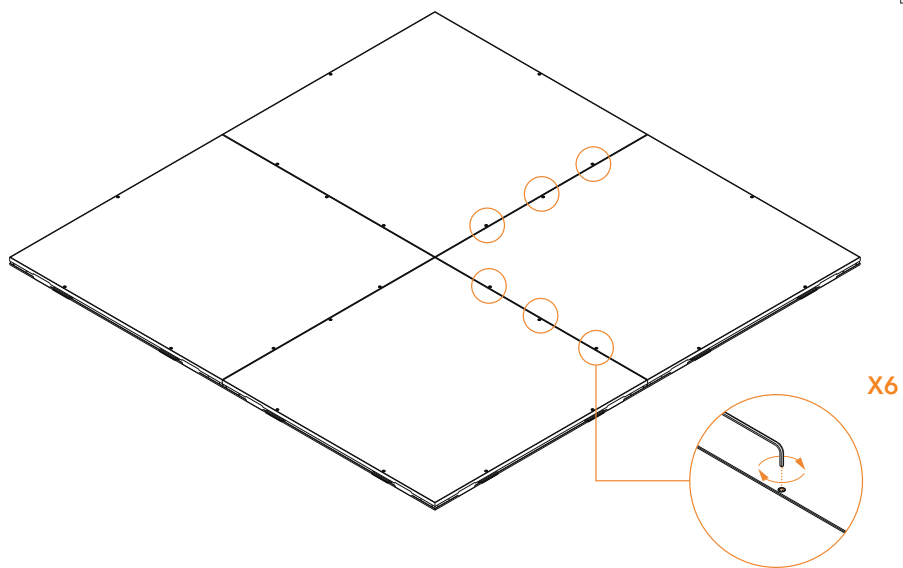
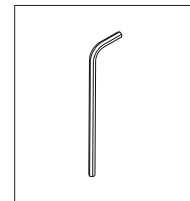
---

**6**



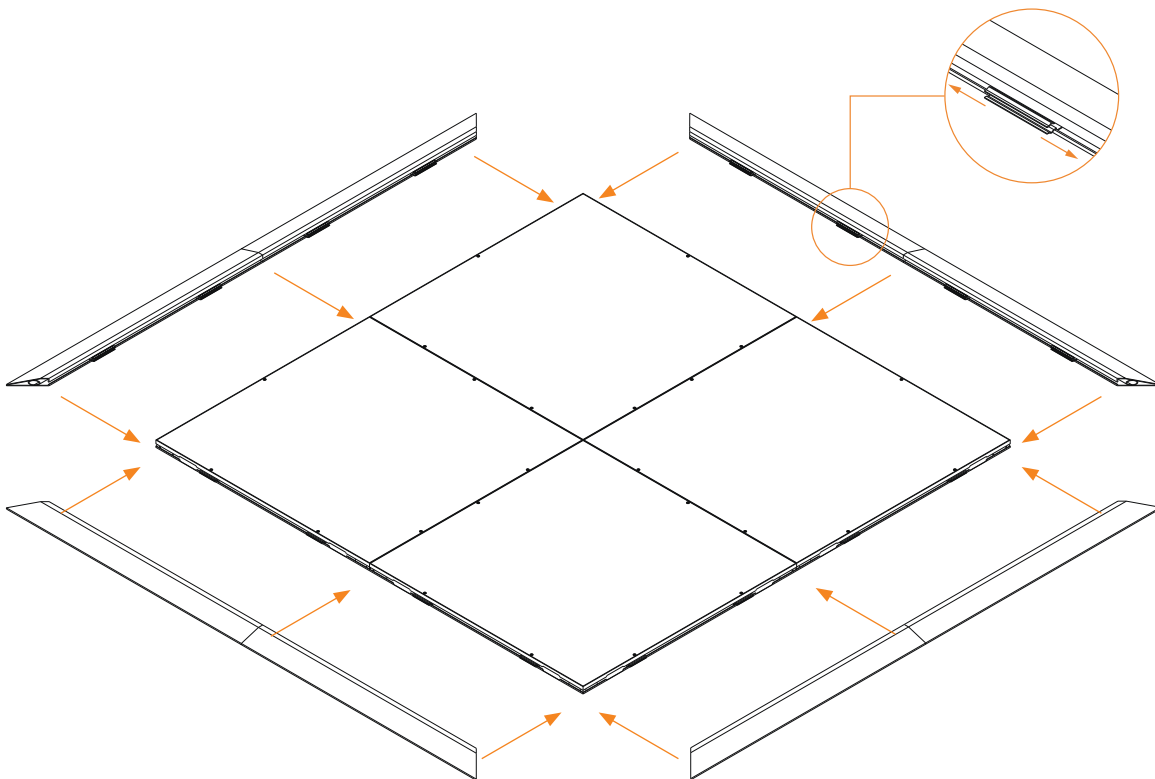
---

7



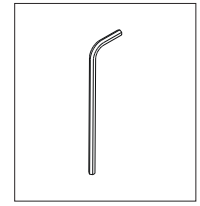
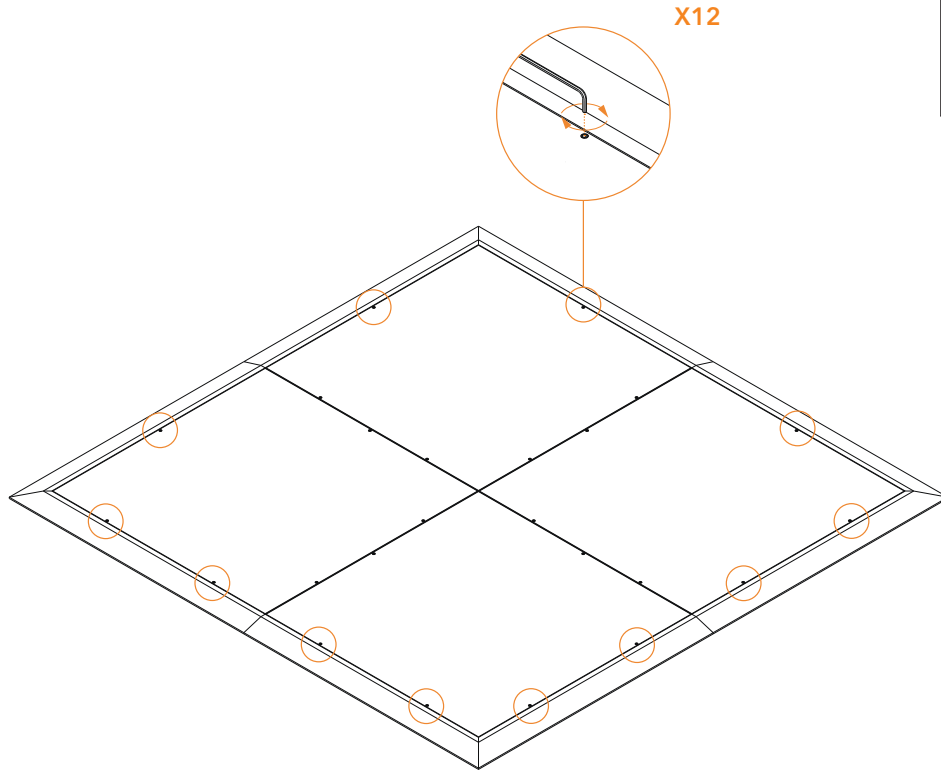
---

8



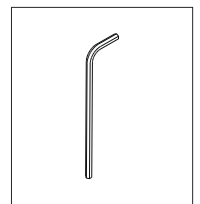
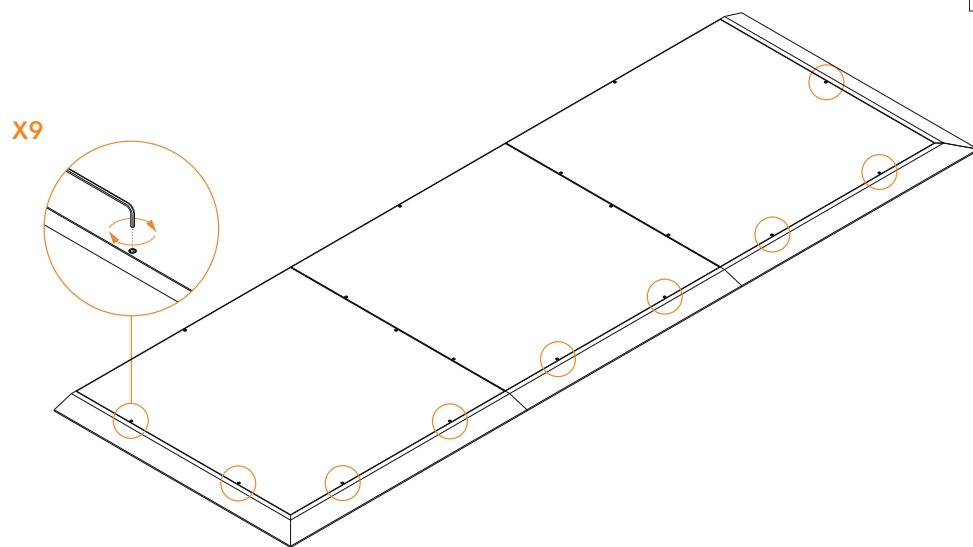
---

## 9.1



---

## 9.2



**WWW.GEAR4MUSIC.COM**

KETTLESTRING LANE | YORK | YO30 4XF | UNITED KINGDOM  
LAHNSTRASSE 27 | 45478 MÜLHEIM AN DER RUHR | DEUTSCHLAND

If you have any more questions about this product, please do not hesitate to contact the Gear4music Customer Service Team on: **+44 (0) 330 365 4444** or **info@gear4music.com**