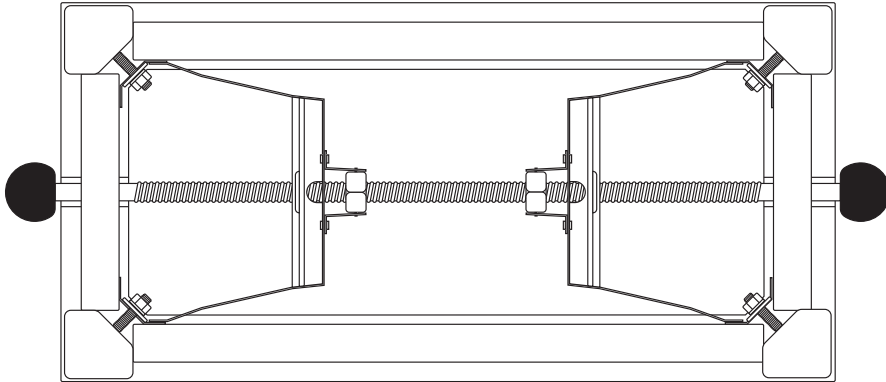


4



PIANO STOOL

PB-40 / PB-50 / PB-60 / PB-70 / PB-80

5



NOTE: Product shown is PB-40, other models may vary

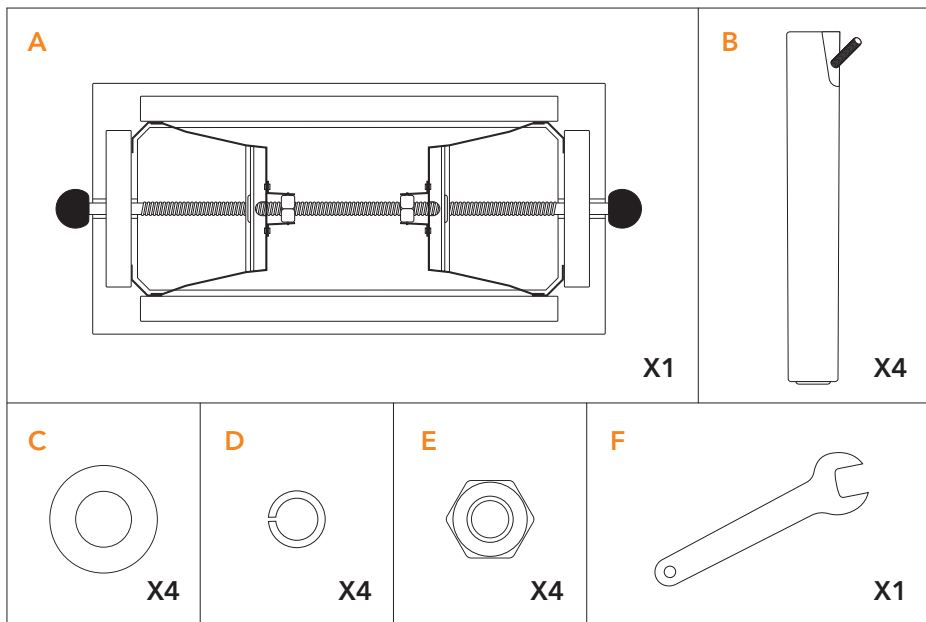
KETTLESTRING LANE | YORK | YO30 4XF | UNITED KINGDOM
METALLVÄGEN 45A | 195 72 ROSERSBERG | STOCKHOLM | SVERIGE
LAHNSTRASSE 27 | 45478 MÜLHEIM AN DER RUHR | DEUTSCHLAND

If you have any more questions about this product, please do not hesitate to contact the Gear4music Customer Service Team on: **+44 (0) 330 365 4444** or **info@gear4music.com**

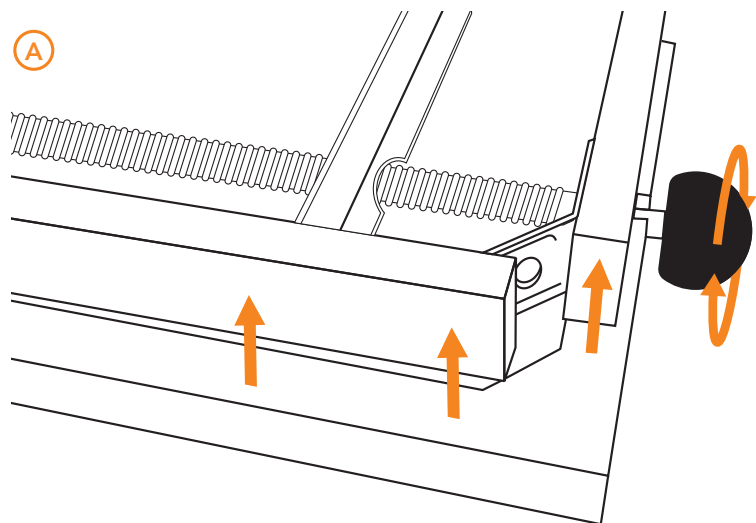
ASSEMBLY GUIDE

CONTENTS CHECKLIST

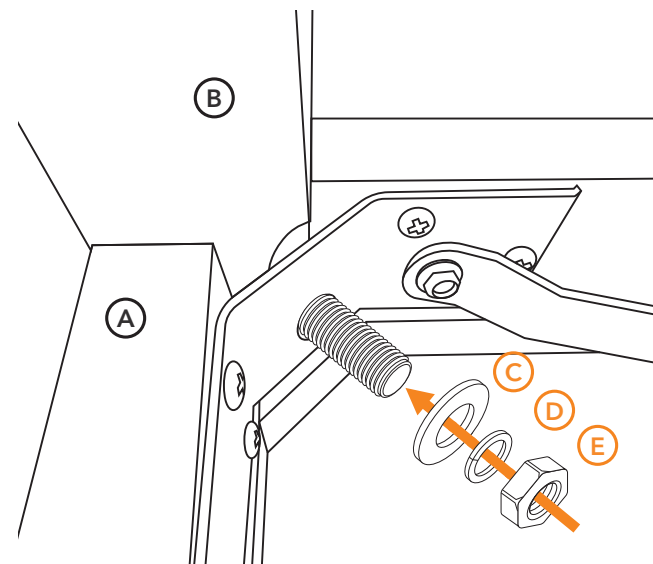
First, check the contents of the package and make sure you have everything you need to complete the assembly of this product.



1

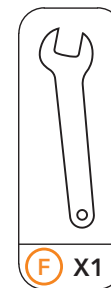
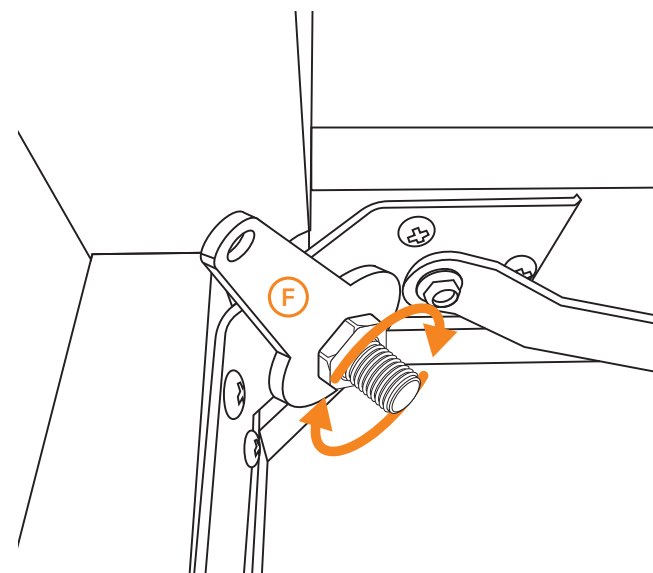


2



X4

3



X4