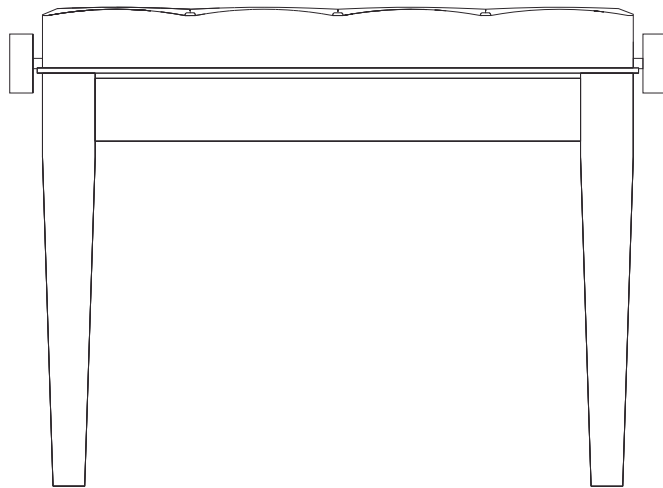
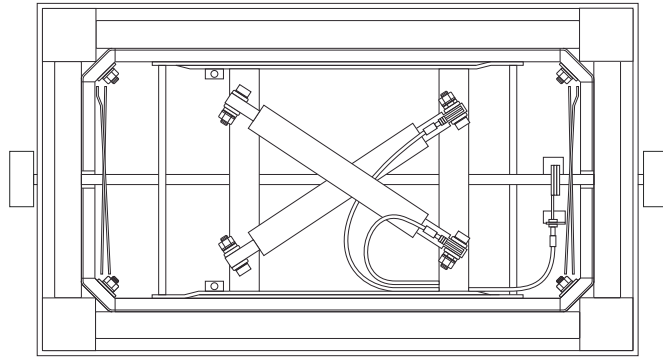


4



PIANO STOOL

PBH-50-GB

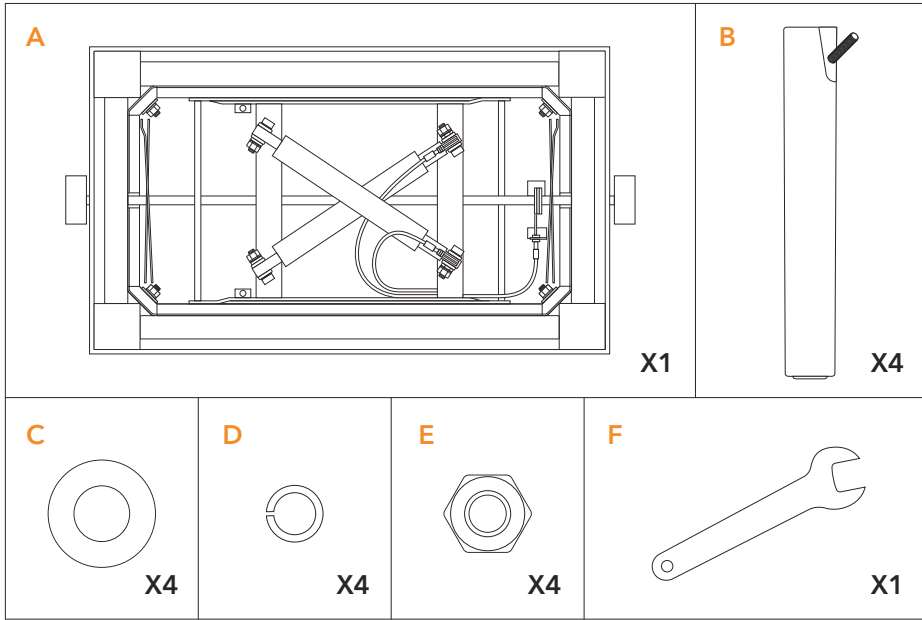
SETUP GUIDE

KETTLESTRING LANE | YORK | YO30 4XF | UNITED KINGDOM
LAHNSTRASSE 27 | 45478 MÜLHEIM AN DER RUHR | DEUTSCHLAND

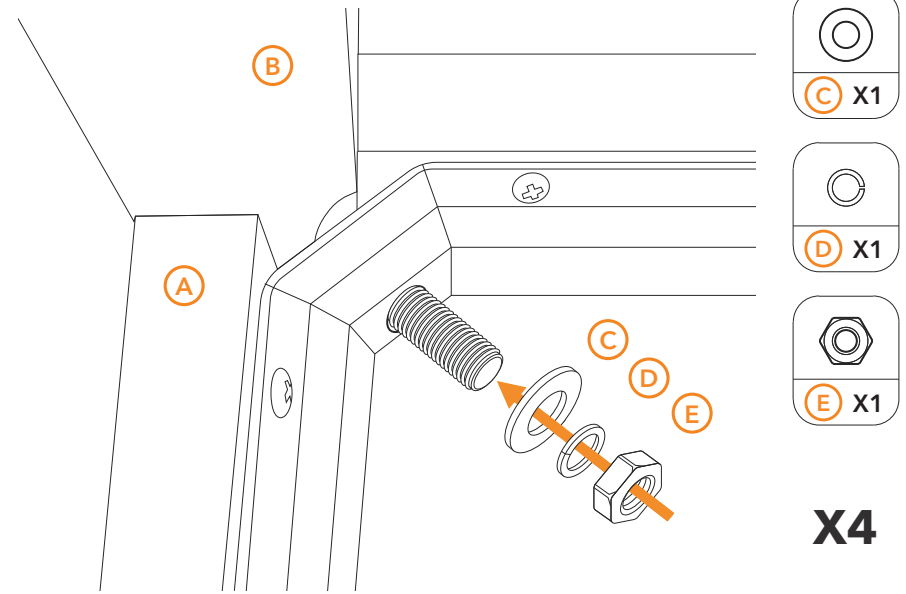
If you have any more questions about this product, please do not hesitate to contact the Gear4music Customer Service Team on: **+44 (0) 330 365 4444** or info@gear4music.com

CONTENTS CHECKLIST

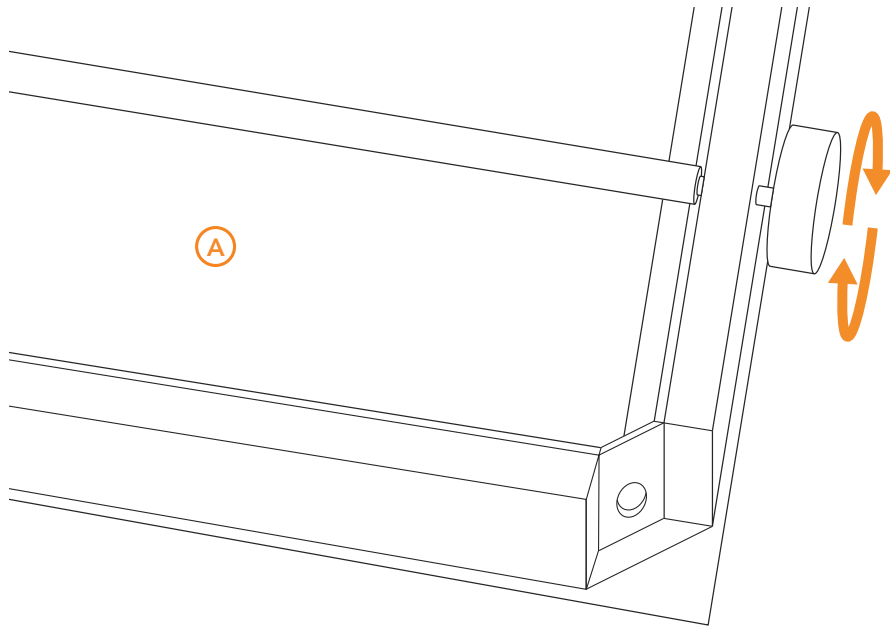
First, check the contents of the package and make sure you have everything you need to complete the assembly of this product.



2



1



3

