



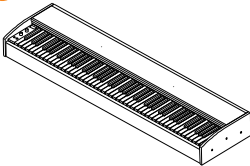
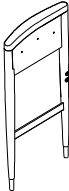
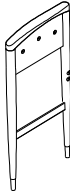
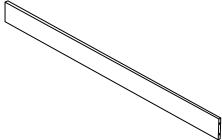
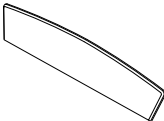
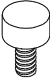


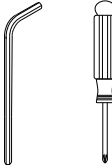
# CONTEMPORARY DIGITAL PIANO

KEYNOTE

SETUP GUIDE

# CONTENT CHECKLIST

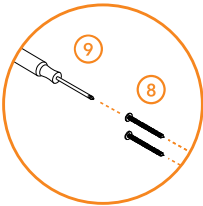
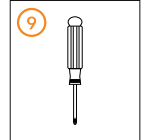
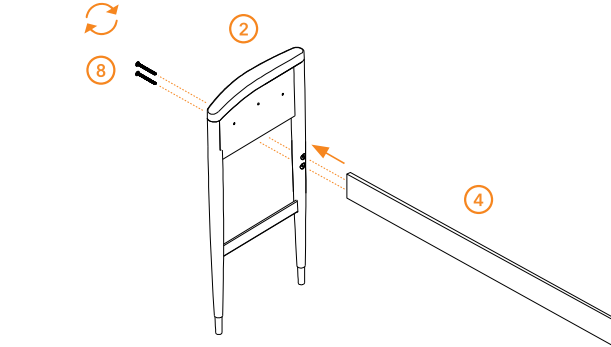
First, check the contents of the package and make sure you have everything you need.

<p>①</p>  <p>Keybed</p>	<p>②</p>  <p>Left Leg Panel</p>	<p>③</p>  <p>Right Leg Panel</p>
<p>④</p>  <p>Back Plate</p>	<p>⑤</p>  <p>Music Rest</p>	<p>⑥</p>  <p>Music Rest Screws M6 X 12mm X2</p>
<p>⑦</p>  <p>Upper Leg Screws M6 X 22mm X6</p>	<p>⑧</p>  <p>Back Plate Screws M6 X 50mm X4</p>	<p>⑨</p>  <p>Tools</p>

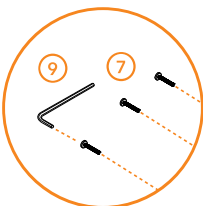
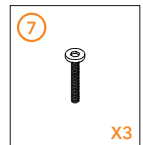
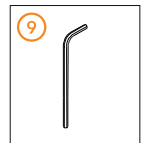
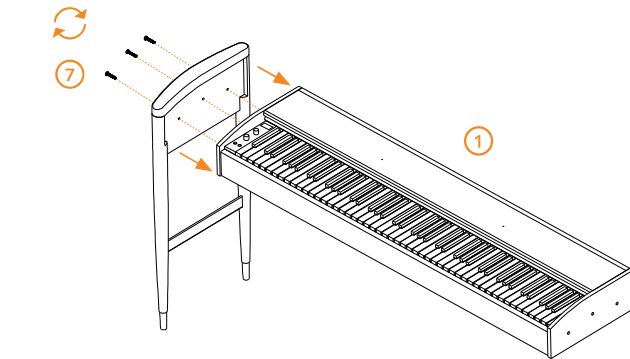
## MEASURING GUIDE



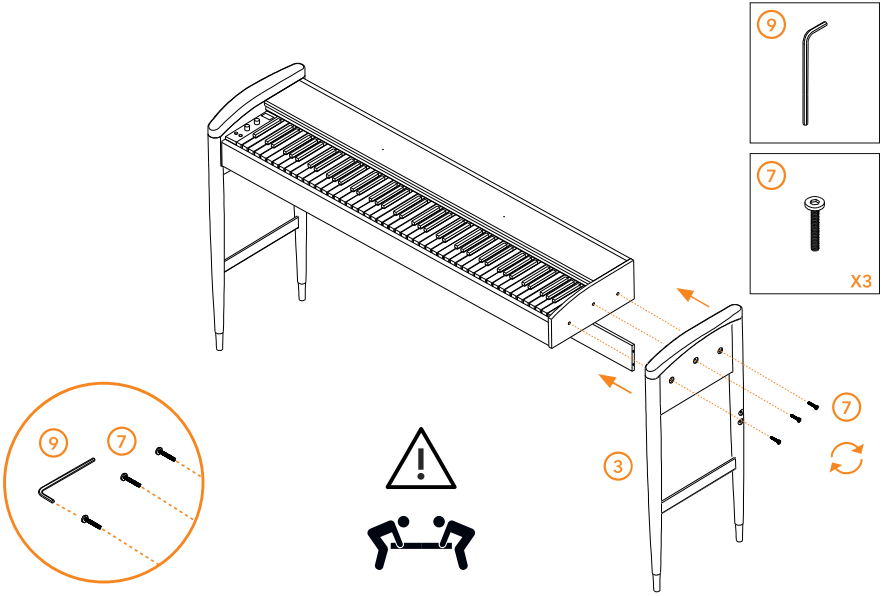
1



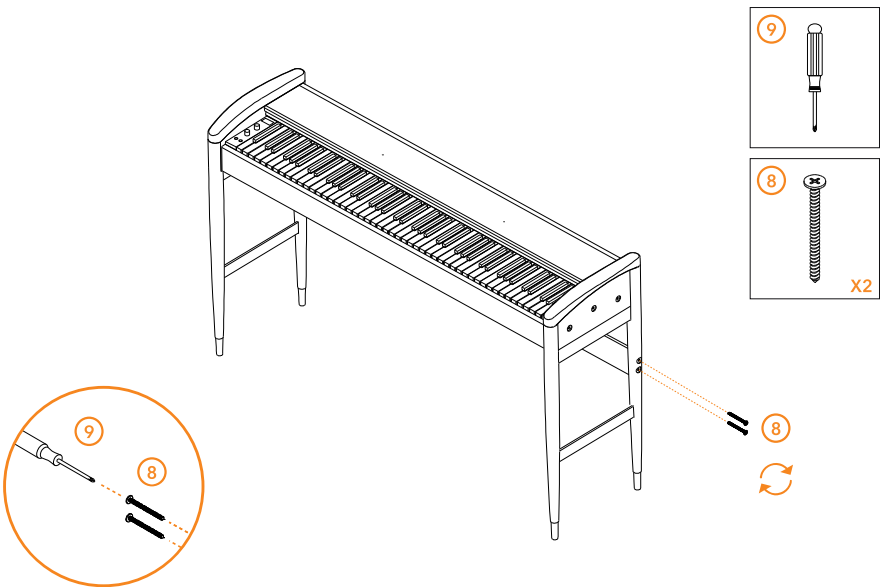
2



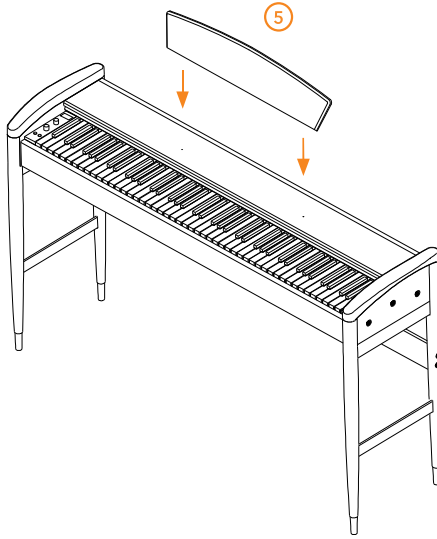
3



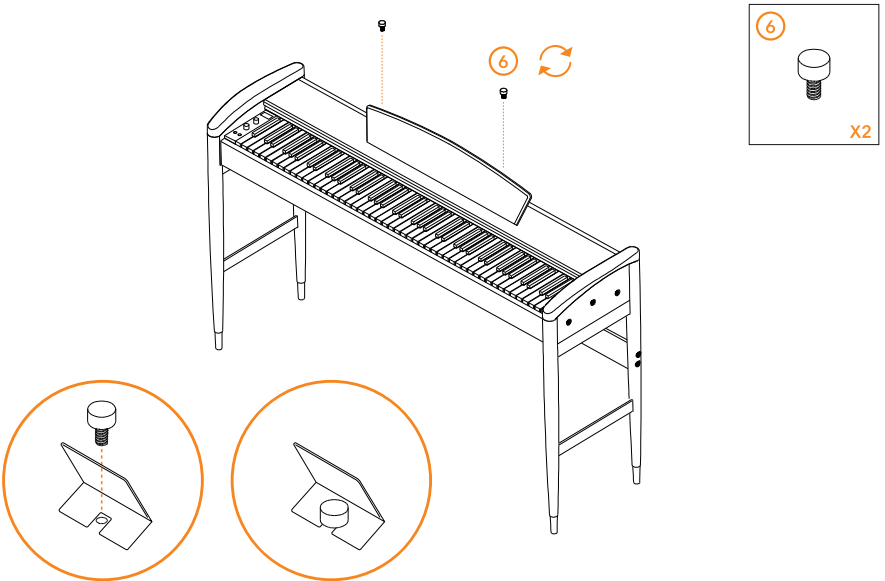
4



5

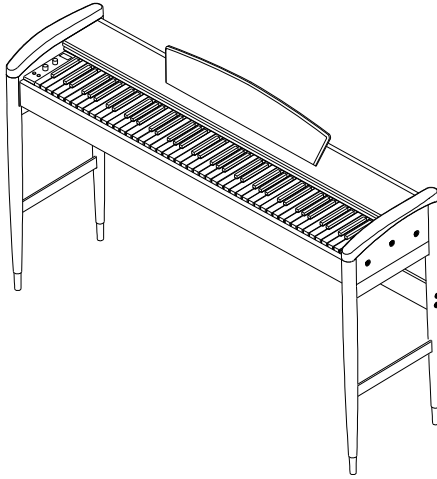


6



---

7





KETTLESTRING LANE | YORK | YO30 4XF | UNITED KINGDOM  
LAHNSTRAÙE 27 | 45478 MÜLHEIM AN DER RUHR | DEUTSCHLAND  
[WWW.GEAR4MUSIC.COM](http://WWW.GEAR4MUSIC.COM)

If you have any more questions about this product, please do not hesitate to contact the Gear4music Customer Service Team on: **+44 (0) 330 365 4444** or [info@gear4music.com](mailto:info@gear4music.com)