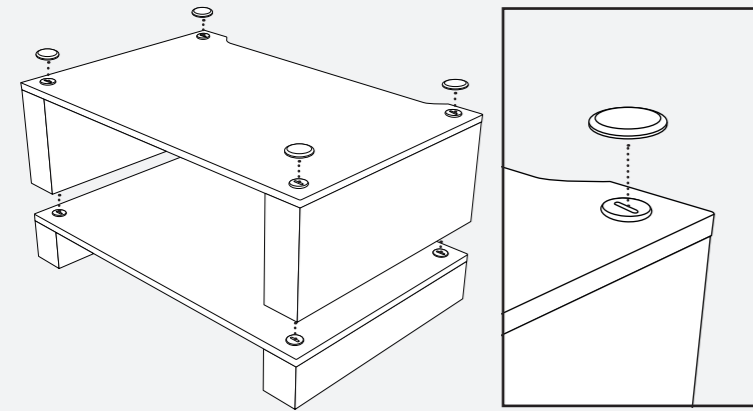
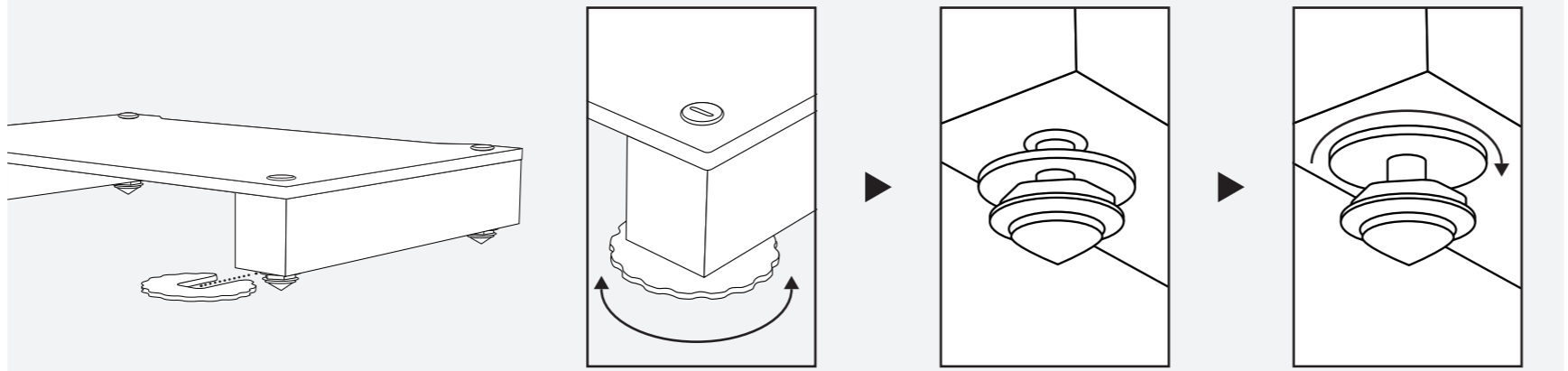


Stacking Stax 2G Shelves



Adjusting Stax 2G Base Feet



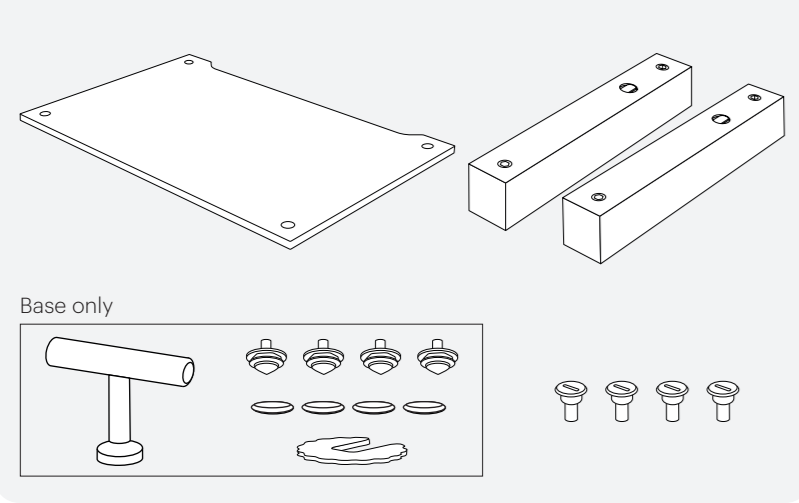
Read the full manual and watch set-up videos at blokdirect.com/support



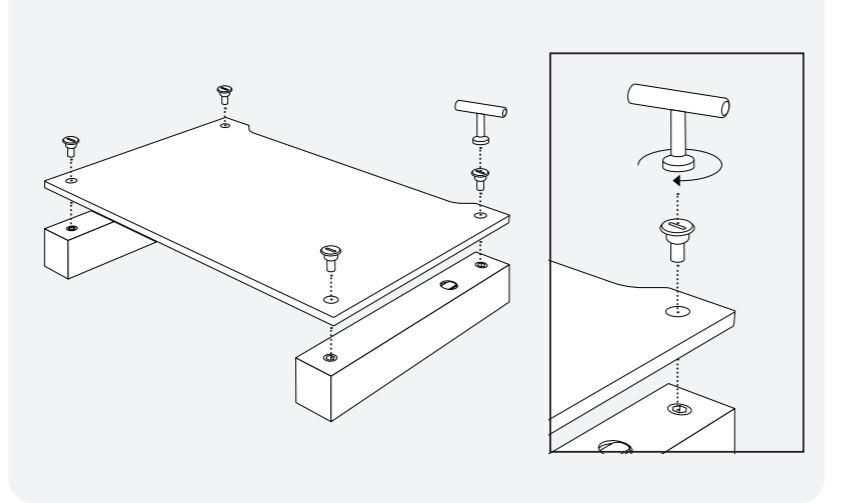
Building your Stax 2G Hi-Fi Rack

BLOK

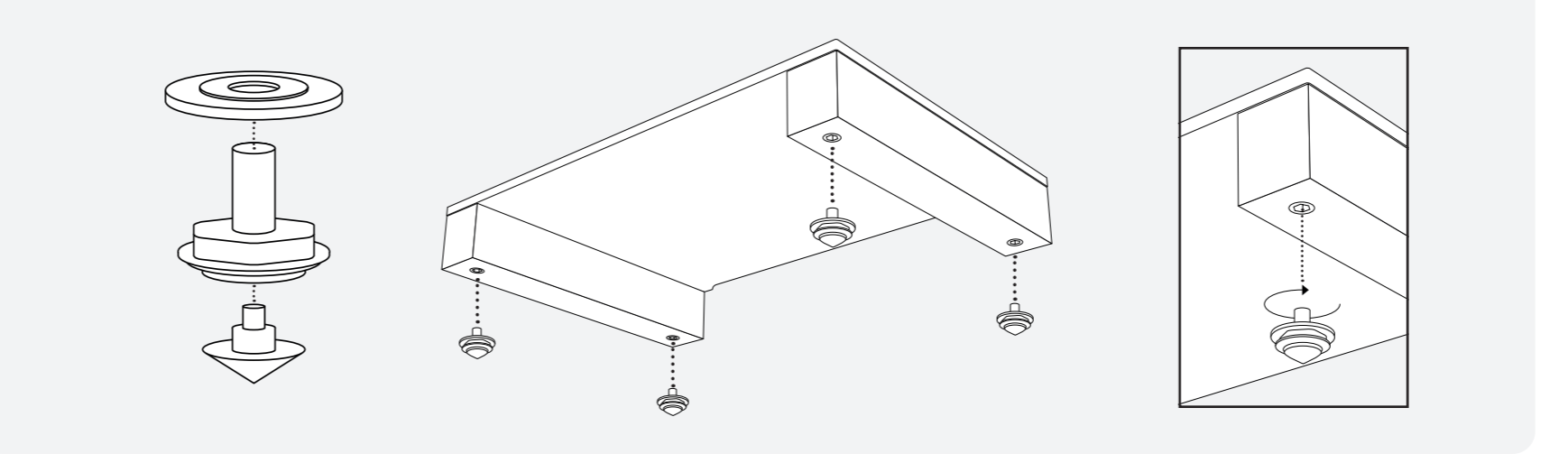
Unboxing



Building Stax 2G Shelf Base



Attaching Feet to Stax 2G Shelf Base



Building Stax 2G Shelf 120, 170, 220 & LP

