

# DL Series Lightning Dock Replacement Instructions

---

## ! IMPORTANT!

The contents of this service kit allow the dock assembly in the DL806 or DL1608 mixer to be replaced with a Lightning dock assembly for use with an iPad with Lightning connector.

It is strongly recommended that this kit be installed only by authorized Mackie service centers. Within the US and Canada, please visit [www.mackie.com/support](http://www.mackie.com/support) to locate the nearest authorized service center. For all other countries, please contact your distributor for service center details.

If you wish to install this kit yourself, please first read these instructions carefully to ensure you feel capable of completing the described tasks. Failure to follow the exact instructions in this document may result in personal injury or damage to the DL806, DL1608, iPad, or contents of the kit and may **void the warranty**, as well. Again, we strongly advise having an authorized service center perform this replacement.

Web: <http://www.mackie.com/support>

Email: [techmail@loudtechinc.com](mailto:techmail@loudtechinc.com)

Phone: 425-487-4333

Toll-free: 800-898-3211

---

## Parts

DL Lightning Dock Service Kit Contents – Part No. 2042300:

Lightning iPad Dock Assembly – Part No. 2037888

Dock Connector Cover – Part No. 2042399

This instruction sheet – Part No. 2042317

## Tools

Required Tools (not included):

#1 Phillips screwdriver [with a 3"+ driver]

Rubbing Alcohol

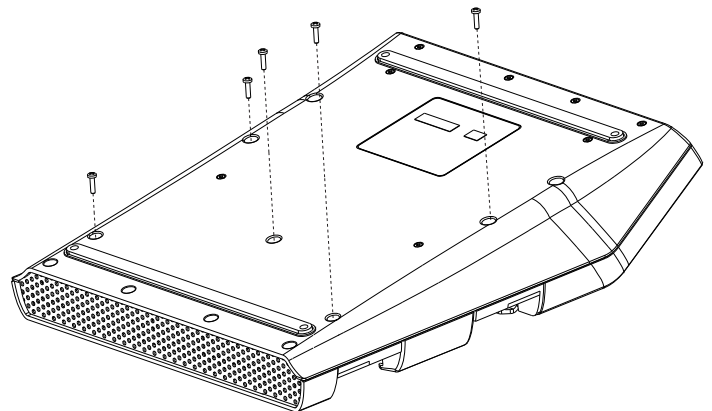
Small, flat Jeweler's file

## Lightning Dock Replacement

1. Before doing anything else, make sure that the latest version of Master Fader [v1.4.2 or later] is downloaded and installed on the iPad and that the mixer's firmware has been updated, as well. With the iPad docked, check the version by going to Tools > Help in Master Fader.

2. Turn off the mixer, remove the iPad and disconnect the external power supply.

3. Flip the mixer over onto a soft, dry surface. Using the #1 Phillips screwdriver, remove the five screws from the bottom of the DL mixer, as shown below. Store these five screws in a safe place, as they will be necessary when reattaching the bottom.



4. Now turn the mixer back over so you're looking at the top again. Carefully lift (but do not remove) the entire iPad tray assembly from the mixer. Here's how:

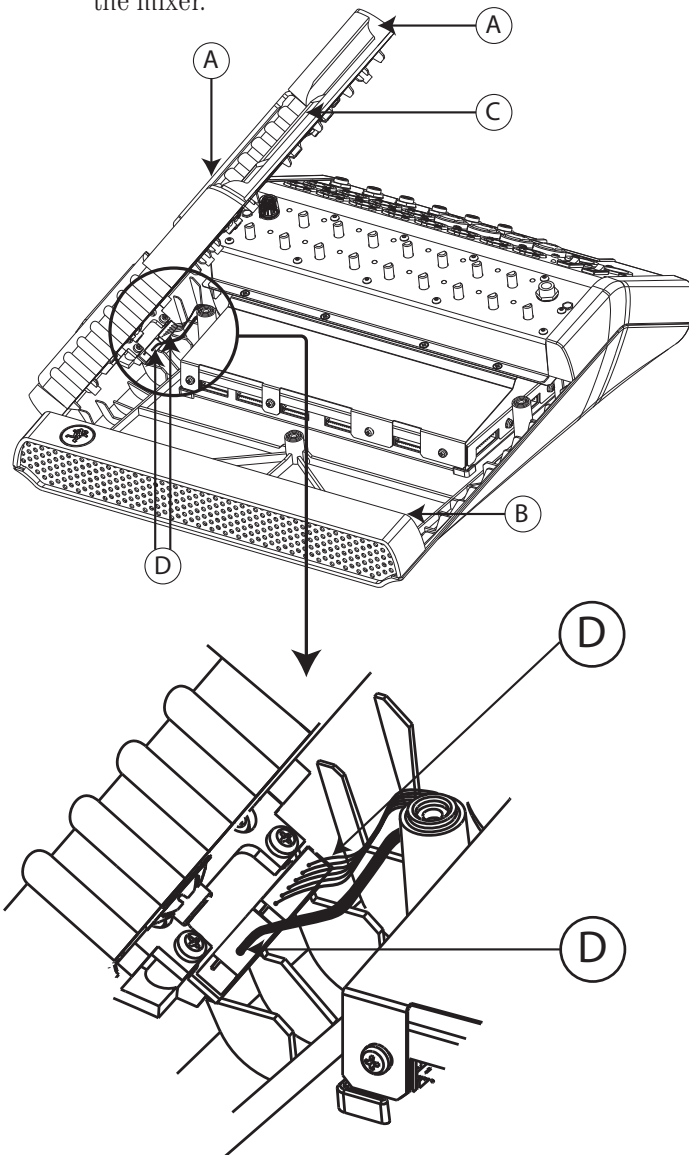
A. Using your index fingers, pinch the top left and top right side of the tray assembly. Wiggle the top of the tray assembly back and forth while lifting it up towards you. Just lift it up an inch, or so.

B. The front of the tray assembly is held in place underneath the lip of the armrest. Free the tray assembly from the armrest by moving the tray assembly slowly towards the gain knobs until it is released [approx. 1/4" / 6.4 mm].

C. Once free, lift the right side of the tray assembly as seen in the illustrations below.

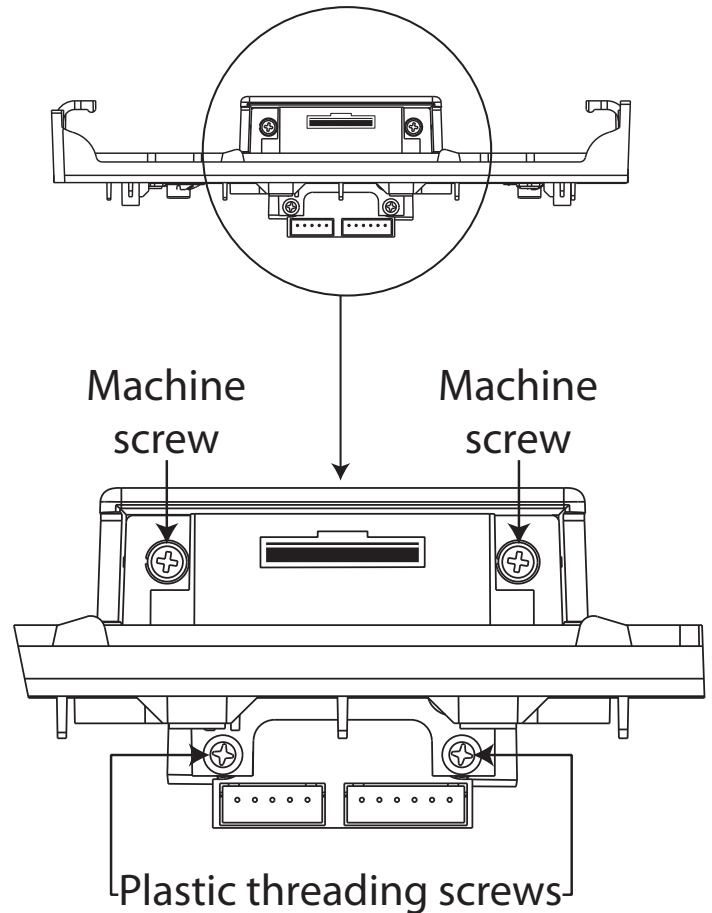
D. There are two cables attached to the iPad dock connector. Carefully remove both cables, one at a time. Do not yank on the cable itself! Instead, grasp at the end of the cable where it connects to the iPad dock connector and pull straight back.

E. The tray assembly may now be removed from the mixer.

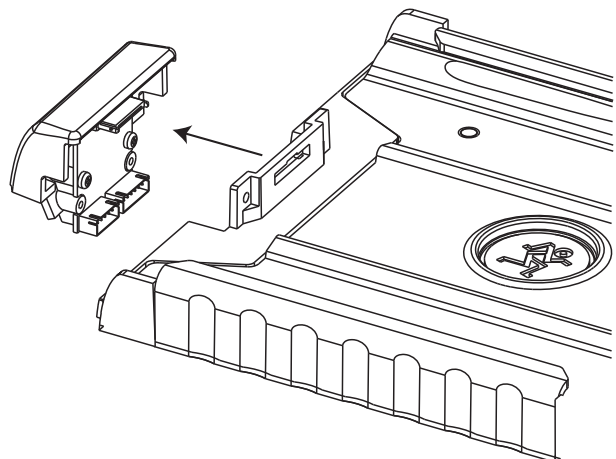


5. At this point, your goal is to remove the current iPad dock assembly from the tray assembly and replace it with the Lightning iPad dock assembly included with this kit.

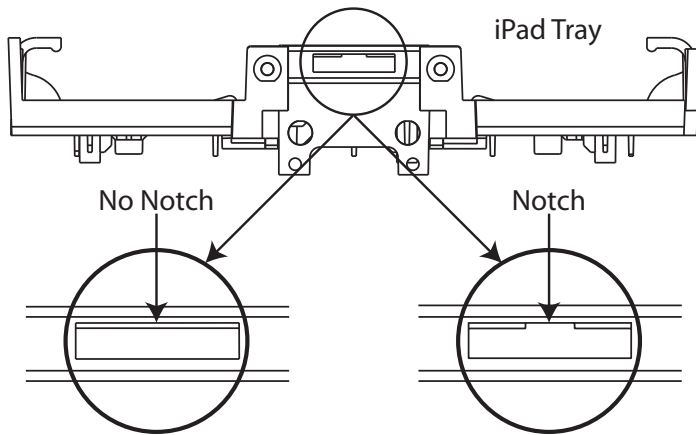
Simply remove the four screws as shown below, but **NOTE** that the screws are different. The two screws on top (near the iPad dock connector) are machine screws, while the two screws on the bottom (just above the cable assembly receptacles) are plastic threading screws. You will be using these screws again, so be sure to remember which ones go where by keeping them separate.



6. Remove the iPad dock assembly from the tray assembly. Be sure to store the old dock assembly, as you may decide to use it again one day.

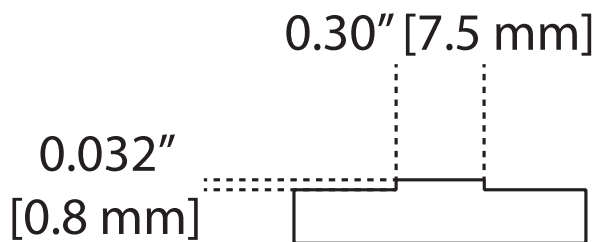


7. It's almost time to install the new Lightning iPad dock assembly. First determine whether your iPad tray has a notch or not by reviewing the illustrations below. If yours does not have a notch, continue on to step 8. If it does have a notch, jump forward to step 9.



8. Your tray does not have a notch, but that's ok. You can make one by following the steps listed below. The notch is for clearing room for the connector to fit, so neatness of the slot is not overly critical. You cannot hurt the function of the part by oversizing the notch slightly. Additionally, the notch will be covered, hiding any blemishes.

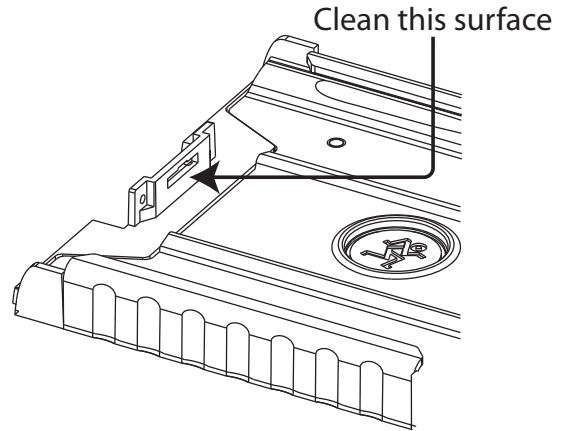
A. Using the small, flat jeweler's file, create a notch by shaving off some of the plastic in the top center of the connector slot. Simply apply a little pressure while moving the file back and forth; 8-15 strokes should work, depending upon the amount of pressure applied. For those looking to create the perfect-sized notch, the height of the notch is 0.032" [0.8 mm] and the width is 0.30" [7.5 mm].



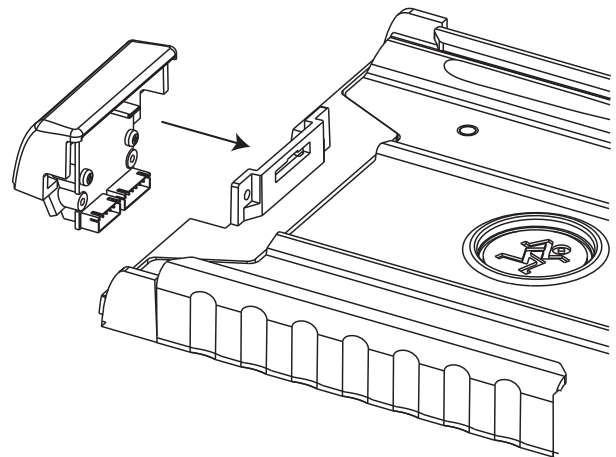
B. Verify the notch size by inserting the connector subassembly into the tray to be certain the notch is sized correctly. No plastic should touch the Lightning connector around the completed slot. Be sure there is no plastic protruding outward from the slot and that all burrs are removed.



9. Using a small amount of rubbing alcohol, clean the plastic surrounding the opening of the tray where the Lightning connector protrudes, as noted in the illustration below. Wait until completely dry before continuing.



10. Let's put it back together. Insert the new Lightning dock subassembly into the tray. Using the #1 Phillips screwdriver, secure the assembly to the tray assembly by reattaching the two machine screws and two plastic threading screws to the same places from where they were removed in step 5.

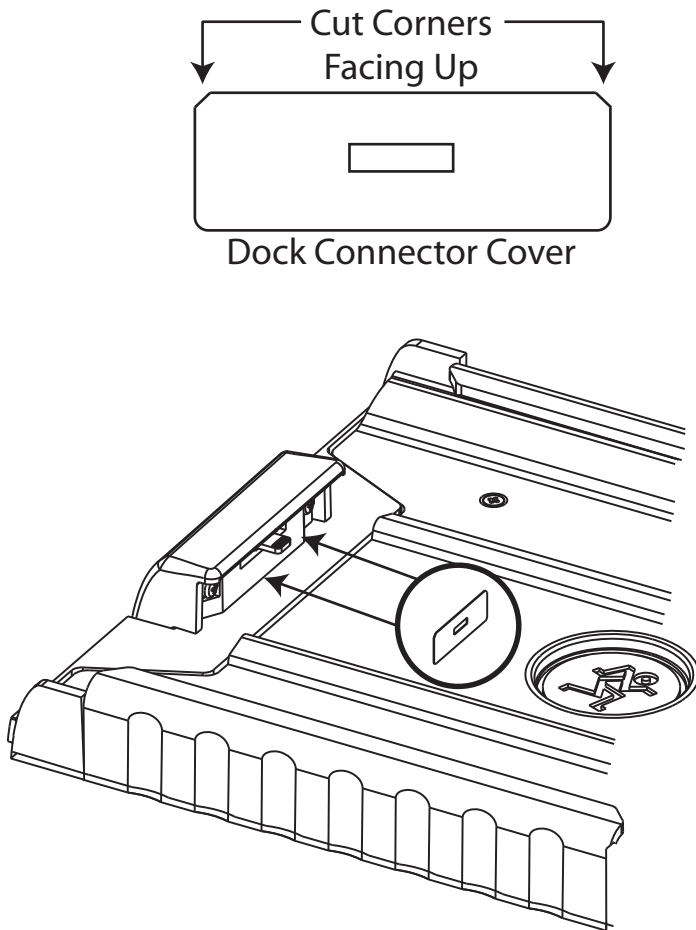


11. Now let's check your work. Slide the iPad down the tray until it mates with the dock connector and snaps into place, *but do not force it*. If it does not fit, continue on to step 12. If it is a great fit, jump forward to step 13.

12. If the iPad doesn't fit well, remove it. Next, loosen each of the four screws on the dock connector about 1/4 turn – not much! Now slide the iPad back down the tray insert; it should easily mate with the dock connector. With the iPad still docked, hand-tighten the two bottom screws. [The two top screws will not be visible with the iPad docked]. Finally, remove the iPad and hand-tighten the top two screws.

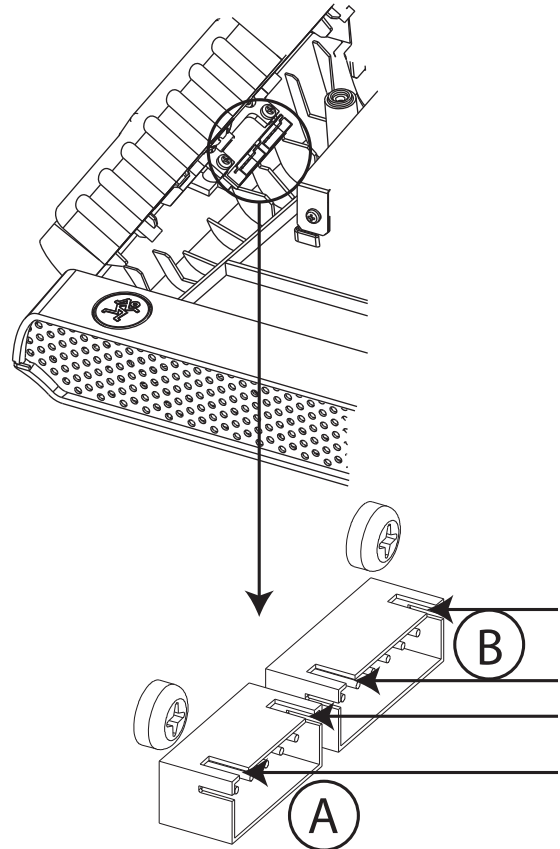
13. Now we can attach the dock connector cover. With the cut corners of the label facing up, peel away the adhesive backing and place the label over the Lightning connector and press it on to the tray assembly.

To help ensure a long-lasting adhesion, use a round-tipped, non-sharp object (such as the cap of a ballpoint pen) to rub around the outer edges – the area backed by plastic, approximately 2 mm – of the dock connector cover for approximately 20 seconds.



14. The hard part is done...let's finish it up! Place the entire tray assembly back into the mixer, making sure to first reattach the two cable assemblies that connect the iPad dock connector to the mixer.

Make certain that the notches on the cables line up with the notches on the connectors, as noted in the illustration below. Please note that the connector on the left (A) houses the round 5-pin shielded cable and the connector on the right (B) houses the flat 6-pin ribbon cable.



15. Holding the tray assembly to the mixer, turn the mixer over and reattach the five bottom screws.

16. Now turn the mixer back over so you're looking at the top again. Slide the iPad back down the tray insert and plug the mixer back in.

17. At this point it's a good idea to turn the mixer on and make sure everything works correctly.

18. That's it!