

TX12

600-WATT 12-INCH 2-WAY ACTIVE LOUDSPEAKER

- > 600 WATT PEAK POWER
- > DESIGNED AND TUNED IN THE USA
- > LIGHTWEIGHT 30.31 LBS / 13.75 KG

BUILT BY THE BEST

Alto Professional began a live sound revolution with the top-selling Truesonic loudspeaker series. Now, Alto Professional has refined those same innovative technologies to create the remarkable TX Series. The TX Series loudspeakers were designed with the same ideal of quality components, and transparent sound that the Truesonic loudspeaker series have become known for.

BIG SOUND, PORTABLE PACKAGE

Experience power, performance, and portability. TX12 comes equipped with efficient, bi-amped Class D amplification that pumps out a generous 600 Watts of peak power. An exacting electronic crossover ensures smooth frequency response from the 12" low-frequency driver and 1" high-frequency compression driver. Bass porting offers extended low-end response, while the steel grille adds extra protection.

READY FOR ANYTHING

Built to travel, the road-ready TX12 is both lightweight and portable. Trapezoid contouring allows either upright or wedge-monitor operation. A pole-mount socket and a comfortable handle are built-in. Create a custom setup using the Link output to chain multiple cabinets together. For the musician, DJ, or live-sound provider craving professional audio reproduction, TX12 delivers impressive, accurate sound night after night.



SPECIFICATIONS

System Type	2-Way Active Ported Speaker
Woofers	12" Woofer, 2" voice coil
HF Driver	1" Neodymium HF Compression Driver with 1" Voice Coil
Amplifier	Class D SMPS, 600 Watts Peak
Horn Coverage H° x V°	90°H x 45°V
Frequency Response(-3dB)	70 Hz - 20 KHz
Crossover Frequency	2.5 KHz
Max SPL	116 dB at 1m
Connector	Mic/Line In - XLR 1/4" combo Link - XLR
External Controls	Mic/Line input sensitivity, Volume / Contour / Ground-Lift / Power ON with green LED / Clip Limiter with Red LED
Electronic Protection	Thermal/Overload/Analog limiter/Compressor
Power Supply	100V-240V ~ 50/60Hz
Enclosure Construction	Plastic cabinet, Trapezoidal & Monitor shape, Metal grille, rubber feet, 2 handles (sides)
Mounting	36mm standard pole mount
Dimensions (HxWxD)	23.9" x 14.9" x 13.2" / 607 x 380 x 337mm
Net Weight	30.31 lbs / 13.75kg

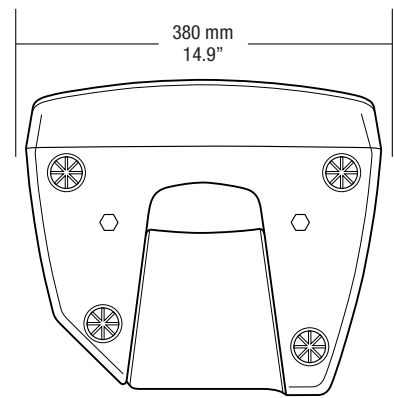
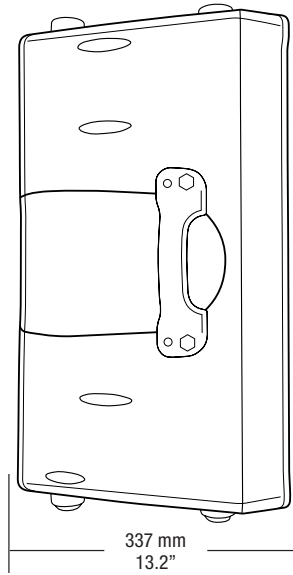
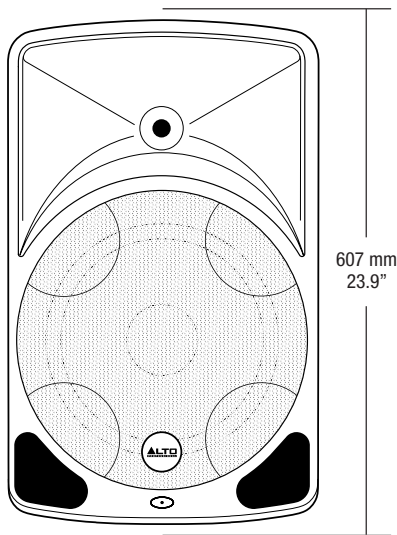
APPLICATIONS

Small/Mid-sized PA systems
Gymnasiums, fitness centers, and dance studios
Houses of worship
Bars, restaurants, clubs
Mobile DJ systems
Special events, presentations, and weddings

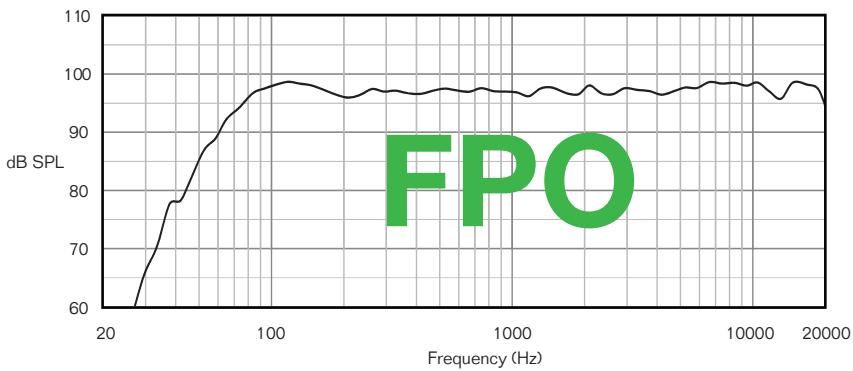
FEATURES

600 Watts peak / 300 Watts continuous power
Efficient Class-D power amp, bi-amplified
12" LF woofer with 2" voice coil
1" neodymium HF compression driver with 1" voice coil
Balanced XLR 1/4" Mic/Line Input and XLR Link Output
Precision electronic crossover
Onboard Contour control
Integrated analog limiter and overload protection circuitry
Lightweight, portable design
Integrated 36mm speaker pole socket
Main or wedge monitor operation
Designed and tuned in the USA

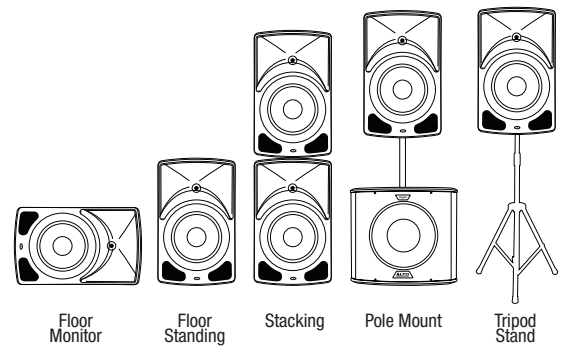
DIMENSIONS



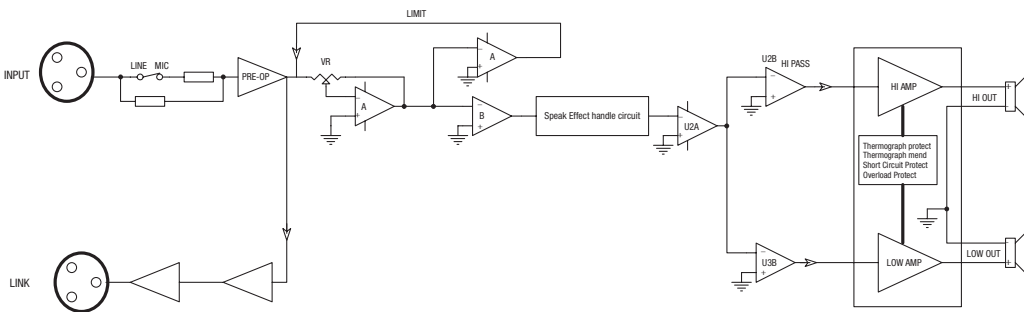
ON AXIS FREQUENCY RESPONSE



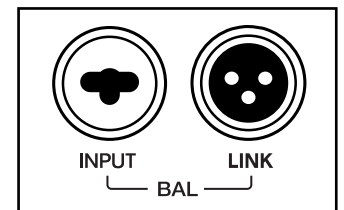
CONFIGURATIONS



BLOCK DIAGRAM



CONNECTORS



TX12

altoprofessional.com