

# TX10

## 280-WATT 10-INCH 2-WAY ACTIVE LOUDSPEAKER

- > 280 WATT PEAK POWER
- > DESIGNED AND TUNED IN THE USA
- > LIGHTWEIGHT 15.26 LBS / 6.92 KG

### BUILT BY THE BEST

Alto Professional began a live sound revolution with the top-selling Truesonic loudspeaker series. Now, Alto Professional has refined those same innovative technologies to create the remarkable TX Series. The TX Series loudspeakers were designed with the same ideal of quality components, and transparent sound that the Truesonic loudspeaker series have become known for.

### BIG SOUND, PORTABLE PACKAGE

Experience power, performance, and portability. TX10 comes equipped with efficient, bi-amped Class D amplification that pumps out a generous 280 Watts of peak power. An exacting electronic crossover ensures smooth frequency response from the 10" low-frequency driver and 1" high-frequency compression driver. Bass porting offers extended low-end response, while the steel grille adds extra protection.

### READY FOR ANYTHING

Built to travel, the road-ready TX10 is both lightweight and portable. Trapezoid contouring allows either upright or wedge-monitor operation. A pole-mount socket and a comfortable handle are built-in. Create a custom setup using the Link output to chain multiple cabinets together. For the musician, DJ, or live-sound provider craving professional audio reproduction, TX10 delivers impressive, accurate sound night after night.



### SPECIFICATIONS

System Type	2-Way Active Ported Speaker
Woofer	10" Woofer, 1.5" voice coil
HF Driver	1" titanium diaphragm HF compression driver with 1" voice coil
Amplifier	Class D SMPS, 280 Watts Peak
Horn Coverage H° x V°	90°H x 45°V
Frequency Response(-3dB)	75 Hz - 20 KHz
Crossover Frequency	2.5 KHz
Max SPL	116 dB at 1m
Connector	Mic/Line In & Link with XLR
External Controls	Volume Control / Power ON with green LED / Clip Limiter with Red LED
Electronic Protection	Thermal/Overload/Analog limiter/Compressor
Power Supply	100V-240V ~ 50/60Hz
Enclosure Construction	Plastic cabinet, Trapezoidal & Monitor shape, Metal grille, rubber feet, 1 handle (top)
Mounting	36mm standard pole mount
Dimensions (HxWxD)	18.1 x 11.2 x 10.4 in / 460 x 285 x 265 mm
Net Weight	15.26 lbs / 6.92kg

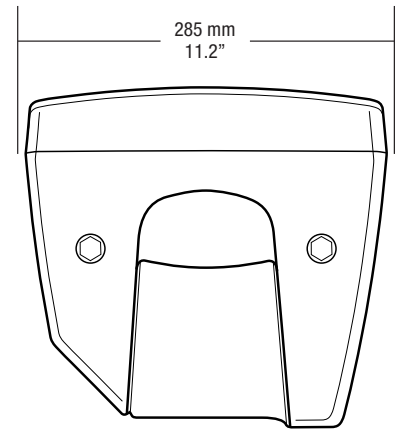
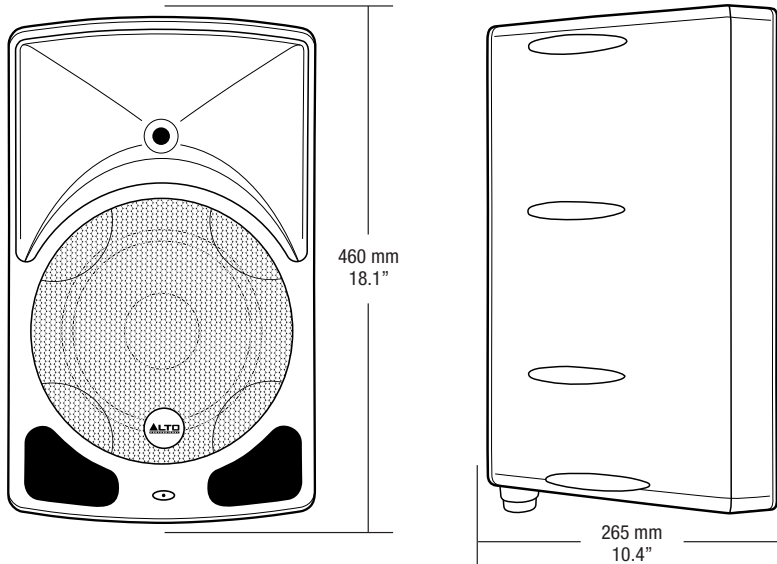
### APPLICATIONS

Small/Mid-sized PA systems  
Gymnasiums, fitness centers, and dance studios  
Houses of worship  
Bars, restaurants, clubs  
Mobile DJ systems  
Special events, presentations, and weddings

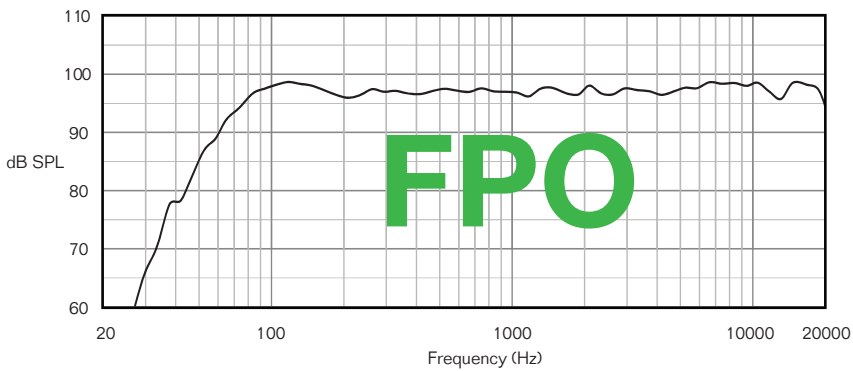
### FEATURES

280 Watts peak / 140 Watts continuous power  
Efficient Class-D power amp, bi-amplified  
10" LF woofer with 1.5" voice coil  
1" titanium diaphragm HF compression driver with 1" voice coil  
Balanced XLR Mic/Line Input and Link Output  
Precision electronic crossover  
Integrated analog limiter and overload protection circuitry  
Lightweight, portable design  
Integrated 36mm speaker pole socket  
Main or wedge monitor operation  
Designed and tuned in the USA

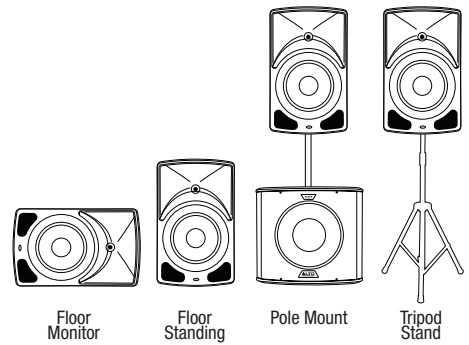
## DIMENSIONS



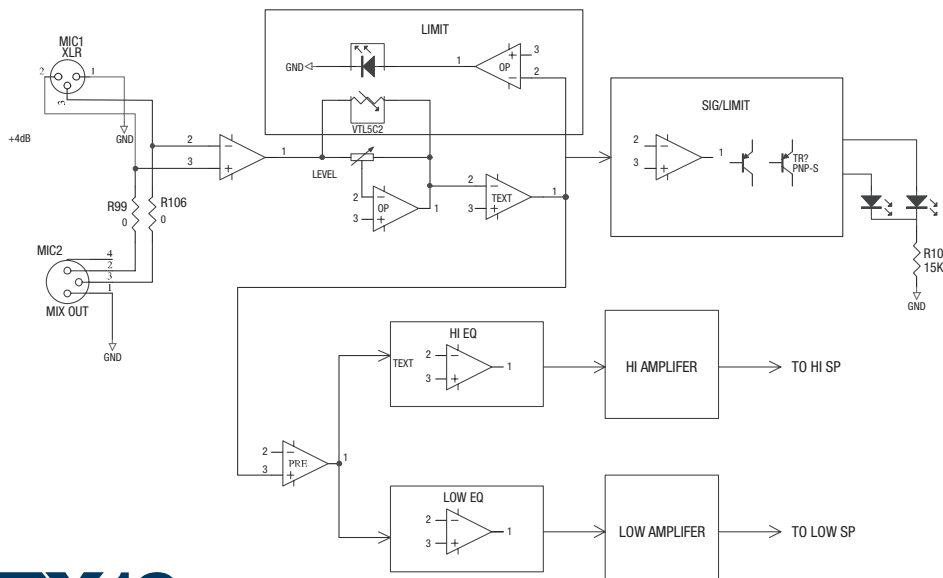
## ON AXIS FREQUENCY RESPONSE



## CONFIGURATIONS



## BLOCK DIAGRAM



## CONNECTORS

