

TX15

600-WATT 15-INCH 2-WAY ACTIVE LOUDSPEAKER

- > 600 WATT PEAK POWER
- > DESIGNED AND TUNED IN THE USA
- > LIGHTWEIGHT 32.8 LBS / 14.86 KG

BUILT BY THE BEST

Alto Professional began a live sound revolution with the top-selling Truesonic loudspeaker series. Now, Alto Professional has refined those same innovative technologies to create the remarkable TX Series. The TX Series loudspeakers were designed with the same ideal of quality components, and transparent sound that the Truesonic loudspeaker series have become known for.

BIG SOUND, PORTABLE PACKAGE

Experience power, performance, and portability. TX15 comes equipped with efficient, bi-amped Class D amplification that pumps out a generous 600 Watts of peak power. An exacting electronic crossover ensures smooth frequency response from the 15" low-frequency driver and 1" high-frequency compression driver. Bass porting offers extended low-end response, while the steel grille adds extra protection.

READY FOR ANYTHING

Built to travel, the road-ready TX15 is both lightweight and portable. Trapezoid contouring allows either upright or wedge-monitor operation. A pole-mount socket and a comfortable handle are built-in. Create a custom setup using the Link output to chain multiple cabinets together. For the musician, DJ, or live-sound provider craving professional audio reproduction, TX15 delivers impressive, accurate sound night after night.



SPECIFICATIONS

System Type	2-Way Active Ported Speaker
Woofers	15" Woofer, 2" voice coil
HF Driver	1" Neodymium HF Compression Driver with 1" Voice Coil
Amplifier	Class D SMPS, 600 Watts Peak
Horn Coverage H° x V°	90°H x 45°V
Frequency Response(-3dB)	65 Hz - 20 KHz
Crossover Frequency	2.2 KHz
Max SPL	119 dB at 1m
Connector	Mic/Line In - XLR 1/4" combo Link - XLR
External Controls	Mic/Line input sensitivity, Volume / Contour / Ground-Lift / Power ON with green LED / Clip Limiter with Red LED
Electronic Protection	Thermal/Overload/Analog limiter/Compressor
Power Supply	100V-240V ~ 50/60Hz
Enclosure Construction	Plastic cabinet, Trapezoidal & Monitor shape, Metal grille, rubber feet, 2 handles (sides)
Mounting	36mm standard pole mount
Dimensions (HxWxD)	24.6" x 15.1" x 14.4" / 625 x 386 x 366mm
Net Weight	14.86 kg / 32.8 lbs

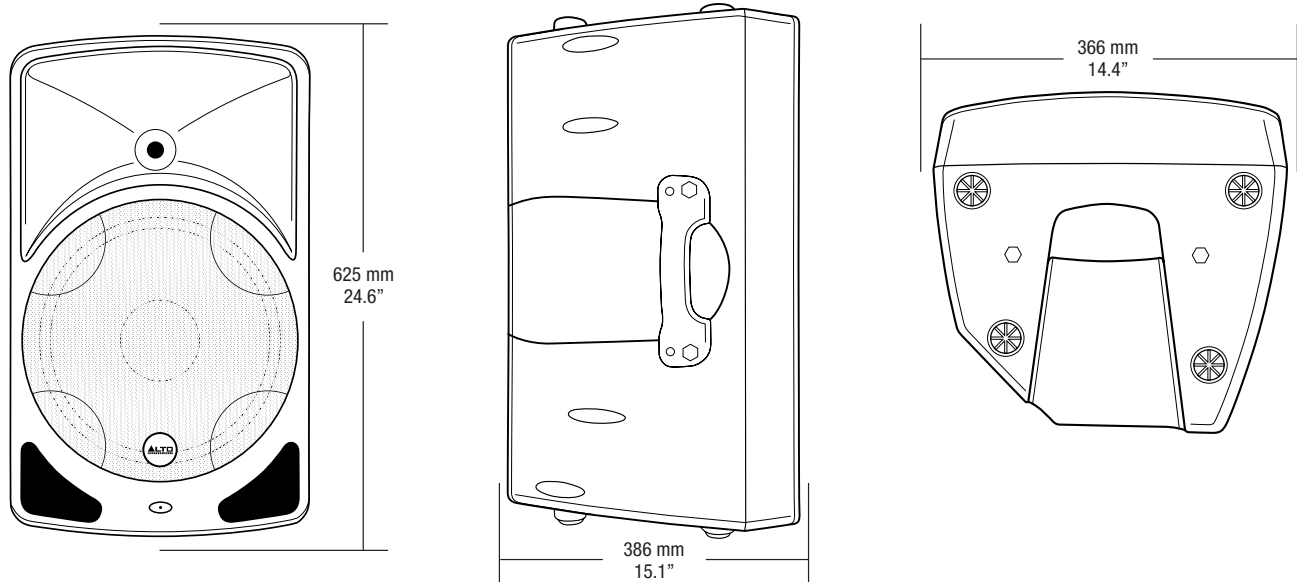
APPLICATIONS

Small/Mid-sized PA systems
Gymnasiums, fitness centers, and dance studios
Houses of worship
Bars, restaurants, clubs
Mobile DJ systems
Special events, presentations, and weddings

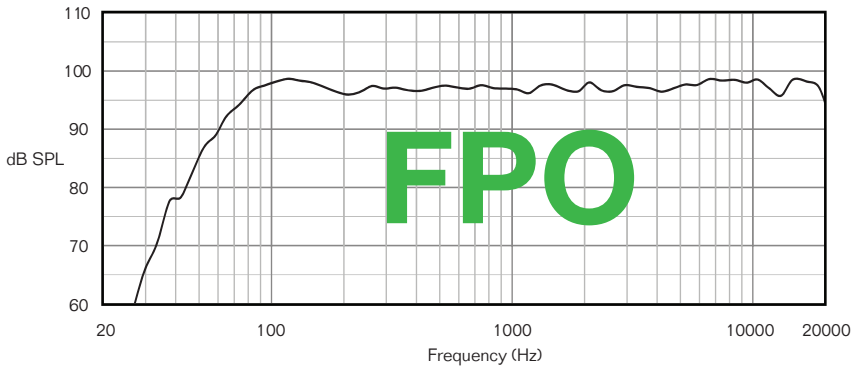
FEATURES

600 Watts peak / 300 Watts continuous power
Efficient Class-D power amp, bi-amplified
15" LF woofer with 2" voice coil
1" neodymium HF compression driver with 1" voice coil
Balanced XLR Mic/Line Input and Link Output
Precision electronic crossover
Integrated analog limiter and Onboard Contour control
Lightweight, portable design
Integrated 36mm speaker pole socket
Main or wedge monitor operation
Designed and tuned in the USA

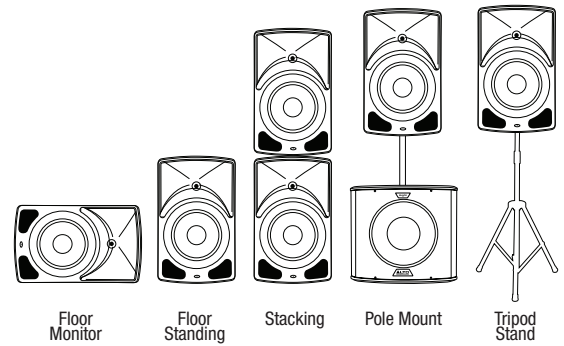
DIMENSIONS



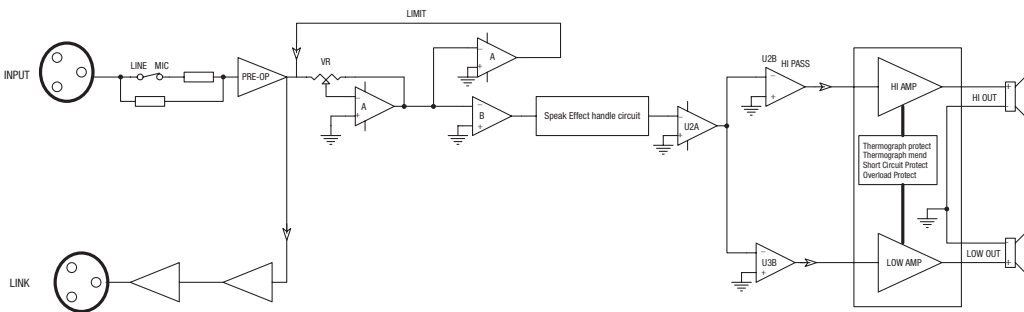
ON AXIS FREQUENCY RESPONSE



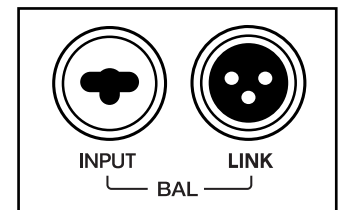
CONFIGURATIONS



BLOCK DIAGRAM



CONNECTORS



TX15

altoprofessional.com