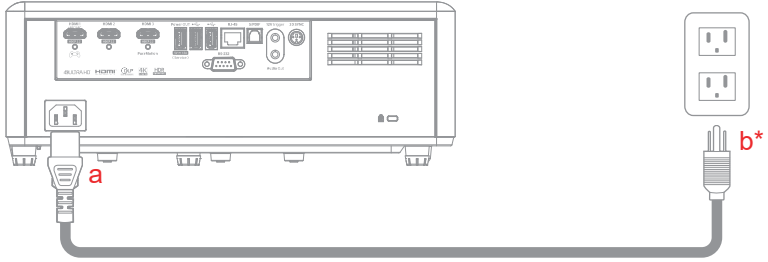




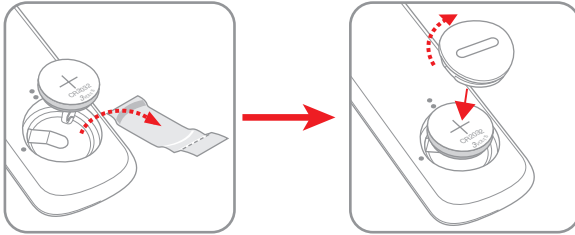
For access to the setup information, user manual, warranty information, and product updates – please scan the QR Code or visit the following URL:
<https://www.optoma.com/support/download>



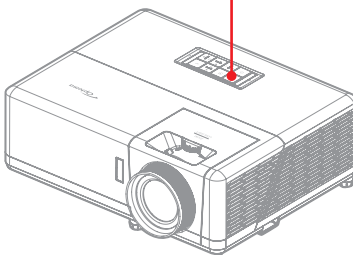
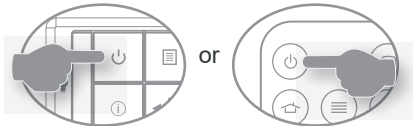
1



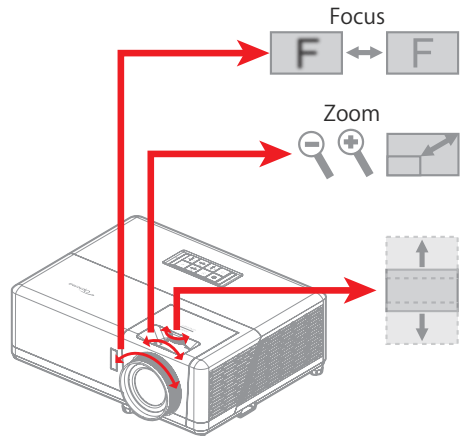
2



3



4



Note:

- The remote control may vary depending on the region and model.
- For warranty information, please visit our website: www.optoma.com
- For detailed instructions, please scan the QR code or visit the URL: <https://www.optoma.com/support/download>

5



6

