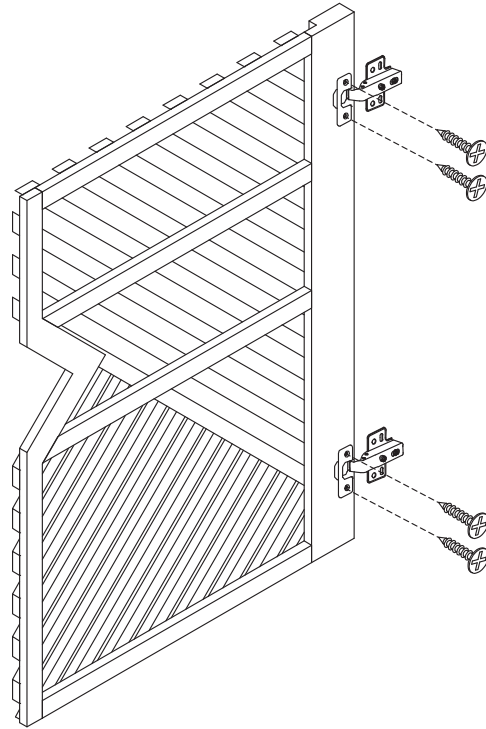
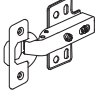

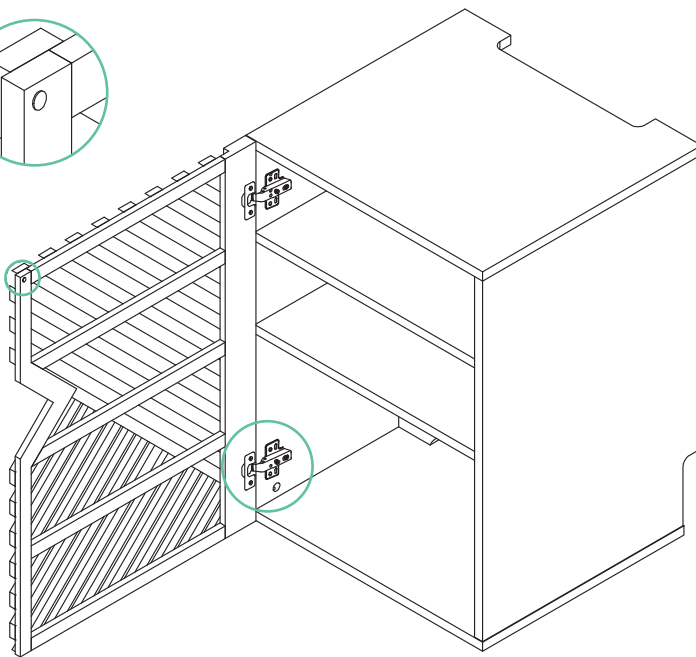
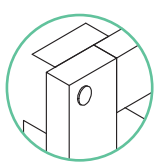




AVCOM Hifi Door Setup Guide

AC-HIFI-DOOR



PART	DESCRIPTION	QTY
1		2
2		4



PART	DESCRIPTION	QTY
3		8
4		1

