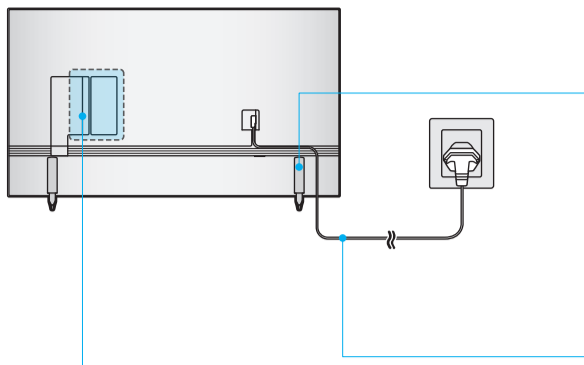


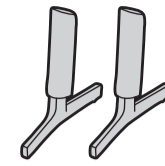
SAMSUNG



Unpacking and Installation Guide
 Guide de déballage et d'installation
 Guía de desembalaje e instalación
 Manual de desempacotamento e instalação
 Auspacken und Installationsanleitung
 Guida al disimballaggio e all'installazione
 Руководство по распаковке и установке
 Қаптамадан шығару және орнату нұсқаулығы
 Посібник з розпаковки та встановлення
 Qadoqdan chiqarish va o'rnatish qo'llanmasi



USB		USB ↔	OPTICAL	
ARC		HDMI (eARC)	LAN	
		HDMI	ANT	



1

43"

65" - 70"

50" - 55"

75"

85"

2

43" - 70"

75" - 85"

3

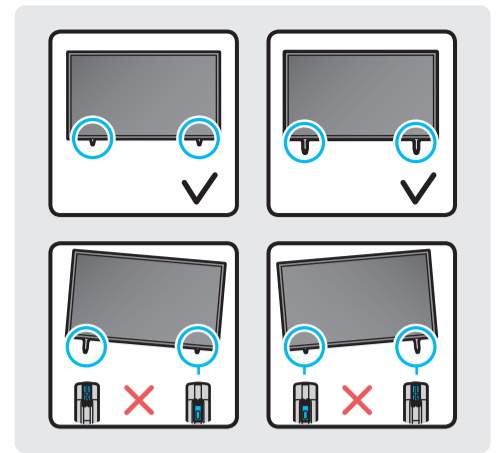
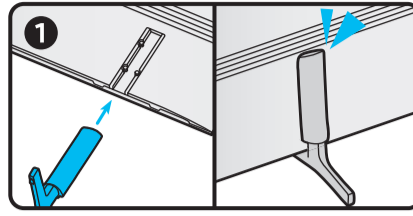
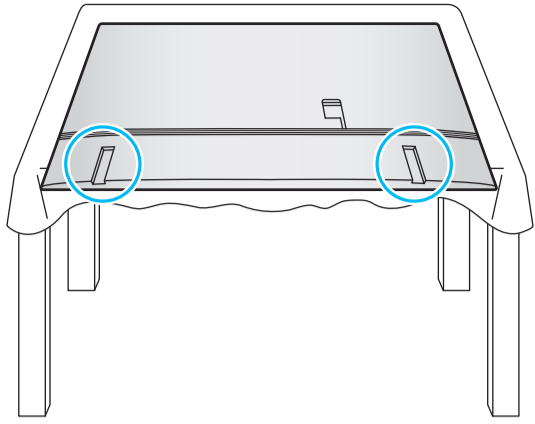
A

B

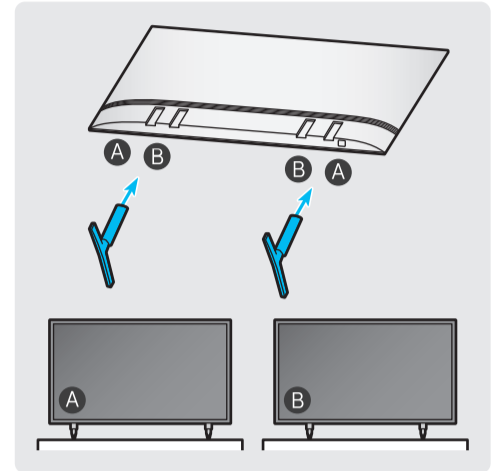
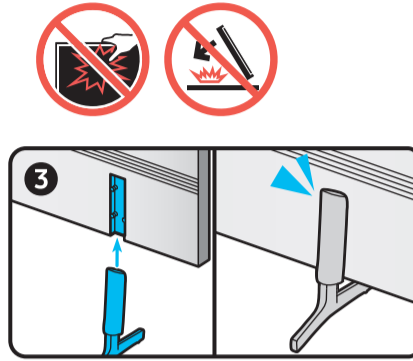
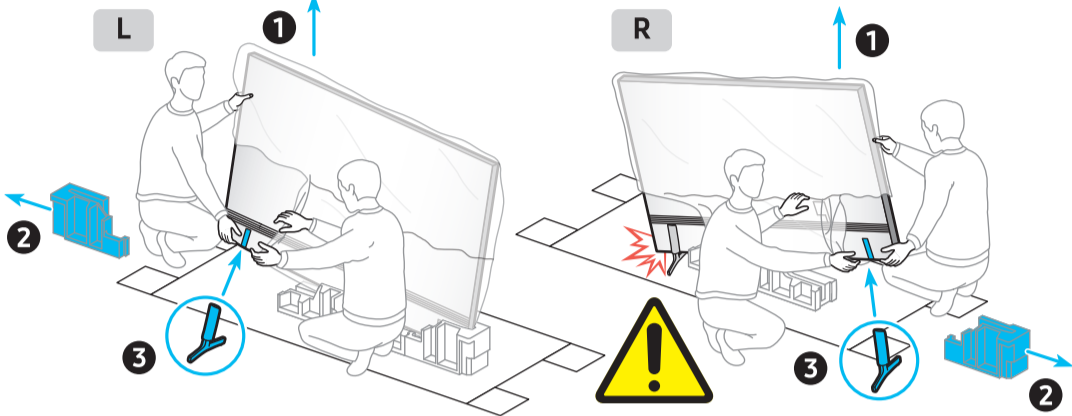
0.98 inches (25 mm)
(25 mm) (2.5 cm)

4

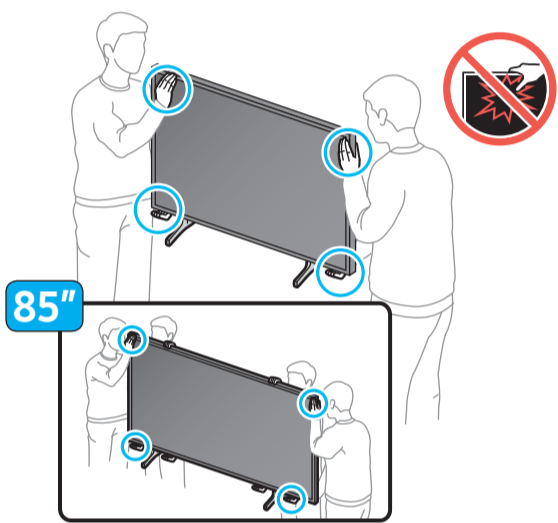
43"-70"



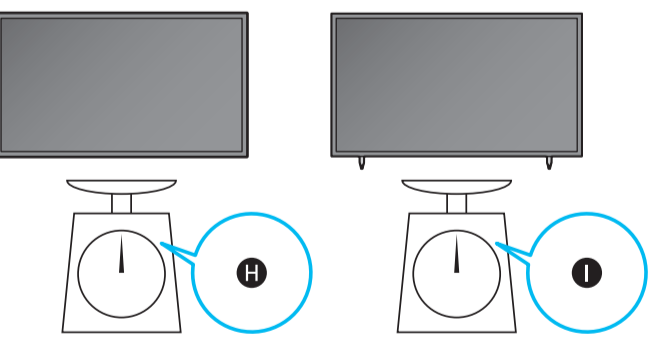
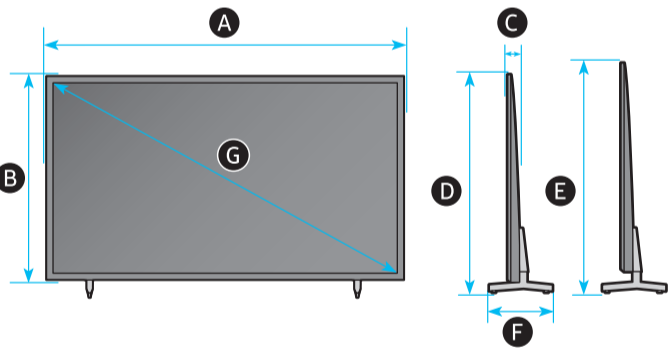
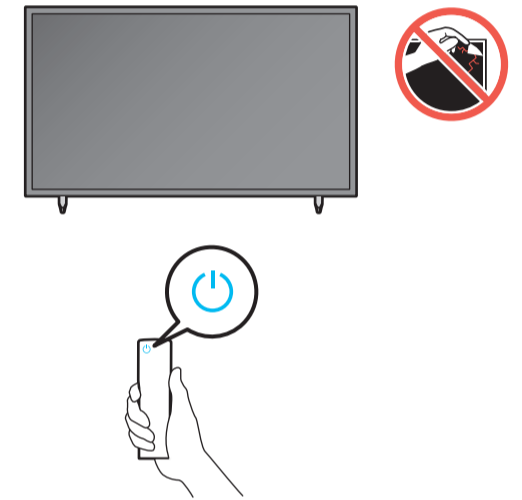
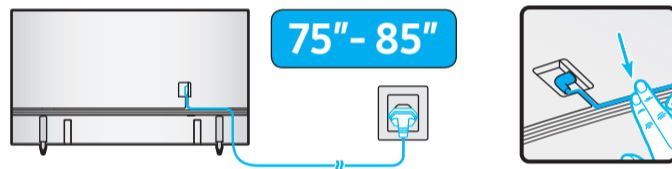
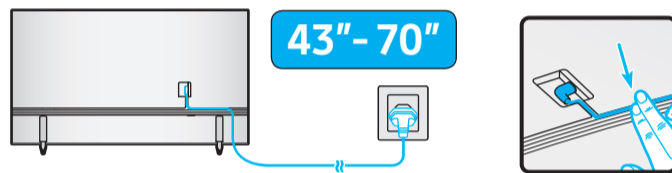
75"-85"



5

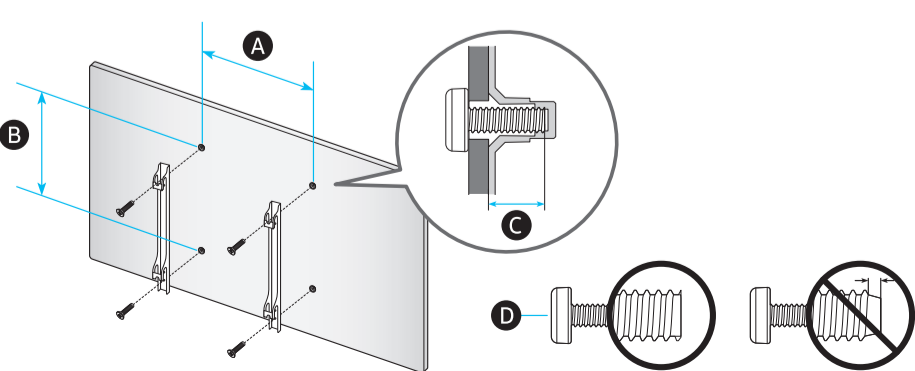


6



	A	B	C	D	E	F	G	H	I
50QE1D	44.0 inches (1118.3 mm) (1118.3 mm)	25.4 inches (644.1 mm) (64.41 cm)	1.0 inches (25.7 mm) (2.57 cm)	26.9 inches (683.6 mm) (68.36 cm)	27.9 inches (708.6 mm) (70.86 cm)	9.0 inches (228.8 mm) (22.88 cm)	49.5 inches (125 cm) (125 cm)	25.4 lbs (11.5 kg) (11,5 kr)	26.0 lbs (11.8 kg) (11,8 kr)
55QE1D	48.5 inches (1232.1 mm) (123.21 cm)	27.9 inches (708.3 mm) (70.83 cm)	1.0 inches (25.7 mm) (2.57 cm)	29.4 inches (747.8 mm) (74.78 cm)	30.4 inches (772.8 mm) (77.28 cm)	9.0 inches (228.8 mm) (22.88 cm)	54.6 inches (138 cm) (138 cm)	34.2 lbs (15.5 kg) (15,5 kr)	34.8 lbs (15.8 kg) (15,8 kr)
65QE1D	57.1 inches (1450.9 mm) (145.09 cm)	32.7 inches (831.4 mm) (83.14 cm)	1.0 inches (25.7 mm) (2.57 cm)	34.2 inches (869.6 mm) (86.96 cm)	35.2 inches (894.6 mm) (89.46 cm)	11.1 inches (281.8 mm) (28.18 cm)	64.5 inches (163 cm) (163 cm)	46.1 lbs (20.9 kg) (20,9 kr)	47.0 lbs (21.3 kg) (21,3 kr)
70QE1D	61.4 inches (1559.7 mm) (155.97 cm)	35.5 inches (902.6 mm) (90.26 cm)	1.0 inches (26.6 mm) (2.66 cm)	37.3 inches (947.8 mm) (94.78 cm)	38.3 inches (972.8 mm) (97.28 cm)	13.4 inches (340.4 mm) (34.04 cm)	69.5 inches (176 cm) (176 cm)	62.8 lbs (28.5 kg) (28,5 kr)	64.2 lbs (29.1 kg) (29,1 kr)
75QE1D	66.0 inches (1676.7 mm) (167.67 cm)	37.8 inches (959.8 mm) (95.98 cm)	1.0 inches (26.6 mm) (2.66 cm)	39.6 inches (1005.5 mm) (100.55 cm)	40.6 inches (1030.5 mm) (103.05 cm)	13.4 inches (340.4 mm) (34.04 cm)	74.5 inches (189 cm) (189 cm)	69.2 lbs (31.4 kg) (31,4 kr)	70.5 lbs (32.0 kg) (32,0 kr)
85QE1D	74.8 inches (1900.9 mm) (190.09 cm)	42.7 inches (1085.7 mm) (108.57 cm)	1.1 inches (26.9 mm) (2.69 cm)	44.5 inches (1129.1 mm) (112.91 cm)	45.4 inches (1154.1 mm) (115.41 cm)	15.6 inches (396.6 mm) (39.66 cm)	84.5 inches (214 cm) (214 cm)	91.5 lbs (41.5 kg) (41,5 kr)	93.7 lbs (42.5 kg) (42,5 kr)
43DU8***	38.0 inches (965.5 mm) (96.55 cm)	22.0 inches (559.9 mm) (55.99 cm)	1.0 inches (25.7 mm) (2.57 cm)	23.6 inches (599.0 mm) (59.90 cm)	24.6 inches (624.0 mm) (62.40 cm)	8.1 inches (205.6 mm) (20.56 cm)	42.5 inches (108 cm) (108 cm)	18.5 lbs (8.4 kg) (8,4 kr)	19.2 lbs (8.7 kg) (8,7 kr)
50DU8***	44.0 inches (1118.3 mm) (111.83 cm)	25.4 inches (644.6 mm) (64.46 cm)	1.0 inches (25.7 mm) (2.57 cm)	26.9 inches (683.6 mm) (68.36 cm)	27.9 inches (708.6 mm) (70.86 cm)	9.0 inches (228.8 mm) (22.88 cm)	49.5 inches (125 cm) (125 cm)	25.4 lbs (11.5 kg) (11,5 kr)	26.0 lbs (11.8 kg) (11,8 kr)
55DU8***	48.5 inches (1232.1 mm) (123.21 cm)	27.9 inches (708.8 mm) (70.88 cm)	1.0 inches (25.7 mm) (2.57 cm)	29.4 inches (747.8 mm) (74.78 cm)	30.4 inches (772.8 mm) (77.28 cm)	9.0 inches (228.8 mm) (22.88 cm)	54.6 inches (138 cm) (138 cm)	34.2 lbs (15.5 kg) (15,5 kr)	34.8 lbs (15.8 kg) (15,8 kr)
65DU8***	57.1 inches (1450.9 mm) (145.09 cm)	32.8 inches (831.9 mm) (83.19 cm)	1.0 inches (25.7 mm) (2.57 cm)	34.2 inches (869.6 mm) (86.96 cm)	35.2 inches (894.6 mm) (89.46 cm)	11.1 inches (281.8 mm) (28.18 cm)	64.5 inches (163 cm) (163 cm)	46.1 lbs (20.9 kg) (20,9 kr)	47.0 lbs (21.3 kg) (21,3 kr)
75DU8***	66.0 inches (1676.7 mm) (167.67 cm)	37.8 inches (960.3 mm) (96.03 cm)	1.0 inches (26.6 mm) (2.66 cm)	39.6 inches (1005.5 mm) (100.55 cm)	40.6 inches (1030.5 mm) (103.05 cm)	13.4 inches (340.4 mm) (34.04 cm)	74.5 inches (189 cm) (189 cm)	69.2 lbs (31.4 kg) (31,4 kr)	70.5 lbs (32.0 kg) (32,0 kr)
85DU8***	74.8 inches (1900.9 mm) (190.09 cm)	42.8 inches (1086.1 mm) (108.61 cm)	1.1 inches (26.9 mm) (2.69 cm)	44.5 inches (1129.1 mm) (112.91 cm)	45.4 inches (1154.1 mm) (115.41 cm)	15.6 inches (396.6 mm) (39.66 cm)	84.5 inches (214 cm) (214 cm)	91.5 lbs (41.5 kg) (41,5 kr)	93.7 lbs (42.5 kg) (42,5 kr)

*: 0-9, A-Z



	VESA A x B (mm) VESA A x B (mm)	C (mm) C (mm)	D x 4
43DU8***	200 x 200	11-13	M8
50QE1D / 50DU8***			
55QE1D / 55DU8***			
65QE1D / 65DU8***	400 x 300	11-13	M8
70QE1D			
75QE1D / 75DU8***	400 x 400	11-13	M8
85QE1D / 85DU8***			

*: 0-9, A-Z