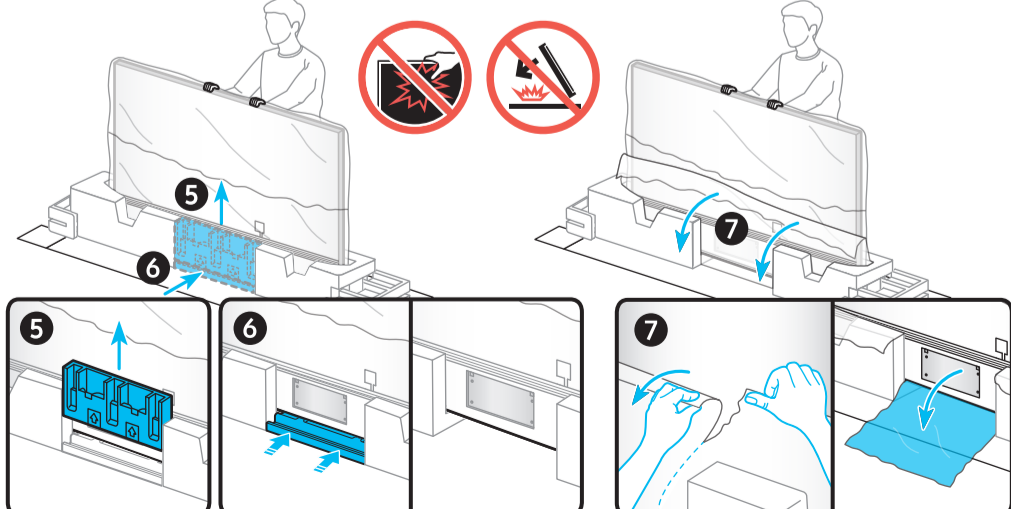
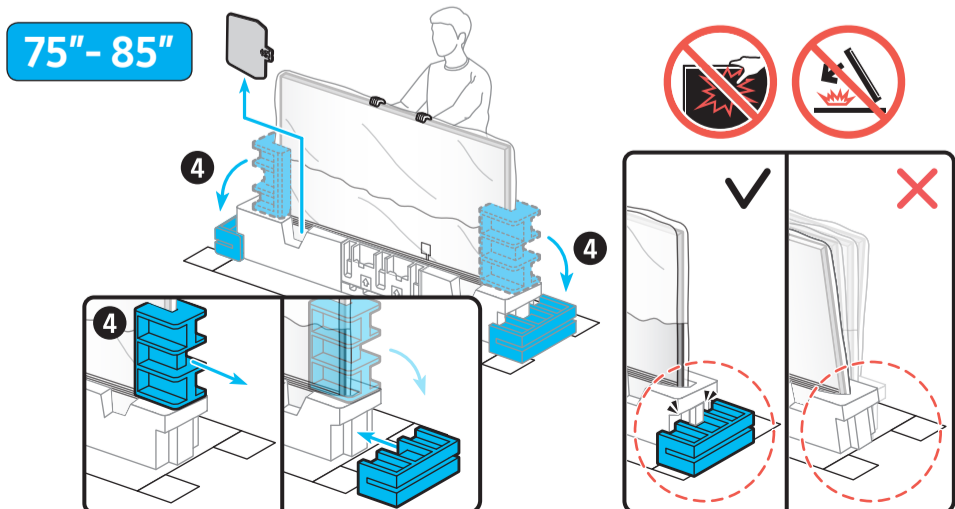
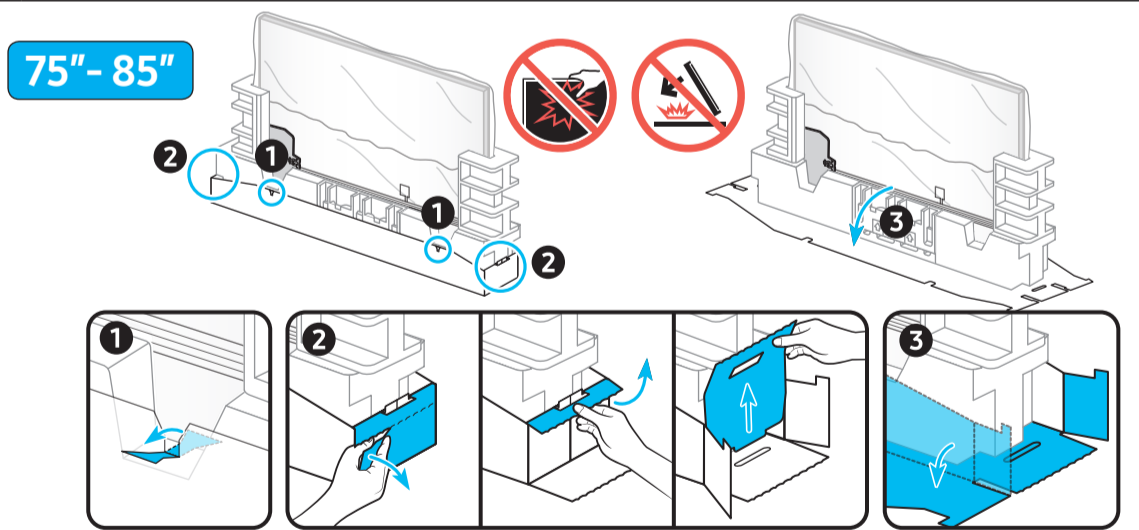
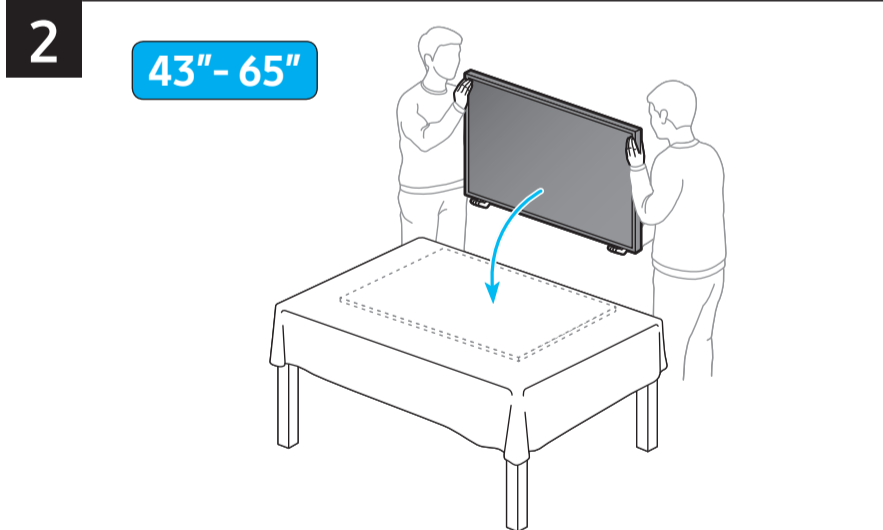
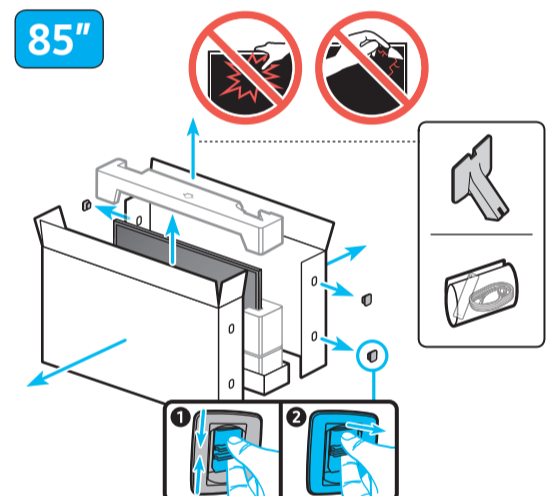
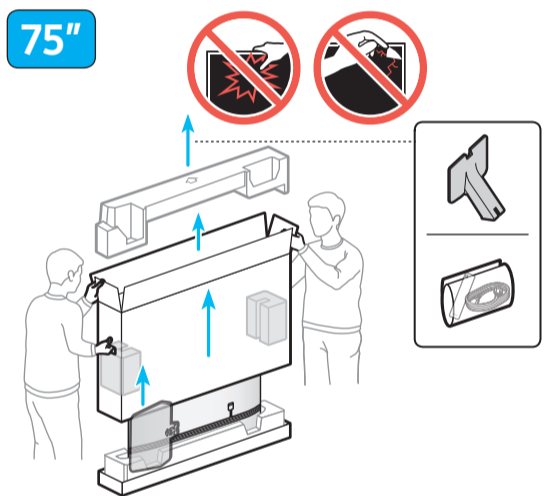
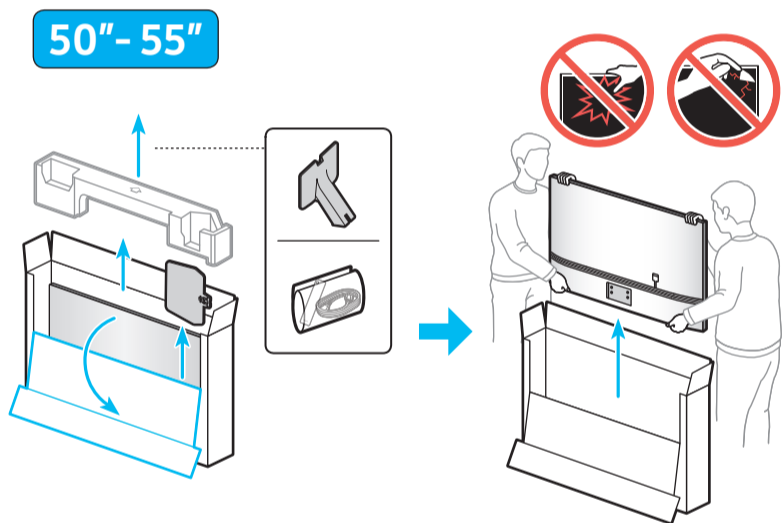
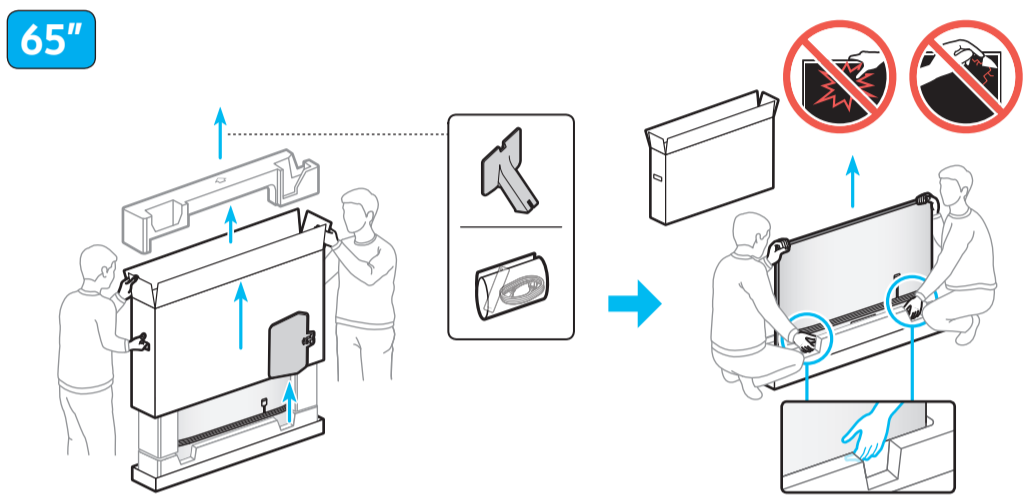
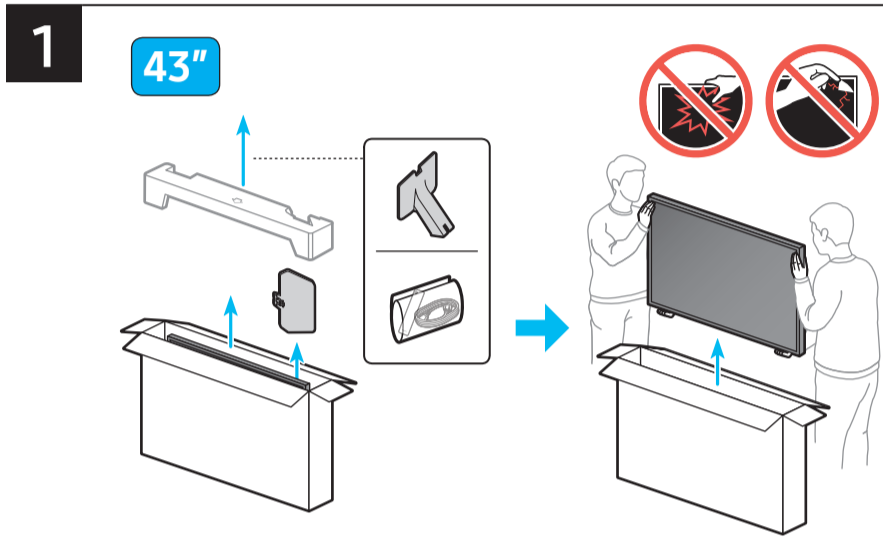
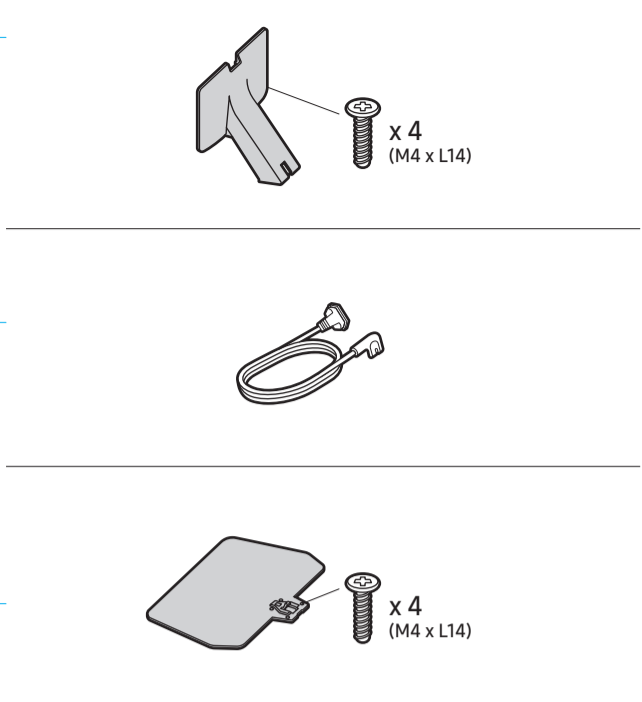
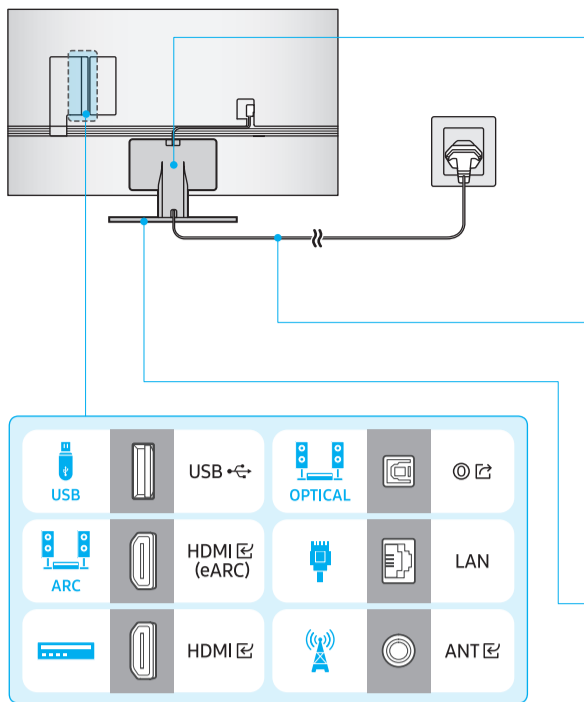
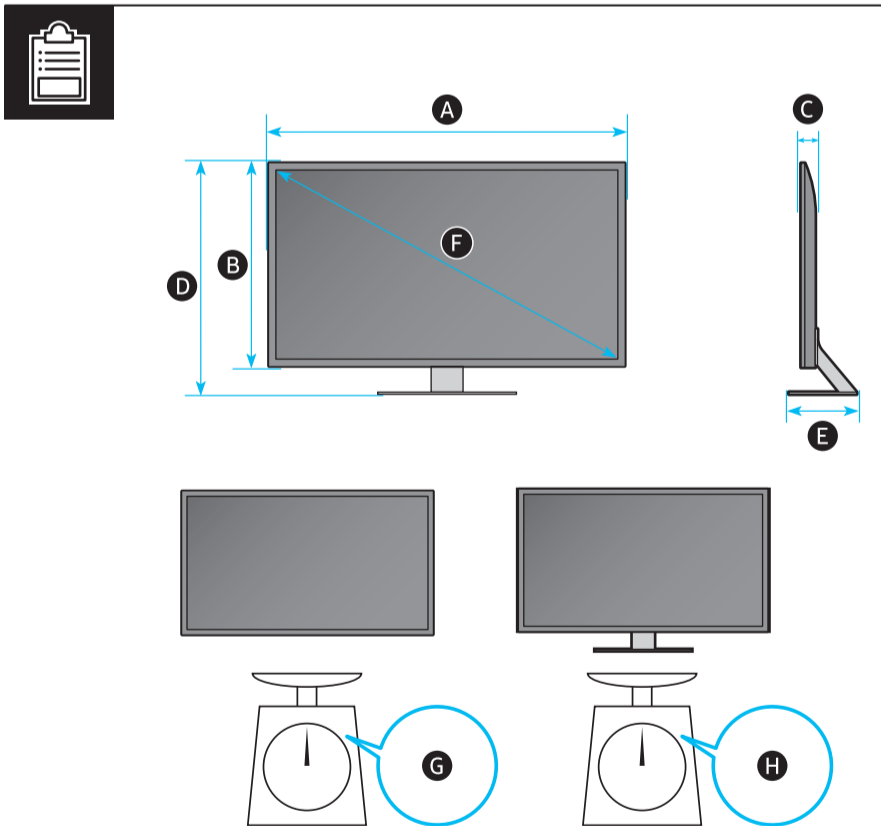
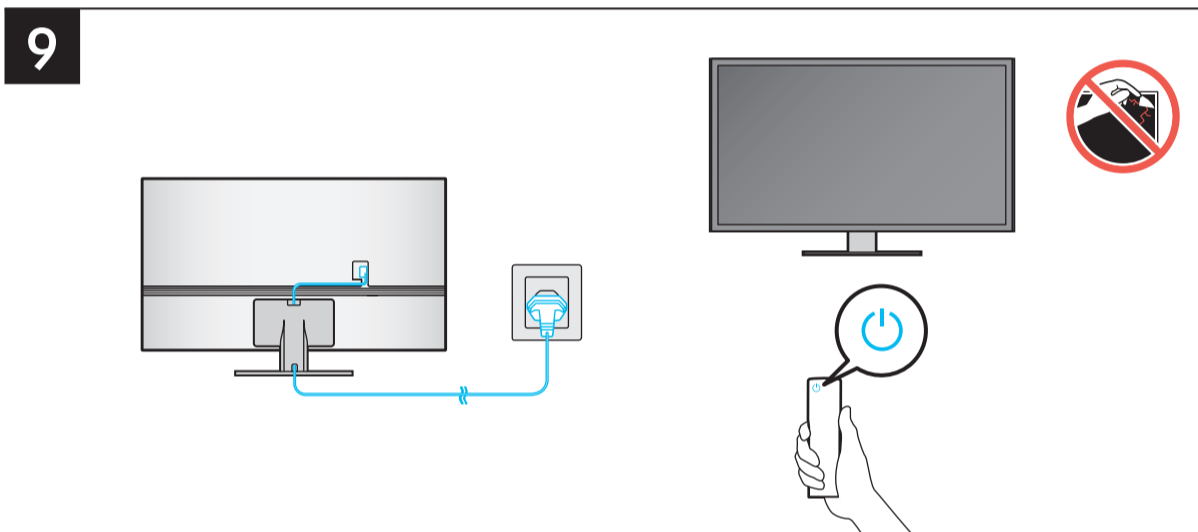
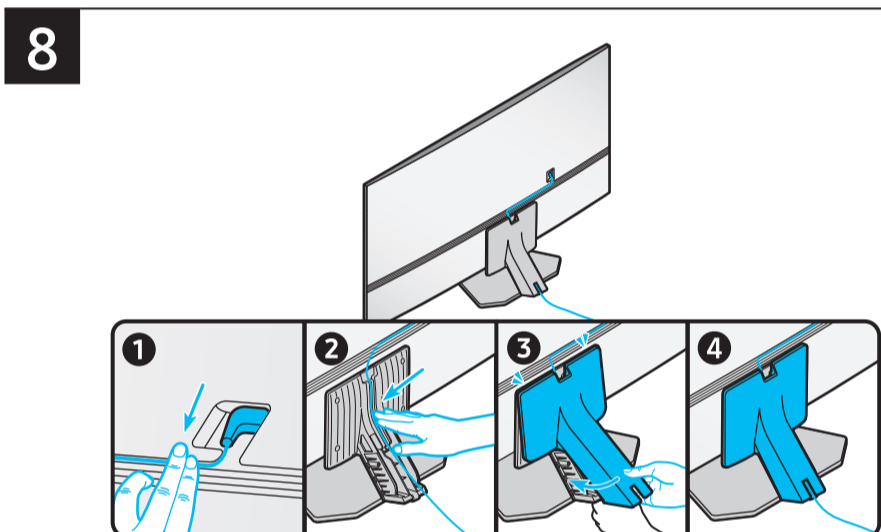
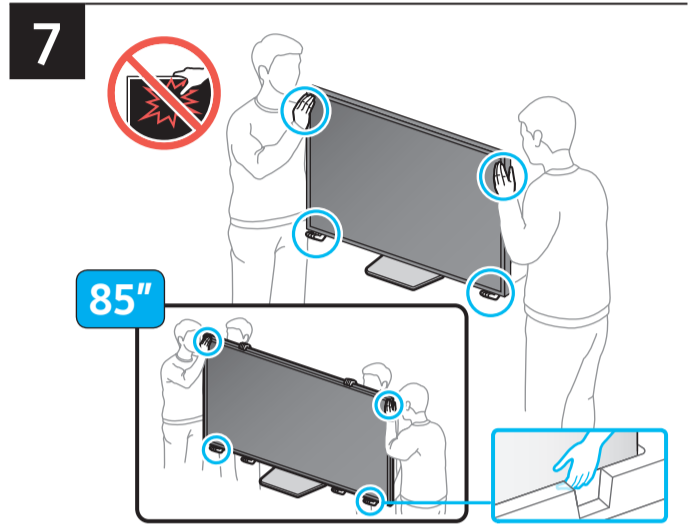
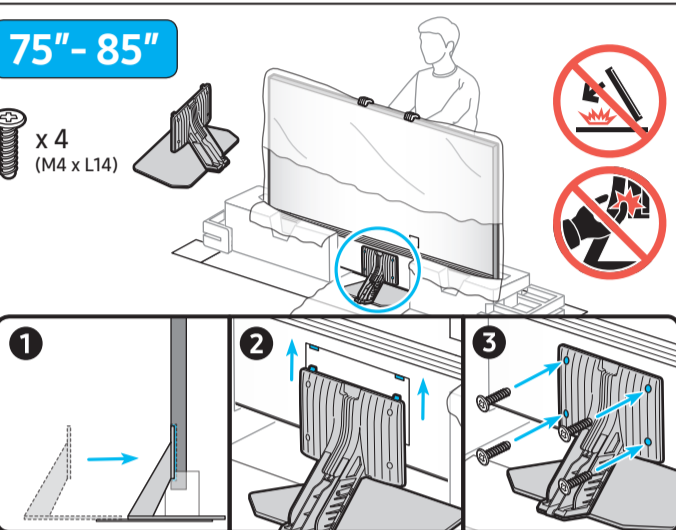
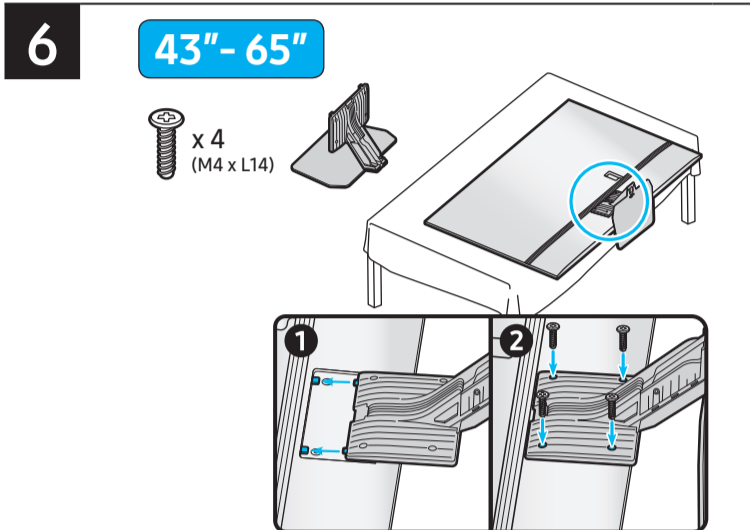
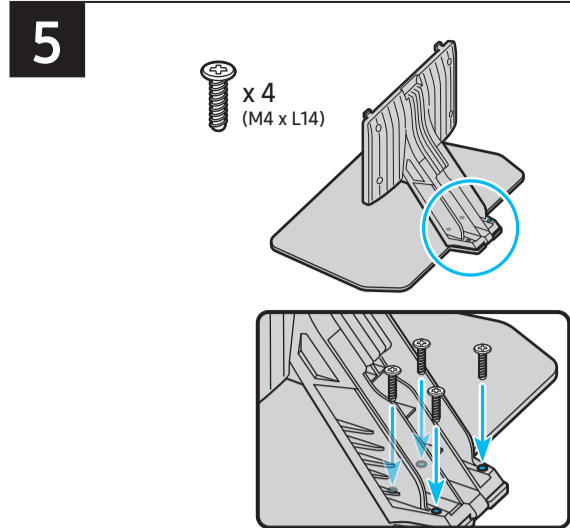
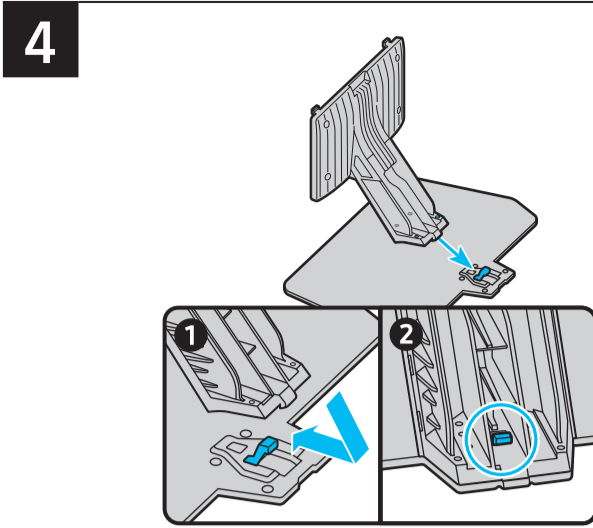
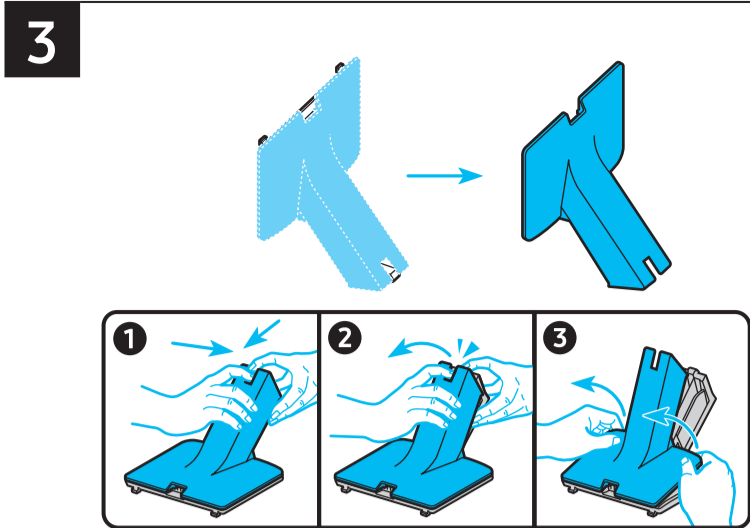


SAMSUNG



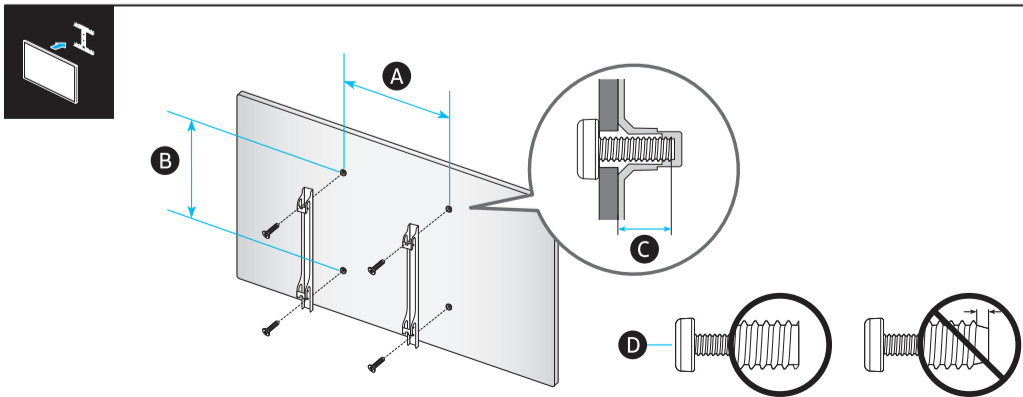
Unpacking and Installation Guide
 Guide de déballage et d'installation
 Guía de desembalaje e instalación
 Manual de desempacotamento e instalação
 Auspacken und Installationsanleitung
 Guida al disimballaggio e all'installazione
 Руководство по распаковке и установке
 Қаптамадан шығару және орнату нұсқаулығы
 Посібник з розпаковки та встановлення
 Qadoqdan chiqarish va o'rnatish qo'llanmasi





	A	B	C	D	E	F	G	H
43QN9*D 43QND9*	37.8 inches (960.8 mm) (96.08 cm)	22.0 inches (558.9 mm) (55.89 cm)	1.1 inches (26.9 mm) (2.69 cm)	24.4 inches (619.9 mm) (61.99 cm)	8.7 inches (220.0 mm) (22.00 cm)	42.5 inches (108 cm) (108 cm)	20.7 lbs (9.4 kg) (9,4 kr)	29.5 lbs (13.4 kg) (13,4 kr)
50QN9*D 50QND9*	43.8 inches (1113.6 mm) (111.36 cm)	25.4 inches (644.1 mm) (64.41 cm)	1.1 inches (26.9 mm) (2.69 cm)	27.8 inches (705.4 mm) (70.54 cm)	8.7 inches (220.0 mm) (22.00 cm)	49.5 inches (125 cm) (125 cm)	29.8 lbs (13.5 kg) (13,5 kr)	38.8 lbs (17.6 kg) (17,6 kr)
55QN9*D 55QND9*	48.3 inches (1227.4 mm) (122.74 cm)	27.8 inches (705.6 mm) (70.56 cm)	1.1 inches (26.9 mm) (2.69 cm)	30.2 inches (768.2 mm) (76.82 cm)	9.3 inches (237.0 mm) (23.70 cm)	54.6 inches (138 cm) (138 cm)	39.0 lbs (17.7 kg) (17,7 kr)	45.4 lbs (20.6 kg) (20,6 kr)
65QN9*D 65QND9*	56.9 inches (1446.3 mm) (144.63 cm)	32.6 inches (828.7 mm) (82.87 cm)	1.1 inches (26.9 mm) (2.69 cm)	35.1 inches (891.3 mm) (89.13 cm)	10.7 inches (270.6 mm) (27.06 cm)	64.5 inches (163 cm) (163 cm)	53.4 lbs (24.2 kg) (24,2 kr)	60.6 lbs (27.5 kg) (27,5 kr)
75QN9*D 75QND9*	65.7 inches (1670.0 mm) (167.00 cm)	37.7 inches (957.4 mm) (95.74 cm)	1.1 inches (27.7 mm) (2.77 cm)	40.0 inches (1017.2 mm) (101.72 cm)	11.9 inches (301.2 mm) (30.12 cm)	74.5 inches (189 cm) (189 cm)	75.2 lbs (34.1 kg) (34,1 kr)	87.5 lbs (39.7 kg) (39,7 kr)
85QN9*D 85QND9*	74.5 inches (1892.2 mm) (189.22 cm)	42.6 inches (1081.9 mm) (108.19 cm)	1.1 inches (27.9 mm) (2.79 cm)	45.0 inches (1143.0 mm) (114.30 cm)	12.6 inches (321.3 mm) (32.13 cm)	84.5 inches (214 cm) (214 cm)	96.0 lbs (43.5 kg) (43,5 kr)	110.0 lbs (49.9 kg) (49,9 kr)

*: 0-9, A-Z



	VESA A x B (mm) VESA A x B (MM)	C (mm) C (MM)	D x 4
43QN9*D / 43QND9*	200 x 200	11-13	M8
50QN9*D / 50QND9*			
55QN9*D / 55QND9*			
65QN9*D / 65QND9*	400 x 300	11-13	M8
75QN9*D / 75QND9*	400 x 400		
85QN9*D / 85QND9*	600 x 400		

*: 0-9, A-Z