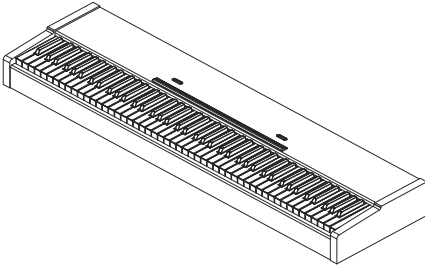
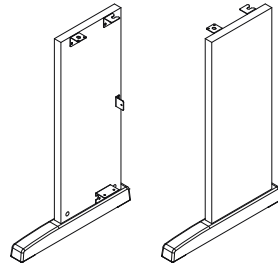
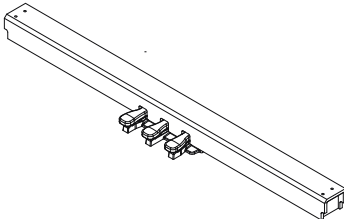
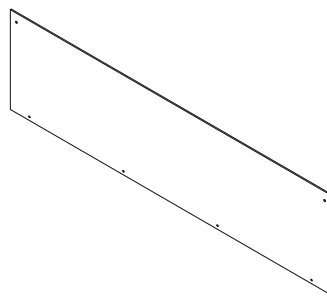
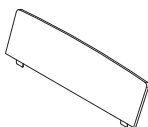
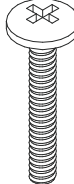
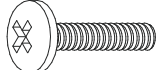

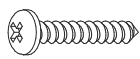
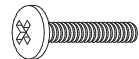


# VISIONKEY-500

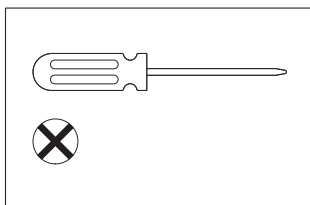
## SET-UP GUIDE

# CONTENTS CHECKLIST

First, check the contents of the package and make sure you have everything you need.

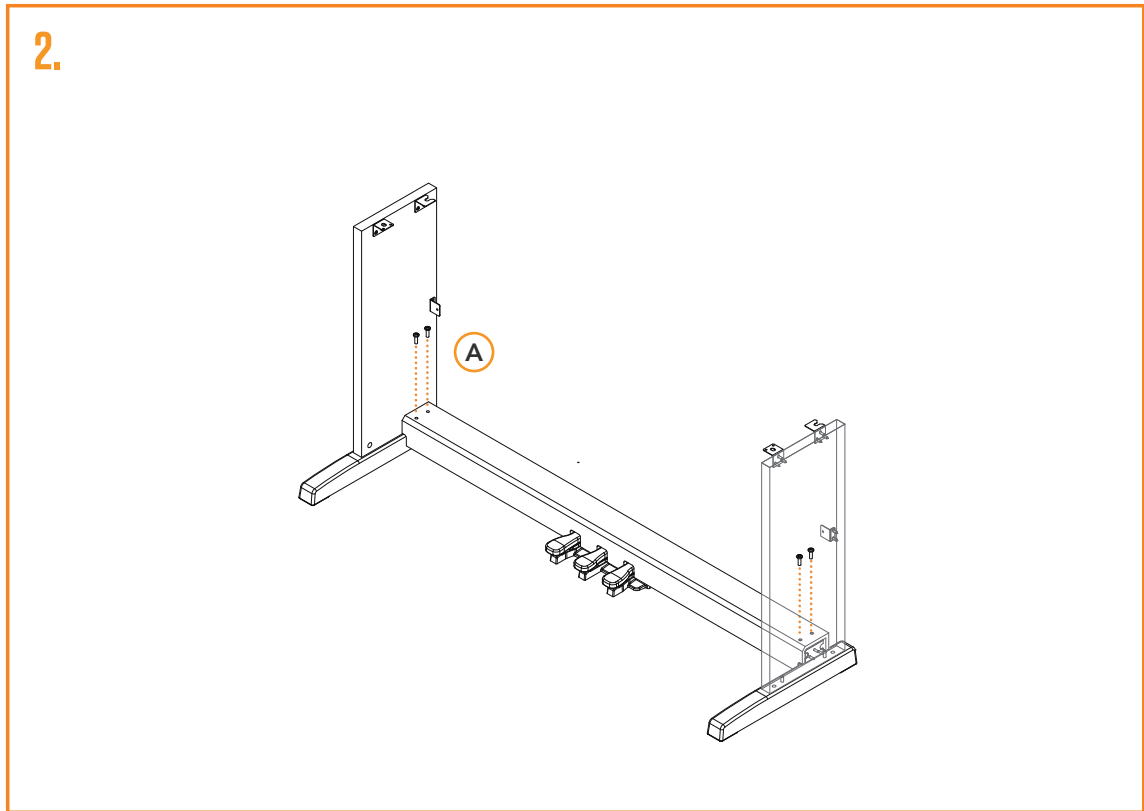
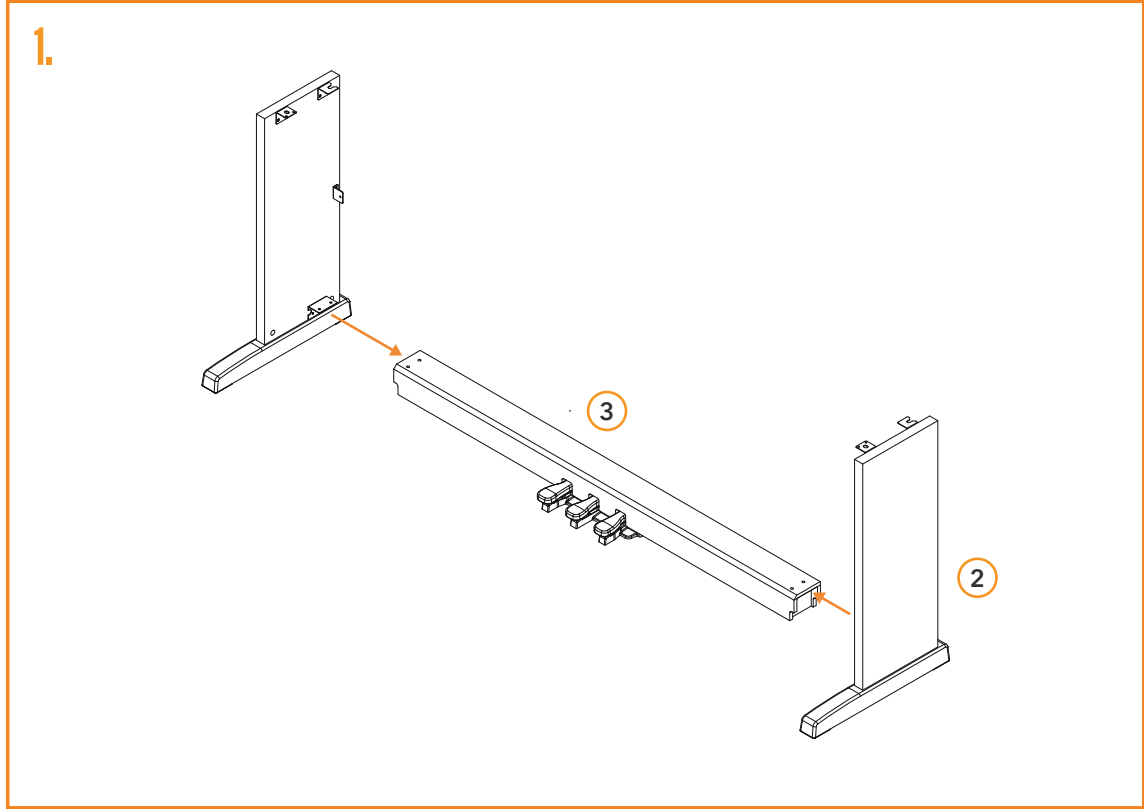
<p>①</p>  <p>X1</p>	<p>②</p>  <p>X2</p>		
<p>③</p>  <p>X1</p>	<p>④</p>  <p>X1</p>		
<p>⑤</p>  <p>X1</p>	<p>A</p>  <p>23MM X4</p>	<p>B</p>  <p>20MM X4</p>	<p>C</p>  <p>X6</p>
		<p>D</p>  <p>18MM X4</p>	<p>E</p>  <p>14MM X2</p>

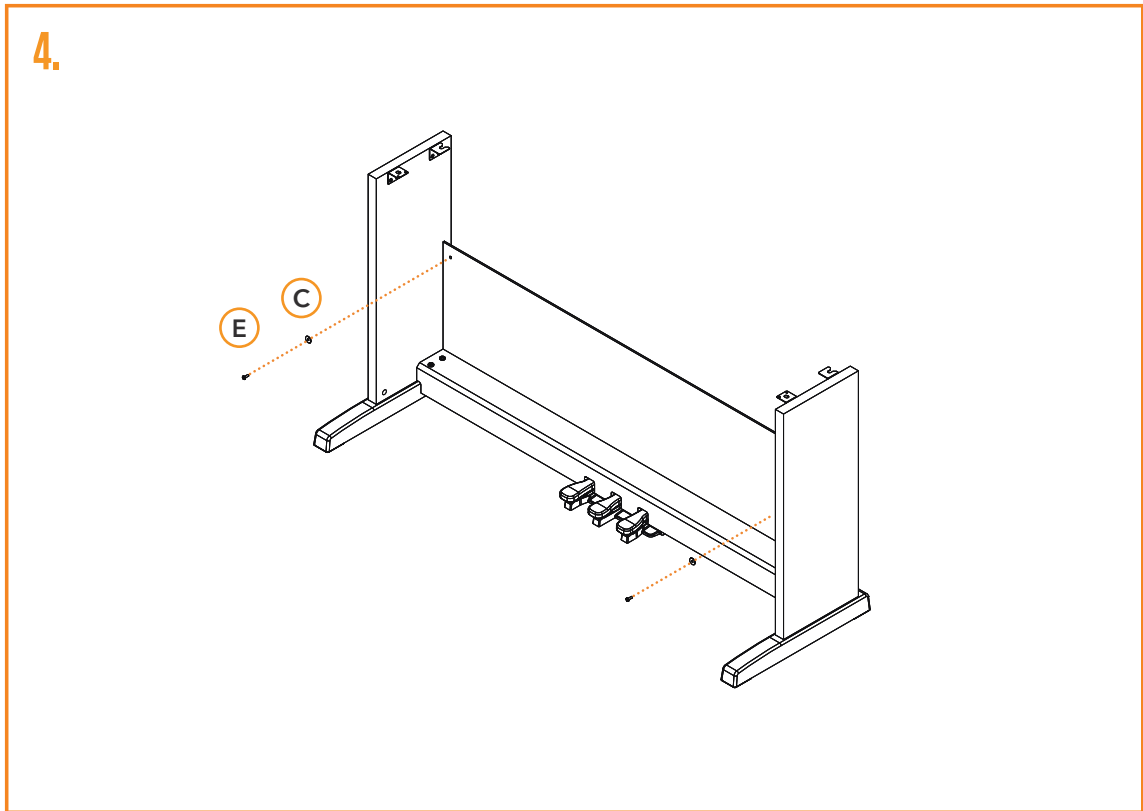
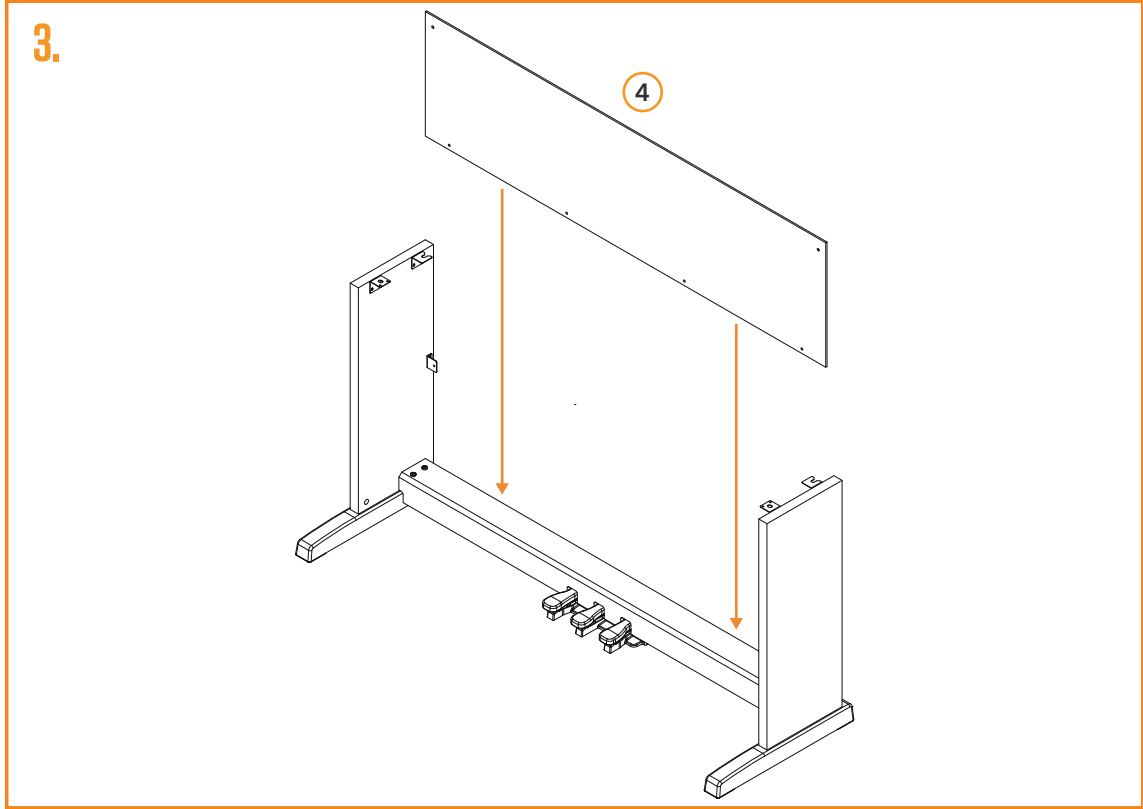
## TOOLS REQUIRED



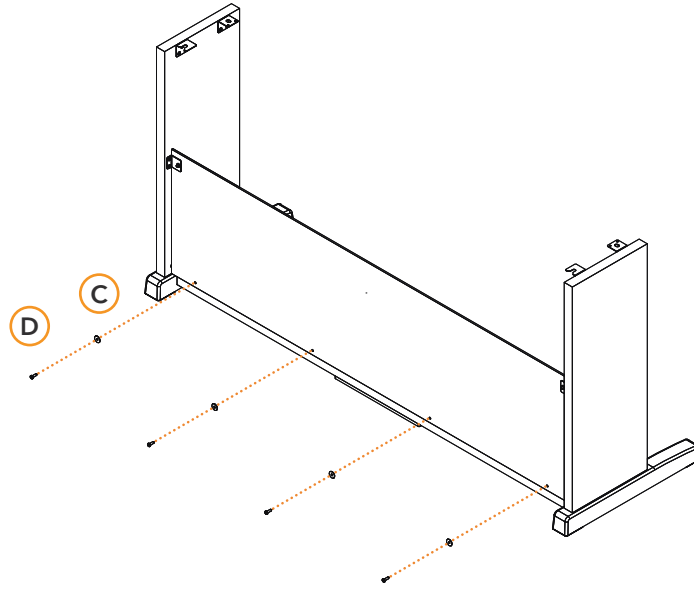
## MEASURING GUIDE



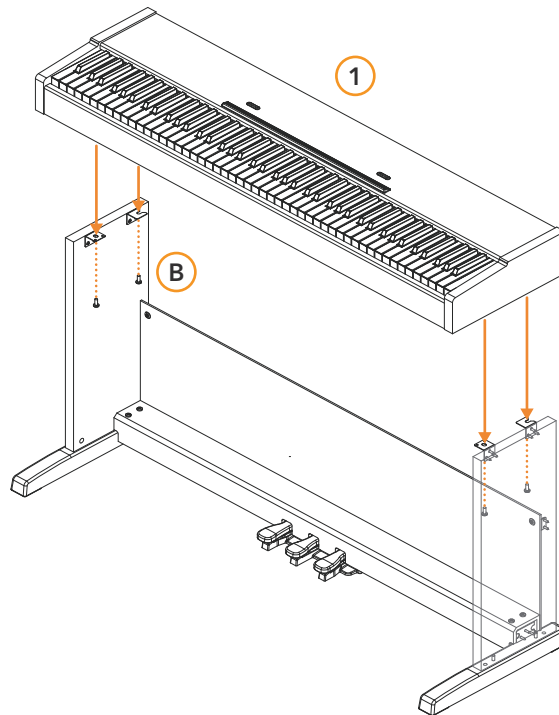


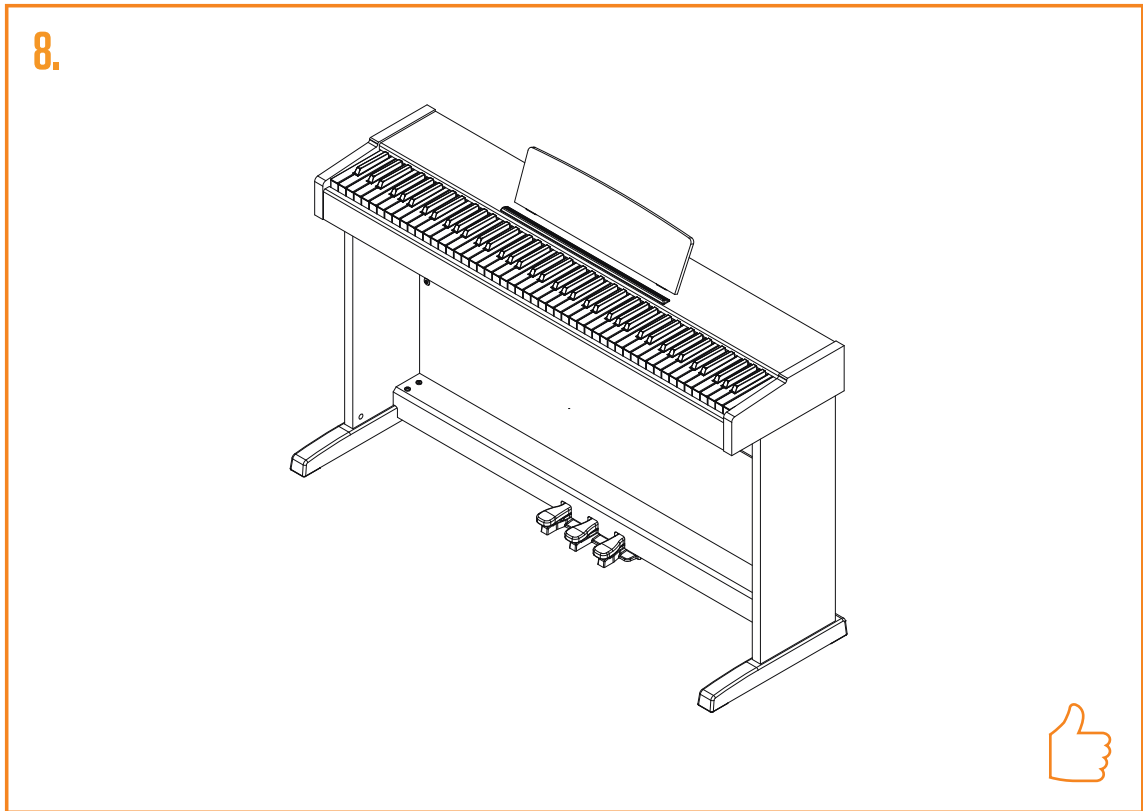
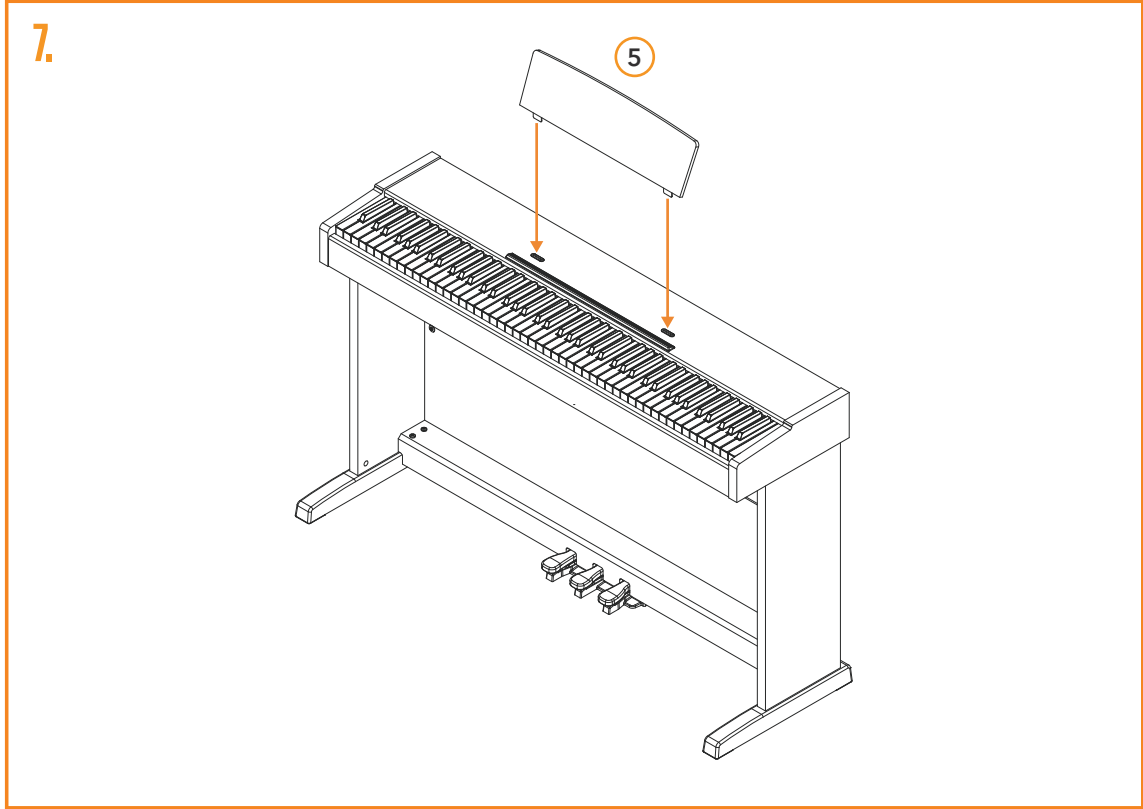


5.



6.









**WWW.GEAR4MUSIC.COM**

KETTLESTRING LANE | YORK | YO30 4XF | UNITED KINGDOM  
LAHNSTRABE 27 | 45478 MÜLHEIM AN DER RUHR | DEUTSCHLAND

If you have any more questions about this product, please do not hesitate to contact the Gear4music Customer Service Team on: **+44 (0) 330 365 4444** or **info@gear4music.com**