

• Oslo Turntable Stand

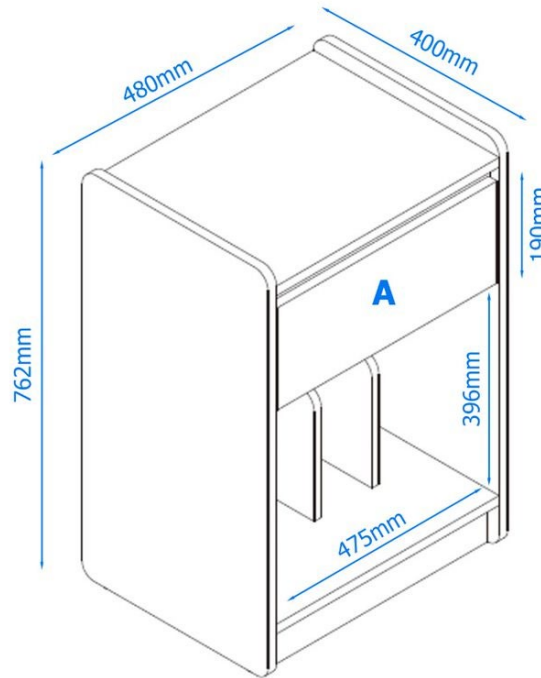
The Alphason Oslo Turntable Stand - Give your precious vinyl the home it deserves! The Oslo Turntable Stand is specifically designed with your treasured collection in mind. Available in 2 sizes, this carefully crafted console provides the perfect home for any collection. This stand features a Classic Light Oak finish to complement all decors, White Laminated Dividers and a large media drawer. The Oslo Turntable Stand is easily assembled and ships flat to your door.



- Turntable stand with vinyl storage
- Classic light oak and white finish
- Large media drawer
- Constructed from particleboard
- Available in 2 Sizes
- Easily assembled & ships flat to your door



• Oslo Turntable Stand



Internal Dims
A - H95 x W422 x D276 mm

SPECIFYING

Max screen size	N/A
Maximum load (kg)	50
Shelf Load weights (mm)	20
Safety Glass thickness (mm)	N/A
Product Weight (kg)	22.72
Dims: H 762 x W 515 x D 400 (mm)	

PACKAGING

Number of Boxes	1
Width (mm)	490
Height (mm)	205
Depth (mm)	745
Weight (kg)	25.18

Finishes

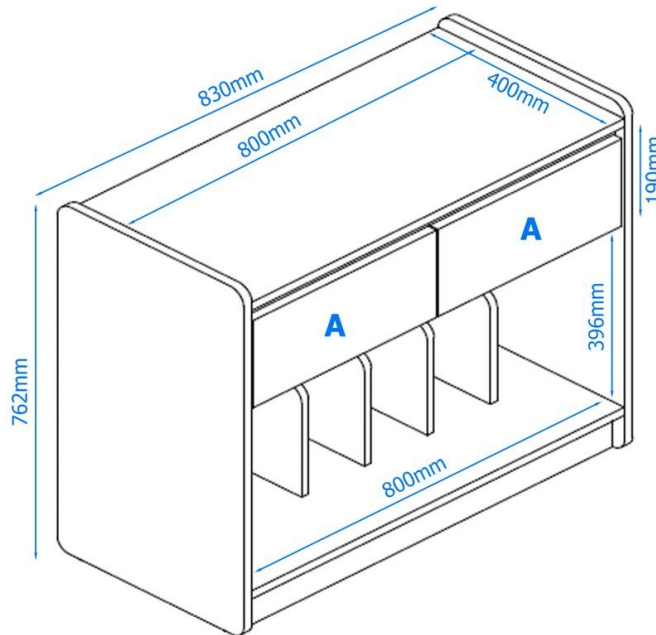


Light Oak

Oslo Plus Turntable Stand

alphason

Technical Sheet



Internal Dims
A - H95 x W340 x D276 mm

SPECIFYING

Max screen size	N/A
Maximum load (kg)	50
Shelf Load weights (mm)	20
Safety Glass thickness (mm)	N/A
Product Weight (kg)	36.28
Dims: H 762 x W 836 x D 400 (mm)	

PACKAGING

Number of Boxes	1
Width (mm)	490
Height (mm)	225
Depth (mm)	925
Weight (kg)	39.16

Finishes



Light Oak

ATTS1102 LIGHT OAK EAN: 5060669119647