

## • Element Modular

The Element Modular offers contemporary design combined with generous space for your AV equipment. The Element is available in two widths 850mm and 1250mm whilst the new Element XL offers additional height (520mm) to the 1250mm unit allowing for even more personalization. Element can be displayed as individual units or combined to form larger stands up to 2500mm with varying heights. The seamless connections, soft touch drawers and IR friendly doors ensure the Element remains a stylish addition to any living room. Available in 3 high gloss finishes: Black, White and Grey

- **Modular - Units can be joined together**
- **IR friendly doors**
- **Media drawer**
- **Hidden lockable castors**
- **Cable management**
- **Passive ventilation**



# • Element Modular 850

**alphason**

Technical Sheet

## Main Features



Passive Ventilation



Adjustable Shelves



Tempered Glass



IR Friendly Glass



Cable Management



Modular Design

## Finishes



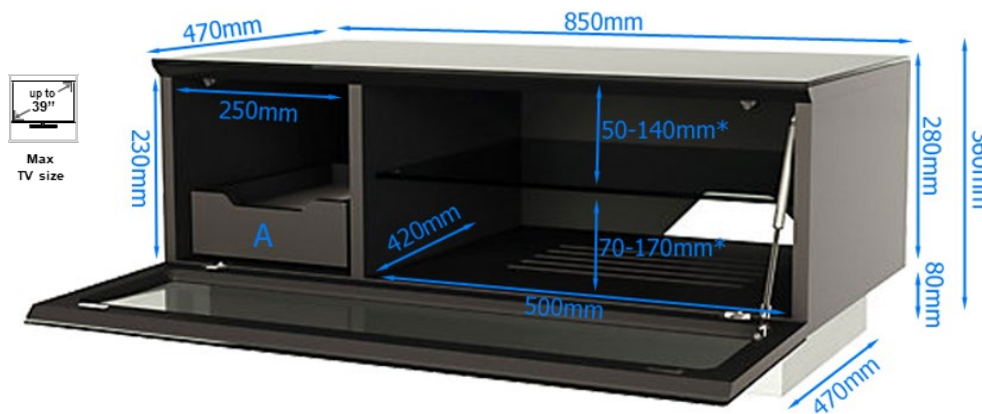
Black



Grey



White



### Internal Dimensions

A: W200 x H110 x D380 mm

\*Shelves are height adjustable

## SPECIFYING

Max screen size	40"
Maximum load (kg)	50
Shelf Load weights (mm)	15
Safety Glass thickness (mm)	6
Product Weight (kg)	30.5
Dims: H 360 x W 850 x D 470 (mm)	

## PACKAGING

Number of Boxes	1
Width (mm)	935
Height (mm)	245
Depth (mm)	570
Weight (kg)	33.3

EMTMOD850-BLK BLACK EAN: 5030752016863

EMTMOD850-GRY GREY EAN: 5030752017044

EMTMOD850-WHI WHITE EAN: 5030752017358

# • Element Modular 1250

**alphason**

Technical Sheet

## Main Features



Passive Ventilation



Adjustable Shelves



Tempered Glass



IR Friendly Glass



Cable Management



Modular Design

## Finishes



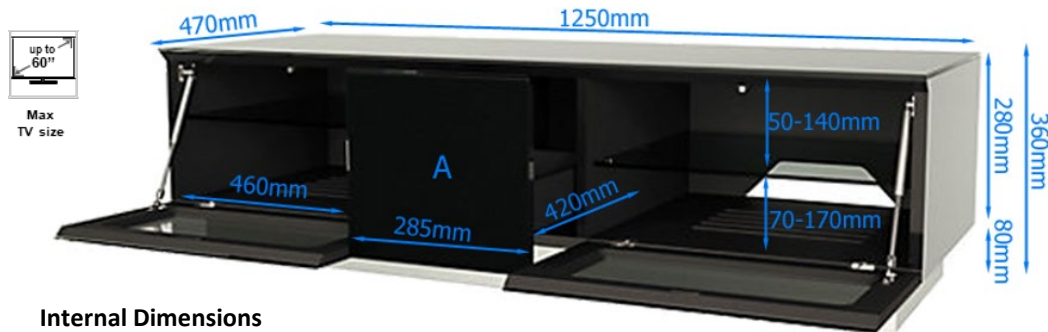
Black



Grey



White



### Internal Dimensions

A: W252 x H230 x D460 mm

\*Shelves are height adjustable

## SPECIFYING

Max screen size	60"
Maximum load (kg)	50
Shelf Load weights (mm)	15
Safety Glass thickness (mm)	6
Product Weight (kg)	46
Dims: H 360 x W 1250 x D 470 (mm)	

## PACKAGING

Number of Boxes	2
Width (mm)	Box1: 1340 Box2: 1340
Height (mm)	Box1: 130 Box2: 180
Depth (mm)	Box1: 560 Box2: 480
Weight (kg)	Box1: 34 Box2: 17

EMTMOD1250-BLK BLACK EAN: 5030752016870  
 EMTMOD1250-GRY GREY EAN: 5030752017051  
 EMTMOD1250-WHI WHITE EAN: 5030752017365

# • Element Modular 1700

alphason

Technical Sheet

## Main Features



Passive Ventilation



Adjustable Shelves



Tempered Glass



IR Friendly Glass



Cable Management



Modular Design

## Finishes



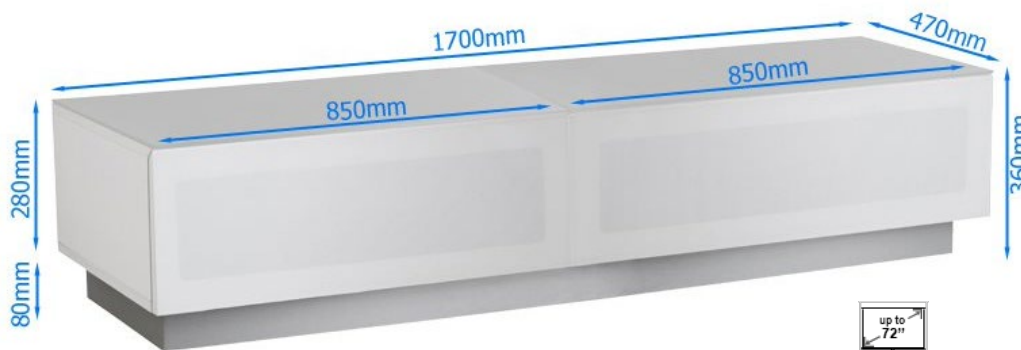
Black



Grey



White



Max TV size

## SPECIFYING

Max screen size	72"
Maximum load (kg)	80
Shelf Load weights (mm)	15
Safety Glass thickness (mm)	6
Product Weight (kg)	60.6
Dims: H 360 x W 1700 x D 470 (mm)	

## PACKAGING

Number of Boxes	2
Width (mm)	Box1: 935 Box2: 935
Height (mm)	Box1: 245 Box2: 245
Depth (mm)	Box1: 570 Box2: 570
Weight (kg)	Box1: 33.3 Box2: 33.3

EMTMOD1700-BLK BLACK EAN: 5030752017013  
EMTMOD1700-GRY GREY EAN: 5030752017075  
EMTMOD1700-WHI WHITE EAN: 5030752017372

# • Element Modular 2100

**alphason**

Technical Sheet

## Main Features



Passive Ventilation



Adjustable Shelves



Tempered Glass



IR Friendly Glass



Cable Management



Modular Design

## Finishes



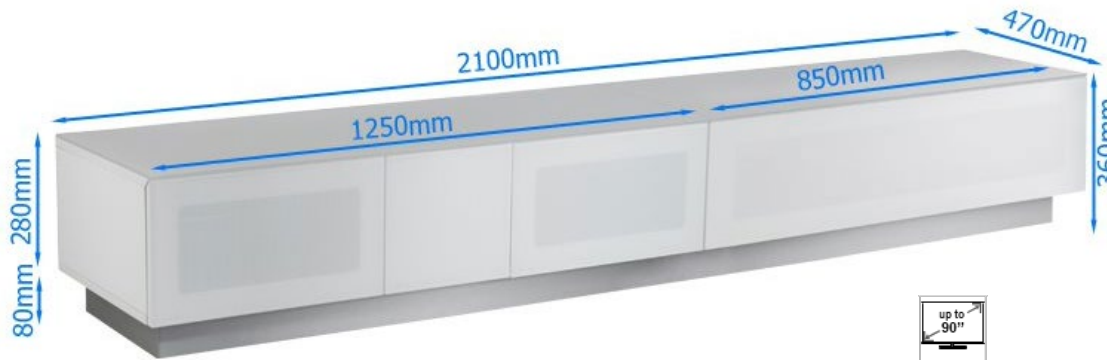
Black



Grey



White



Max TV size

## SPECIFYING

Max screen size	90"
Maximum load (kg)	90
Shelf Load weights (mm)	15
Safety Glass thickness (mm)	6
Product Weight (kg)	76.3
Dims: H 360 x W 2100 x D 470 (mm)	

## PACKAGING

Number of Boxes	3
Width (mm)	Box1: 935 Box2: 1340 Box3: 1340
Height (mm)	Box1: 245 Box2: 130 Box3: 180
Depth (mm)	Box1: 570 Box2: 560 Box3: 480
Weight (kg)	Box1: 33.3 Box2: 34 Box3: 17

EMTMOD2100-BLK BLACK EAN: 5030752017020  
EMTMOD2100-GRY GREY EAN: 5030752017082  
EMTMOD2100-WHI WHITE EAN: 5030752017389

# • Element Modular 2500

## Main Features



Passive Ventilation



Adjustable Shelves



Tempered Glass



IR Friendly Glass



Cable Management



Modular Design

## Finishes



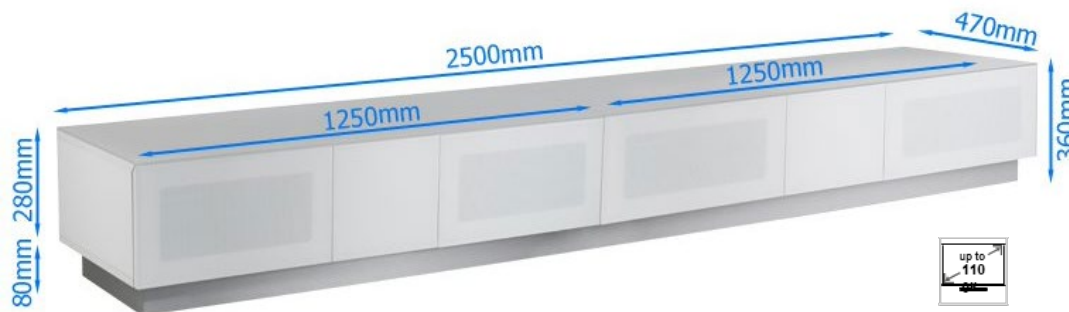
Black



Grey



White



Max TV size

## SPECIFYING

Max screen size	110"
Maximum load (kg)	100
Shelf Load weights (mm)	15
Safety Glass thickness (mm)	6
Product Weight (kg)	92
Dims: H 360 x W 2500 x D 470 (mm)	

## PACKAGING

Number of Boxes	4
Width (mm)	Box1: 1340 Box2: 1340 Box3: 1340 Box4: 1340
Height (mm)	Box1: 130 Box2: 180 Box3: 130 Box4: 180
Depth (mm)	Box1: 560 Box2: 480 Box3: 560 Box4: 480
Weight (kg)	Box1: 34 Box2: 17 Box3: 34 Box4: 17

EMTMOD2500-BLK BLACK EAN: 5030752017037  
 EMTMOD2500-GRY GREY EAN: 5030752017099  
 EMTMOD2500-WHI WHITE EAN: 5030752017396

# • Element XL 1250

alphason

Technical Sheet

## Main Features



Passive Ventilation



Adjustable Shelves



Tempered Glass



IR Friendly Glass



Cable Management



Modular Design

## Finishes



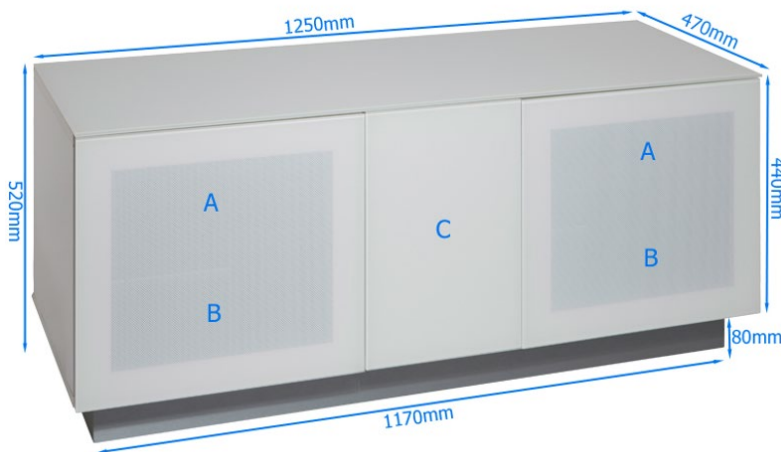
Black



Grey



White



### Internal Dimensions

A: W460 x H170 x D450 mm

B: W460 x H220 x D450 mm

C: W280 x H395 x D450 mm

\*Shelves are height adjustable



Max TV size

## SPECIFYING

Max screen size 60"

Maximum load (kg) 50

Shelf Load weights (mm) 25

Safety Glass thickness (mm) 6

Product Weight (kg) 53

Dims: H 520 x W 1250 x D 470 (mm)

## PACKAGING

Number of Boxes 2

Width (mm) Box1: 1365 Box2: 510

Height (mm) Box1: 170 Box2: 240

Depth (mm) Box1: 573 Box2: 510

Weight (kg) Box1: 30.4 Box2: 26.6

EMT1250XL-BLK BLACK EAN: 5030752018966  
EMT1250XL-GRY GREY EAN: 5030752019000  
EMT1250XL-WHI WHITE EAN: 5030752018980

# • Element XL 2500

alphason

Technical Sheet

## Main Features



Passive Ventilation



Adjustable Shelves



Tempered Glass



IR Friendly Glass



Cable Management



Modular Design

## Finishes



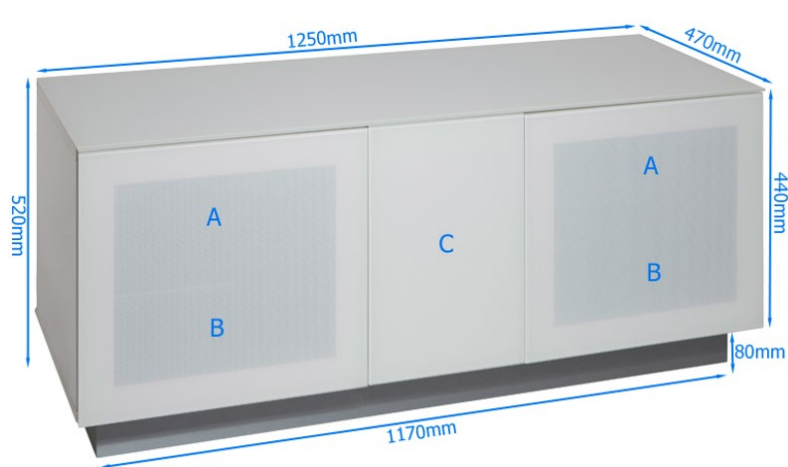
Black



Grey



White



X 2



Max TV size

## SPECIFYING

Max screen size	110"
Maximum load (kg)	100
Shelf Load weights (mm)	15
Safety Glass thickness (mm)	6
Product Weight (kg)	106
Dims: H 530 x W 2500 x D 470 (mm)	

## PACKAGING

Number of Boxes	4
Width (mm)	Box1: 1365 Box2: 510 Box3: 1365 Box4: 510
Height (mm)	Box1: 170 Box2: 240 Box3: 170 Box4: 240
Depth (mm)	Box1: 573 Box2: 510 Box3: 573 Box4: 510
Weight (kg)	Box1: 30.4 Box2: 26.6 Box3: 30.4 Box4: 1 26.6

EMT2500XL-BLK BLACK EAN: 5060669114642  
 EMT2500XL-GRY GREY EAN: 5060669114659  
 EMT1250XL-WHI WHITE EAN: 5060669114666

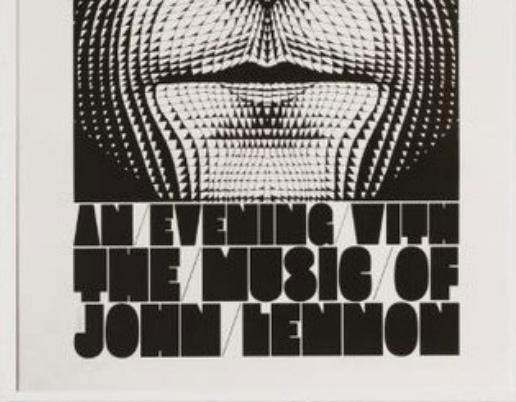


## • Element Turntable Stand

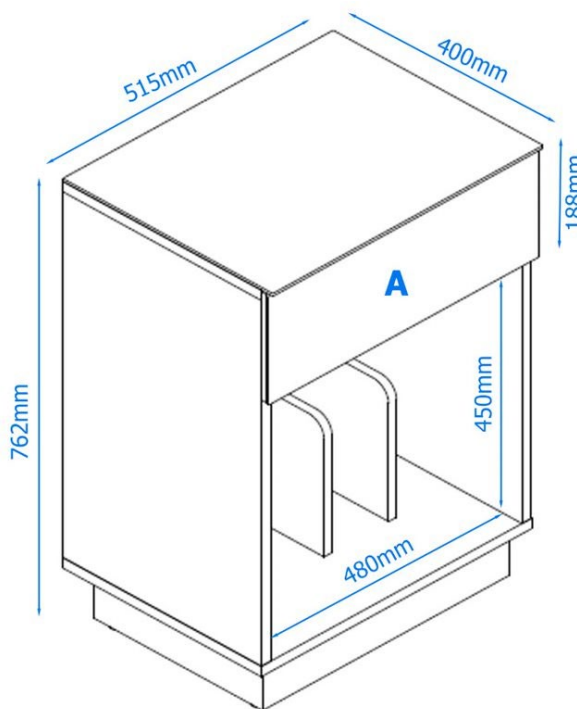
The Alphason Element Turntable Stand - Give your entertainment space a contemporary feel! Inspired by modern Scandic design, the sturdy Element Turntable Stand showcases a gorgeous laminated finish with glass top and drawer front. The Stand is the perfect size to place your record player and the open cubby, featuring high gloss metal dividers, offers plenty of options to keep your treasured albums organized. There is even a handy drawer to keep your vinyl collection accessories tidy. Available in 3 finishes - Black, Grey and White the Element Turntable Stand is easily assembled and ships flat to your door.



- Turntable stand with vinyl
- Part of the Element AV Range
- Large media drawer
- High gloss PVC finish with polished metal dividers
- Constructed from particleboard & metal & ships flat to your door.



# • Element Turntable Stand



**Internal Dims**  
A - H95 x W422 x D285 mm

**Finishes**



Black



Grey



White

**SPECIFYING**

Max screen size	N/A
Maximum load (kg)	50
Shelf/Drawer Load weights (mm)	20
Safety Glass thickness (mm)	5
Product Weight (kg)	24.3
Dims: H 762 x W 515 x D 400 (mm)	

**PACKAGING**

Number of Boxes	1
Width (mm)	475
Height (mm)	265
Depth (mm)	745
Weight (kg)	26.32

**ATTS1301 BLACK EAN: 5060669119678**  
**ATTS1302 GREY EAN: 5060669119685**  
**ATTS1303 WHITE EAN: 5060669119692**