

# Chromium Concept

## CRO2-1200CPT-

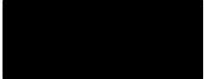
### Design Highlights

- Speaker mesh covered door, allowing for sound and IR to pass unimpeded
- High gloss enclosed cabinet with matching glass
- Large soundbar shelf designed to fit most models
- Two large storage compartment for AV equipment
- Soft opening IR friendly glass door with magnetic catch
- Stylish steel frame with plastic feet to protect flooring
- Passive ventilation on underside with cable management at rear of the stand
- EAN – Black: 5030752020006  
Grey: 5030752020013  
White: 5030752020020

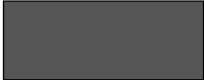


Combining the signature look of the Chromium range with modern audio practicality, the Chromium Concept allows you to maintain a minimalistic style without impeding your audio quality. Featuring a speaker mesh covered door, the Concept seamlessly integrates audio and AV equipment into your home without compromising on design.

Black



Grey



White



- Max 30kg
- IR Friendly
- Cable Management
- Ventilation
- Tempered Glass

[www.alphasondesigns.com](http://www.alphasondesigns.com)

[CSEurope@Dorel.com](mailto:CSEurope@Dorel.com)

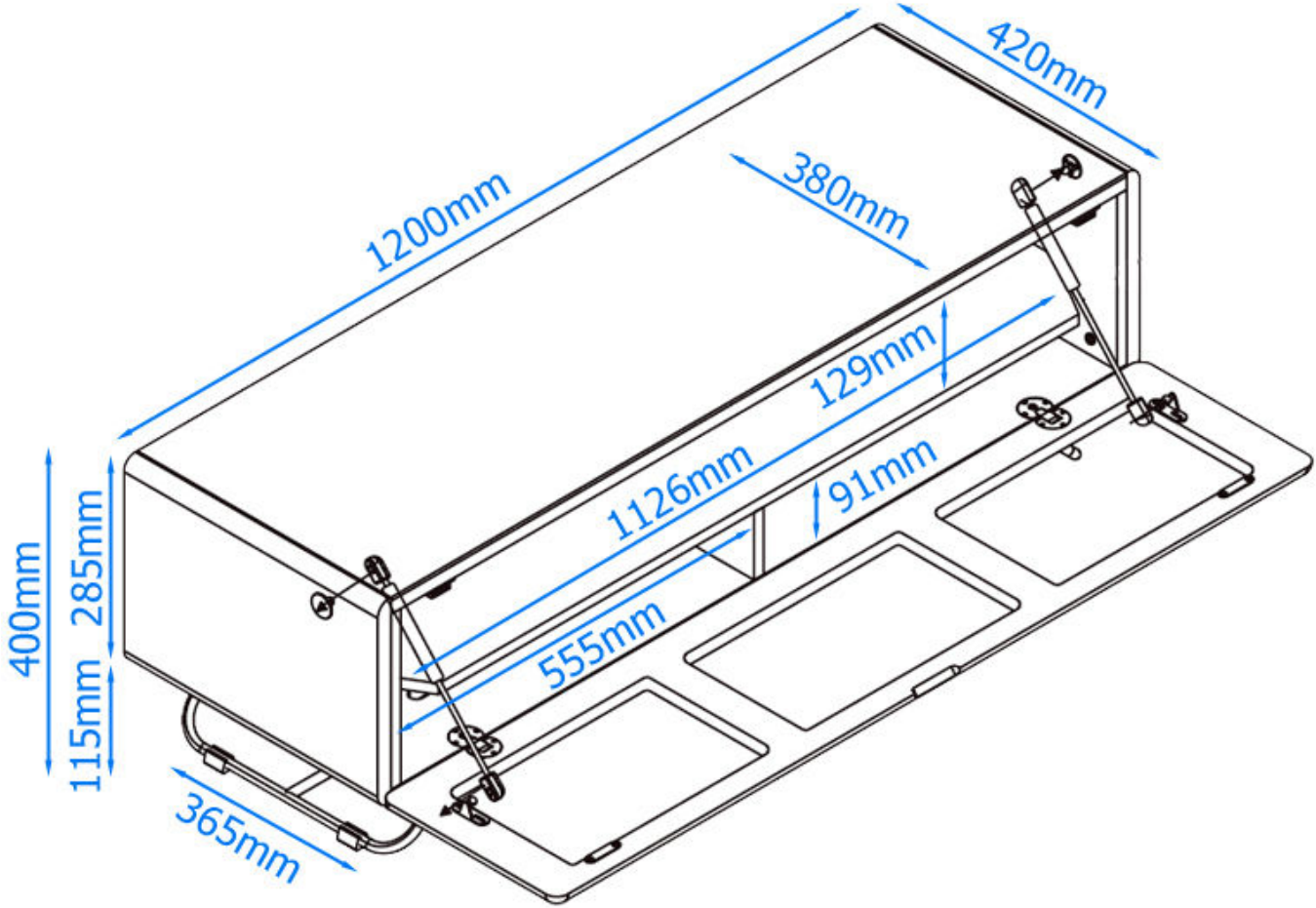
01942 524100

Dorel Home Furnishings Europe Ltd, 244 Swan Lane, Hindley Green, Wigan, UK, WN2 4EY



# Chromium Concept

## CRO2-1200CPT-



SPECIFYING	
Max screen size (mm)	50"
Maximum load (kg)	30
Shelf load weights (kg)	Top: 25 Bot.: 25
Safety glass thickness (mm)	6
Product Weight (kg)	32
Dims: H 400 x W 1200 x D 420 (mm)	

PACKAGING	
Number of Boxes	1
Width (mm)	1325
Height (mm)	510
Depth (mm)	210
Weight (kg)	32.5