

*Premier*  
**NXT || GEN**

**PRACTICE MARIMBA,  
3.0 OCTAVE**

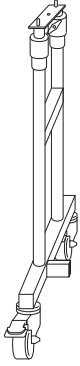
*PNG-OM3.0*

*SETUP GUIDE*

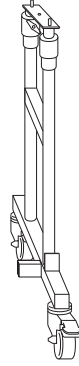


## PARTS

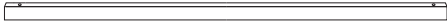
**A** x1



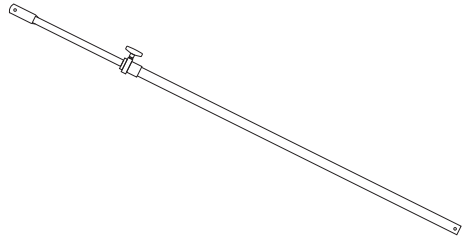
**B** x1



**C** x1



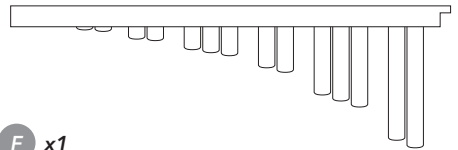
**D** x1



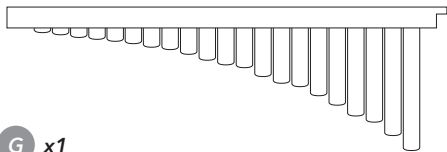
**E** x1



**F** x1



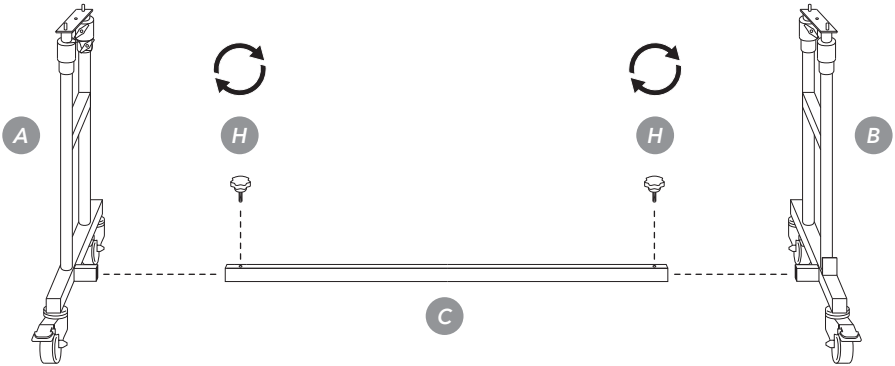
**G** x1



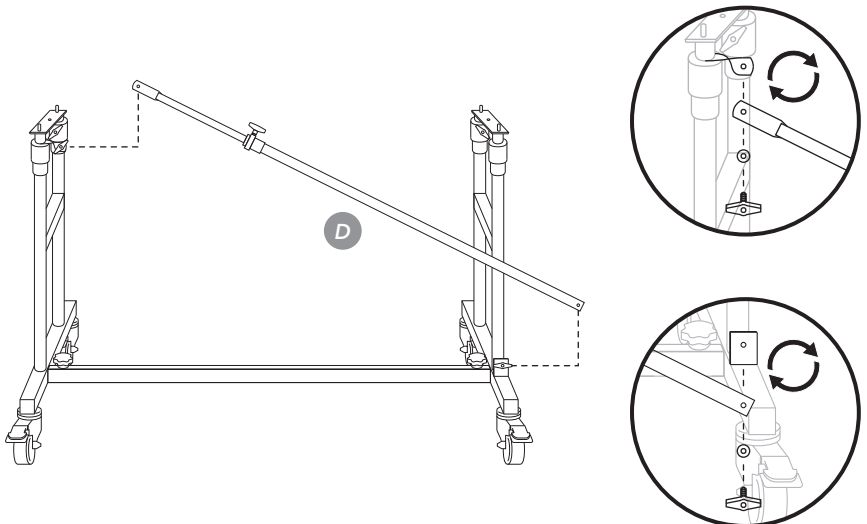
**H** x4

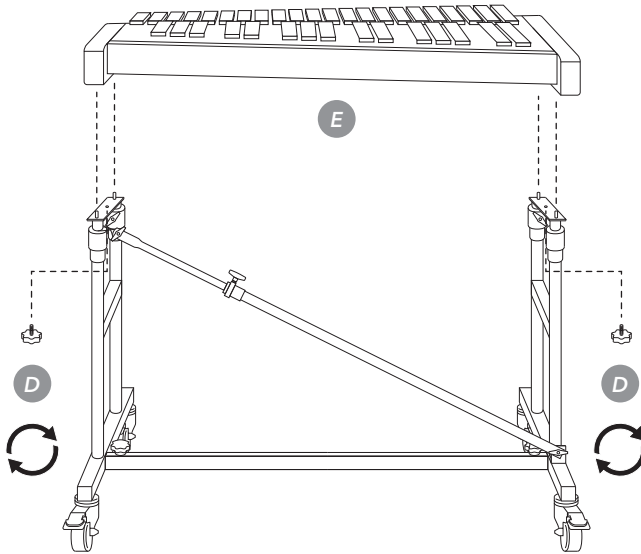
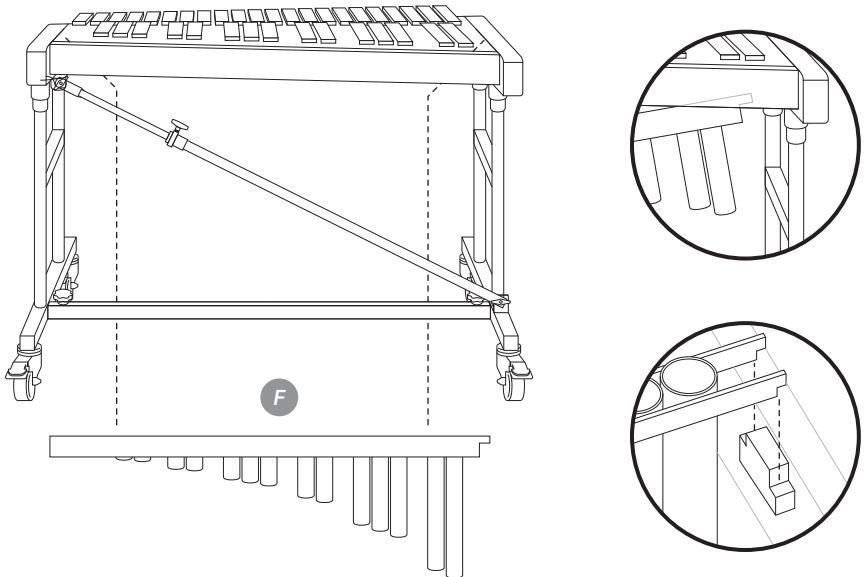


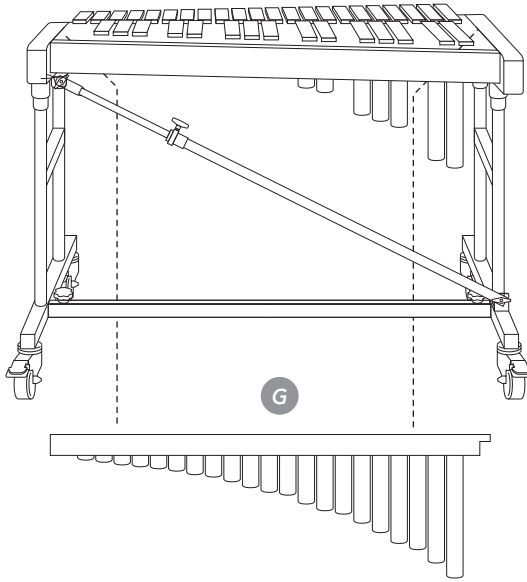
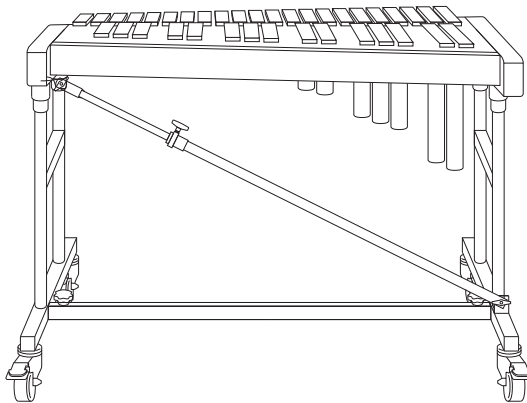
## STEP 1



## STEP 2



**STEP 3****STEP 4**

**STEP 5****STEP 6**



*Premier*  
**NXT || GEN**

*If you have any more questions about this product, please do not hesitate to contact the Gear4music Customer Service Team on: +44 (0) 330 365 4444 or [info@gear4music.com](mailto:info@gear4music.com)*

KETTLESTRING LANE | YORK | YO30 4XF | UNITED KINGDOM  
LAHNSTRASSE 27 | 45478 MÜLHEIM AN DER RUHR | DEUTSCHLAND  
[WWW.GEAR4MUSIC.COM](http://WWW.GEAR4MUSIC.COM)