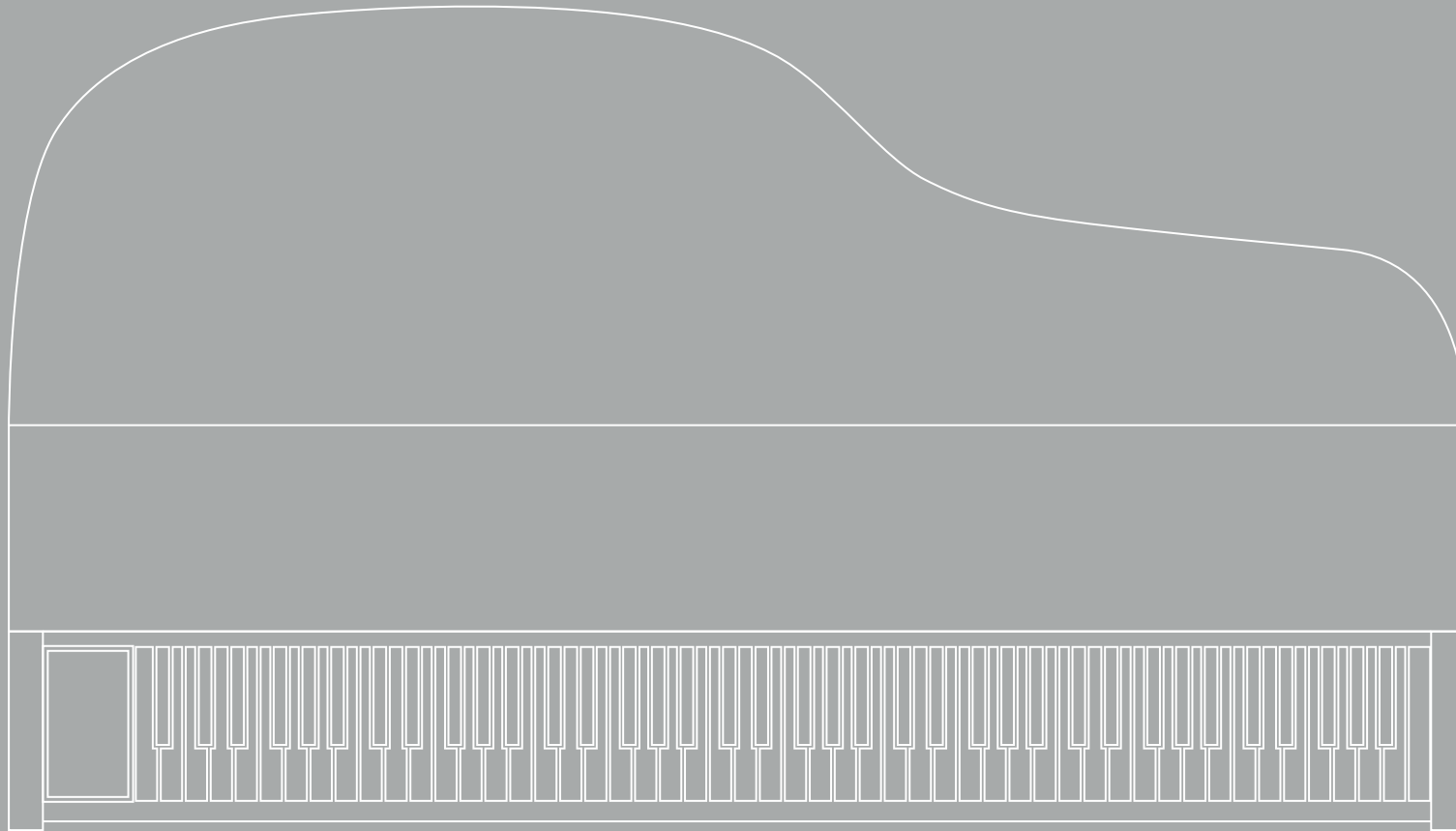


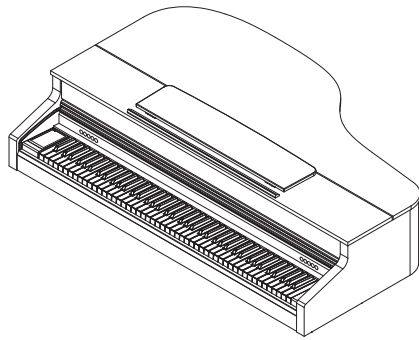
G-SONORI-G-GB



**DIGITAL PIANO**  
Setup Guide

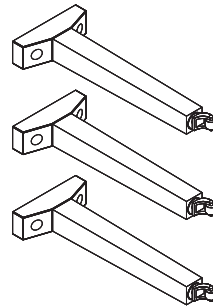
# Contents Checklist

1



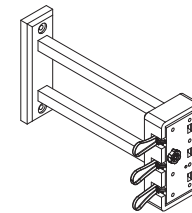
KEYBED

2



LEGS X3

3



PEDALUNIT

4



PEDALUNITRODS X2

A



BOLT X8

M12X50MM

B



WASHER X8

# Contents Checklist

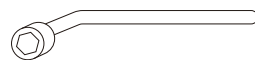
C



SCREW X8

M4 X 12MM

D



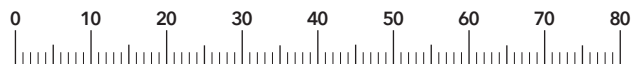
SPANNER

TOOLS REQUIRED

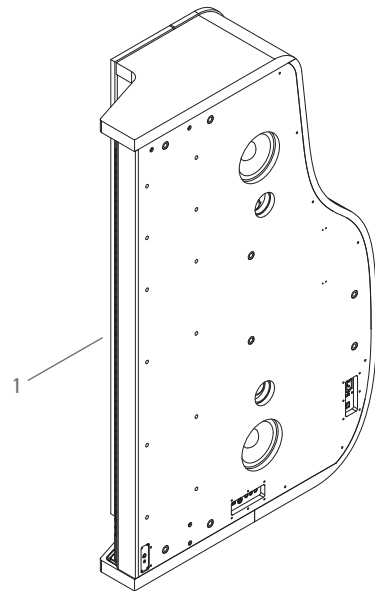


SCREWDRIVER

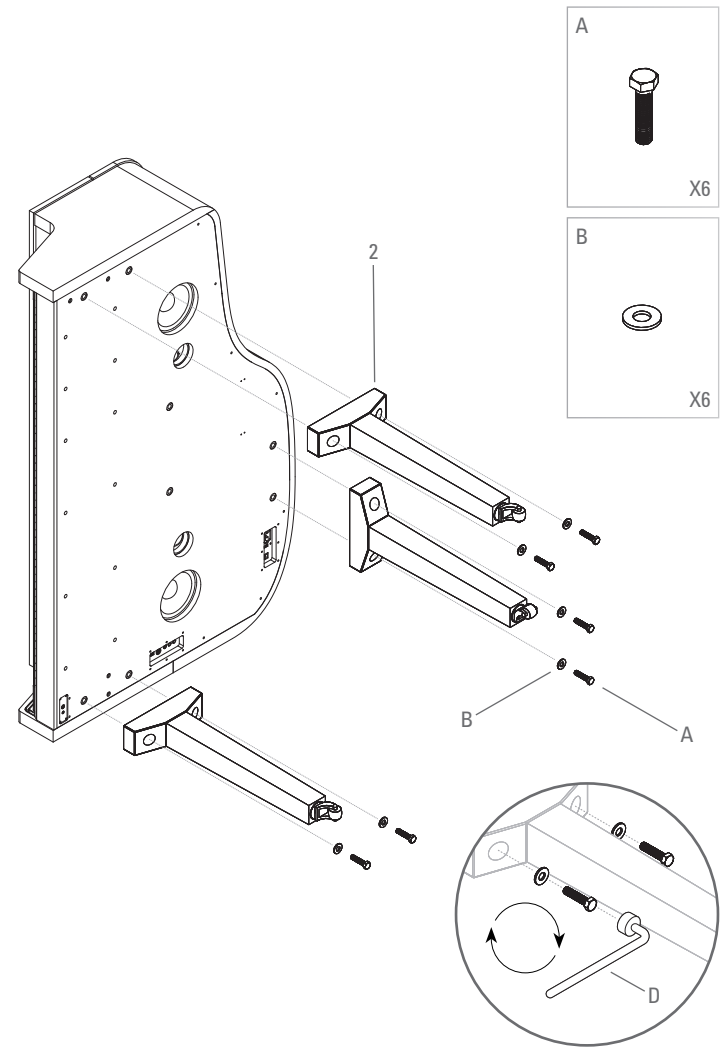
MEASURING GUIDE



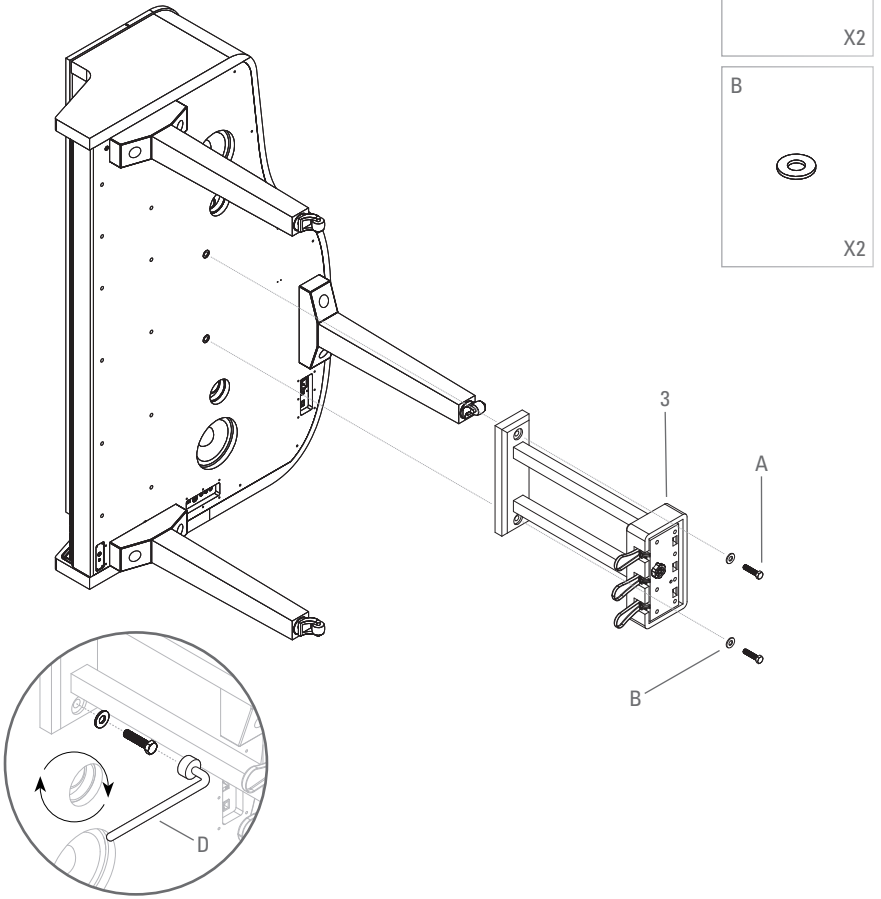
STEP 1



STEP 2

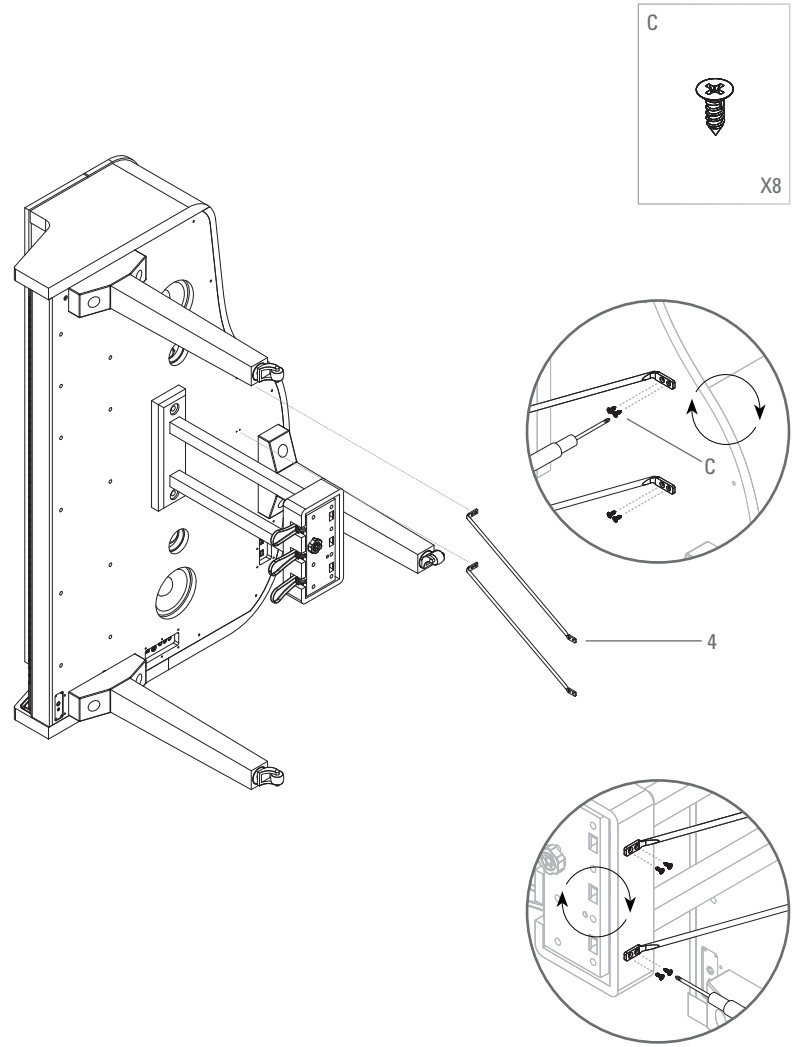


STEP 3



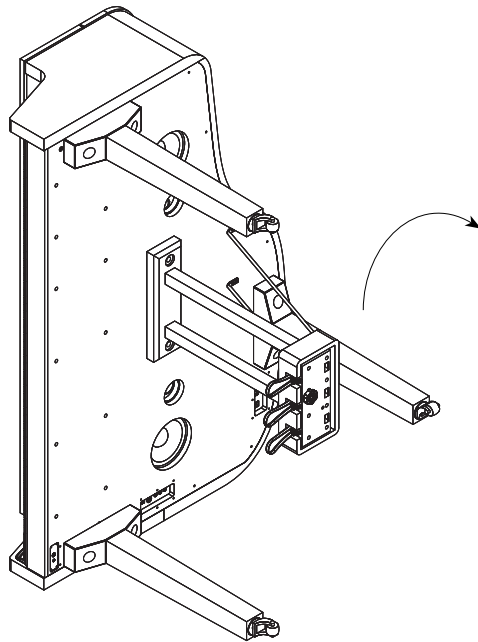
- A  
X2
- B  
X2

STEP 4



- C  
X8

STEP 5



LIFT WITH CAUTION  
TO AVOID DAMAGE  
TO THE LEGS!



STEP 6

