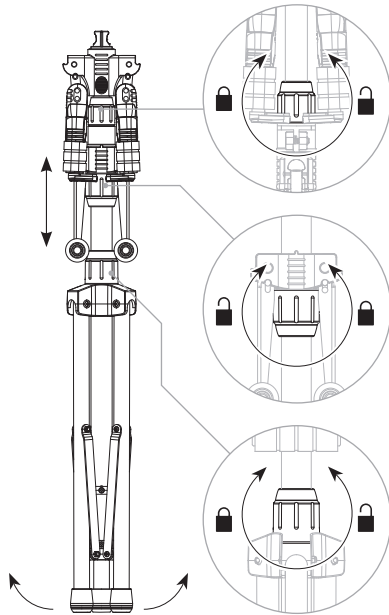


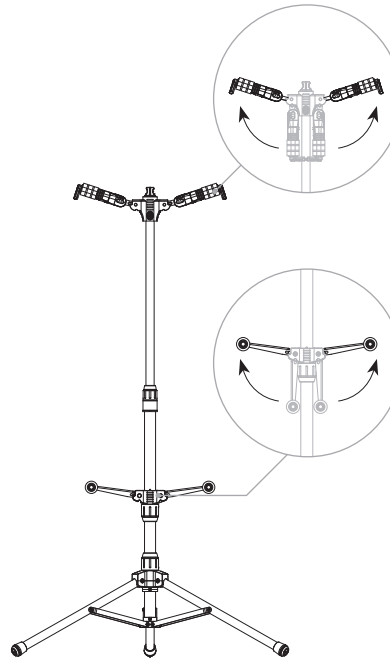
Double Guitar Stand

Thank you for purchasing the G-GS-2 Double Guitar Stand. To get the most out of your product, please follow this guide carefully.

STEP 1



STEP 2



STEP 3

