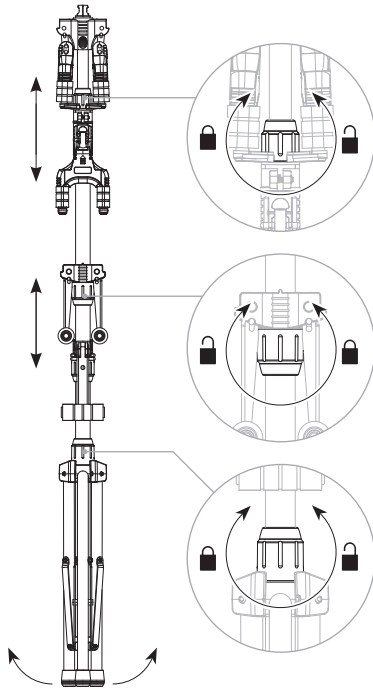


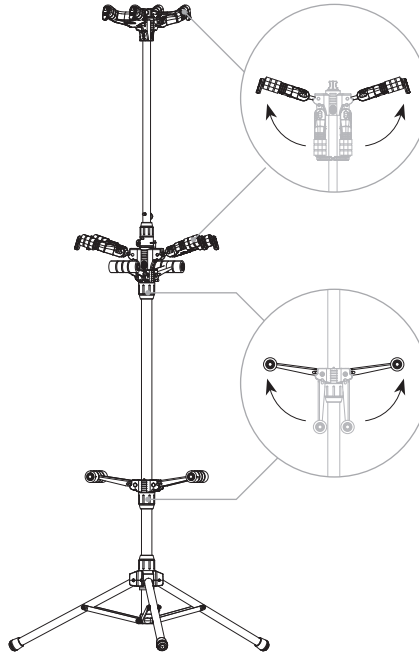
# Quad Guitar Stand

Thank you for purchasing the G-GS-4 Quad Guitar Stand. To get the most out of your product, please follow this guide carefully.

## STEP 1



## STEP 2



## STEP 3

