

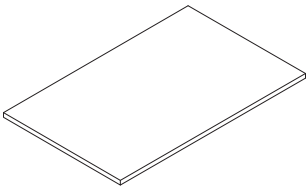
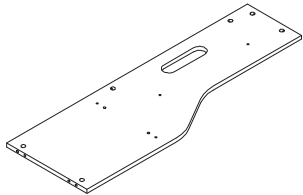
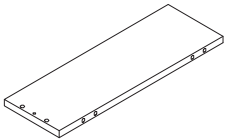
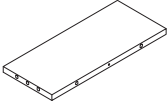
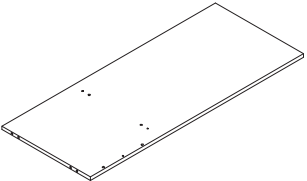
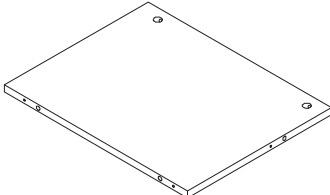
Record Collectors Unit

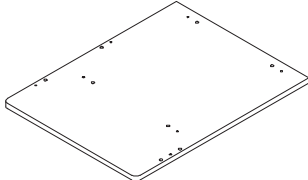
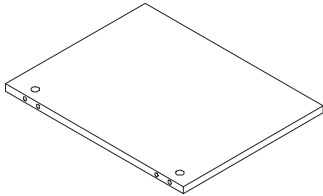
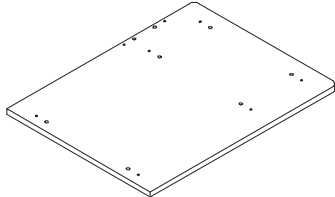
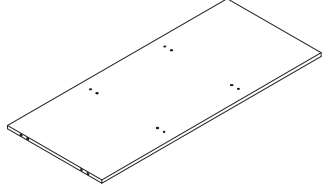
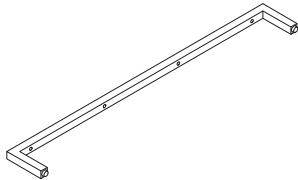
AC-RCU

Parts Checklist

AC-RCU



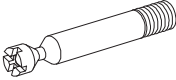

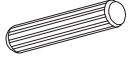
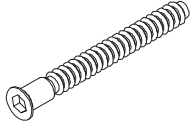
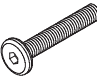

PART	DESCRIPTION	QTY
A		1
B		1
C		1
D		1
E		1
F		2


PART	DESCRIPTION	QTY
G		1
H		1
I		1
J		1
K		2

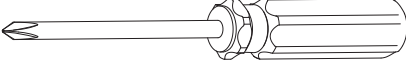

Small Parts Checklist

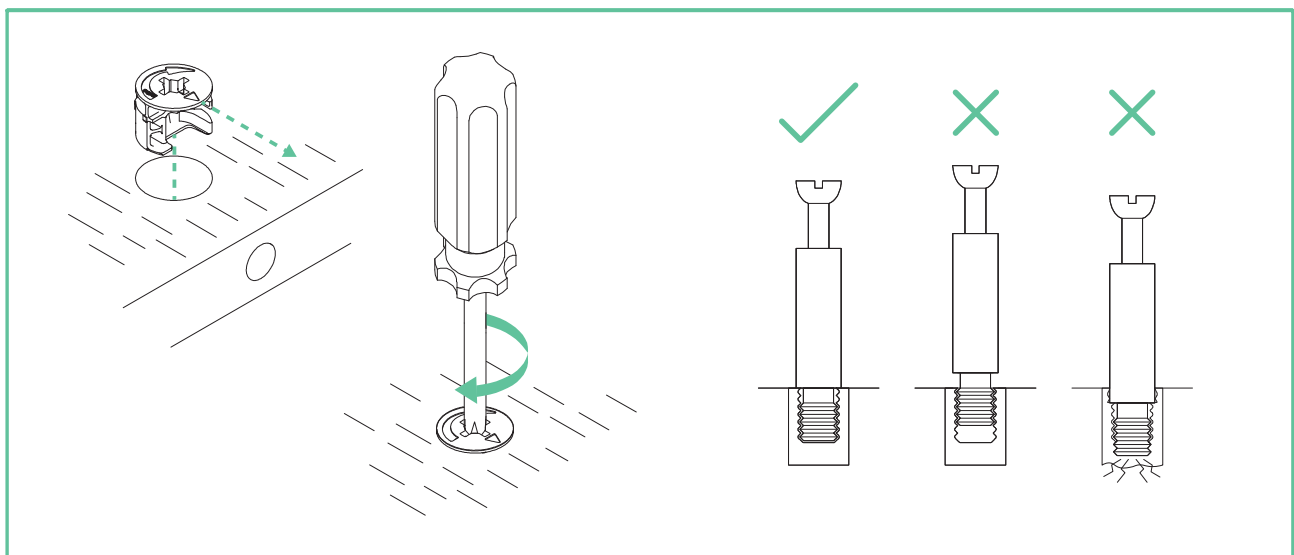
AC-RCU



PART	DESCRIPTION	QTY
1		26
2		26
3		36
4		9
5		8
6		15

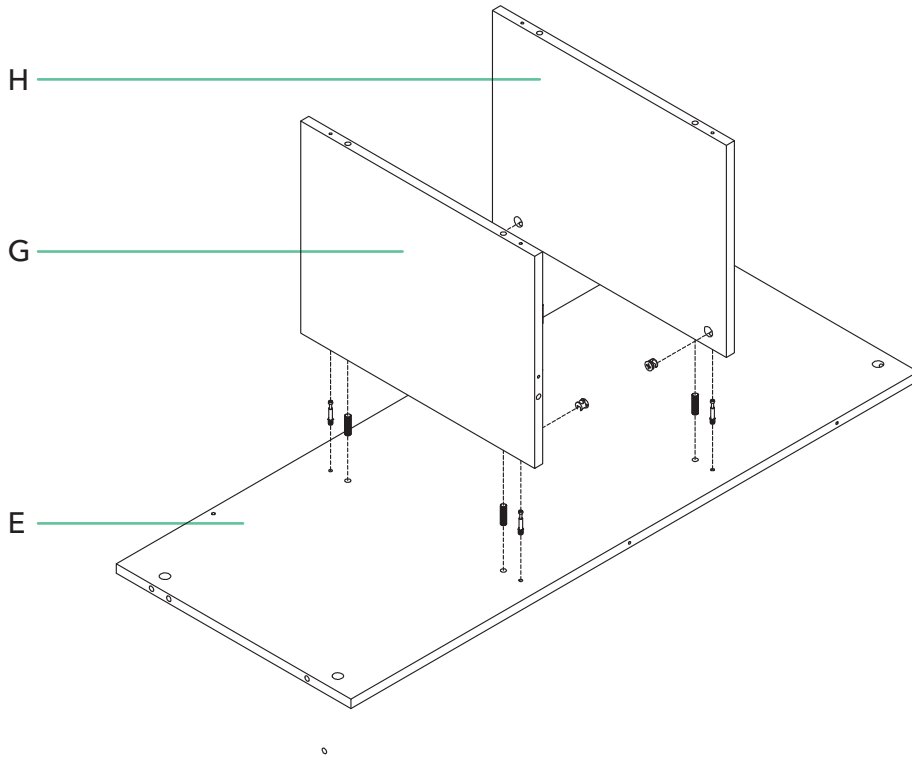
PART	DESCRIPTION	QTY
7		4

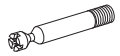


TOOLS NEEDED



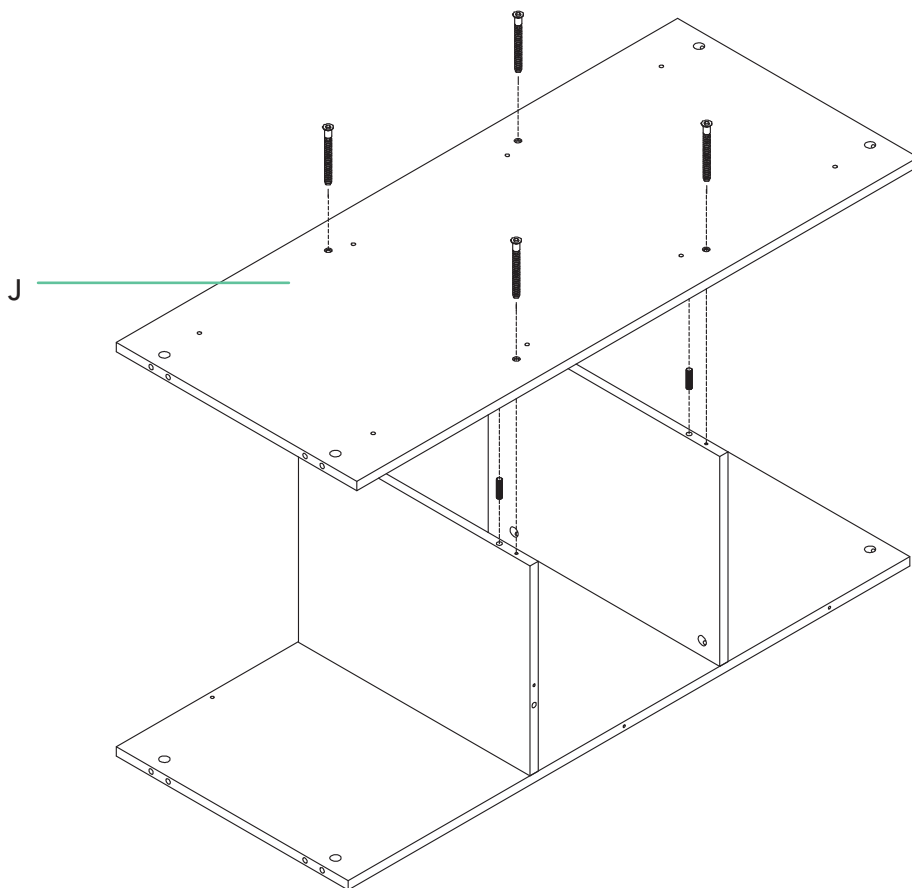




Step 1

AC-RCU



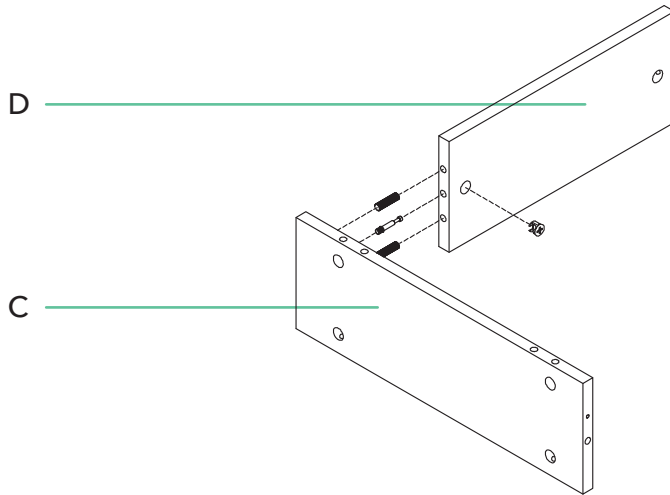
PART	DESCRIPTION	QTY
1		4
2		4
3		4

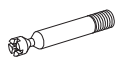

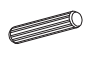


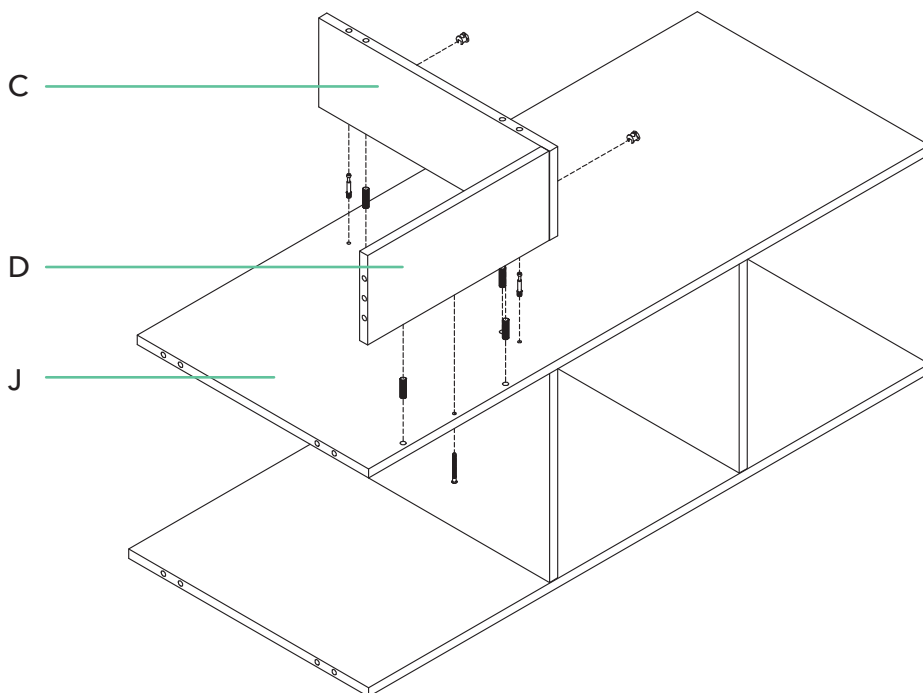
PART	DESCRIPTION	QTY
3		4
4		4

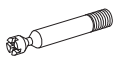

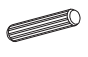

Step 2

AC-RCU



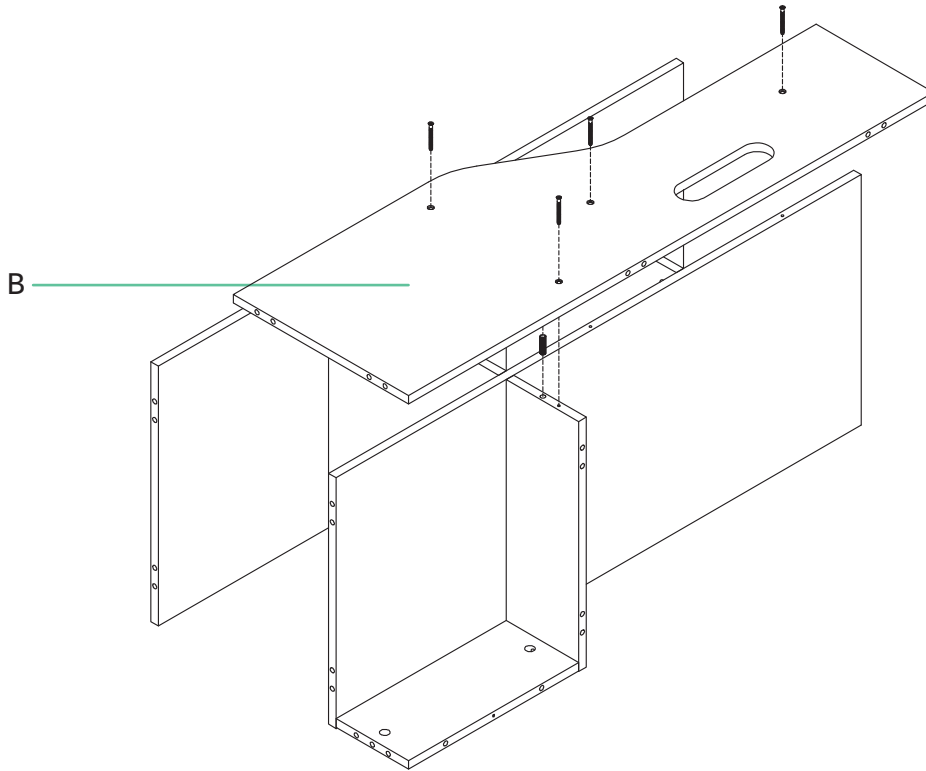
PART	DESCRIPTION	QTY
1		1
2		1
3		2





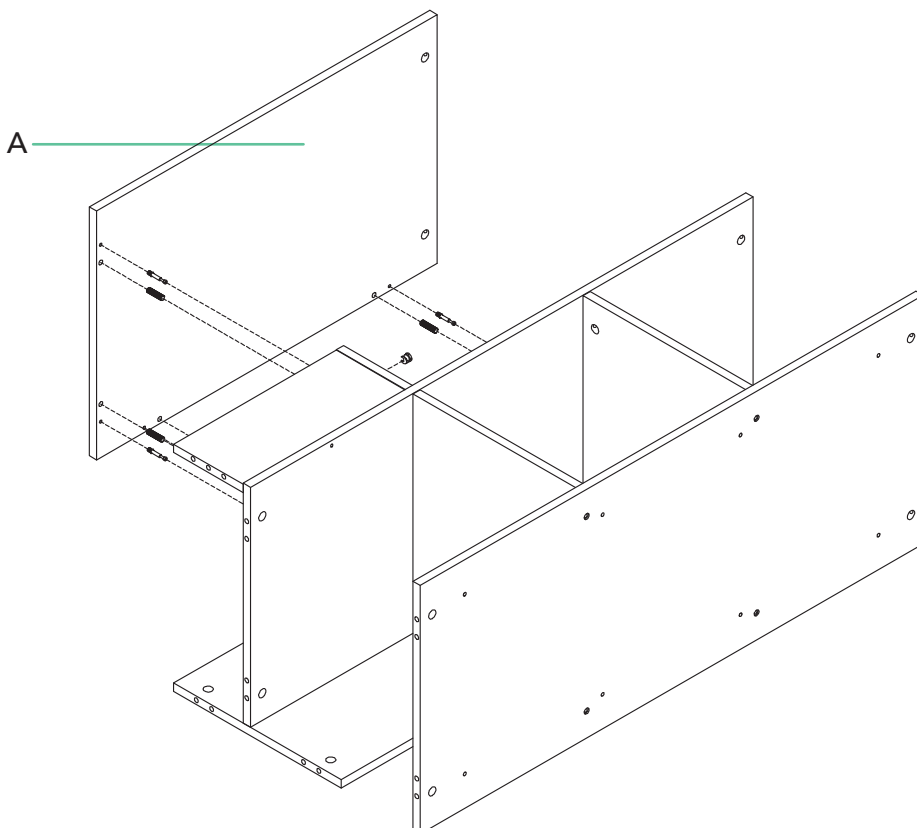
PART	DESCRIPTION	QTY
1		2
2		2
3		4
4		1

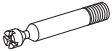


Step 3

AC-RCU



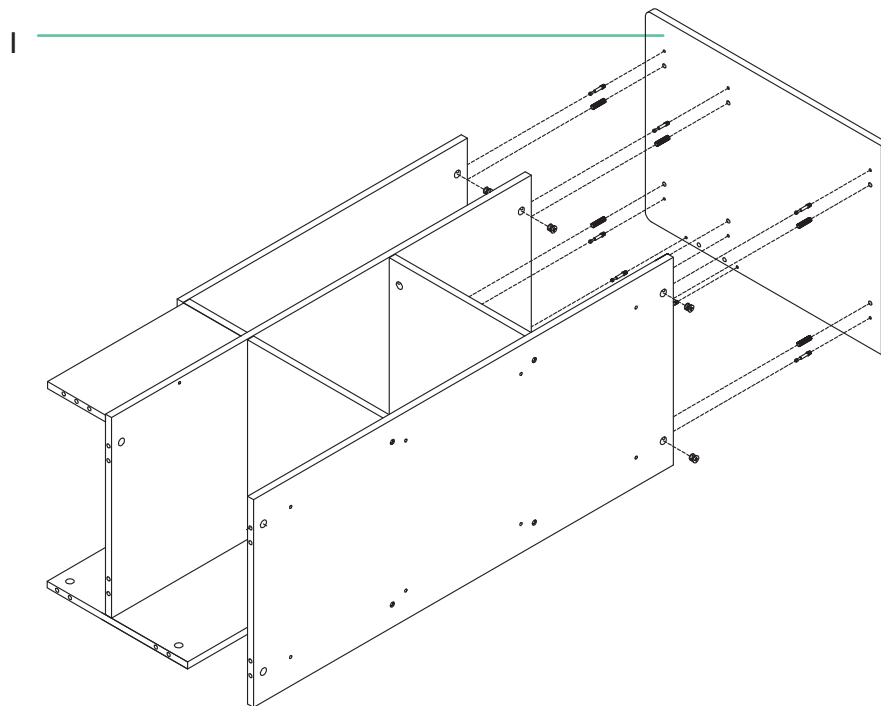
PART	DESCRIPTION	QTY
3		2
4		4

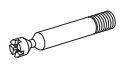




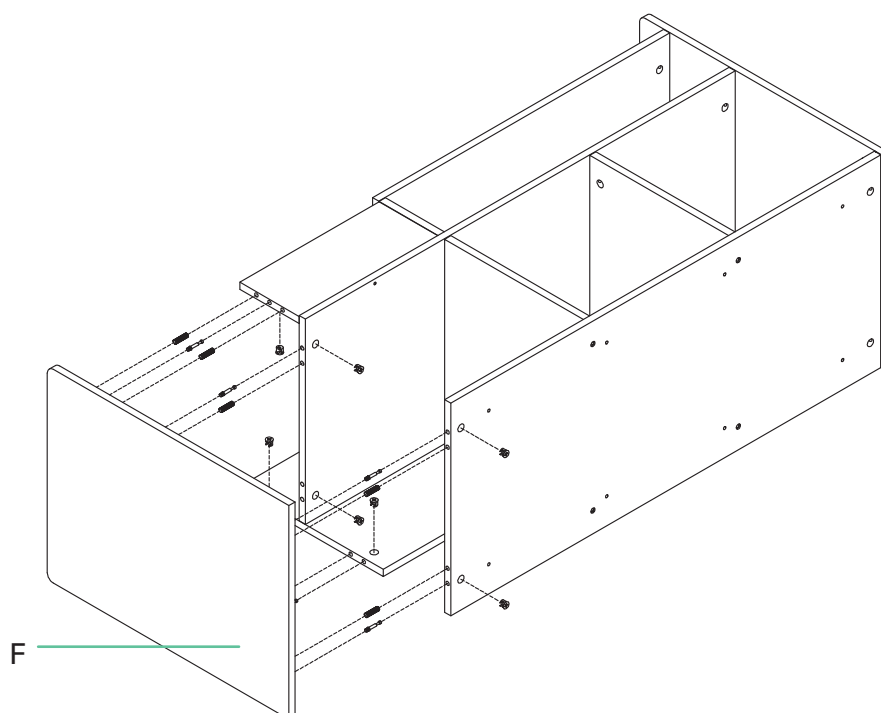
PART	DESCRIPTION	QTY
1		4
2		4
3		4

Step 4

AC-RCU



PART	DESCRIPTION	QTY
1		8
2		8
3		8



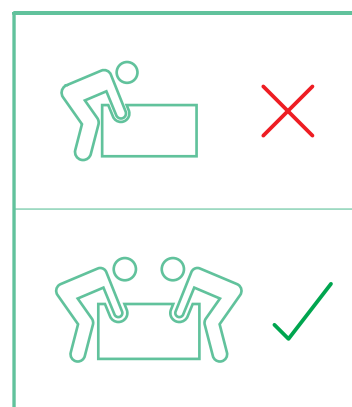
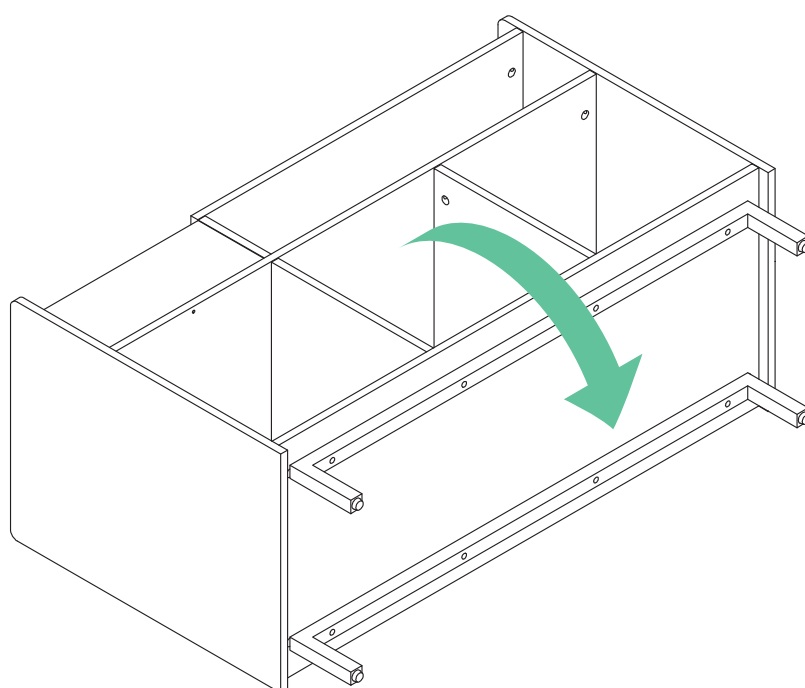
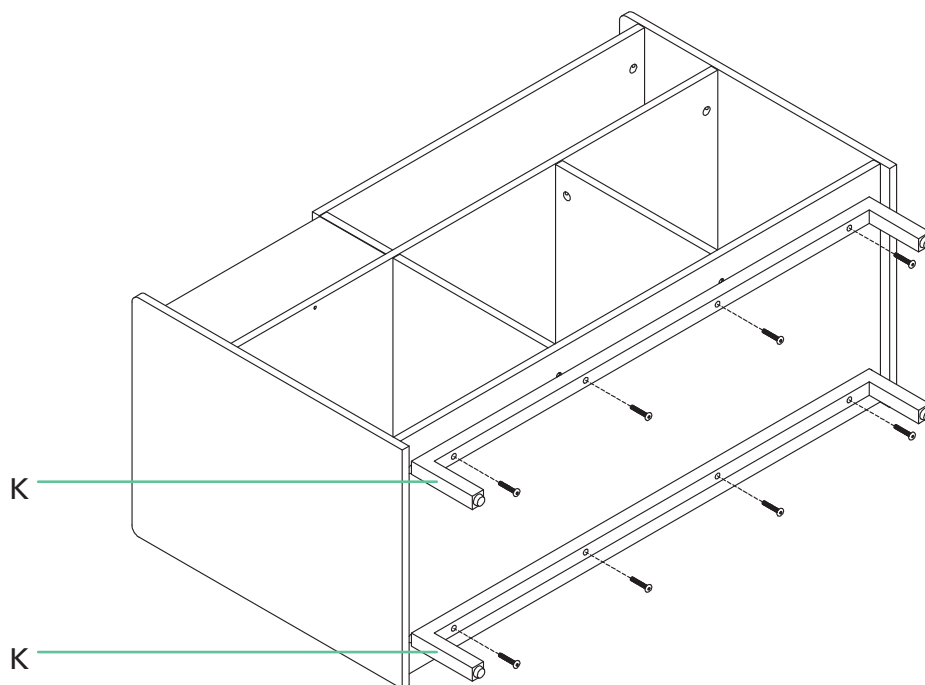
PART	DESCRIPTION	QTY
1		7
2		7
3		8

Step 5

AC-RCU




PART	DESCRIPTION	QTY
5		8

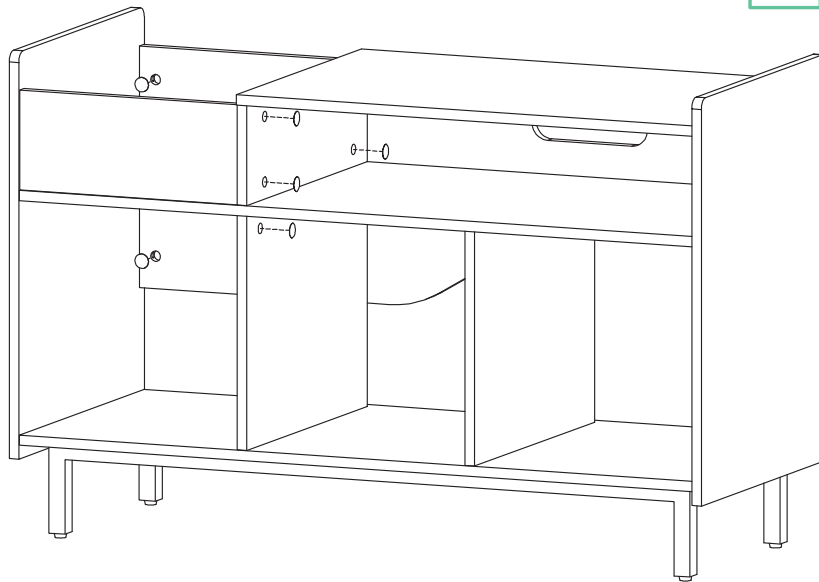


Step 6

AC-RCU



PART	DESCRIPTION	QTY
6		15



www.av.com

Unit 4 The Sidings | New Line Industrial Estate | Bacup | OL13 9RW
Kettlestring Lane | York | YO30 4XF | United Kingdom
Lahnstraße 27 | 45478 Mülheim An Der Ruhr | Deutschland

if you have any more questions about this product, please do not hesitate to contact the Gear4music customer service team on: +44 (0) 330 365 4444 or info@gear4music.com