

D100 Bookshelf Speakers

User Manual

MAJORITY

HOME AUDIO • CAMBRIDGE

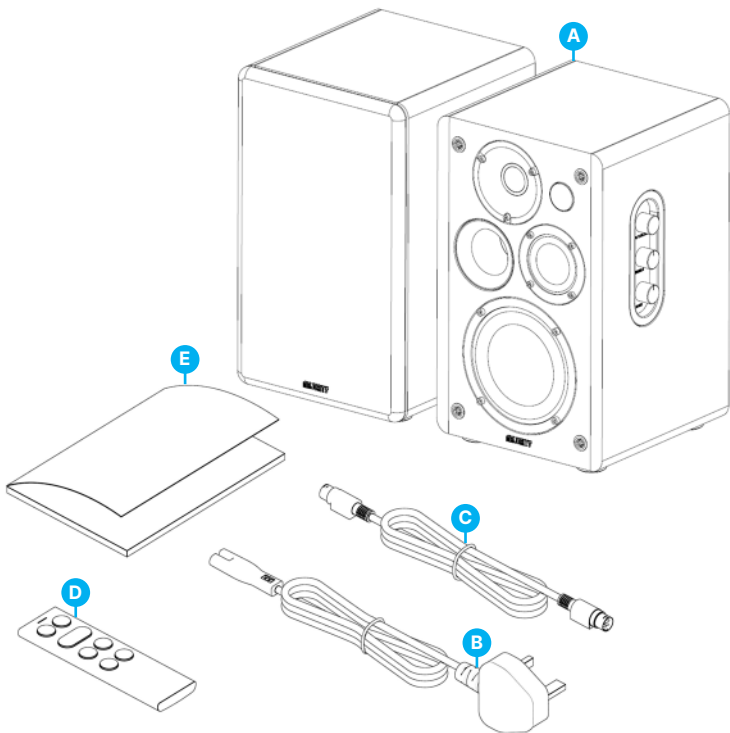
What's In the Box?.....	3
Controls And Functions.....	4
Instructions Guide.....	
Basic Operation.....	8
Bluetooth Mode.....	10
USB Port Usage.....	11
HDMI ARC Input.....	12
Optical & Phono Input.....	13
Audio Input.....	14
Troubleshooting & Support.....	15
Product Specifications.....	16
Warranty.....	16
Safety Information.....	17

3 year
Warranty

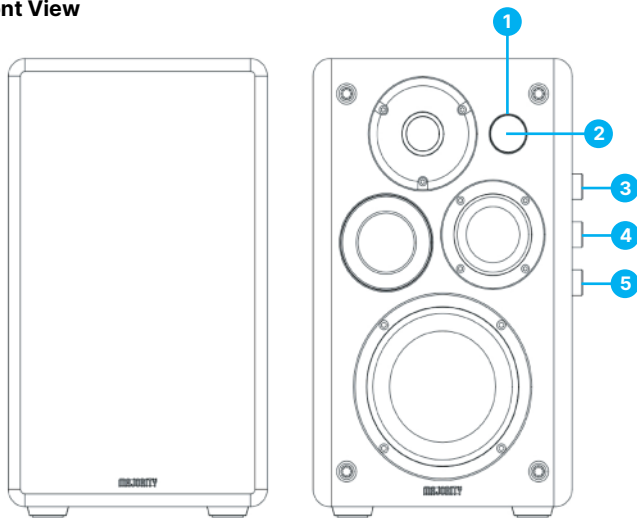
Register your product online for a FREE 3 year
extended warranty at: www.majority.co.uk

What's in the Box?

- A. Majority D100 speakers
- B. Power Cable
- C. Speakers connecting cable
- D. Remote Control
- E. User Manual



Front View



1. Power/ Standby LED Light Indicator.

- The red light indicates that the speakers are in Standby Mode.
- The green light indicates that the speakers are switched on (working mode).

2. Remote Control Sensor

3. Input / Volume Knob

- Press to power on the speakers.
- Press and hold for 4-5 seconds to power off.
- Press to change the mode.
- Rotate to increase/decrease the volume.

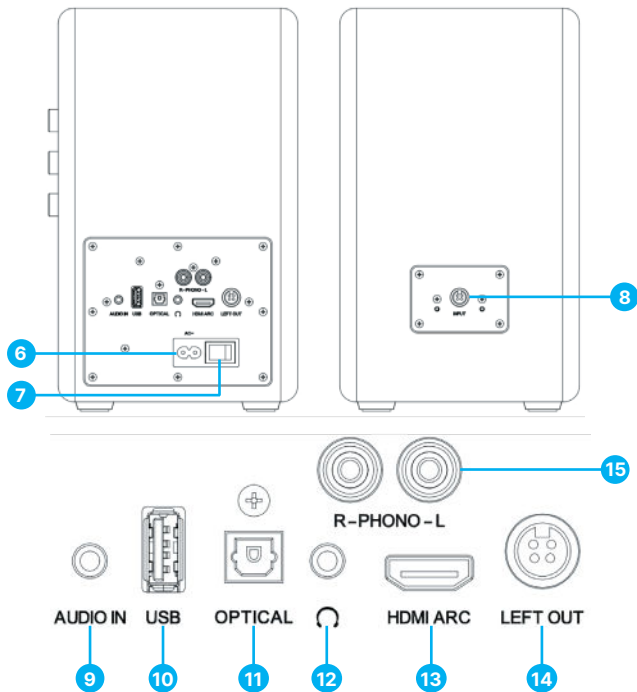
4. Treble Rotary Knob.

- Rotate to increase/decrease the treble.

5. Bass Rotary Knob.

- Rotate to increase/decrease the bass.

Back View



6. AC IN Port

7. Power switch

8. Speaker connecting Port

9. Audio Input

10. USB Port

11. Optical Input

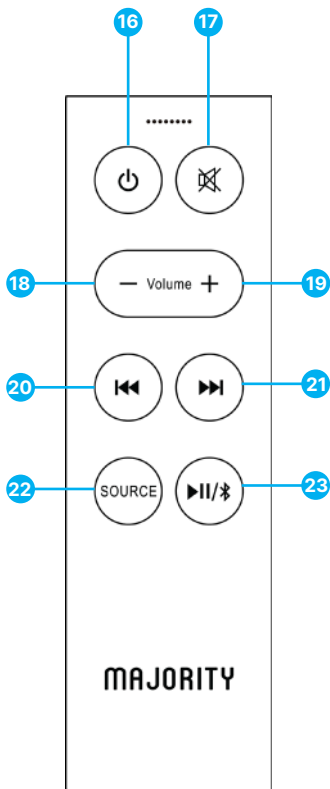
12. Headphone Socket

13. HDMI ARC Port

14. Connecting Port with the left speaker

15. Phono Input Port

PLEASE NOTE: The USB port is only to be used for playback from a USB stick or for charging a mobile phone using a USB cable (not included). See page.10 for details.

**16. Power ON/ Standby Mode****17. Mute**

- Press to mute or resume sound.
- Press and hold for 4-5 seconds to hear which mode the speakers are in.

18. Volume -**19. Volume +****20. 'Previous'**

- Press to skip and play previous track in Bluetooth or USB Mode.

21. 'Next'

- Press to skip and select the next track in Bluetooth and USB Mode.

22. Source (Mode).

- Press to change the source/ speaker's mode in between : BT-USB-AUDIO-PHONO-HDMI-OPTICAL

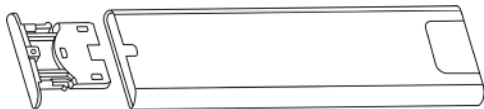
23. Play/Pause/BT

- Press to play or pause in Bluetooth and USB playback mode..
- Press and hold down for 2-4 seconds to activate Bluetooth pairing with other device while in Bluetooth Mode, or to disconnect from other paired devices.
- While in HDMI or Optical Mode press and hold for 4-5 seconds to change the sound volume to Level 1. Press and hold again to change to Level 2, and again for Level 3.

PLEASE NOTE: Levels 1, 2 & 3 represents small, medium and large volumes. These are only available when connecting via HDMI ARC or Optical.

Prepare your remote for usage.

Open the battery slot, position CR2032 the battery into its slot as per this diagram.



Remote Control Operational Range

The remote control sensor on the front of the unit is sensitive to the remote-control commands of up to a 5 metres distance and within a maximum of a 60° arc.

PLEASE NOTE: The operating distance may vary depending on the brightness of the room.



PLEASE NOTE: The instructions within this user manual will refer to the D100's button number on the main speaker e.g. (Ref. 'number') and to the remote control buttons e.g. (Rem. 'number'), in accordance with the diagrams from pages 4-6.

Remove all packaging and prepare the D100 Speakers for your set-up. Connect both speakers together using the connecting cable, insert one end on the back of the left speaker (**Ref.8**) into the connecting port and the other end into the Speaker output port (**Ref.14**) on the back of the main speaker. Position the speakers on the left and right hand-side of the device you are about to connect with.

Using the power adaptor provided, plug one end into the AC IN power cable port - this can be found at the back of the primary speaker (**Ref.6**). Plug the other end into a mains socket.

Ensure all cables are properly connected before switching the Majority D100 Speakers on.

Power On/ Standby Mode

Ensure the switch button at the back of the main speaker is set to ON (**Ref.7**). When you connect the unit for the first time to the power supply, the unit will automatically switch on. Press the 'Power On/Standby' button on the remote control (**Rem.16**) or press and hold the 'Input/Volume' (**Ref.3**) on the unit to switch to Standby Mode, and the POWER indicator will show a red light.

Press the button 'Power On/Standby' on the remote control (**Rem.16**) or press the 'Input/ Volume' button on the unit again to switch the unit back on. The POWER indicator will show a green light to confirm it is switched on.

Disconnect the power supply if you want to switch OFF the unit completely.

Important Note

Majority D100 Speakers are equipped with an energy saving mode. If there is no activity/signal received from a connected device for up to 19 minutes, then the speakers will automatically switch to Standby Mode to save energy (ERP 2 standard).

If the volume level of the audio source connected with the speakers is set to minimum, the D100 might recognise this as 'No Audio Signal'. This will affect the capability of signal detection and can also lead to the unit automatically switching to Standby Mode. If this happens, please reactivate the audio signal transmission or increase the volume level on your audio source to resume playback.

Changing the audio play mode

Press the 'Source' button on the remote control (**Rem.22**) repeatedly to change the playing mode: BT-USB-AUDIO-PHONO-HDMI ARC-OPTICAL. Alternatively, press the 'Input/Volume' button (**Ref.3**) on the speaker repeatedly. A voice message will announce each mode.

Adjust the Volume Level

Press the 'Volume +/-' buttons to adjust the volume- the POWER indicator will flash a green light when doing so. To turn off the sound press the 'Mute' button on the remote control (**Rem.17**). Press once again to resume to normal listening.

PLEASE NOTE: *When increasing or decreasing the volume, each button press generates a green LED light flash. When you reach the maximum volume level, the green LED light will stop flashing.*

If you adjust the volume to maximum and then power off, when you power on again, the volume level will automatically be restored to the factory setting at a lower level.

Sound equalisers (only with remote use).

While in HDMI or Optical mode, you can use sound equalisers to enhance the sound as per your preferences. Press and hold the 'Play/Pause' button (**Ref.23**) on remote control for 4-5 seconds to select one of the equalisers named 'Level 1', 'Level 2' or 'Level 3'.

The Majority D100 Speakers can be paired via Bluetooth with a device such as a smartphone or a tablet or any other Bluetooth enabled device to play audio from via the speakers.

- Ensure the D100 Speakers are powered on before connecting with another Bluetooth-enabled device.
- Change the speaker's mode to Bluetooth by pressing and holding the Bluetooth button on the remote control (**Rem.23**) for 4-5 seconds. Alternatively, press the 'Source' button on the remote control (**Rem.22**) repeatedly to enter Bluetooth Mode . A voice message will announce the mode. The speakers will then start searching for a device to pair with.
- Activate Bluetooth on your device that you want to pair with the speakers. Search and select "**Majority D100**" from the device's list of Bluetooth connections. Once successfully connected, you will hear a voice message saying, "BT connected", indicating that you have successfully paired the speakers with your Bluetooth device. You can now start playing audio from your device.

*PLEASE NOTE: If the Majority D100 Speakers are already paired with a device and you wish to connect with a different one, you must press and hold the 'Bluetooth' button (**Rem.23**) for 3 seconds to unpair from the device, and then follow the pairing instructions to connect with the new one.*

The operational Bluetooth range between the speakers and a Bluetooth-enabled device is up to 8 metres without having any obstacles or objects blocking connection.

While in Bluetooth mode, if you wish to reconnect to a previously paired device, ensure your device is within the operational range and is still connected with the Majority D100 from your devices list.

The Majority D100 are not compatible with Bluetooth headphones or earbuds.

USB Charging Port

The USB port on Majority D100, can be used as a charging port for phones or small similar devices. Connect your phone using an USB cable (not included) and insert into the speakers USB port (**Ref.10**).

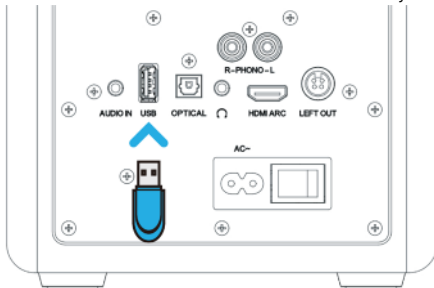
PLEASE NOTE: The output voltage of the USB port is 5V/1000mA, therefore not all devices are guaranteed for charging using this port. Please check your device specifications/manual before connecting with the speakers USB port for charging.

A mobile phone can be charged while the speakers are in Standby or Operating Mode. If the working mode is changed to Standby Mode, the phone will stop charging for 2 seconds and then continue charging.

USB Playback Port

The Majority D100 speakers can be connected with a USB mass storage device, USB stick and USB flash player to play audio from via the speakers.

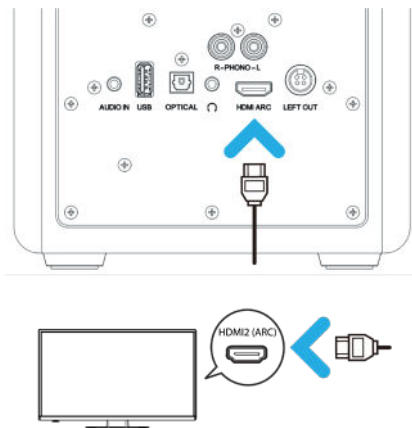
- Insert the USB device into the USB port at the back of the main speaker (**Ref.10**).
- Press the 'Input/Volume' button on the main speaker (**Ref.3**) or the 'Source' button on the remote control (**Rem.22**) repeatedly to change the speaker's mode to USB Mode. A voice message will be heard announcing the mode.
- The stored audio files on the USB device will automatically start playing.



PLEASE NOTE: The USB playback port can be used with an USB stick/drive type 2.0, of up to 2T size. The audio formats supported are MP3 and WMA.

The Majority D100 Speakers can be connected to a TV with compatible HDMI-CEC and ARC (Audio Return Channel).

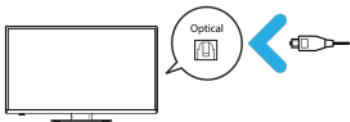
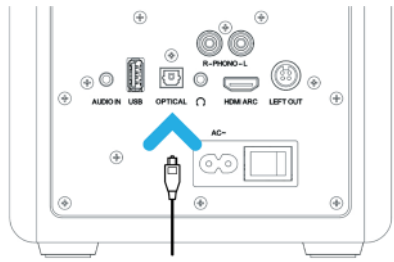
- Using an HDMI high-speed cable which supports ARC function (not included), insert one end into the HDMI port on the rear of the main speaker (**Ref.13**) and the other end into the HDMI ARC port on the TV.
- Press the 'Input/Volume' button on the main speaker (**Ref.3**) or the 'Source' button on the remote control (**Rem.22**) repeatedly to change the speaker's mode to 'ARC'. A voice message will confirm the ARC Mode.
- Adjust your TV audio settings to HDMI audio, enable HDMI-CEC and ARC functions. The sound will then be heard via D100.



PLEASE NOTE: If your TV is not HDMI-CEC and ARC or the CEC protocol is inconsistent, resulting in no sound, you must use a different type of cable connection to play sound from your TV through the Majority D100 Speakers.

Using the Optical Input, you can connect the Majority D100 with a TV/DVD/SET BOX, outputs using an optical cable.

- Insert one end of the optical cable into the optical input port on the rear panel of the main speaker (**Ref.11**) and the other end into your device optical output port.
- Press the 'Input/Volume' button on the main speaker (**Ref.3**) or the 'Source' button on the remote control (**Rem.22**) repeatedly to change the speaker's mode to 'Optical'. A voice message will confirm you are using Optical Mode.
- Adjust the audio settings on your device, if required to Optical/Audio and PCM.



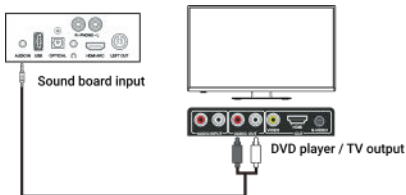
Using the Phono Input port, you can connect the Majority D100 with a turntable/ record player using a phono cable.

- Insert the phono cable into the turntable/ record player and the other ends into the phono port on the back of the main speaker (**Ref.15**).
- Press the 'Input/Volume' button on the main speaker (**Ref.3**) or the 'Source' button on the remote control (**Rem.22**) repeatedly to change the speaker's mode to 'PHONO'.
- Start playing audio from your turntable/record player via Majority D100 Speakers.

The Majority D100 Speakers can be connected with an audio source using the '**audio input**' port with a TV/ PC/ DVD Player. For this, you can use two different cable types such as: AUX (3.5mm jack) to RCA, or AUX(3.5 mm) to AUX (3.5 mm).

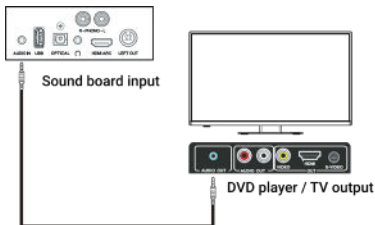
AUX (3.5 mm) to RCA

- Use an analogue audio cable AUX cable with a 3.5 mm jack that can be inserted into the main speaker, audio input port (**Ref.9**) and the RCA end into the audio source.
- Press the 'Input/Volume' button on the main speaker (**Ref.3**) or the 'Source' button on the remote control (**Rem.22**) repeatedly to change the speaker's mode to **AUDIO**.



AUX (3.5 mm) to AUX (3.5 mm).

- Connect your TV/DVD Player/Tablet AUX Output Port to the Majority D100 main speaker's Audio Input Port (**Ref.9**) using an AUX-to-AUX cable of 3.5 mm.
- Press the 'Input/Volume' button on the main speaker (**Ref.3**) or the 'Source' button on the remote control (**Rem.22**) repeatedly to change the speaker's mode to **AUDIO**.



Observation	Potential Cause/Solution
<p>No sound</p>	<p>Check if all cables are correctly inserted. Check if the speakers are set in the correct mode based on audio source used. Check if the speakers are muted. HDMI connection- If your TV is not HDMI-CEC and ARC or the CEC protocol is inconsistent, you must connect an audio cable to play sound from your TV through the Majority D100 Speakers.</p> <p>Ensure that the audio setting of the input source (e.g. TV, game console, DVD player, etc.) is set to PCM mode while using Optical ,AUX, and HDMI(ARC) connection.</p>
<p>No power</p>	<p>Ensure that the mains cable is connected securely. Ensure the unit is switched on.</p>
<p>Bluetooth connection</p>	<p>Ensure the D100 are in Bluetooth mode, and your device has Bluetooth activated before pairing. Ensure the D100 are not paired with other devices. If this is the case, please disconnect, and then follow the pairing steps again. Keep a distance from the device at a range of less than 10 metres.</p>
<p>The speakers automatically switches off while playing</p>	<p>Increase the volume level on your device and on the speakers.</p>
<p>Function disturbance</p>	<p>Switch the speakers off, disconnect from other devices and unplug. Leave the speakers off for a few minutes, and then plug these back in and connect again with your device, then power on the speakers.</p>

Support

If you require further assistance with your Majority D100 Bookshelf speakers, please contact our tech support team on the Majority website: www.majority.co.uk/support

Product Specifications

Power Supply	AC200-240V~50/60Hz
Power Consumption(standby mode)	< 0.5 Watt
Bluetooth version	5.3
Bluetooth range	Up to 10 metres
USB Playback stick/driver	Up to 2T
Audio supported formats	MP3/ WMA
Dimensions	170 x 182 x 275 MM per speaker

Warranty

All products come with a standard 12-month warranty. All items must be registered within 30 days of purchase, on www.majority.co.uk for the warranty to be valid. Once on the web page, use the menu to find 'Register Your Product'. You will also be given the chance to extend your warranty for an additional 24 months, free of charge.