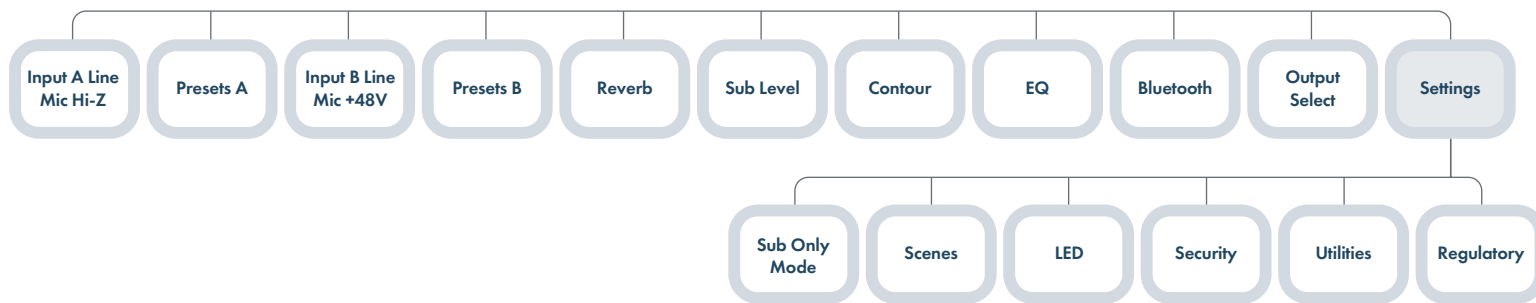


## Menu Map



### Mailing Address

QSC, LLC  
1675 MacArthur Boulevard  
Costa Mesa, CA 92626-1468  
USA

### Telephone

**Main:** +1.714.754.6175  
**Sales & Marketing:** +1.714.957.7100  
or toll free (USA only): +1.800.854.4079  
**Customer Service:** +1.714.957.7150  
or toll free (USA only): +1.800.772.2834

### Facsimile

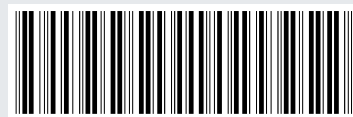
**Sales & Marketing:** +1.714.754.6174  
**Customer Service:** +1.714.754.6173

### Email

info@qsc.com  
service@qsc.com



KC12 Video Playlist



TD-001628-03

For the latest version of this document please go to [qscaudio.com](https://www.qscaudio.com).

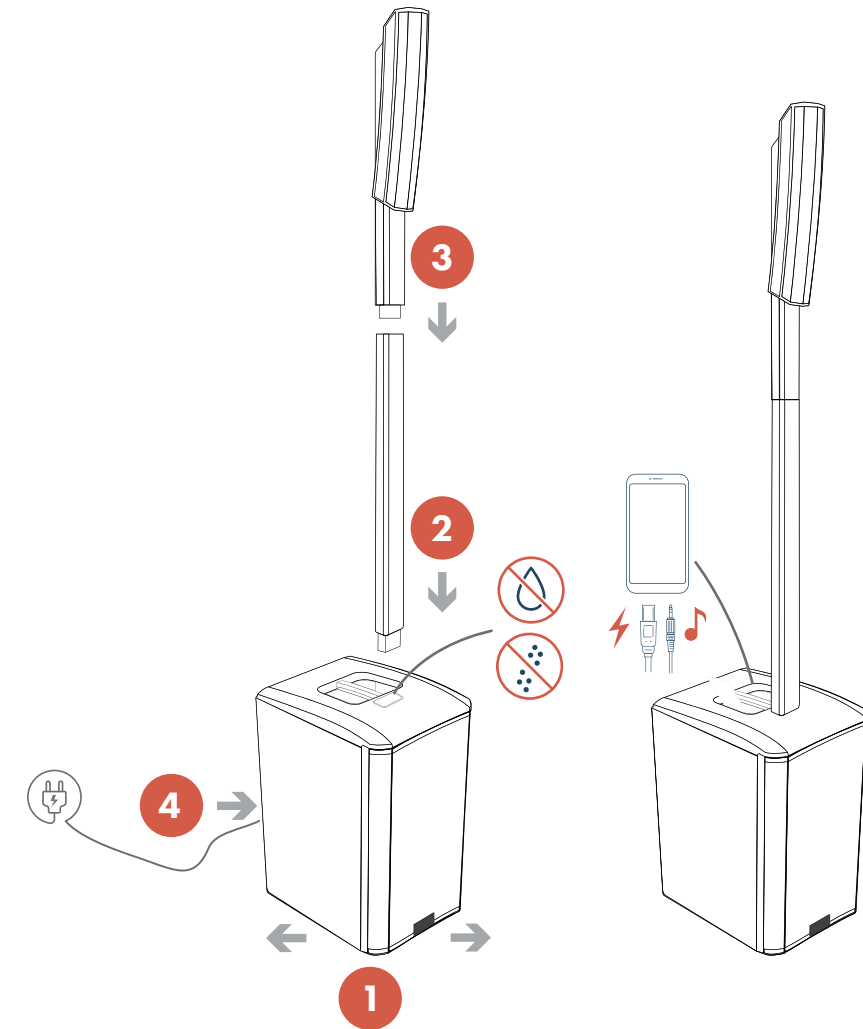


©2024 QSC, LLC. All rights reserved. QSC and the QSC logo are registered trademarks of QSC, LLC in the U.S. Patent and Trademark Office and other countries.

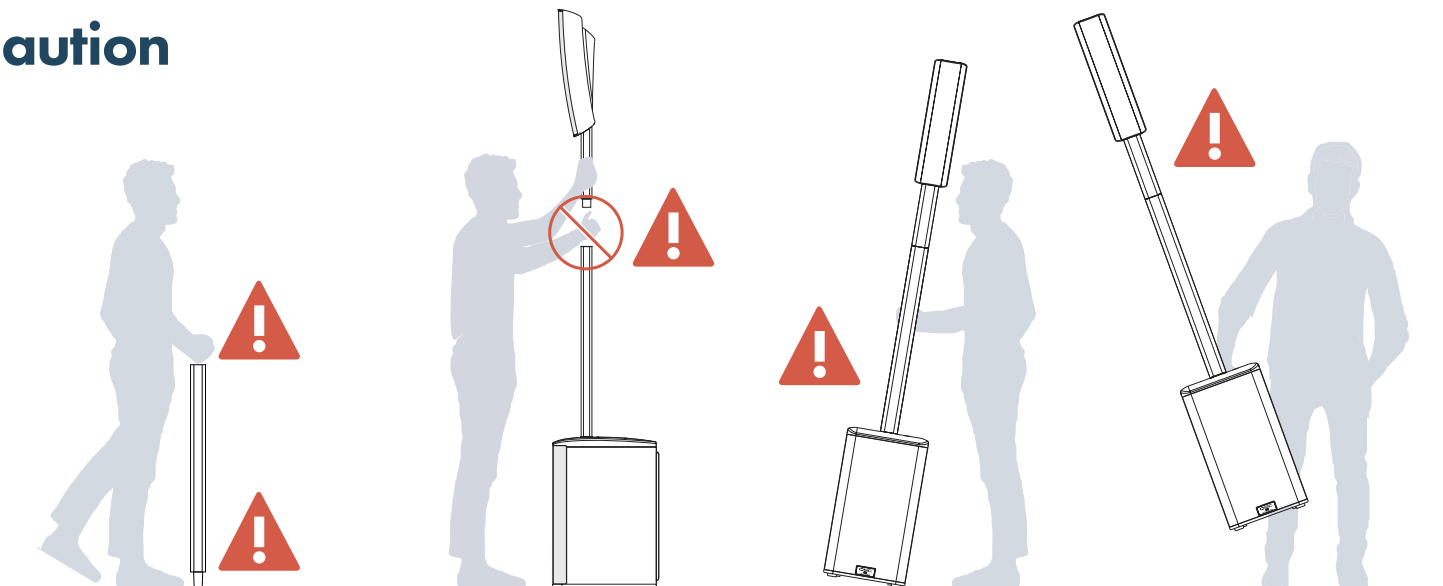
## Assembly



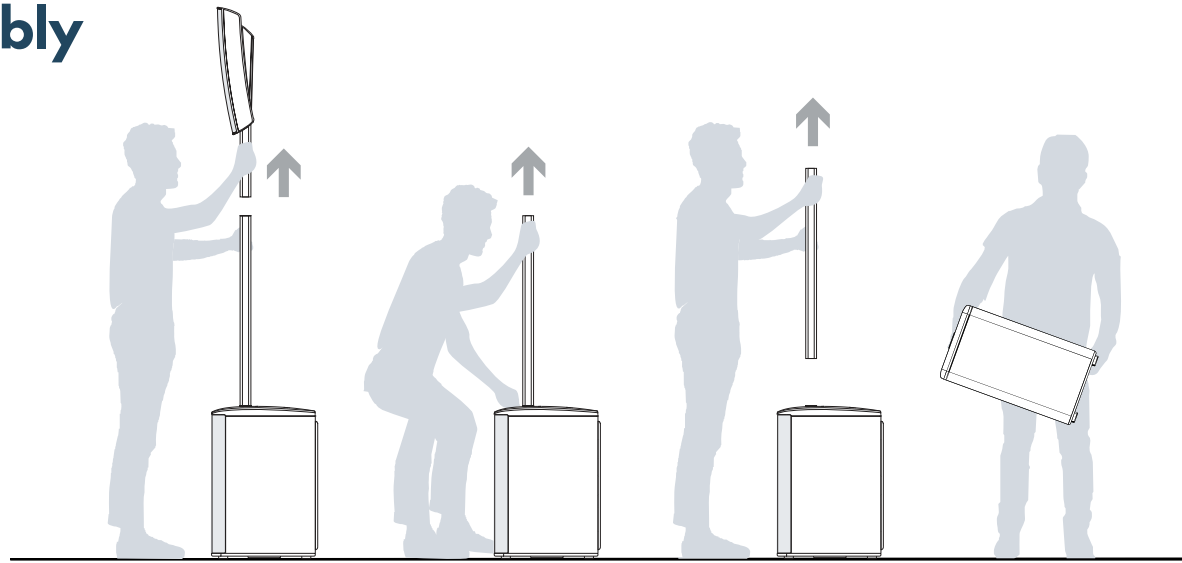
Before operating your KC12, please visit [qscaudio.com/kc12](https://www.qscaudio.com/kc12) to confirm that your system is equipped with the latest firmware. Updating the firmware is fast and easy and will serve to enhance and optimize your system's performance.



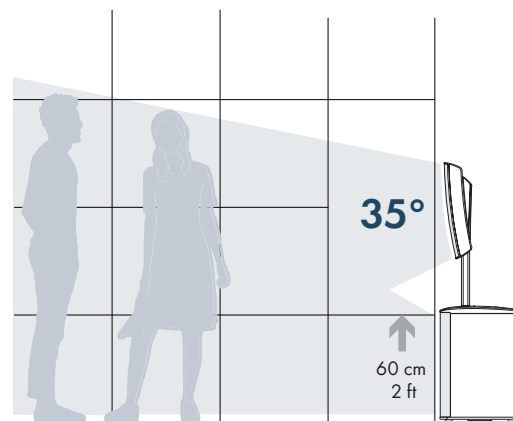
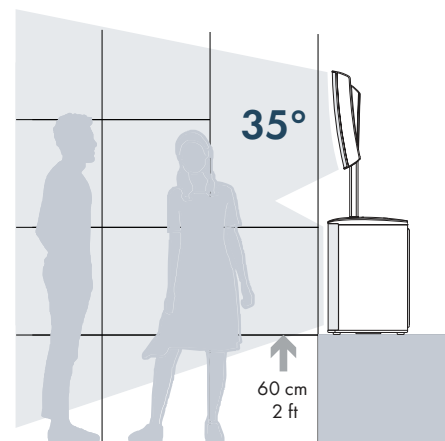
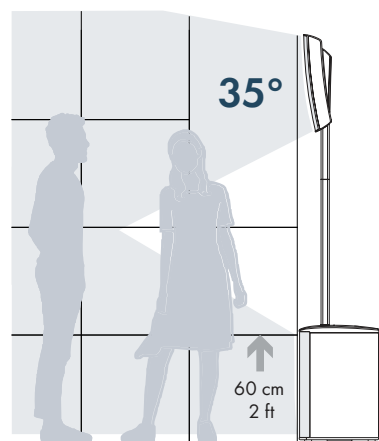
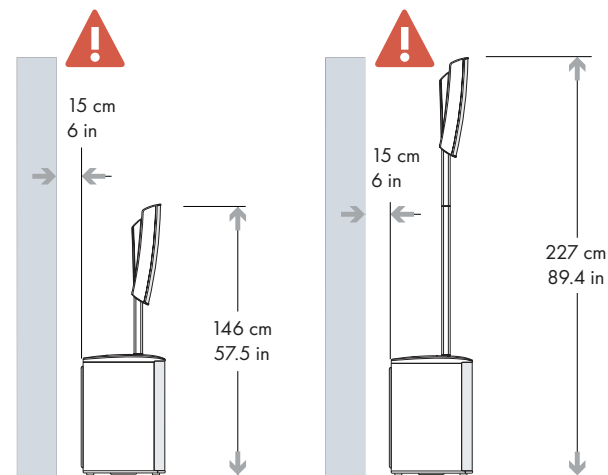
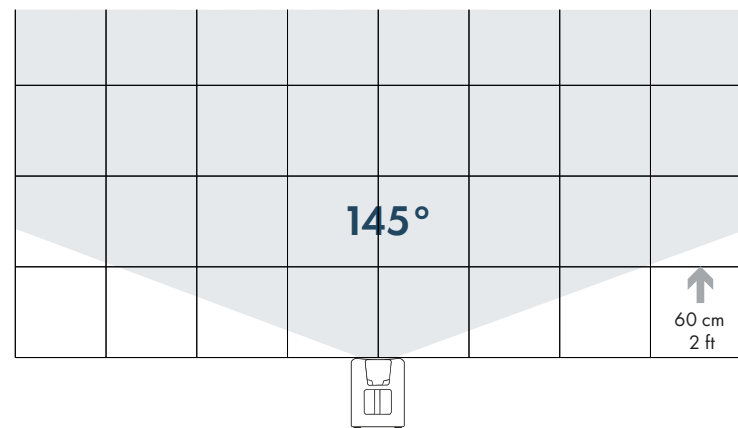
## Caution



## Disassembly



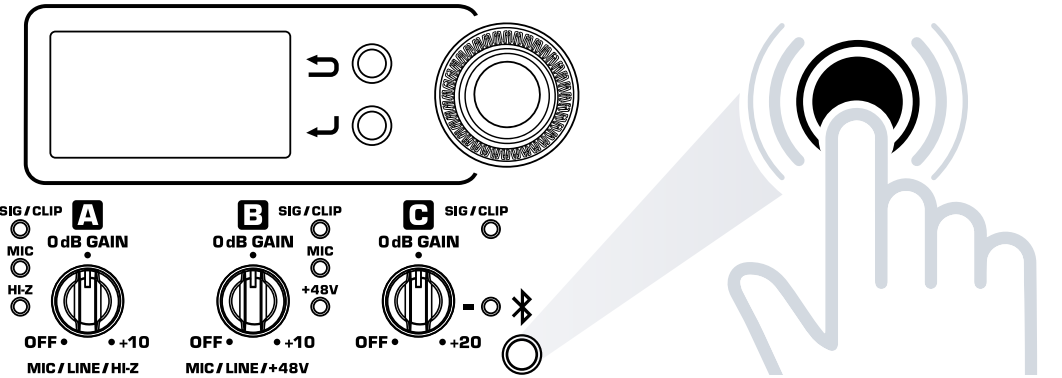
## Deployment & Coverage



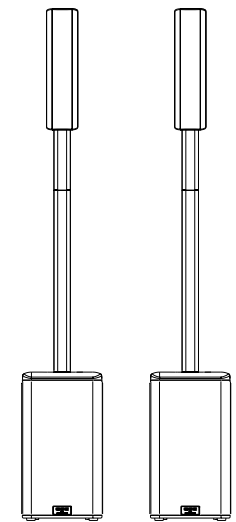
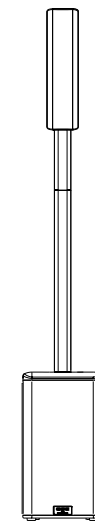
## Using Bluetooth

### On/Off

**On:** Short-Press  
**Off:** Long-Press :05 sec.



### Pairing



#### MONO/LEFT (1 System):

- 1) Long-press Bluetooth button :03sec.
- 2) Select **KC12** from host Bluetooth device

#### MULTICAST (up to 4 Systems):

- 1) Pair first system
- 2) Select **MULTI** in Bluetooth menu of first system
- 3) In all other systems, select **MULTI** in Bluetooth menu
- 2) Once connected, select in each system **LEFT**, **RIGHT** or **MONO** in the Bluetooth menu