



# TD307MK3

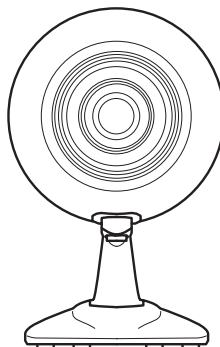
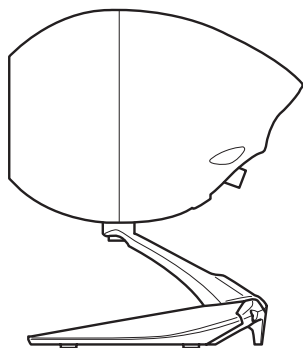
MANUAL No. 090001-15030700

ENGLISH

## OWNER'S MANUAL

- Thank you for purchasing this product.
- Please read this owner's manual thoroughly prior to making any connections.
- If installation methods or non-standard parts not specified in this installation manual are used, accidents or injury may result.
- Specialized knowledge and experience is required in order to install the speaker to a ceiling or wall. In such a case, please consult a qualified technician.
- Installation by two people is always advised.

Keep this Owner's Manual together with the Warranty Certificate in a safe place for future reference.



# Contents

## Before installation

Parts list	18
Safety guidelines	19
Checklist before use	19

## Installation

Speaker installation example	20
Parts and connections	21
Adjusting the speaker angle	22
Installing the speaker grille	23
Reversing the position of the speaker arm to the base	24
On a ceiling or wall	25
Care / Specifications	31
Warranty and customer service	32

# Parts list

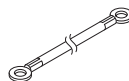
Check that all of the following items are present



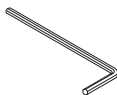
① Speaker X1



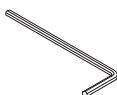
② Grille X1



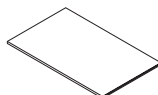
③ Safety cable  
(hole thread diameter 4.5 mm) X1



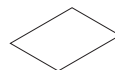
④ Allen key (large)  
(For securing speaker) X1



⑤ Allen key (small)  
(For securing drop-prevention  
wire to speaker) X1



⑥ Owner's Manual X1



⑦ Warranty X1

# Safety guidelines

The following WARNING and CAUTION signs are used throughout this owner's manual as well as on the product. These signs alert the installer and users of important safety information to avoid risk of injury and damages to the product. Make sure that you familiarise yourself with these symbols and their meaning.



## Warning

The information following this sign indicate situations where failure to follow the instructions may result in death or severe injury.



## Caution

The instructions which follow this sign indicate situations where failure to follow the instructions could cause injury when using the product or physical damage to equipment and surroundings.



## Tip

This section contains information that can help to prevent problems and damage to the unit, and other useful information.



## Warning

- Do not open the unit as this may cause electric shock or injury. For repair or maintenance, please contact a Customer Service Center. Do not attempt to modify the unit. This may cause fire or electric shock, and invalidate the warranty.
- Do not place the unit in the bathroom or anywhere exposed to rain. Do not use the unit in places with high humidity. This may cause fire or electric shock. Be particularly careful when using the unit in rainy weather or near water. Do not place above or near the unit, any flower vases, plant pots, cups, makeup, any vessel containing medicine or liquid or any small metal objects. In case any liquid or small metal objects enter the unit, fire or electric shock may result.



## Caution

- The unit should be placed on a hard, flat surface. Placing the unit on an unstable surface may cause it to fall over and cause injury.
- Do not climb on or swing from the unit. In particular, care should be exercised when children are present. The unit may fall or break and cause injury.

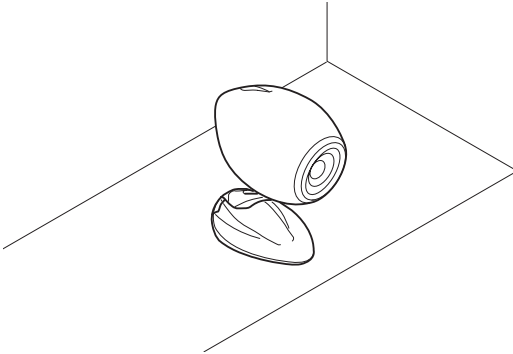
## Checklist before use

- Be sure to set the volume to the minimum level before turning on the power supply for connected equipment and before switching the input source. Sudden high levels of output can cause damage to the connected speaker system.
- Even pleasant music can be a disturbance at times. To avoid disturbance in your neighborhood, enjoy your unit at an appropriate volume. Remember that at night, even low volume carries into surrounding areas. Help to maintain a pleasant living environment.
- Always be sure to turn off the power supply for the connected equipment before connecting the speaker.
- Be careful not to tip over the stand.
- Clean the unit by wiping it gently with a soft cloth moistened with neutral detergent. Do not use liquid solvents such as gasoline or thinner to clean this product.

# Speaker installation example

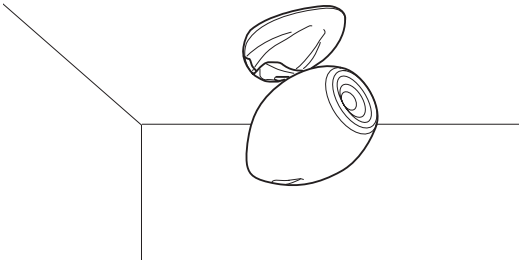
## Installation on a floor or shelf

- Adjust the speaker angle. ➔ Refer to P.22.



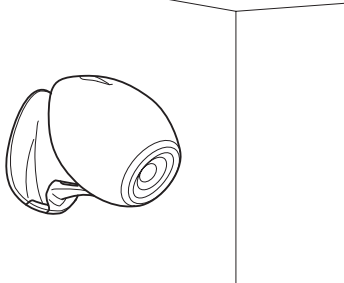
## Ceiling installation

- Example of installation on a ceiling or wall. ➔ Refer to P.25.
- Install the speaker to the ceiling or wall. ➔ Refer to P.26 - 30.
- Adjust the speaker angle. ➔ Refer to P.22.

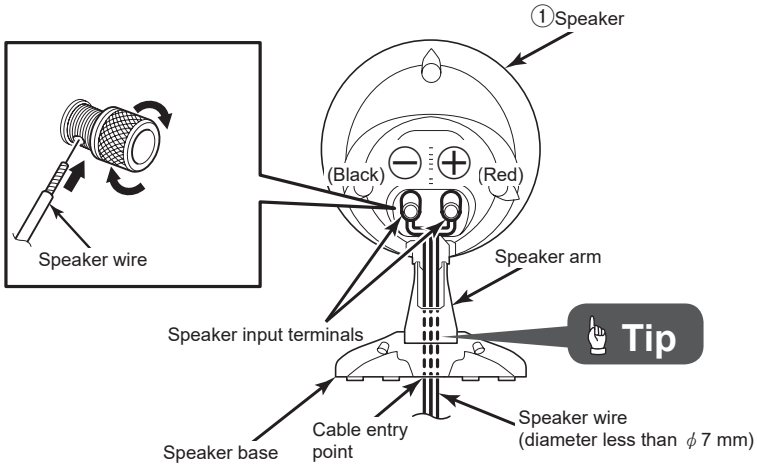


## Wall mounting

- Example of installation on a ceiling or wall. ➔ Refer to P.25.
- Install the speaker to the ceiling or wall. ➔ Refer to P.26 - 30.
- Adjust the speaker angle. ➔ Refer to P.22.



# Parts and connections



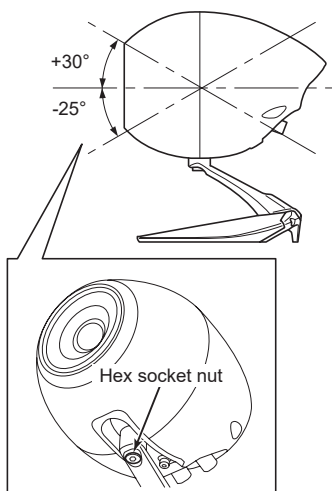
## Caution

- When connecting the speaker wires, insert the bare ends of the speaker wires correctly so that they do not touch neighboring terminals, otherwise it may cause short-circuits.
- The speaker wires are not provided with the speaker, so purchase them separately.

## Tip

- **For speaker wire diameter less than  $\phi$  7 mm**
  - If the speaker wire is passed through the cable entry point in the speaker base and the speaker arm, it will improve the outer appearance of the speaker.
- **For speaker wire diameter  $\phi$  7 mm or more**
  - The speaker wire cannot be passed through the speaker arm, so route it along the outside.

# Adjusting the speaker angle



- 1 Use the Allen key (large) which is supplied with the speaker to loosen the hex socket nut underneath the speaker.

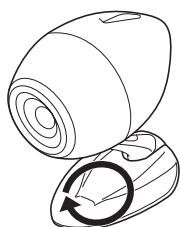
 **Tip**

The speaker is heavy, so hold it with your hand when adjusting the angle.

- 2 Set the speaker to the desired angle.

 **Tip**

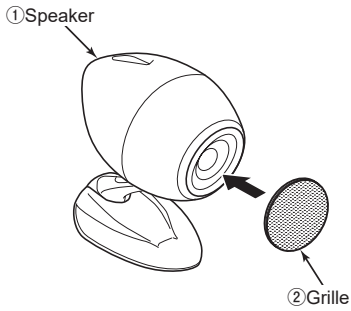
The vertical angle of the speaker can be adjusted within a range of +30° upward and -25° downward from the horizontal. If the speaker is installed to a ceiling or wall, refer to the installation examples on P.25 for the vertical angle adjustment range. The left and right angle adjustment range is 360°.



360° rotation

- 3 Securely tighten the hex socket nut.

# Installing the speaker grille



- 1 Install the grille as shown in the illustration.

## Tip

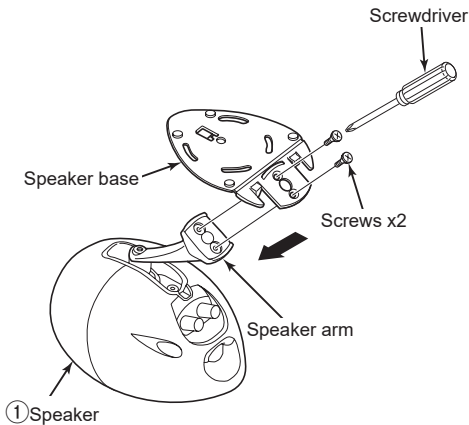
- The grille may be attached when the speaker is not in use or at the users discretion.
- Clip the edge of the grille to secure it.

# Reversing the position of the speaker arm to the base

## Tip

The TD307MK3 speaker can be installed in a variety of configurations by changing the way the speaker base and speaker arm are installed.

ENGLISH



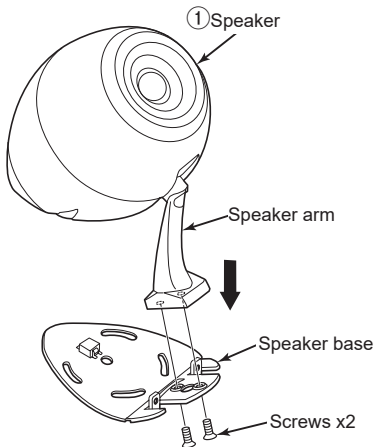
## Tip

When disassembling the speaker, refer to steps **1** to **2** of "Preparation for installation" on page 26.

- 1** Remove the screws which are securing the speaker arm to the speaker base.
- 2** Remove the speaker arm from the speaker base.

## Caution

The speaker is heavy, so use care when removing it.



- 3** Change the direction of the speaker arm and fit it back to the speaker base.



# On a ceiling or wall

This product can be installed on ceilings and walls. If installing on a ceiling or a wall, you will need to use extra screws (sold separately). When installing the speaker, be sure to fit the safety cable.

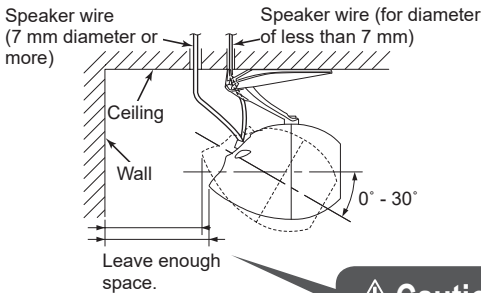
## ⚠ Caution

- Please read this owner's manual thoroughly prior to carrying out installation and connections.
- If installation methods or non-standard parts not specified in this installation manual are used, accidents or injury may result.
- Depending on the specific installation specialised skills may be required. In such cases, please consult a qualified technician.
- Installation by two people is always advised.
- Please note the screws for fixing the product and safety cable to the ceiling are NOT supplied.

ENGLISH

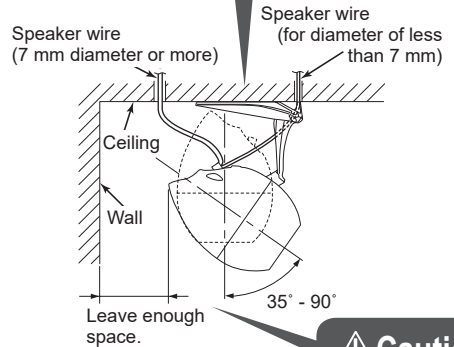
## ■ Example of installation to a ceiling or wall

### Example 1.



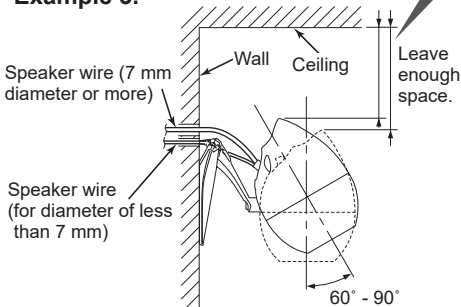
## ⚠ Caution

### Example 2.



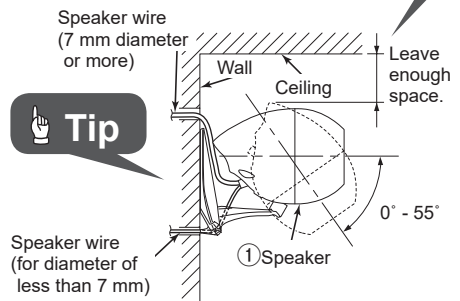
## ⚠ Caution

### Example 3.



## ⚠ Caution

### Example 4.

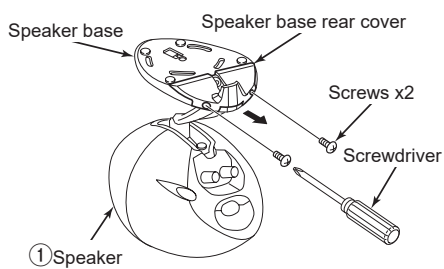


- Be sure to leave some space in between the speaker and the wall so that the speaker and wall do not touch.
- Leave enough space to insert a tool such as a screwdriver.

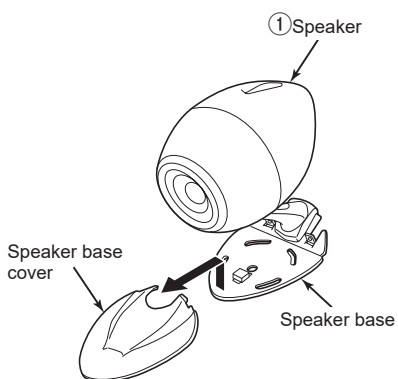
## Tip

- In the case of example 2 and example 4, the direction that the base is facing will be reversed.
- In the case of example 2 and example 4, it will be necessary to adjust the assembly positions of the speaker base and speaker arm. Refer to "Reversing the position of the speaker arm to the base" on P.24 for details on changing the assembly positions.

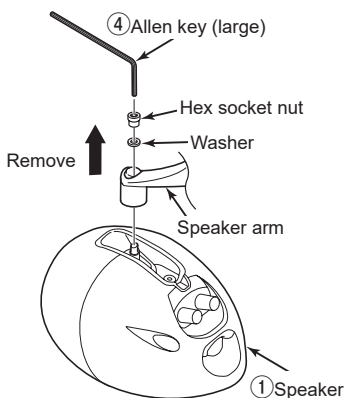
## – Preparation for installation –



- 1 Remove the screws from the speaker base rear cover, and then remove the speaker base rear cover.



- 2 Remove the speaker base cover.

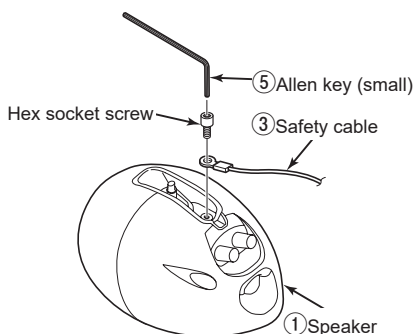


**3** Remove the hex socket nut and washer which are securing the speaker unit and the speaker arm.

**4** Remove the speaker arm from the speaker unit.

**Caution**

The speaker unit is heavy, so use care when removing it.



**5** Install the safety cable to the speaker unit with the hex socket screw.

**Caution**

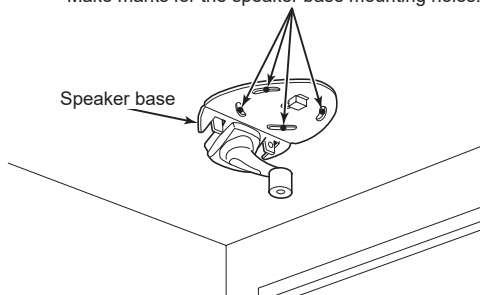
- Remove the hex socket screw from the speaker unit and use it to install the safety cable to the speaker unit.
- Install the safety cable securely to the speaker to prevent the speaker from falling down.
- Place the speaker on top of the soft cloth while working so as not to damage the speaker.

– Installing the speaker base –

**Tip**

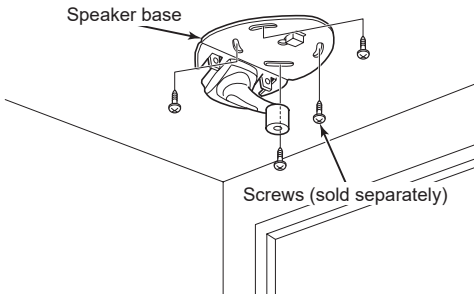
Steps **1** and after are followed when using installation example 1 or example 3 on P.25. Furthermore, the diagram shows example 1. For example 2 and example 4, refer to the installation example shown on P.25, and make sure that the speaker base is facing the right way and that the speaker wires are positioned correctly.

Make marks for the speaker base mounting holes.



**1** Use the speaker base to determine the installation position for the speaker on the indoor ceiling, and then use tape or similar to attach the speaker base to the ceiling.

**2** Use an awl or similar to make marks on the ceiling at the speaker base mounting hole positions.




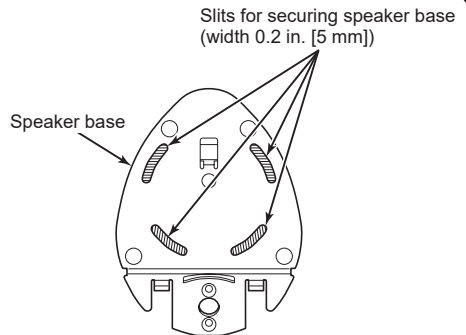
- 3** Fix the speaker base to the surface as shown using suitable screws (sold separately).

**⚠ Caution**

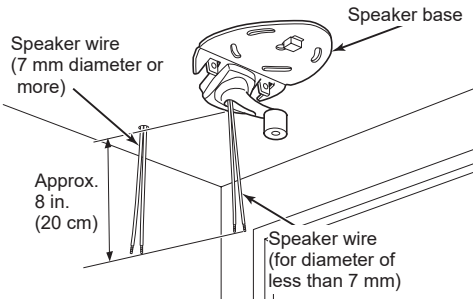
- Securely fix the speaker base to prevent the speaker from falling down.
- When securing the speaker base to the ceiling or wall with the screws, tightening the screws too much may distort the speaker base and prevent the base cover from being attached.

**👉 Tip**

- When installing the speaker base on the ceiling or wall, the position and number of mounting bolts used will be determined by the strength of the ceiling or wall and the locations of beams.
- When installing the speaker base on the ceiling or wall, use more screws (sold separately) using the slits marked with  to ensure the unit is secured.



**4** Route the speaker wires.

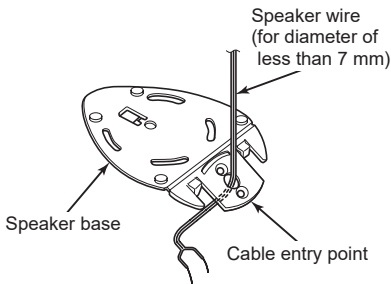


**Tip**

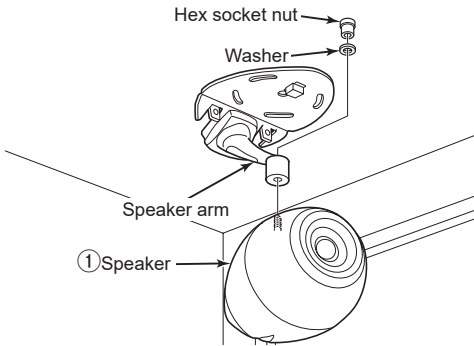
- To make it easier to connect the speaker wires to the speaker, leave about 8 inches (20 cm) of wire available.

■ **For speaker wire diameter less than  $\phi$  7 mm**

The speaker wires (sold separately) can be passed through the speaker base and the speaker arm to improve the outer appearance of the speaker.

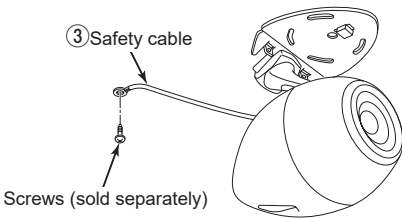


– Assembling the speaker –



- 1 Securely fix the speaker to the speaker arm with the hex socket nut and washer.

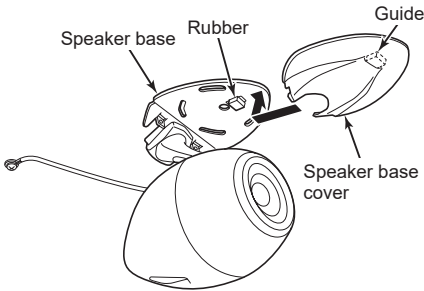
**Tip**  
Securely tighten the hex socket nut and the washer.



- 2 Install the safety cable to the ceiling with a screw (sold separately).

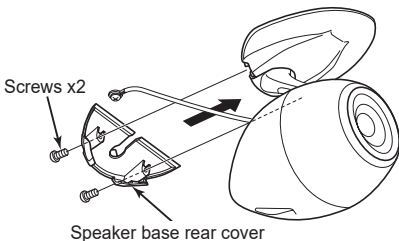
**Caution**  
Install the safety cable securely to the ceiling to prevent the speaker from falling down.

**Tip**  
Fix the safety cable to the ceiling in a place which is strong, such as a beam location.



- 3 Assemble the speaker base cover to the speaker base.

**Tip**  
Install the speaker base cover to the speaker base so that the guide fits onto the rubber.



- 4 Install the speaker base rear cover to the speaker base with the screws.

- 5 Connect the speaker wires (sold separately) to the speaker input terminals.

**Tip**  
For details on connecting the speaker wires, refer to "Parts and connections" on P.21.

# Care / Specifications

## Maintenance

Before cleaning, be sure to turn off the power supply for all connected equipment and disconnect the power cords from the electrical outlets. Remove any dirt from the unit by lightly wiping with a soft dry cloth.

If required moisten the cloth to remove surface dirt, then dry with a soft cloth.

Do not use gasoline or thinners, etc. on this unit as it may damage the cabinet.



## Problems during Operation of the Unit

During operation, the unit may stop working properly if it suffers from significant external disruption (impact shock, static electricity, voltage fluctuation caused by lightning, etc.) or is operated incorrectly.

In this situation, turn the amplifier power switch to the "Off" position.

Turn it back on again and check if normal operation has resumed. (If a problem persists, please contact our Service Centre)

## Notice for WEEE directive

In accordance with the European Directive 2012/19/EU (for Waste Electric and Electronic Equipment=WEEE), this product, which is labeled with crossed-out wheeled bin, may not be disposed of with household waste in member states of the EU.

WEEE : Waste Electrical and Electronic Equipment

When disposing of this product in an EU member state, dispose properly in accordance with the laws of that state, for example by returning it to the distributor. WEEE has the potential effects on the environment and human health as a result of the presence of hazardous substances.

You can contribute to eliminate these effects and to enhance reuse/recycle/ other forms of recovery by your cooperation.



## Specifications

Specifications and appearance are subject to change without prior notification.

### •Speaker

Diameter: 6.5 cm

Allowable input: Rated 12.5 W/Maximum 25 W

Impedance: 8 Ω

Dimensions: 135 mm(W) x 184 mm(D) x 212 mm(H)

Weight: Approx. 4.41 lbs. (2kg)

# Warranty and customer service

## Customer service for enquiries related to usage, care, and repair of the product

Your first point of contact should always be the ECLIPSE approved retailer who sold you the product, or the distributor of your country as they may be able to resolve the issue.

For a genuine and agreed warranty claim, the product along with the original receipt, should be returned to that retailer/distributor for warranty repair. A warranty repair can only be undertaken with a valid proof of purchase.

### Warranty

Warranty period: One year (two years for EU Countries) from the date of purchase.

Even during the warranty period, you may be charged for services.

### Repairs during the warranty period


The product will be repaired in accordance with the warranty provisions.

### Minimum retention period of performance parts for repair

Performance parts for repair are parts required to maintain the performance of the product. The minimum retention period of performance parts for repair for this product is eight years from the end of production.

### Repairs after the warranty period elapses

If the product can be made usable through repairs, it will be repaired for a fee at your request.

Check your audio equipment for a long life!	
<b>Safety check</b> 	Have you noticed any of these symptoms? <ul style="list-style-type: none"><li>● The power cable or plug is unusually hot.</li><li>● There is a burning smell.</li><li>● There is a deep cut in the power cable or it has deformed.</li><li>● Other problems or a malfunction.</li></ul>



Stop using the product
To prevent the product from malfunctioning or causing an accident, turn the POWER switch off, unplug the power plug from the power outlet, and request an inspection of the product.  For the likely charge to inspect and repair the product, contact as above.