

# EMOTIVA®



## BASX+

Plus Series Power Amplifiers  
User Manual



# Important Safety Precautions and Explanation of Symbols



The exclamation point within an equilateral triangle is intended to alert the user to the presence of important installation, operation, and service instructions in this manual.



The lightning flash with arrowhead symbol within an equilateral triangle is intended to alert the user to the presence of uninsulated dangerous voltages within the enclosure that may be of sufficient magnitude to constitute a risk of electrical shock to the user.

Please read this manual thoroughly before attempting to install, configure, or operate the BASX Plus Series amplifier. After successful installation and configuration of the BASX amplifier, be sure to retain this manual in a safe place for future reference.

Safety is a key component to a long lasting and trouble free installation. Please read and follow all instructions and heed all warnings on the BASX Plus Series amplifier and in this manual. The vast majority of the subsequent safety precautions are common sense. If you are not comfortable with the installation of audio/video entertainment equipment, you should seek the services of a qualified installation professional or call us for help.



**WARNING: TO REDUCE THE RISK OF FIRE OR ELECTRIC SHOCK, DO NOT USE THE BASX AMPLIFIER NEAR WATER OR IN WET LOCATIONS, DO NOT EXPOSE IT TO RAIN OR MOISTURE, DO NOT EXPOSE IT TO DRIPPING OR SPLASHING FROM OTHER SOURCES, AND ENSURE THAT NO OBJECTS FILLED WITH LIQUIDS (SUCH AS VASES) ARE PLACED ON IT. DOING SO MAY RESULT IN DAMAGE TO THE UNIT AND THE RISK OF ELECTRIC SHOCK, WHICH MAY RESULT IN BODILY INJURY OR DEATH.**



**WARNING: TO REDUCE THE RISK OF ELECTRIC SHOCK, DO NOT REMOVE THE COVER FROM THE BASX AMPLIFIER. THERE ARE NO USER-SERVICEABLE PARTS INSIDE THE UNIT. REFER ALL SERVICE TO QUALIFIED SERVICE PERSONNEL.**

Do not install the BASX Plus Series amplifier near or above any heat sources such as radiators, heating vents, or other apparatus' that produce heat. Do not block any ventilation openings or heat sinks. Avoid installing the unit directly above other heat-producing equipment unless sufficient ventilation or forced-air cooling is provided.

Do not install the BASX amplifier in locations without proper ventilation. The BASX amplifier should not be operated on a bed, sofa, rug, or similar surface that may block vents. The unit should not be installed in an enclosed location such as a bookcase, cabinet, or closed equipment rack unless sufficient forced-air ventilation is provided.

Always install your BASX amplifier according to the manufacturer's instructions and only use attachments or accessories specified by the manufacturer.

Do not install the BASX amplifier on any stand, shelf, or other piece of furniture that is unable to support its weight. If a cart is used to move the unit, use caution to avoid injury from tip-over.

Connect the BASX amplifier only to power sources of the correct voltage (as shown in this manual and on the BASX amplifier unit).

Protect power supply cables from being pinched, walked on, or otherwise damaged. Be especially careful where the power cable enters the power outlet and the unit.

Only connect the BASX amplifier to an electrical outlet or extension cord of appropriate type and rating.

DO NOT defeat the safety purpose of a grounding or polarized plug by removing ground pins or using unsafe adapters. A polarized plug has two blades - one wider than the other. A grounding plug has a third ground prong in addition to the two main conductors. The wide blade or third grounding prong is provided for your safety. If the provided plug does not fit your outlet, consult an electrician to replace your obsolete outlet. If you replace the power cord, only use one of similar type and equal or greater current rating.

The power cable for the BASX amplifier should be unplugged from the outlet during severe electrical storms, or when unused for a long period of time.

Only replace the fuse(s) in the BASX amplifier with fuse(s) of proper value and voltage rating.



The BASX should only be cleaned as directed in the manual. Avoid spraying liquids directly onto the unit and NEVER spray liquids into the vents. Care should be taken so that small objects do not fall into the inside of the unit.

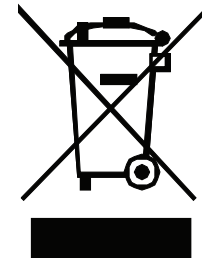


You should seek service for your BASX amplifier by qualified service personnel if any of the following occur:

1. The power-supply cord or the plug has been damaged.
2. Objects or liquid have fallen or spilled into the vents.
3. The unit has been exposed to rain.
4. The unit exhibits a marked change in performance.
5. The unit has been dropped, or its enclosure or chassis is damaged.

**NOTE: TO COMPLETELY DISCONNECT THE BASX AMPLIFIER FROM THE AC POWER MAINS, DISCONNECT THE AC POWER CORD FROM THE AC RECEPTACLE.**

**NOTE: THE POWER CORD ON THE BASX AMPLIFIER MUST REMAIN READILY ACCESSIBLE AT ALL TIMES.**



# BASX Plus Series Power Amplifiers

---



## **BASX Plus Series Power Amplifiers**

### **Contents**

Important Safety Precautions and Explanation of Symbols .....	1003
BASX Plus Series Power Amplifiers.....	1
Introduction .....	3
About This Manual.....	4
Features .....	5
Unpacking.....	7
In The Box.....	7
BASX Plus Series Amplifier Family .....	8
BASX Plus Series Amplifier Front Panels.....	9
BASX Plus Series Amplifier Rear Panels .....	10
BASX A2L+ Rear Panel .....	12
Quick Start .....	14
Connections .....	15
Care and Maintenance .....	16
Specifications.....	17
Troubleshooting .....	21
Emotiva Audio Corporation Three-Year Limited Warranty .....	22
Notes.....	25

# **BASX Plus Series Power Amplifiers**

---

# BASX Plus Series Power Amplifiers

---

## Introduction

Thank you for purchasing one of our new Emotiva BASX Plus Series amplifiers.

Our BASX product line is dedicated to the philosophy that high-quality products that deliver true audiophile sound quality don't need to be expensive to buy or complicated to configure and enjoy. Our BASX amplifiers give you great sound quality, excellent technical performance, and outstanding value.

The BASX A1+, A2+, A3+, A4+, A5+, A7+, and A2L+ amplifiers all use a "classical audiophile architecture", centered around a heavy-duty linear power supply, class A/B amplification, and the high current capability you need to get great sound with even difficult to drive speakers. We've paid special attention to important details like heavy-duty audiophile grade binding posts and carefully laid out signal paths. And we've also included important high-end features like differential inputs, automatic line voltage detection, and microprocessor controlled status indicators and fault protection.

The BASX A1+ is a true monoblock and the range of other models will enable you to purchase just the number of high quality audio channels you need - whether you're building a new system or adding extra surrounds or height channels to an existing system.

All of our new BASX Plus Series amplifiers except the BASX A2L+ also now include both balanced and unbalanced inputs. While the BASX A2L+ doesn't include balanced inputs, it includes several extra features that make it especially well suited to second zone and multi-zone use. The A2L+ includes a pair of loop outputs; by using these you can run multiple zone amplifiers, or an amplifier and a separate headphone amplifier, from the same stereo source. The A2L+ also includes a variable gain adjustment, which can be used to match the gain between it and other amplifiers, and A2+, A3+, and A2L+ also offer the ability to automatically turn On when they detect an audio signal at their inputs.

Our new BASX Plus Series amplifiers...

Great performance and great sound quality... at a great price.

Happy listening!

The Emotiva Team

# BASX Plus Series Power Amplifiers

---

## About This Manual

This manual will provide you with the information you need to get started enjoying your BASX Plus Series power amplifier.

We suggest that you read through the entire manual; we kept things as short and direct as possible. Even if you're an expert user, you will probably find some interesting information and useful suggestions.

If you're really in a hurry to get started, please read the Quick Start section (on page 14); you may then read the remainder of the manual at your leisure.

You may wish to keep a copy of this manual with your records, and record serial numbers or other purchase information on the Notes page at the back.



# BASX Plus Series Power Amplifiers

---

## Features

All of the amplifiers in our BASX Plus Series are true audiophile-grade power amplifiers. Each model is designed to sound superb and provide years of trouble-free listening enjoyment.

Our BASX A1+, A2+, A3+, A4+, A5+, and A7+ all feature our fully discrete, high-current, short signal path class A/B output section, heavy duty linear power supply, and both balanced and unbalanced inputs. The A1+ offers you the performance and flexibility of a true high quality monoblock. The A2+ is the ideal choice if you need two channels of high quality amplification. The A5+ and A7+ are ideal if you need a great sounding economical amplifier to power a 5.1 or 7.1 channel system. The A3+ provides exactly the number of channels you need to upgrade a two channel system to 5.1 channel surround sound; and the A4+ is the perfect choice for powering two pairs of height speakers.

The A2L+ offers the same audiophile quality class A/B output section, and heavy duty linear power supply, as our other BASX amps. But, while it doesn't include a balanced input, it adds several features that make it uniquely suited to serve as a zone amplifier: a loop output, a variable gain control, and an optional auto-switch mode.

Welcome to the BASX Plus Series of amplifiers... proof that you can still get true audiophile sound quality, all the power you need to get great sound from even difficult to drive speakers, and real value... all in an affordable, attractive, well made package.

## *Features of the new BASX Plus Series amplifiers:*

- **True audiophile-quality sound** - as with all of our amplifiers, the BASX Plus Series amplifiers were designed first and foremost to sound superb in all types of audio systems.
- **Great sounding Class A/B output stage** - ensures smooth detailed sound and incredibly natural imaging without a trace of harshness or strain.
- **Both balanced and unbalanced inputs (on all except the A2L+)** - for compatibility with the widest range of source equipment.
- **Heavy duty linear power supply** - with an oversized toroidal power transformer and plenty of current capacity to drive even difficult speakers.
- **Top quality parts and construction throughout** - promise years of reliable service.
- **Totally stable** - designed for use in the real world, with real speakers.
- **Heavy steel chassis with milled aluminum face plate** - provide strength and rugged good looks.
- **Heavy duty insulated five-way speaker binding posts** - allow you to use a wide range of speaker cables with bare wires, lugs, or banana plugs.
- **Remote trigger input and output** - allow the BASX amplifiers to be turned on by trigger-enabled equipment, and to activate other trigger-enabled equipment.
- **Audiophile-grade fault protection** - entirely transparent under normal conditions, yet protects the amp and your other equipment from all common fault conditions.

# BASX Plus Series Power Amplifiers

---

- **Universal AC line voltage operation** - the BASX amplifiers are designed to operate on either 115 VAC or 230 VAC at 50/60 Hz, and automatically detect and configure themselves to operate with your local line voltage.
- **Auto-On power switching (only on the A2+, A3+, and A2L+)** - enables you to configure the amplifier to automatically turn on when an audio input is detected.
- **Replaceable power cable and standard IEC power inlet** - The BASX Plus Series amplifiers all use replaceable power cables with standard IEC connectors (the A1+, A2+, A3+, A4+, A5+, and A7+ all use cables with standard C13 type IEC connectors; the BASX A2L+ uses a standard C7 type IEC cable.)
- **Full three year warranty** - ensures that you'll be able to enjoy your BASX amplifier for years to come.

## ***Features unique to the BASX A2L+:***

- **Loop output** - enables you to chain multiple stereo amplifiers together to independently drive multiple stereo zones.
- **Variable gain reduction control** - allows you to configure the gain on the BASX A2L+ to anywhere between 19 dB and 29 dB to match other amplifiers or to match levels between speakers in different zones.

You can find more information about the entire BASX Plus Series power amplifier line of products on our website at [www.emotiva.com](http://www.emotiva.com) - which you can also access by scanning the QR code.



# BASX Plus Series Power Amplifiers

---

## Unpacking

Your BASX Plus Series amplifier was carefully packed and should reach you in perfect condition. If you notice any shipping damage or other issues when you unpack it, please contact Emotiva immediately.

Gently remove your BASX amplifier from the packing carton and remove all wrappings and shipping material.

It is important to save the box and all packing materials in case your power amp ever needs to be moved or shipped back to the factory for service.

We truly value customer feedback and would like to hear from you.

## In The Box

Included in the box you should find:

- Your BASX Plus Series amplifier.
- A high quality commercial AC power cable.
- A trigger cable.
- A printed User Manual.

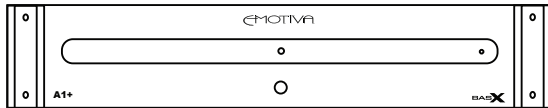
# BASX Plus Series Power Amplifiers

## BASX Plus Series Amplifier Family

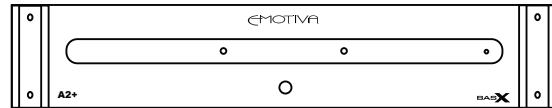
### BASX A2L



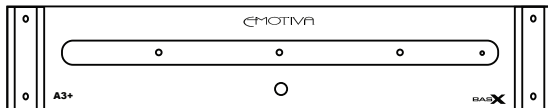
### BASX A1+



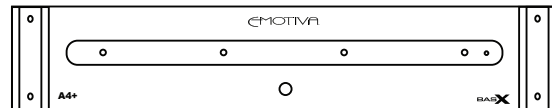
### BASX A2+



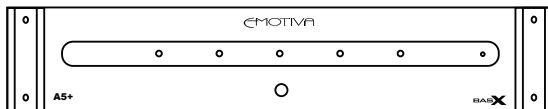
### BASX A3+



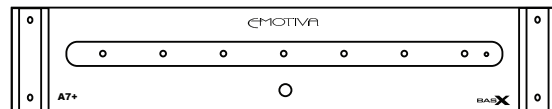
### BASX A4+



### BASX A5+

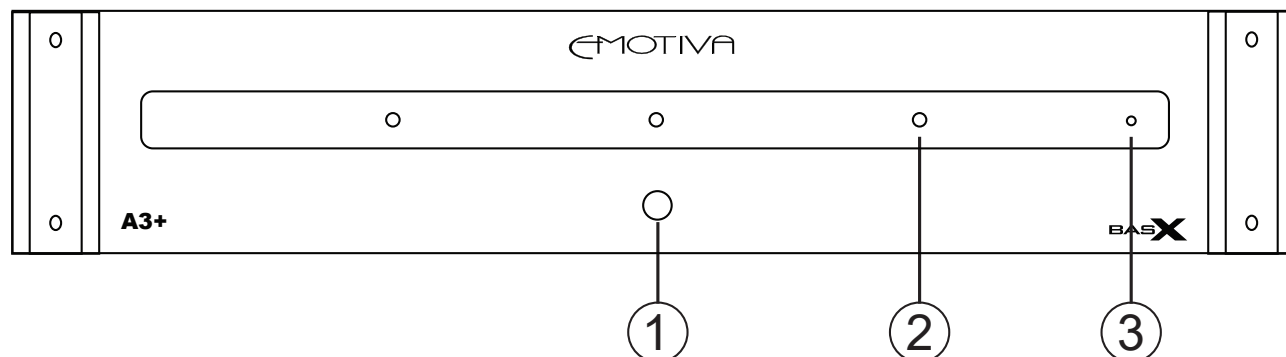


### BASX A7+



# BASX Plus Series Power Amplifiers

## BASX Plus Series Amplifier Front Panels



### **Note:**

**The BASX A1+, A2+, A3+, A4+, A5+, A7+, and A2L+ all have similar front panels.**

**The BASX A2L+ is 2-1/2 inches high.**

**The BASX A1+, A2+, A3+, A4+, A5+, and A7+ are all 3-1/2 inches high.**

**The front panel on each model has one Status LEDs for each channel.**

**The BASX A3+ is shown here for illustration.**

## 1. Standby Button

Press to switch the amplifier On; press again to return to Standby.

**Note: In order for the BASX amplifier to operate, the rear panel AC Power Switch must first be turned On.**

## 2. Status Display Window And Status LEDs

This window houses the Standby LED and Status LEDs.

**When the Amplifier is OFF no LEDs will be illuminated.**

**When the Amplifier is ON, and in Standby Mode, only the Standby LED will be lit amber.**

**When the Amplifier is ON, and NOT in Standby Mode, the Standby LED will NOT be lit.**

**When the rear panel Status LED Switch is set to ON -**

**when the Amplifier is ON and running the Status LEDs will be illuminated blue.**

**When the rear panel Status LED Switch is set to OFF -**

**when the Amplifier is ON and running the Status LEDs will NOT be lit (NO LEDs will be lit).**

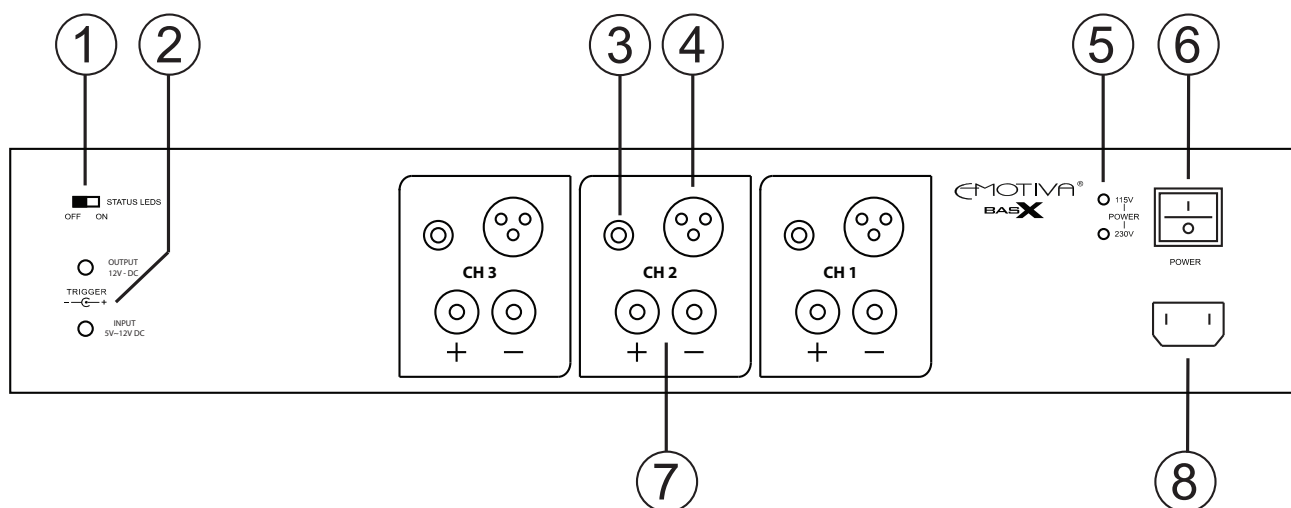
**When the Amplifier experiences a Fault condition the Status LEDs will flash red while the Standby LED flashes amber.**

## 3. Standby LED

This LED illuminates amber when the amplifier is powered ON and in Standby Mode.

# BASX Plus Series Power Amplifiers

## BASX Plus Series Amplifier Rear Panels



### Note:

*The rear panel of the BASX A3+ is shown here for illustration.*

*The rear panels of the A1+, A2+, A3+, A4+, A5+, and A7+ are all similar.*

*Each includes one RCA input, one XLR input, and one set of speaker terminals per channel.*

*The A2+ and A3+ each include one additional switch to select between Trigger and Auto On.*

*The rear panel of the A2L+ includes several additional features and is shown separately.*

## 1. Status LEDs Switch

Disables the front panel status LEDs when set to Off.

## 2. Trigger Input and Trigger Output

The BASX amplifier is switched On (from Standby) when a trigger signal is presented at the Trigger Input and returns to Standby when the trigger signal is removed. When the BASX amplifier is On, a 12 VDC signal is sent from the Trigger Output to turn on other devices.

## 3. Unbalanced Input

The BASX amplifier has independent unbalanced inputs for each channel.

## 4. Balanced Input

The BASX amplifier has independent balanced inputs for each channel.

### Note:

*Both the balanced XLR and unbalanced RCA inputs for each channel remain active at all times and are summed at the input.*

# BASX Plus Series Power Amplifiers

---

## ***5. AC Power Voltage LEDs***

The BASX amplifiers are designed to operate on either 115 VAC or 230 VAC, and automatically detect and configure themselves to operate with your local line voltage. These LEDs tell you which line voltage the BASX amplifier has detected.

## ***6. AC Power Switch***

Switches the main AC power to the BASX amplifier On and Off. When this switch is Off, no controls operate (the BASX amplifier cannot be turned On from the front panel or by a trigger signal).

## ***7. Speaker Terminals***

The speaker outputs on the BASX amplifier are heavy duty five-way binding posts, which accept a variety of speaker cables - including those with banana plugs, spade lugs, or bare ends.

## ***8. IEC Power Cord Receptacle***

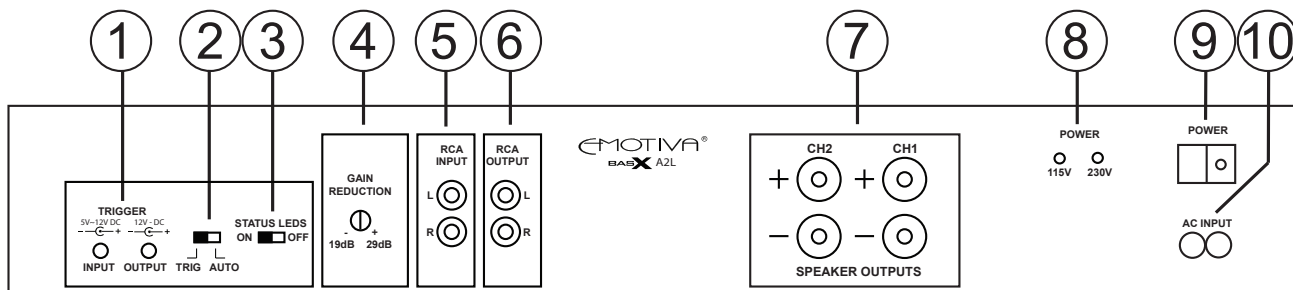
The BASX amplifier can be powered by any receptacle that provides either 115 VAC or 230 VAC at 50/60 Hz. This receptacle accepts a standard removable IEC AC power cable (a high-quality commercial power cable is included).

## ***Trigger Mode Switch (A2+, A3+, and A2L+ ONLY)***

In addition to normal Trigger control, when the Trigger Mode Switch is set to Auto, the amplifier will also turn On (from Standby) when it senses an audio signal at its Input and switch Off again after a few minutes when the signal is no longer present.

# BASX Plus Series Power Amplifiers

## BASX A2L+ Rear Panel



### Note:

**The RCA Output on the BASX A2L+ is a passive output that is connected directly to the RCA Input and is not affected by the Gain Reduction control. This output can be used to connect multiple amplifiers to power multiple zones, or to connect a separate headphone amplifier to your source in addition to the A2L+.**

## 1. Trigger Input and Trigger Output

The BASX A2L+ is switched On (from Standby) when a trigger signal is presented at the Trigger Input and returns to Standby when the trigger signal is removed. When the BASX amplifier is on, a 12 VDC signal is sent from the Trigger Output to turn on other devices.

## 2. Trigger Mode Switch

In addition to normal Trigger control, when the Trigger Mode Switch is set to Auto, the A2L+ will also turn On (from Standby) when it senses an audio signal at its Input and switch Off again after a few minutes when the signal is no longer present.

## 3. Status LEDs Switch

Disables the front panel status LEDs when set to Off.

## 4. Gain Reduction Control

This control can be used to reduce the gain on the BASX A2L+ to match the gain on other equipment.

## 5. RCA Unbalanced Inputs

The BASX A2L+ has independent unbalanced inputs for each channel.



# BASX Plus Series Power Amplifiers

---

## **6. RCA (Loop) Output**

The RCA Output on the BASX A2L+ is a passive output that is connected directly to the RCA Input and is not affected by the Gain Reduction control. This output can be used to connect multiple amplifiers to power multiple zones, or to connect a separate headphone amplifier to your source in addition to the A2L+.

## **7. Speaker Terminals**

The Speaker Outputs on the BASX A2L+ are heavy duty five-way binding posts, which accept a variety of speaker cables - including those with banana plugs, spade lugs, or bare ends.

## **8. AC Power Voltage LEDs**

The BASX A2L+ is designed to operate on either 115 VAC or 230 VAC, and automatically detect and configure themselves to operate with your local line voltage. These LEDs tell you which line voltage the amplifier has detected.

## **9. AC Power Switch**

Switches the main AC power to the BASX A2L+ On and Off. When this switch is Off, no controls operate (the BASX A2L+ cannot be turned On from the front panel, by a trigger signal, or by sensing an audio signal at its input).

## **10. IEC Power Cord Receptacle**

The BASX A2L+ amplifier can be powered by any receptacle that provides either 115 VAC or 230 VAC at 50/60 Hz. This receptacle accepts a standard removable IEC AC power cable (a high-quality commercial power cable is included).

# BASX Plus Series Power Amplifiers

---

## Quick Start

To get the most from your BASX Plus Series power amplifier we urge you to read the entire manual. If you just can't wait to listen to it, this section will cover the basics you need to get started.

- Find a secure location for your BASX amplifier.
- Connect your BASX amplifier to a signal source.
- Connect your BASX amplifier to a set of speakers (4 ohm or 8 ohm) using reasonably heavy gauge speaker wires (at least 16 gauge).
- Find some music you *really* like to listen to.
- Turn on the AC Power switch and turn up the volume a bit!
- Enjoy!

While you're enjoying your BASX amplifier, it would be a great time to read the rest of the manual to learn more about it.

# BASX Plus Series Power Amplifiers

---

## Connections

### *Connecting speakers to your BASX amplifier*

Your BASX amplifier has no special connection requirements; audiophile grade five-way binding posts are provided for speaker connections.

- **Always** turn off the amplifier before connecting or disconnecting speaker cables or signal source interconnects.
- **Always** verify that your speaker cables are firmly attached, and not shorted to each other or to any other cables, before powering up your BASX amplifier.
- **Always** use high-quality speaker wire; 16-gauge or heavier.
- If you must use thinner wire, try to keep the length as short as possible.
- Be careful to wire all speakers “in phase” (the plus/red terminal on each speaker to the plus/red terminal on your amp).
- Try to use wires of equal length and gauge for both speakers in each pair (use the same gauge and length for both fronts, or for both surrounds; don’t use a long 16-gauge wire for one speaker and a short 10-gauge wire for the other).
- If you use stranded cables, use care to avoid short circuits (from stray strands touching).

### *Connecting an input source to your BASX amplifier*

Your BASX amplifier uses unbalanced (RCA) inputs. We suggest using reasonably high quality cables, keeping cables no longer than necessary, and avoiding running signal cables near power cables and speaker cables whenever possible.

DO NOT connect a digital signal to the inputs of your BASX amplifier (or you may damage it or your speakers).

### *Connecting the Trigger Input and Trigger Output*

The Trigger Input accepts a 12 VDC (nominal) trigger signal from another device via a standard 1/8” mono plug. When the trigger is asserted, the BASX amplifier will switch On; when the trigger is removed, the BASX amplifier will return to Standby mode. The Trigger Output sends out 12 VDC whenever the main power to the BASX amplifier is On (and NOT when it is in Standby mode) which can be used to switch on other units with trigger capabilities.

### *Line Voltage*

The BASX amplifier can be powered by any receptacle that provides either 115 VAC or 230 VAC at 50/60 Hz. The BASX amplifier will automatically detect the correct line voltage. A pair of LED indicators on the rear panel of the BASX amplifier which line voltage the amplifier has detected.

# BASX Plus Series Power Amplifiers

---

## Care and Maintenance

### *Periodic Maintenance*

Your BASX amplifier requires no periodic maintenance or calibration.

### *Cleaning your BASX amplifier*

- If necessary, the BASX amplifier should be cleaned gently with a soft rag.
- If something sticky gets on the front panel or case of the BASX amplifier, it should be cleaned with a mild cleaning solution applied to a soft rag, followed by wiping with a clean rag dampened with plain water and drying with a soft dry rag or cloth.

**Note: DO NOT spray water or cleaning solution directly onto the BASX amplifier or into the vents.**

# BASX Plus Series Power Amplifiers

---

## Specifications

*Note: The following specifications apply to all BASX Plus Series power amplifier models unless otherwise noted (BASX A1+, A2+, A3+, A4+, A5+, A7+, and A2L+).*

## Power Output

**Power Output Per Channel; ALL channels driven:**

**A1+: 200 watts RMS / channel; 20 Hz - 20 kHz; THD < 0.05%; into 8 Ohms**

**350 watts RMS / channel; 1 kHz; THD <0.1%; into 4 Ohms**

**A2+: 160 watts RMS / channel; 20 Hz - 20 kHz; THD < 0.1%; into 8 Ohms**

**250 watts RMS / channel; 1 kHz; THD <1%; into 4 Ohms**

**A2L+: 50 watts RMS / channel; 20 Hz - 20 kHz; THD < 0.1%; into 8 Ohms**

**90 watts RMS / channel; 1 kHz; THD <1%; into 4 Ohms**

**A3+: 140 watts RMS / channel; 20 Hz - 20 kHz; THD < 0.1%; into 8 Ohms**

**200 watts RMS / channel; 1 kHz; THD <1%; into 4 Ohms**

**A4+: 100 watts RMS / channel; 20 Hz - 20 kHz; THD < 0.1%; into 8 Ohms**

**130 watts RMS / channel; 1 kHz; THD <1%; into 4 Ohms**

**A5+: 95 watts RMS / channel; 20 Hz - 20 kHz; THD < 0.02%; into 8 Ohms**

**130 watts RMS / channel; 1 kHz; THD <1%; into 4 Ohms**

**A7+: 90 watts RMS / channel; 20 Hz - 20 kHz; THD < 0.02%; into 8 Ohms**

**125 watts RMS / channel; 1 kHz; THD <1%; into 4 Ohms**

**Power Output Per Channel; TWO channels driven:**

**A3+: 150 watts RMS / channel into 8 Ohms; 250 watts RMS / channel into 4 Ohms**

**A4+: 100 watts RMS / channel into 8 Ohms; 175 watts RMS / channel into 4 Ohms**

**A5+: 120 watts RMS / channel into 8 Ohms; 175 watts RMS / channel into 4 Ohms**

**A7+: 120 watts RMS / channel into 8 Ohms; 175 watts RMS / channel into 4 Ohms**

## Input Sensitivity (for rated power; 8 Ohm load)

A1+: 1.6 V.

A2+, A4+, A5+, and A7+: 1.2 V.

A2L+: 0.7 V (Gain Reduction set to 29 dB).

A3+: 1.25 V.

## Gain

ALL MODELS (including BASX A2L+ with Gain Reduction set to 29 dB): 29 dB.

## Power Bandwidth (at rated power; 8 Ohm load)

20 Hz to 20 kHz (+ / - 0.07 dB) or better.

# BASX Plus Series Power Amplifiers

---

## ***Broad Band Frequency Response***

5 Hz to 80 kHz (+ 0 / - 1.8 dB).

## ***THD + noise***

< 0.02% (A-weighted); at rated power; 1 kHz; 8 Ohms.

## ***Signal to Noise Ratio (8 Ohm load)***

> 112 dB or better; referenced to rated power (A-weighted).

> 95 dB; referenced to 1 watt (A-weighted).

## ***Load Impedance***

Minimum Load Impedance: 4 Ohms; which equals one 4 Ohm load or two paralleled 8 Ohm loads.

Rated Load Impedance: 8 Ohms.

## ***Damping Factor (8 Ohm load)***

> 500.

## ***Speaker Output Connections***

Audiophile grade 5-way binding posts.

## ***Power Supply***

Linear power supply with heavy duty toroidal transformer.

## ***Input Connections***

Unbalanced (RCA); one each per channel (ALL models).

Balanced (XLR); one each per channel (all models EXCEPT A2L+)

## ***Input Impedance***

27 kOhms.

## ***Trigger***

Trigger Input: 5 - 12 V (AC or DC); <10 mA input current required.

Trigger Output: 12 VDC; can drive any load up to 120 mA.

## ***Power Requirements***

115 VAC or 230 VAC @ 50 / 60 Hz (automatically detected).

# BASX Plus Series Power Amplifiers

---

## **Protection**

The BASX Plus Series amplifier is protected against excessive operating temperature, shorted speaker connections, ground faults, and other common fault conditions.

## **Dimensions:**

BASX A1+, A2+, A3+, A4+, A5+, and A7+:

17" wide x 4-1/4" high x 15-1/2" deep (unboxed; including feet).

17" wide x 3-1/2" high x 15-1/2" deep (unboxed; without feet).

BASX A2L+:

17" wide x 3-1/8" high x 12-1/2" deep (unboxed; including feet).

17" wide x 2-1/2" high x 12-1/2" deep (unboxed; without feet).

## **Weight**

BASX A1+: 22 lbs (unboxed)

BASX A2+: 25.2 lbs (unboxed)

BASX A2L+: 15 lbs (unboxed)

BASX A3+, A4+, and A5+: 25.2 lbs (unboxed)

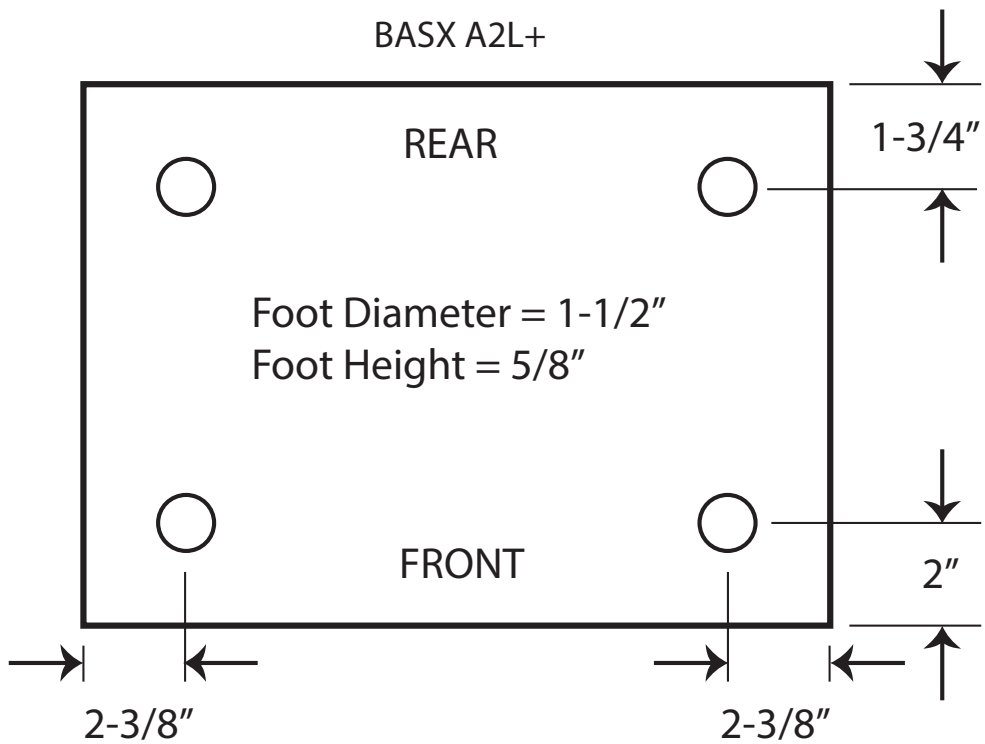
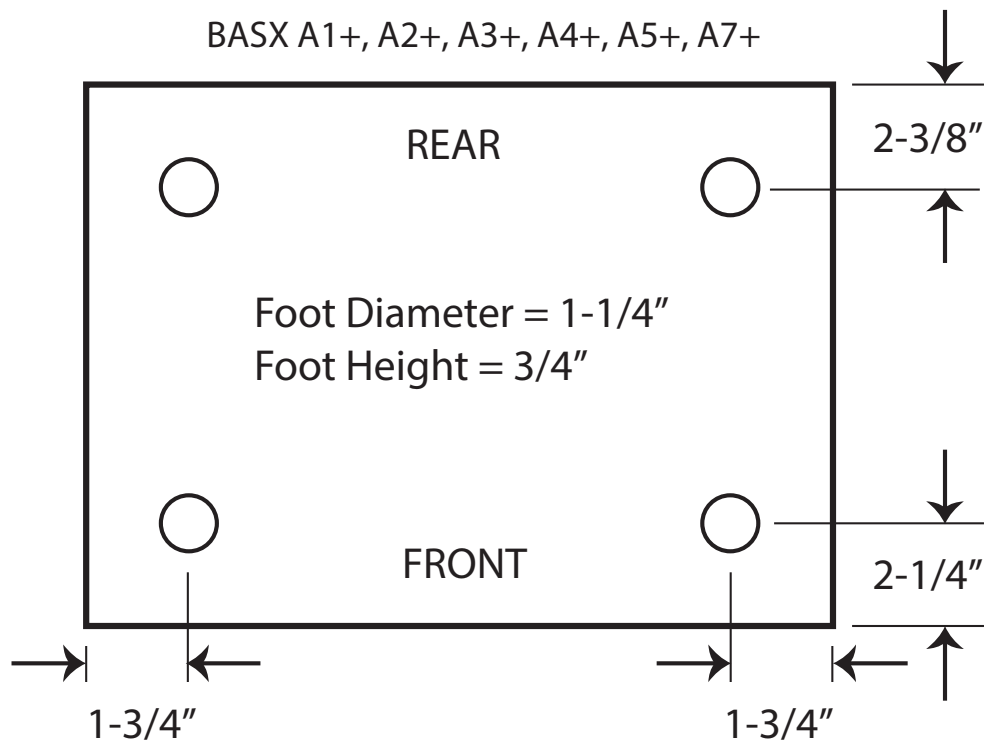
BASX A7+: 28 lbs (unboxed)

\* For boxed weight, add 7 lbs to the above weights

## **Ventilation**

The audiophile quality Class A/B output stages in the BASX Plus Series power amplifiers generate substantial heat when operating at high power for extended periods of time. Be sure to allow sufficient ventilation and avoid blocking the vents.

# Mounting / Feet





# BASX Plus Series Power Amplifiers

---

## Troubleshooting

Your BASX Plus Series power amplifier was carefully designed and manufactured from high-quality precision components to ensure years of trouble free operation. We really doubt you'll ever have any problems with your BASX amplifier, but if you do, here are a few things you could try:

**Problem: No output (nothing is lit).**

*Reason: You have no AC power.*

- Verify that the rear panel AC Power switch is On.
- Verify that your AC power circuit is live.
- Verify that the line cord on your BASX amplifier is fully inserted and is tight.

**Problem: Your BASX amplifier is operating normally, but none of the Status LEDs is lit.**

*Reason: The front panel status LEDs are turned off.*

- Set the Status LEDs switch on the rear panel to On.

**Problem: No sound or distorted sound is heard but there are NO flashing LEDs.**

*Your BASX amplifier is not indicating a fault condition.*

- Check your source.
- Check your speakers and speaker connections.
- If there is NO sound, verify that you have AC power, and that the AC Power Switch is ON.

**Problem: There is no sound; the Status LEDs are flashing.**

*Reason: Your BASX amplifier is in Protect mode, which indicates a fault condition.*

- Switch the rear panel AC Power switch Off and On to clear the Fault condition.
- If the fault remains, look for a shorted speaker cable or damaged speaker.
- Check your sources and source connections (a bad interconnect, DC on the input, or an otherwise bad source component can cause a fault).

**Problem (A2+, A3+, and A2L+ only): The Standby LED is lit amber, the amplifier is set to Auto-On, and your BASX amplifier fails to come on when the source is playing.**

*Your BASX amplifier is NOT turning on when it senses an input signal.*

- Check your source and cables.
- Verify that the Auto-On Switch is set to the correct position.
- Try using a Trigger Cable.

# BASX Plus Series Power Amplifiers

---

## Emotiva Audio Corporation Three-Year Limited Warranty

### What does this warranty cover?

Emotiva Audio Corporation (Emotiva) warrants the BASX A1+, BASX A2+, BASX A2L+, BASX A3+, BASX A4+, BASX A5+, and BASX A7+ against defects in materials and workmanship. This warranty, and all rights provided hereunder, covers the original owner for a full three years, and may be transferred to a new owner by the original owner during the first year of ownership. In the event the original owner transfers ownership of the Product after the first year of ownership, but prior to the expiration of the applicable term described below, this Warranty shall terminate immediately upon such transfer of ownership.

This Warranty only applies to Products purchased directly from Emotiva or any of its Authorized Dealers or International Distributors.

Emotiva warrants any replacement product or part furnished hereunder against defects in materials and workmanship for the longer of the following: (i) the amount of time remaining under the original warranty, or (ii) 120 days from your receipt of the repaired or replaced product. The duration described in this paragraph is hereinafter referred to as the "Term".

TO THE FULLEST EXTENT PERMITTED BY LAW, ALL IMPLIED WARRANTIES RELATED TO THE ORIGINAL PRODUCT AND ANY REPLACEMENT PRODUCT OR PARTS (INCLUDING IMPLIED WARRANTIES OF MERCHANTABILITY AND FITNESS FOR A PARTICULAR PURPOSE) ARE EXPRESSLY LIMITED TO THE TERM OF THIS LIMITED WARRANTY. SOME STATES DO NOT ALLOW LIMITATIONS ON HOW LONG AN IMPLIED WARRANTY LASTS, SO THE ABOVE LIMITATION MAY NOT APPLY TO YOU.

The original owner must make a claim within the Term of the Warranty. A claim shall not be valid (and Emotiva has no obligation related to the claim) if it is not made within the Term and if it is not made in strict compliance with the requirements of the "How do you get service?" section.

### How long does this coverage last?

This warranty commences on the date of retail purchase by the original retail purchaser and runs for a period of three years thereafter. This warranty may be transferred once by the original owner during the initial one year of ownership, and is non-transferable thereafter to the original or subsequent owner during the Term. Emotiva warrants any replacement product or part furnished hereunder against defects in materials and workmanship for the longer of the following: (i) the amount of time remaining under the original warranty, or (ii) 120 days from your receipt of the repaired or replaced product. The duration described in this paragraph is hereinafter referred to as the "Term".

### What will Emotiva do?

Emotiva will, at its option, either: (i) repair the product, or (ii) replace the product with a new consumer product which is identical or reasonably equivalent (in Warrantor's sole discretion) to the product. In the event Warrantor, in its sole discretion, is unable to replace or repair the Product or it is not commercially practicable to do so, then: (i) if the claim was submitted during the first

# BASX Plus Series Power Amplifiers

---

365 days of the Term, Warrantor shall refund to you the purchase price that you paid for the Product; and (ii) if the claim was submitted after the first 365 days of the Term, Emotiva shall issue you a credit equal to the purchase price that you paid for the product. The credit may only be used for the purchase of merchandise from Emotiva, and cannot be used for freight charges.

When a Product or part is repaired or replaced, any replacement item becomes your property and the replaced item becomes Emotiva's property. When a refund or credit is given, the Product for which the refund or credit is provided must be returned to Emotiva and becomes Emotiva's property.

## **What is not covered by this warranty?**

This warranty does not apply: (i) to damage caused by use with products not manufactured by Emotiva, where the non-Emotiva product is the cause of the damage; (ii) to damage caused by service or maintenance performed by anyone who is not a representative of Emotiva; (iii) to damage caused by accident, abuse, misuse, flood, fire, earthquake or other external causes; (iv) to a product or part that has been modified after its retail purchase, where the modification caused or contributed to the damage; (v) to consumable parts, such as batteries or failure of or damage to the Product caused by batteries; (vi) if any Emotiva serial number has been removed or defaced on the product; (vii) glass or plastic panels, cabinetry, trim or other appearance items; (viii) cosmetic wear or damage to remote controls by user.

EMOTIVA SHALL NOT BE LIABLE FOR ANY INCIDENTAL OR CONSEQUENTIAL DAMAGES ARISING FROM OR RELATED TO ANY DEFECTS IN OR DAMAGES TO ITS PRODUCTS. SOME STATES DO NOT ALLOW THE EXCLUSION OR LIMITATION OF INCIDENTAL OR CONSEQUENTIAL DAMAGES, SO THE ABOVE LIMITATION OR EXCLUSION MAY NOT APPLY TO YOU.

## **How do you get service?**

In order to make a claim under the Warranty, you must:

1. Call or e-mail a customer service representative at 1-615-790-6754 or support@emotiva.com. You must provide a description of your problem, the serial number of the Product for which the warranty claim is being made, and the original purchase date.
2. Then, you will be provided with a warranty service authorization number ("WS").
3. Next, you must ship the Product to the following address, with the WS written in large, bold numbers on the outside of the box, and with the letters "WS" written before the number, for example: WS1234. Parcels arriving without a WS number on the outside of the box will be refused. The customer pays for the shipping to Warrantor. Warrantor pays for the shipping back to the customer within the continental United States only. Customer is responsible for shipping charges on all other warranty claims.

**Emotiva Audio Corporation**  
**Attn: Repair Department**  
**139 Southeast Parkway Court**  
**Franklin, TN 37064**

# BasX Plus Series Power Amplifiers

---

Units will be refused by Emotiva for the following:

Product was sent without the WS#

Product was sent with inadequate packaging.

Product was damaged in transit.

Product was shipped collect for shipping charges.

## **How does state law apply?**

This warranty gives you specific legal rights, and you may also have other rights which vary from state to state.

## **What if my product is damaged on the way to you?**

Emotiva is not liable for damages that may incur while an item is in transport to us. Please purchase insurance when you ship your item. If your Product was not adequately packaged, we will refuse receipt and the damaged package will be returned to you at your cost. If you do not have the original Emotiva Audio packaging, please check with our sales department to purchase replacement-shipping cartons.

## **How does the Warranty and service apply to international orders?**

The Product Warranty is only valid in the country where the Emotiva product was originally shipped via an authorized dealer, distributor, or direct from the Emotiva factory. The Warranty is subject to change at any time depending on the laws and regulations within your specific country. Please check with your distributor for a complete understanding of the warranty in your county.

If you purchased your Emotiva Product outside of the USA and wish to have it serviced at the factory, all freight charges are your responsibility. If you do not have an authorized distributor or repair center in your country, your Product must come back to the Emotiva USA factory for warranty service.

# BASX Plus Series Power Amplifiers

---

## Notes

---

---

---

---

---

---

---

---

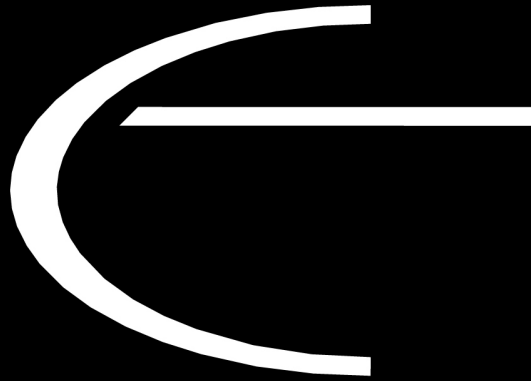
# BASX Plus Series Power Amplifiers

---

All information contained in this manual is accurate to the best of our knowledge at the time of publication. In keeping with our policy of ongoing product improvement, we reserve the right to make changes to the design and features of our products without prior notice.

BASX Plus Series Power Amplifier User Manual v1.0 December 2024  
(A1+/A2+/A2L+/A3+/A4+/A5+/A7+)





Emotiva Audio Corporation  
135 Southeast Parkway Court  
Franklin, TN 37064

[www.emotiva.com](http://www.emotiva.com)