
Technical Data



Contents

Introduction	1	Block Diagrams	3
Modules	2	Mono Input	3
Mono Input	2	Stereo Input	4
Stereo Input	2	Talkbacks & Stereo Returns	5
Master Section	2	Groups/Aux/Matrix Outputs	6
		Master Section	7
		Specifications	8

Introduction

- Individually switched 48V phantom power on every input module
- 8 Aux sends
- 4 Sub Groups
- 4 Mute Groups
- 7x4 Output Matrix
- Limiter on record output
- New GB30 mic pre-amp
- 4-band GB30 EQ
- Integral power supply, with an external power supply link option
- All metal TRS jacks and Neutrik XLRs
- Direct outputs on all mono input channels

GB4

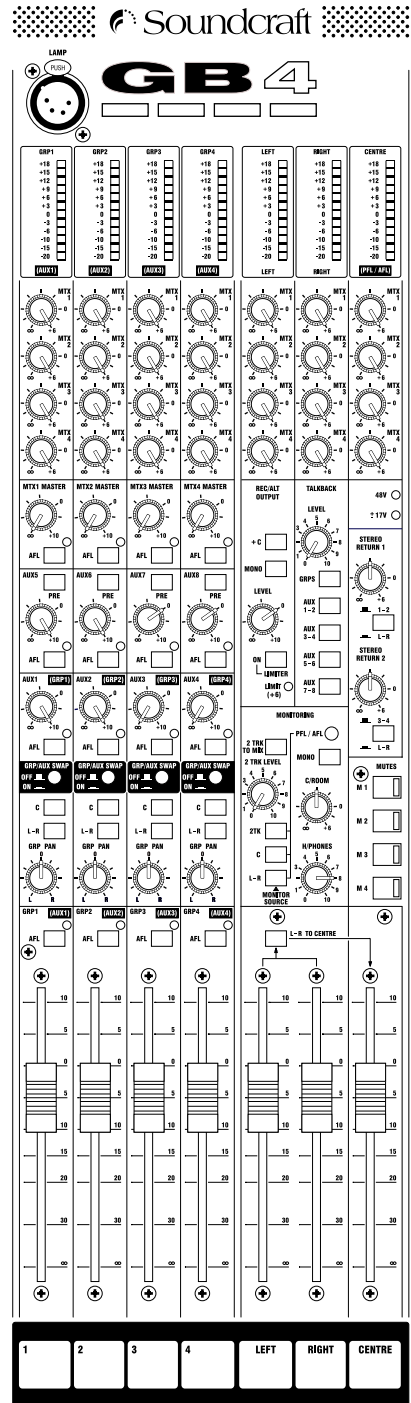
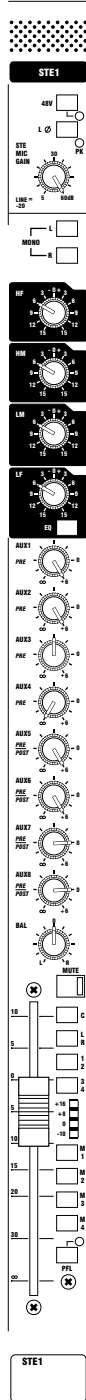
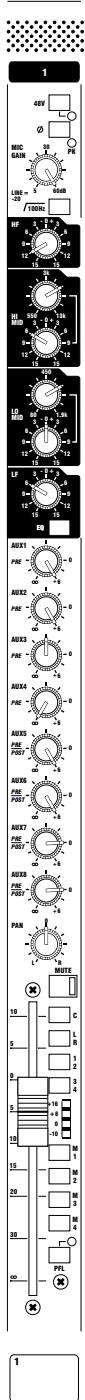
Technical Data

GB4 Modules

Mono Input

Stereo Input

Master Section

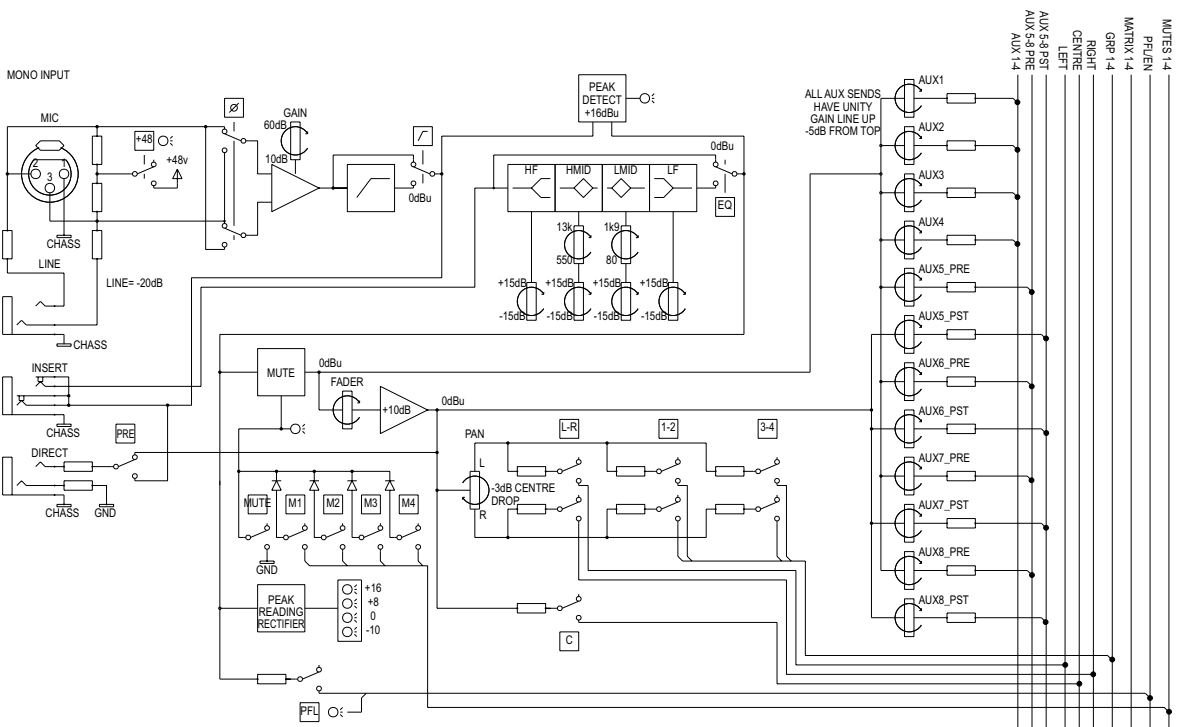


GB4

Technical Data

GB4 Block Diagrams

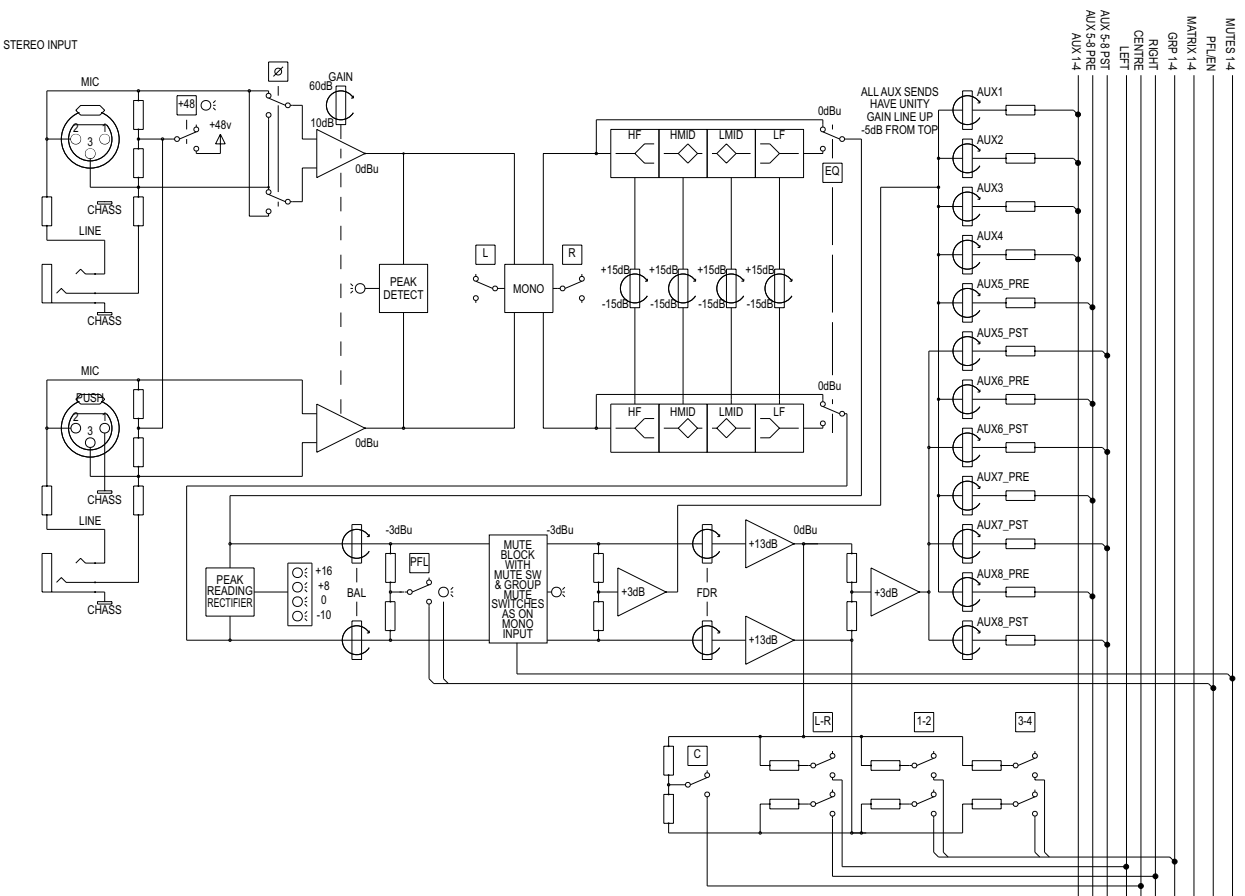
Mono Input



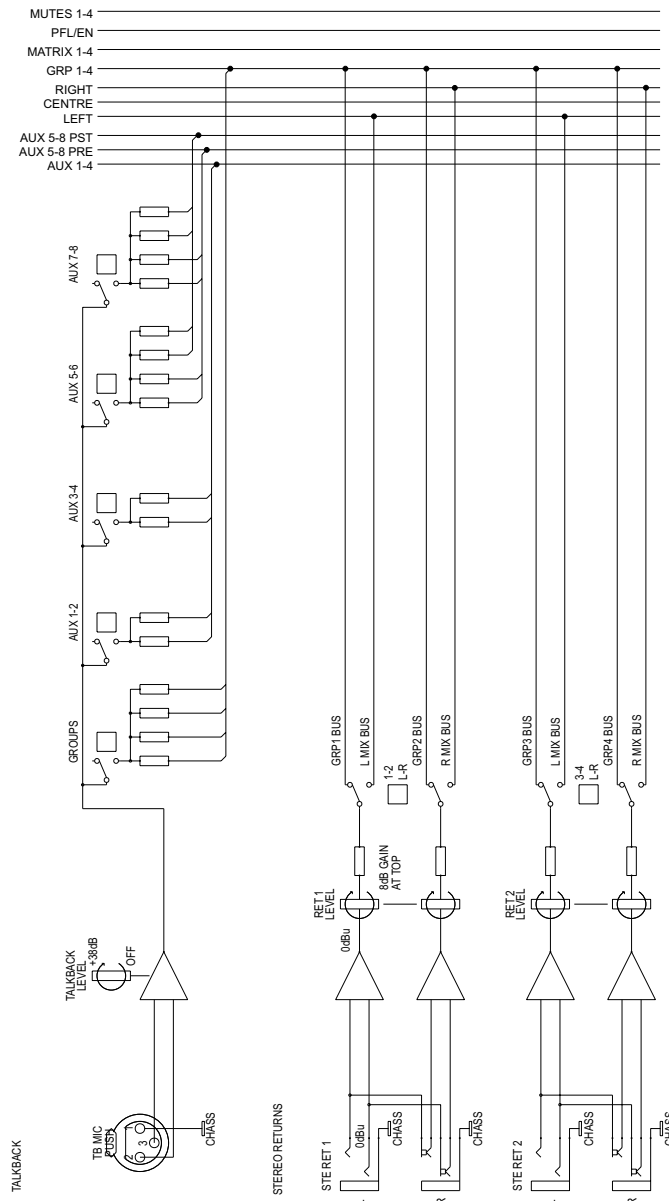
GB4

Technical Data

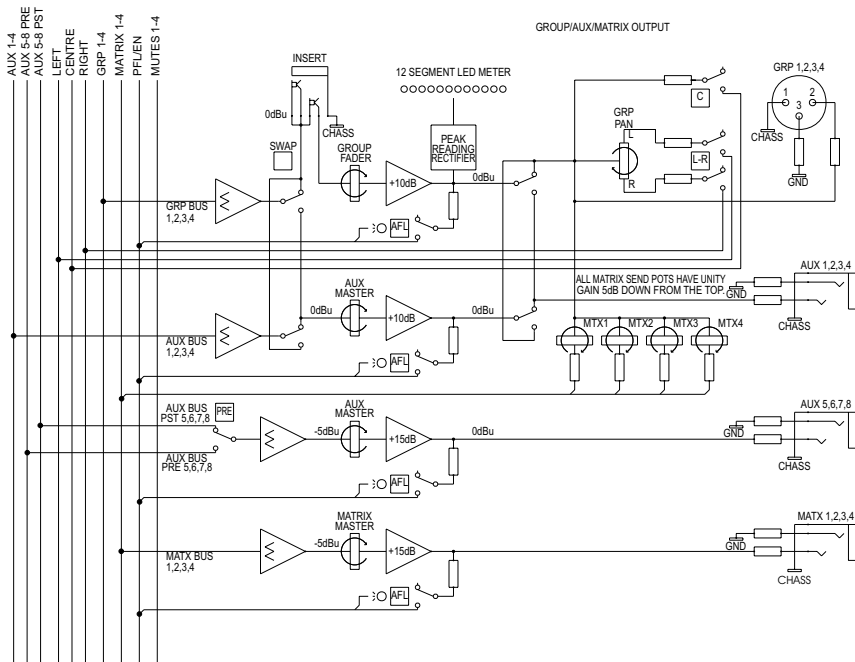
Stereo Input



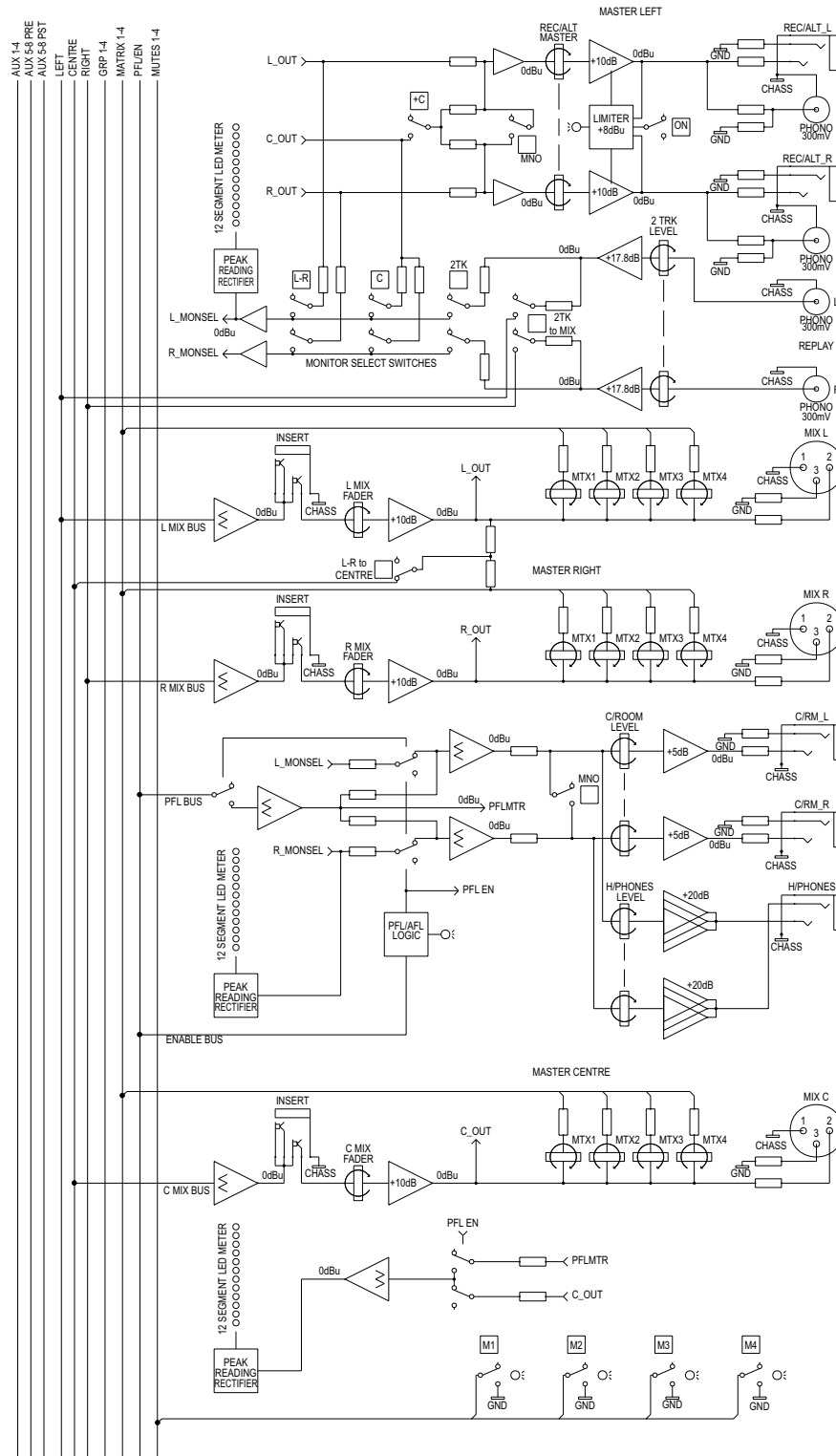
Talkbacks & Stereo Returns



Groups/Aux/Matrix Outputs



Master Section





Technical Data

Specifications

Noise

Measured RMS, 22Hz to 22kHz Bandwidth

Mic E.I.N. @ unity gain, 150W source impedance	-128dBu
Mix Output, 40 inputs routed to mix	<-82dBu
Group Outputs	<-83dBu
Aux Outputs	<-80dBu
Matrix Outputs	<-89dBu
Crosstalk (@1kHz, typical)	
Input Channel Mute	<-97dB
Input Fader cut-off	<-95dB
Pan isolation	<-77dB
Mix route isolation	<-97dB
Group route isolation	<-97dB
Adjacent channel crosstalk	<-99dB
Group to Mix	<-89dB
Aux Send pots offness (typical)	<-84dB
Matrix Send pots offness (typical)	<-89dB

Frequency Response

Mic/Line Input to any output, 20Hz - 20kHz	<1dB
THD + N	
Mic sens. -30dBu, +20dBu at all outputs @1kHz	<0.006%

CMRR

Typical @ 1kHz	80dB
----------------------	------

Input & Output Max Levels

Mono & Stereo Mic Inputs	+15dBu
Mono & Stereo Line Inputs	+30dBu
Stereo Returns & Insert Returns	+20dBu
Any output	+20dBu
Nominal Operating Level	0dBu
Headphone Power	2x250mW into 200Ω

Input & Output Impedances

Mic Inputs	2kΩ
Line Inputs and Stereo Returns	10kΩ
Input channels Insert Return	5kΩ with EQ in, otherwise 3kΩ
Mix, Group, Aux, Matrix & Direct outputs	150Ω
Insert sends	75Ω
Recommended Headphone Impedance	50 - 600Ω

EQ

HF	13kHz, +/-15dB, 2nd order shelving
Hi-Mid	550Hz - 13kHz, +/-15dB, Q=1.5
Lo-Mid	80Hz - 1.9kHz, +/-15dB, Q=1.5
LF	80Hz, +/-15dB, 2nd order shelving

Dimensions & Weight

Height	
All frame sizes	159mm (6.26")
Width	
12 channel	730mm (28.73")
16 channel	842mm (33.13")
24 channel	1065mm (41.93")
32 channel	1300mm (51.17")
40 channel	1523mm (59.96")
Depth	
All frame sizes	656mm (25.83")
Weight	
12 channel	20 kg (44.1 lbs)
16 channel	22 kg (48.5 lbs)
24 channel	27 kg (59.5 lbs)
32 channel	32 kg (70.5 lbs)
40 channel	37 kg (81.6 lbs)

SOUNDCRAFT, Harman International Industries Ltd., Cranborne House, Cranborne Road, Potters Bar, Herts., EN6 3JN U.K.
Tel: +44 (0) 1707 665000 Fax: +44 (0) 1707 660742 EMAIL: info@soundcraft.com

SOUNDCRAFT USA, Harman Pro North America, 8500 Balboa Blvd., Northridge, CA 91329, USA
Main tel: +1 818 920 3212, Main fax: +1 818 920 3208, Direct toll free: 888 251 8352
EMAIL: soundcraft-usa@harman.com

www.soundcraft.com