



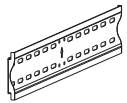


Table Top TV Stand





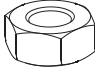
AC-TVSTD-TT

Parts Checklist

AC-TVSTD-TT



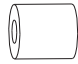
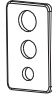

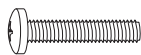
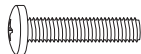
PART	DESCRIPTION	QTY
1		1
2		1
3		1
4		2
A		4

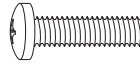

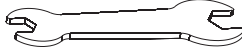

PART	DESCRIPTION	QTY
B	 ø6xø16x3mm	2
C	 ø6xø16xT1.6mm	6
D	 M6x40mm	2
E	 M6x50mm	4
F	 M6x4mm	4

Small Parts Checklist

AC-TVSTD-TT



PART	DESCRIPTION	QTY
G	 M8x10mm	4
H		4
I	 M4x20mm	4
J	 M5x20mm	4
K	 M6x20mm	4

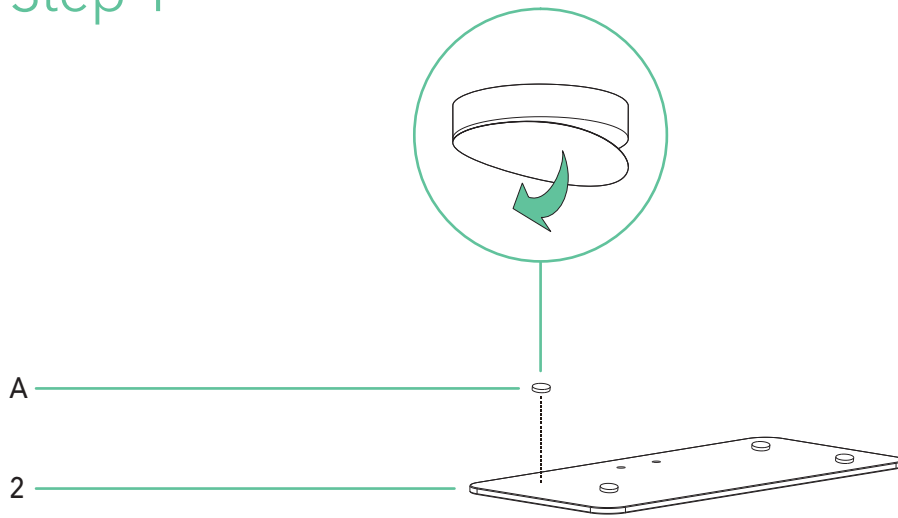
PART	DESCRIPTION	QTY
L	 M8x20mm	4
M		2
N		1
O		1

Install the Stand

AC-TVSTD-TT

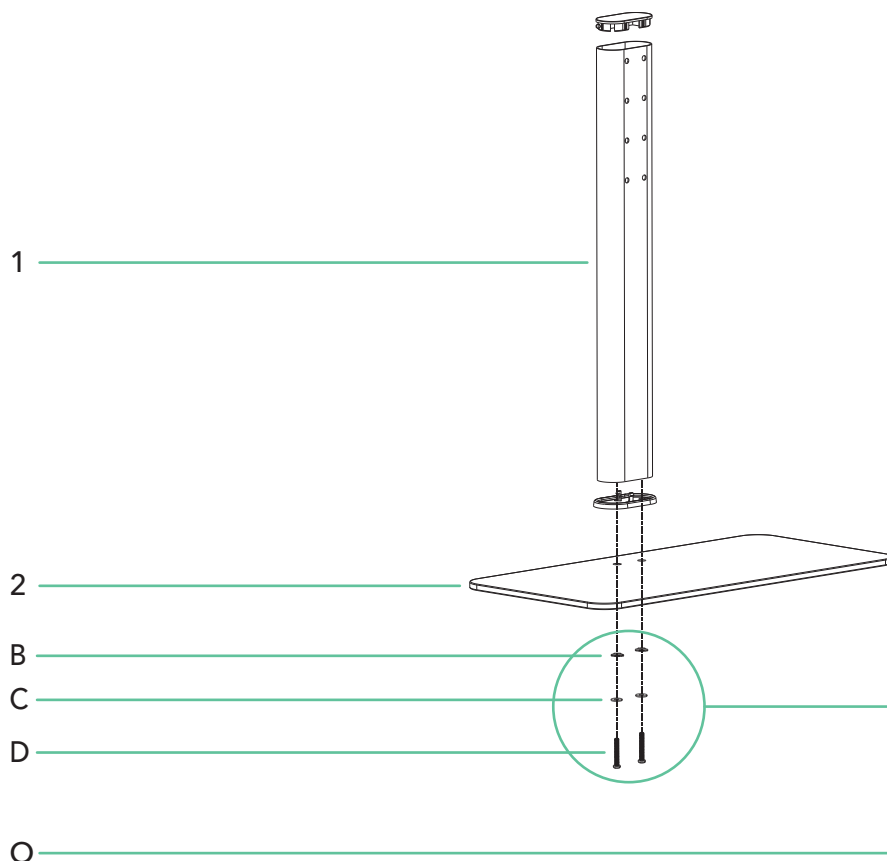





Step 1



PART	DESCRIPTION	QTY
A		4

Step 2



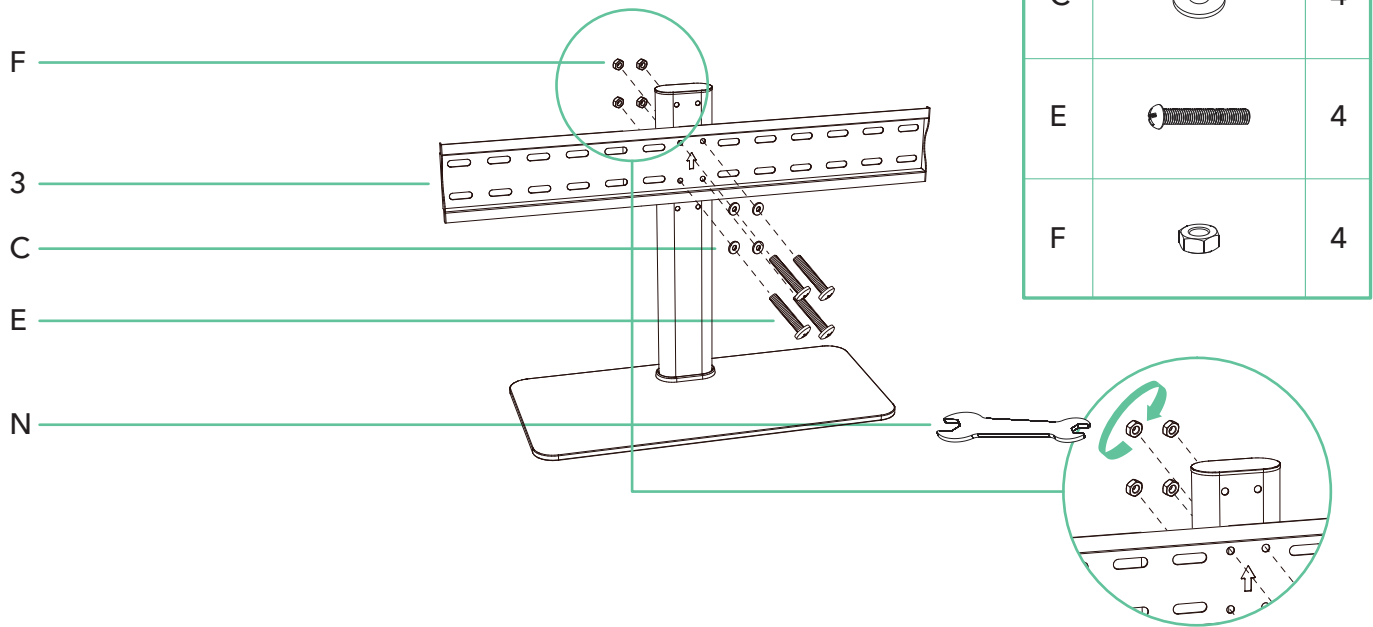
PART	DESCRIPTION	QTY
B		2
C		2
D		2

Install the Stand

AC-TVSTD-TT

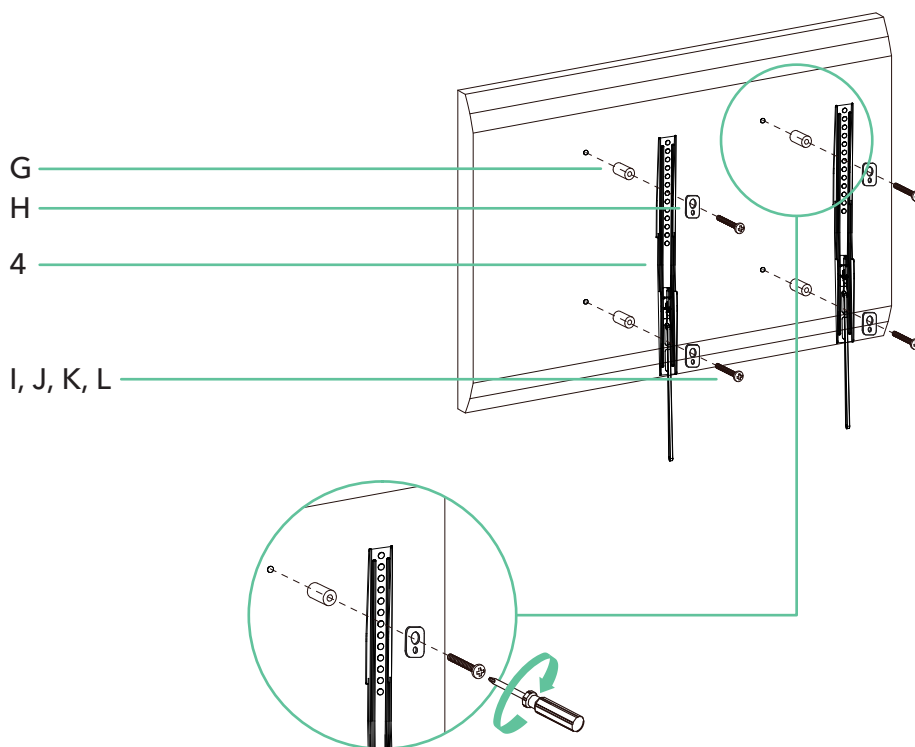


Step 3



PART	DESCRIPTION	QTY
C		4
E		4
F		4

Step 4 - Install the TV



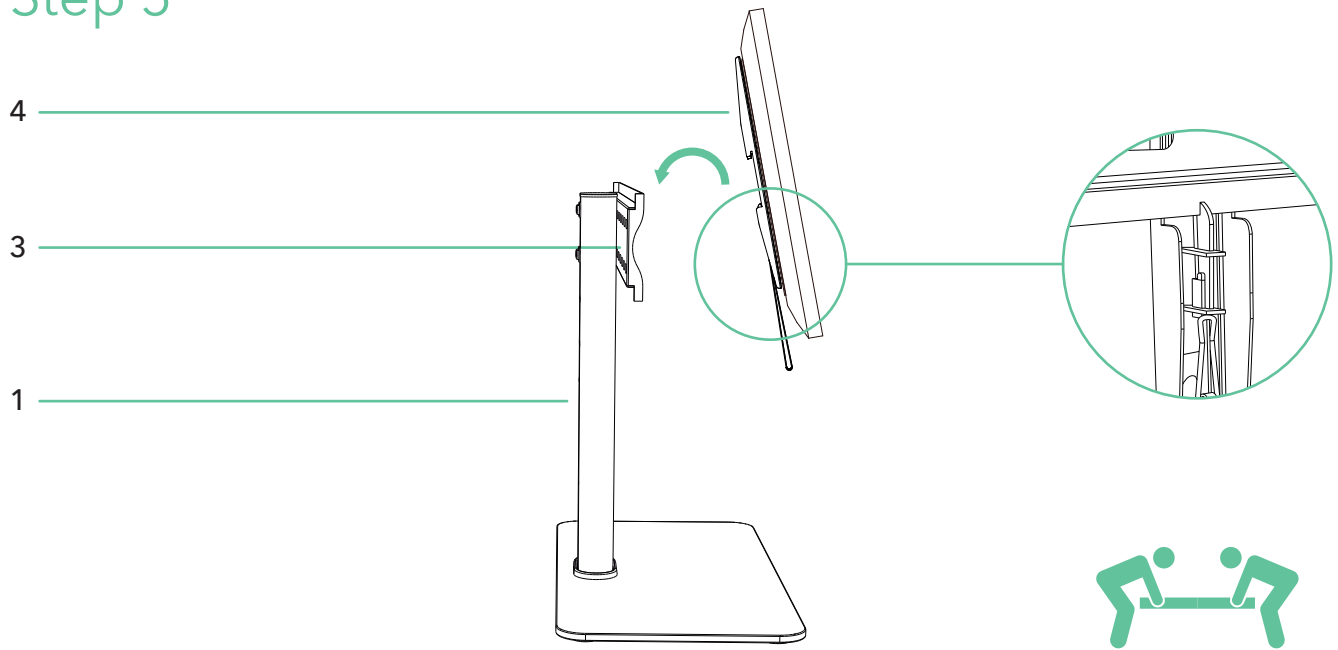
PART	DESCRIPTION	QTY
G		4
H		4
I		4
J		4
K		4
L		4

Install the TV

AC-TVSTD-TT

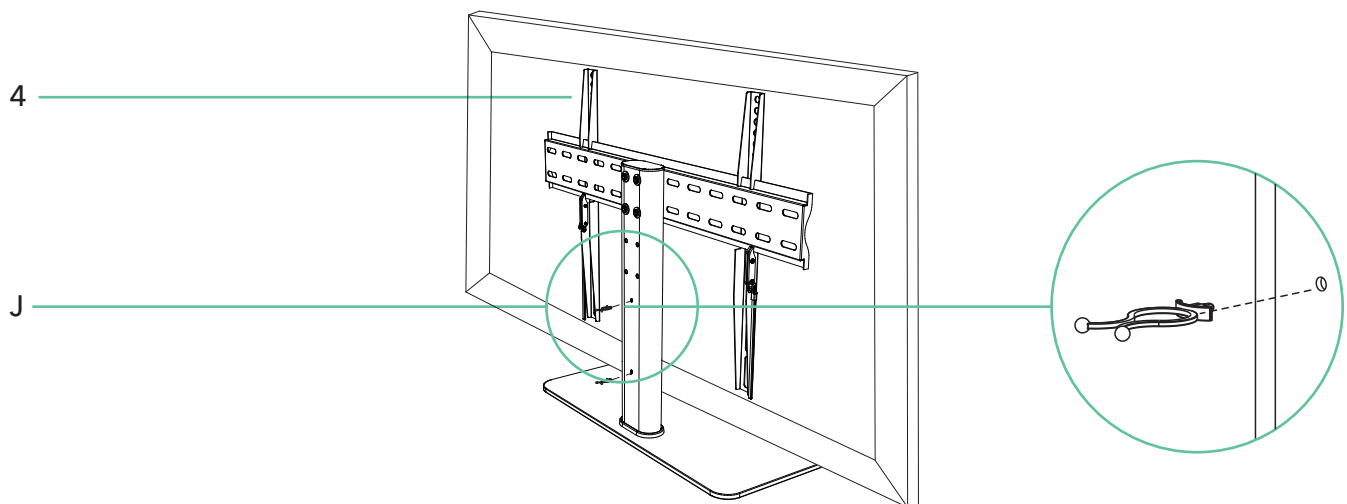


Step 5



Step 6

PART	DESCRIPTION	QTY
J		2



AC-TVSTD-TT



www.av.com

Unit 4 The Sidings | New Line Industrial Estate | Bacup | OL13 9RW
Kettlestring Lane | York | YO30 4XF | United Kingdom
Lahnstraße 27 | 45478 Mülheim An Der Ruhr | Deutschland

if you have any more questions about this product, please do not hesitate to contact the Gear4music customer service team on: +44 (0) 330 365 4444 or info@gear4music.com