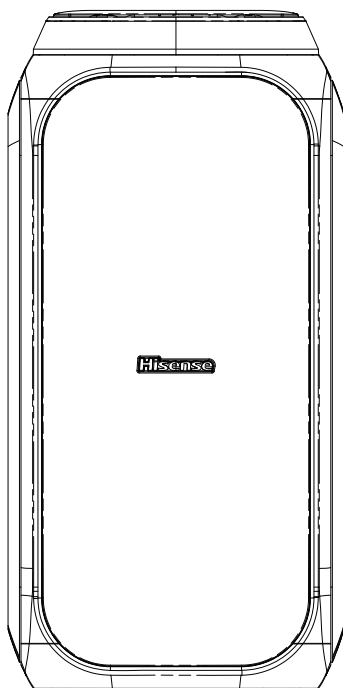


PARTY SPEAKER

Model: Party Rocket 160



USER MANUAL



Read all the safety instructions carefully before use and keep this instruction manual for future reference

Contents

Important Safety Instructions	3
Features	5
Package Contents	5
Product Diagram	6
Top View	6
Rear View	7
Connections	8
Connect Power	8
AUX IN Socket	8
MIC IN Socket	8
Basic Operation	9
Standby/ON	9
Adjust the Volume	9
Vocal fader.....	9
Bass settings	9
Adjust the LED light	9
AUX IN Operation	9
Bluetooth Operation	10
Pair Bluetooth-enabled Devices.....	10
Listen to Music from Bluetooth Device.....	10
TWS Connection	10
USB Operation	11
USB Operation	11
Charging from the USB Port.....	11
Battery Charging For Party Speaker	12
Built-in Battery Charging.....	12
Troubleshooting	13
Specifications	14

Important Safety Instructions




The lightning flash with arrowhead symbol, within an equilateral triangle, is intended to alert the user to the presence of uninsulated “dangerous voltage” within the product’s enclosure that may be of sufficient magnitude as to constitute a risk of electric shock to persons.



The exclamation point within an equilateral triangle is intended to alert the user to the presence of important operating and maintenance (servicing) instructions in the literature accompanying the appliance.

Safety

- 1 **Read these instructions** – All the safety and operating instructions should be read before this product is operated.
- 2 **Keep these instructions** – The safety and operating instructions should be retained for future reference.
- 3 **Heed all warnings** – All warnings on the appliance and in the operating instructions should be adhered to.
- 4 **Follow all instructions** – All operating and usage instructions should be followed.
- 5 **Do not use this apparatus near water** – The appliance should not be used near water or moisture – for example, in a wet basement or near a swimming pool and the like.
- 6 **Clean only with a dry cloth.**
- 7 **Do not block any ventilation openings.** Install in accordance with the manufacturer’s instructions.
- 8 Do not install near any heat sources such as radiators, heaters, stoves, or other apparatus (including amplifiers) that produce heat.
- 9 Do not defeat the safety purpose of the polarized or grounding plug. A polarized plug has two blades with one wider than the other. A grounding plug has two blades and a third grounding prong. The wide blade or the third prong is provided for your safety.
- 10 Protect the power cord from being walked on or pinched particularly at plugs, convenience receptacles, and the point where they exit from the apparatus.
- 11 Only use attachments/accessories specified by the manufacturer.
- 12  Use only with the cart, stand, tripod, bracket or table specified by the manufacturer, or sold with the apparatus. When a cart or rack is used, use caution when moving the cart/apparatus combination to avoid injury from tip-over.
- 13 Unplug the apparatus during lightning storms or when unused for long periods of time.
- 14 Refer all servicing to qualified personnel. Servicing is required when the apparatus has been damaged in any way, such as power supply cord or plug is damaged, liquid has been spilled or objects have fallen into the apparatus, the unit has been exposed to rain or moisture, does not operate normally, or has been dropped.
- 15 This equipment is a Class II or double insulated electrical appliance. It has been designed in such a way that it does not require a safety connection to electrical earth.
- 16 The apparatus shall not be exposed to dripping or splashing. No objects filled with liquids, such as vases, shall be placed on the apparatus.
- 17 Minimum distance around the apparatus for sufficient ventilation is 5cm.
- 18 The ventilation should not be impeded by covering the ventilation openings with items, such as newspapers, table-cloths, curtains, etc.
- 19 No naked flame sources, such as lighted candles, should be placed on the apparatus.
- 20 Batteries should be recycled or disposed of as per state and local guidelines.
- 21 The use of apparatus in moderate or tropical climates.

Caution:

- Use of controls or adjustments or performance of procedures other than those described herein, may result in hazardous radiation exposure or other unsafe operation.
- To reduce the risk of fire or electric shock, do not expose this apparatus to rain or moisture. The apparatus must not be exposed to dripping or splashing and objects filled with liquids, such as vases, must not be placed on apparatus.
- The mains plug/appliance coupler is used as the disconnect device, the disconnect device must remain readily operable.
- Danger of explosion if battery is incorrectly replaced. Replace only with the same or equivalent type.

Warning

- The battery (batteries or battery pack) shall not be exposed to excessive heat such as sunshine, fire or the like.
- Before operating this system, check the voltage of this system to see if it is identical to the voltage of your local power supply.
- Do not place this unit close to strong magnetic fields.
- Do not place this unit on the amplifier or receiver.
- If any solid object or liquid falls into the system, unplug the system and have it checked by qualified personnel before operating it any further.
- Do not attempt to clean the unit with chemical solvents as this may damage the finish. Use a clean, dry or slightly damp cloth.
- When removing the power plug from the wall outlet, always pull directly on the plug, never yank on the cord.
- Changes or modifications to this unit not expressly approved by the party responsible for compliance will void the user's authority to operate the equipment.
- The rating label is pasted on the bottom or back of the equipment.

Battery usage CAUTION

To prevent battery leakage which may result in bodily injury, property damage, or damage to the apparatus:

- Install all batteries correctly, + and - as marked on the apparatus.
- Do not mix old and new batteries.
- Do not mix alkaline, standard (Carbon-Zinc) or rechargeable (Ni-Cd, Ni-MH, etc.) batteries.
- Remove batteries when the unit is not used for a long time.



Correct Disposal of this product. This marking indicates that this product should not be disposed with other household wastes throughout the EU. To prevent possible harm to the environment or human health from uncontrolled waste disposal, recycle it responsibly to promote the sustainable reuse of material resources. To return your used device, please use the return and collection systems or contact the retailer where the product was purchased. They can take this product for environmental safe recycling.

Hereby, XinYang (Hong Kong) Co., Ltd. Declares that the radio equipment type is in compliance with Directive 2014/53/EU and Radio Equipment Regulations 2017 of UK. Please enter the model name at the following internet address to read the full text of the declaration of conformity: <https://global.hisense.com/support/certificate-download/>.

Authorized EU Representative:

Name: Gorenje gospodinjski aparati, d.o.o.

Address: Partizanska cesta 12, 3320Velenje, Slovenija

Email: info@gorenje.com

Please refer to the rating label for Soundbar or Party Speakers model name and find Bluetooth remote control model name on the remote control label or inside the remote control cover.



The Bluetooth® word mark and logos are registered trademarks owned by Bluetooth SIG, Inc. We are the licensee to use such marks. Other trademarks and trade names are those of their respective owners.



Features

Thanks for your purchase of our product. Please read through this manual before making connections and operating this product. Retain this manual for future reference.

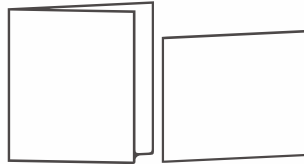
- Bluetooth playback
- AUX IN
- USB slot
- Microphone function
- Multiple light effect mode
- BASS sound effect mode

EN

Package Contents



Main Unit



User Manual
Warranty Card

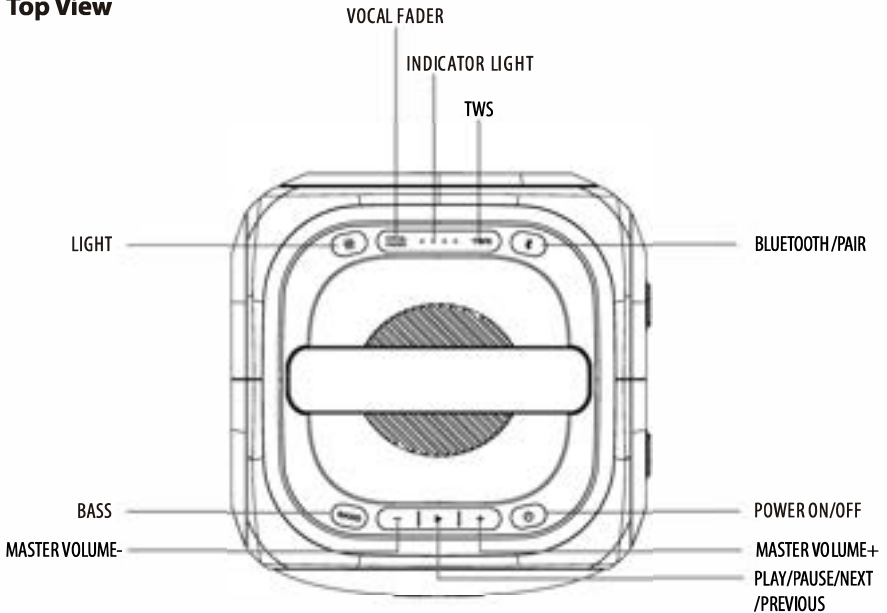


* AC adaptor

*AC adaptor quantity and plug type vary by regions.

Product Diagram

Top View

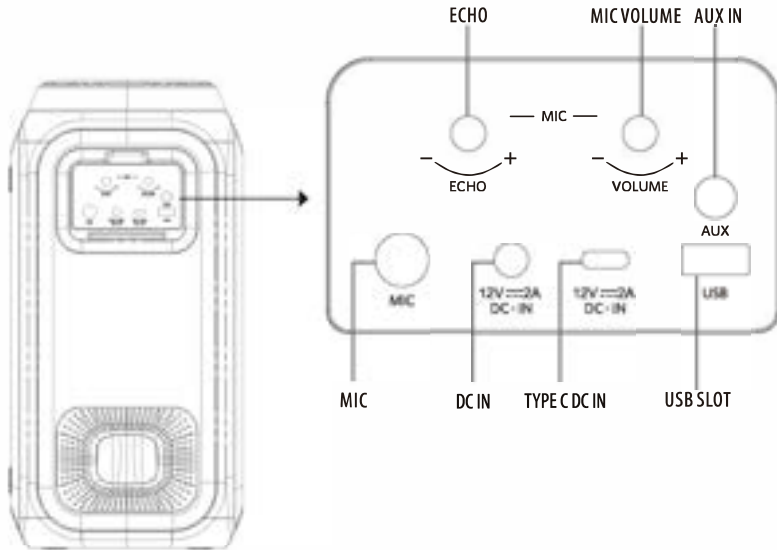


Party Rocket 160

LIGHT ☀️	Select the different lighting mode of LED indicator
POWER ON/OFF ⏻	Power on/off
INDICATOR LIGHT	Built-in battery charging indicator
MASTER VOLUME (- +)	Increase/Decrease the volume level
BASS	ON/OFF the BASS mode
PLAY/PAUSE/NEXT/PREVIOUS ▶	Press once time to play or pause track. Press twice continuously to skip to the next track. Press three times continuously to return to the previous track.
TWS	Press to enter the TWS pairing mode. Press and hold to disconnect the TWS connection.
VOCAL FADER	Switch between vocal fader on and vocal fader off
BLUETOOTH/PAIR ✎	Press to enter the Bluetooth mode. Press and hold to disconnect the Bluetooth connection.

Product Diagram

Rear View



EN

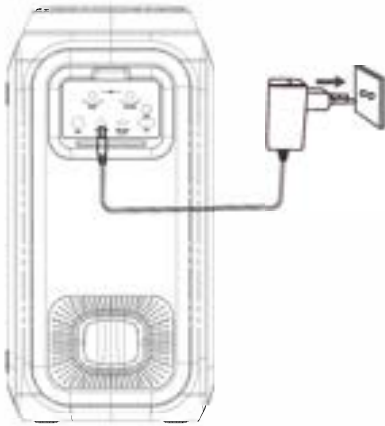
Party Rocket 160

DC IN	DC input socket(Available for charging the unit by AC adaptor)
TYPE C DC IN	TYPE C DC input port(Note:This type C port only supports PD and QC2 fast charging protocols DC 12V --- 2A)
ECHO	Increase/decrease the mic echo volume level
MIC VOLUME	Increase/decrease the mic volume level
USB SLOT	USB slot
AUX IN	AUX input socket
MIC	MIC socket

Connections

Connect Power

Rear panel of the main unit

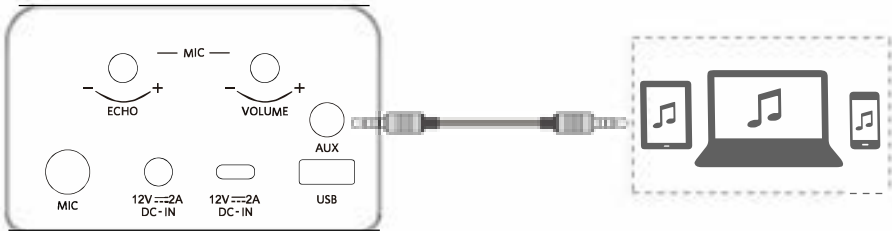


Risk of product damage!

Ensure that the power supply voltage corresponds to the voltage printed on the back of the unit.

-Insert the AC adaptor plug into a mains socket.

AUX IN Socket



This unit has a audio input terminal. You can input the analogue stereo audio signals from extra devices such as mobile phones, MP3, PAD and other handheld low-power audio playback devices, etc.

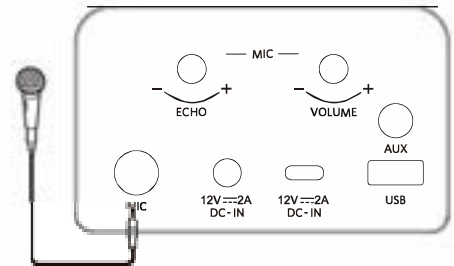
Use the audio cable with a 3.5mm connector to connect the input terminal **AUX IN** on the rear panel of the unit, the unit switches to the AUX IN mode automatically.

MIC IN Socket

Insert the microphone into the microphone socket on the rear panel and adjust to a low level using the microphone volume knob on the rear panel.


Adjust the microphone volume level to your desired level using the microphone volume knob on the rear panel.

Now, enjoy the karaoke singing!



Basic Operation

Standby/ON

- Press and hold the  button for 3 seconds to switch on/off the unit.
- Disconnect the main plug from the main socket if you want to switch the unit off completely.
- When there is no input signal from the unit more than 15 minutes, it will switch to Standby mode automatically.

EN

Adjust the Volume

- Press the **VOL+/VOL-** button on the unit to adjust the volume.



Vocal fader

- Press to switch between in VOCAL FADER ON/VOCAL FADER OFF.

Bass settings

- Press BASS button to select BASS ON / BASS OFF.

Adjust the LED light

- Press the  button repeatedly to select the LED effect: LED OFF, LED1, LED2, LED3, LED4, LED5.
- Press and hold  to switch ON/OFF the strobe light.

AUX IN Operation

- 1 Ensure that the unit is connected to the TV or the other audio devices, the unit will switch to the AUX IN mode automatically.
- 2 Operate your audio device directly for playback features.
- 3 Press the **VOL+/VOL-** button to adjust the volume to your desired level.

NOTE: When the speaker in power off state and there is no USB or AUX connection, the default is Bluetooth mode in power on state.

Auto Switch

- 1.If the unit was connected with your Bluetooth device via Bluetooth stream, once USB inserted, the unit will disconnect the Bluetooth connection and switch to USB mode automatically.
- 2.If the unit was connected with your Bluetooth device via Bluetooth stream, once Aux in cable inserted, the unit will disconnect the Bluetooth connection and switch to Aux mode automatically.

Manual Switch

In connected USB mode or Aux mode, press Bluetooth button on the unit to switch Bluetooth mode and connect to the last connected Bluetooth device automatically.

Bluetooth Operation

Pair Bluetooth-enabled Devices

The first time you connect your Bluetooth device to this player, you need to pair your device to this player.

Note:

- The operational range between this player and a Bluetooth device is approximately 8 meters (without any object between the Bluetooth device and the unit).
 - Before you connect a Bluetooth device to this unit, ensure you know the device's capabilities.
 - Compatibility with all Bluetooth devices is not guaranteed.
 - Any obstacle between this unit and a Bluetooth device can reduce the operational range.
 - If the signal strength is weak, your Bluetooth receiver may disconnect, but it will re-enter pairing mode automatically.
- 1 Press the **⌘** on the unit to select **Bluetooth** mode.
 - 2 The Bluetooth button backlight on the unit will flash blue, the system has entered pairing mode.
 - 3 Activate your Bluetooth device and select the search mode. "**Hisense Party Rocket 160**" will appear on your Bluetooth device.
 - 4 Select "**Hisense Party Rocket 160**" in the pairing list, the system is successfully connected, the Bluetooth button backlight keeps solid blue and you hear a prompt tone of the unit.
 - 5 Begin playing music from the connected Bluetooth device.

To disconnect the Bluetooth function, you can :

- Switch to another function on the unit.
- Disable the Bluetooth function on your device.
- Press and hold the "**⌘**" button on the unit.

Tips:

- Enter "0000" for the password if necessary.
- The player will also be disconnected when your device is moved beyond the operational range.
- If you want to reconnect your device to this player, place it within the operational range.
- If the device is moved beyond the operational range, when it is brought back, please check if the device is still connected to the player.
- If the connection is lost, follow the instructions above to pair your device to the player again.

Listen to Music from Bluetooth Device

If your Bluetooth device supports A2DP, play music via your device.

- Press **▶** button once time to play or pause track.
- Press **▶** button twice continuously to skip to the next track.
- Press **▶** button three times continuously to return to the previous track.
- Press the **VOL+/-** button to increase or decrease the volume.

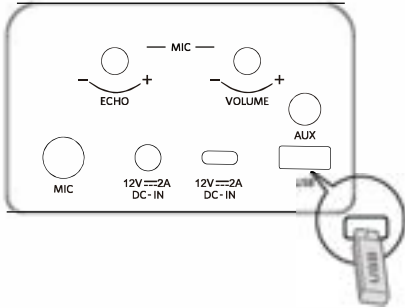
TWS Connection

- This TWS(TRUE WIRELESS STEREO) bluetooth connection only use between the same two speakers.
- Power on both speakers and turn both speakers into Bluetooth mode, press **TWS** button on one of the both speakers, The TWS button backlight on the speaker that is pressed TWS button flashes white, wait a few seconds to pair automatically, once connected successfully, the indicator light of the on the speaker that is pressed TWS button keep solid white.
- Enable your bluetooth device and make sure it is in searching mode.
- Select "**Hisense Party Rocket 160**" from the list of discovered devices and connect to it, the one successfully connected to your bluetooth device will be used as the master, the other speaker is configured as the slave.
- The master speaker will act as the left channel during TWS and will receive the bluetooth signal, the other speaker will act as the right channel to play music.
- Press and hold **TWS** button to disconnect the HOST and the SLAVE speaker connection in TWS connection mode.

USB Operation

USB Operation

EN



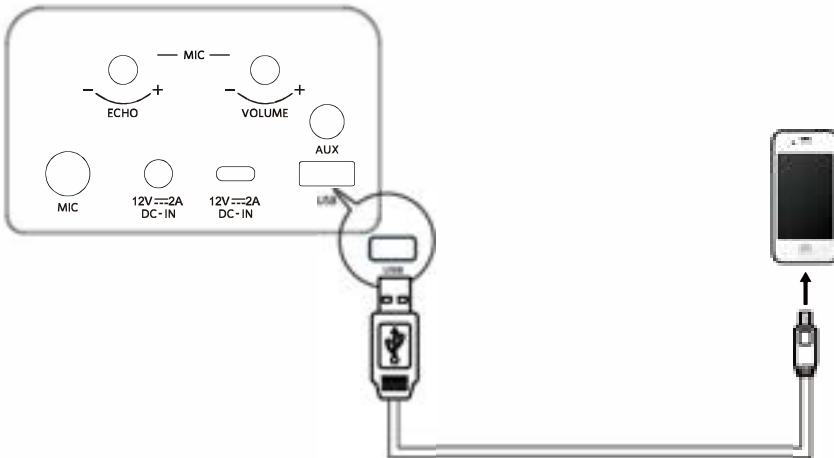
1 Insert a USB drive in USB SLOT on the rear panel of the unit, the unit will switch to the USB mode automatically, the unit will play MP3 track in the connected USB drive.



2 If play does not start automatically, press ► button.



- To skip to the next track, press ► button on the unit twice continuously.

- To skip to the previous track, press ◀ button on the unit three times continuously.

Charging from the USB Port



The Charging  **5V**  1A socket is designed for charging mobile devices (e.g. Mp3 player, mobile phone, etc). It supplies 5V DC at a charging current up to 1000mA (1A).

In power on mode, Use a USB cable (not included) to connect mobile device to Charging  **5V**  1A Socket of the unit and the mobile device will start charging.

Battery Charging For Party Speaker

Built-in Battery Charging

Use the AC adapter(included) to connect DC power input socket on the unit to AC power outlet. the current charging-indicator on the unit will flash during charging, when four charging-indicator on the unit keep solid light that the battery has been fully charged.

The speaker is designed with a smart battery to view battery indicator for your convenience.

4 LED white light up=approx. 100% full

3 LED white light up=approx. 80% full

2 LED white light up=approx. 50% full


1 LED white light up=approx. 20% full

(indicating charging is needed)

Troubleshooting

To keep the warranty valid, never try to repair the system yourself. If you encounter problems when using this unit, review the following before requesting service.

No power

- Ensure that the AC adaptor is properly connected.
- Ensure that there is power at the AC outlet.
- Press  button on the speaker.

I hear buzzing or humming

- Ensure all cables and wires are securely connected.
- Connect a different source device (Blu-ray player, etc) to see if the buzzing persists. If it does not, the problem may be with the original device.
- Connect your device to a different input on the speaker.

I can't find the Bluetooth name of this unit on my Bluetooth device

- Ensure the Bluetooth function is activated on your Bluetooth device.
- Re-pair the unit with your Bluetooth device.

SPECIFICATONS

Model name	Party Rocket 160
------------	------------------

Power supply

Voltage	AC 100-240 V ~ 50/60Hz; DC IN 12V 2A
Max Audio Power	160W
Dimensions(W x H x D)	186x374x185mm

Ambient conditions

In operation	min. 0°C – max. +40°C / 60% relative humidity
Not in operation	min. -10°C – max. +60°C / 65% relative humidity
Built-in battery	Li-ion 5100mAh, 7.2V
Battery charge time	3.5 hours
Battery playtime	12 hours*

System

Frequency range	60Hz~20kHz (-12dB)
Signal-to-noise	>80dB
USB port	USB 2.0 to 32GB WAV \ WMA \ MP3
USB output	Output: 5V 1A max.

Bluetooth®

Bluetooth Version	5.0
Bluetooth Transmitter Power	<10dBm
Frequency Range	2.4GHz-2.4835GHz

Proof-water

Proof-water level	IPX4
-------------------	------

*12 hrs battery playtime is only for reference and may vary depending on music content and battery aging after numerous charging and discharging cycles. It's achievable with a predefined music source, light show switch off, volume level and BT streaming source.

*If only powered by the battery, the Power would lowered automatically to protect the battery.

Hisense
Party Rocket 160

PARTY SPEAKER
Made In China