



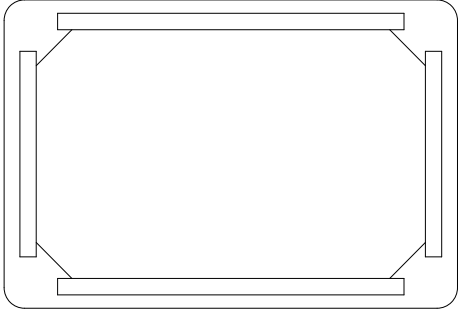
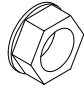

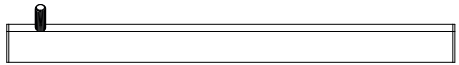
PIANO STOOL

PB-1

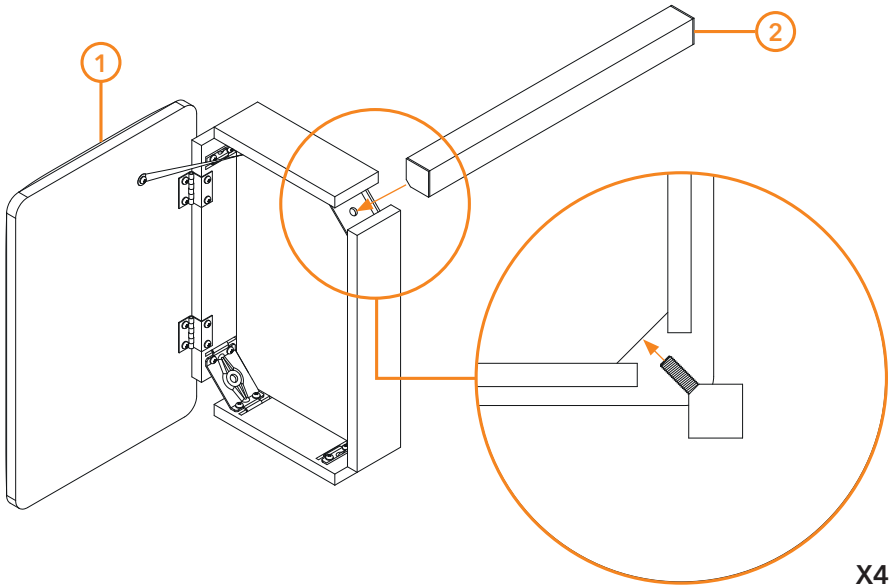
SETUP GUIDE

CONTENTS CHECKLIST

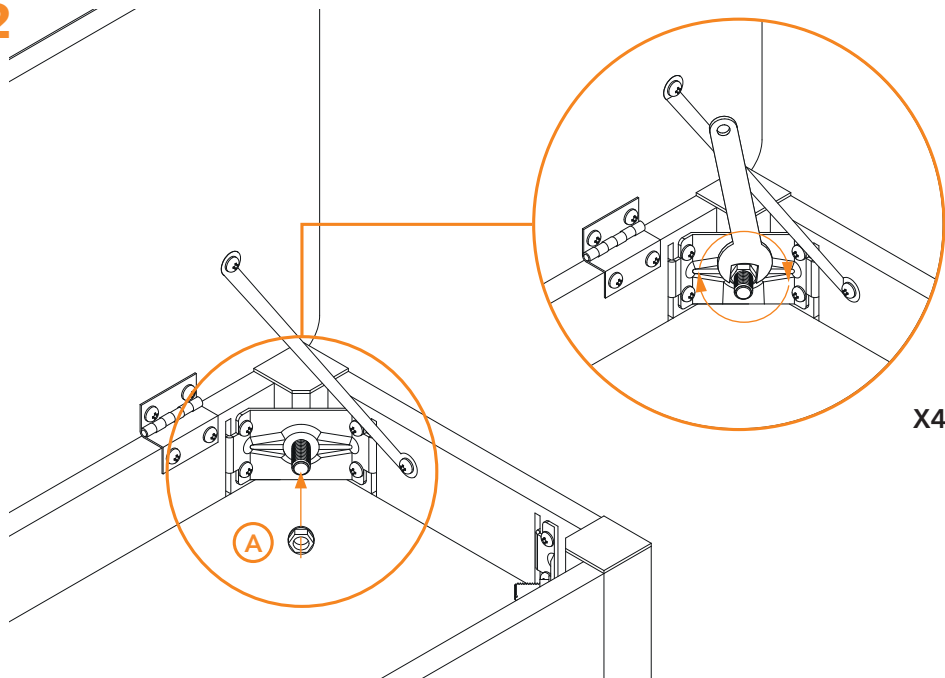
First, check the contents of the package and make sure you have everything you need to complete the assembly of this product.

<p>1</p>  <p>X1</p>	<p>A</p>  <p>X4</p> <p>TOOL REQUIRED</p> 
<p>2</p>  <p>X4</p>	

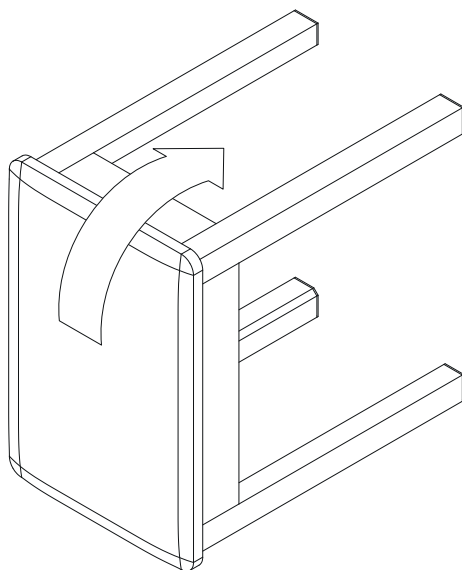
1



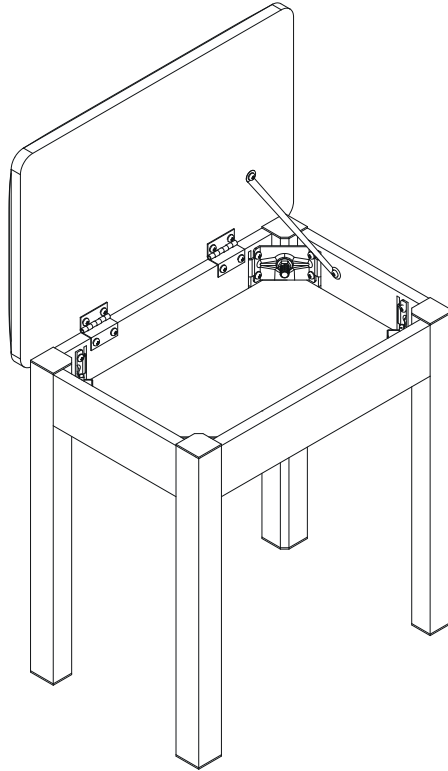
2



3



4



WWW.GEAR4MUSIC.COM

KETTLESTRING LANE | YORK | YO30 4XF | UNITED KINGDOM
LAHNSTRASSE 27 | 45478 MÜLHEIM AN DER RUHR | DEUTSCHLAND

If you have any more questions about this product, please do not hesitate to contact the Gear4music
Customer Service Team on: **+44 (0) 330 365 4444** or **info@gear4music.com**