

## Portable Speakers

# VENUE

## TVX118B

18" Front Loaded Subwoofer for  
Portable PA and Installation Applications

- Front loaded subwoofer for portable PA and installation applications
- 600 Watts continuous, 2,400 Watts peak power
- Ideal for FOH, side and drum fill applications
- Carbon fibre loaded 18" low frequency driver with polyester suspension
- Switchable input and link connections for 4 core speaker cables
- Low distortion bass reflex port design
- 18 mm (¾") birch plywood enclosure with hard wearing semi matt black paint finish
- Rugged powder coated perforated steel mesh grille
- 35 mm pole mount to support satellite speaker
- Durable handles for easy lifting and carrying
- Neutrik speakON\* NL4 connectors for reliable long life operation
- 3-Year Warranty Program\*\*
- Designed and engineered in England



The 2,400-Watt TVX118B is a front loaded 18" subwoofer system that is ideally suited for a wide range of portable speech and music sound reinforcement applications. Engineered to work in conjunction with TURBOSOUND loudspeaker management systems, the TVX118B provides optimal FOH performance, as well as exceptional drum and side fill monitoring duties.



The bass reflex port design enclosure, has a high powered carbon fibre loaded 18" low frequency driver that utilizes a specialised voice coil wound on both the inside and outside of the coil former for higher magnetic density, heat dissipation, high power handling capacity, and improved efficiency. The TVX118B subwoofer provides fast and accurate transient response for virtually distortion-free operation – even in the most demanding performances.

Finished in a highly durable semi matt black paint, the cabinet is constructed from 18 mm (¾") birch plywood – and includes a rugged powder coated perforated steel mesh grille backed with reticulated foam, an integral 35 mm pole mount for satellite speaker applications, and durable carry handles that are strategically placed for easy transport. The rear panel connector plate carries Neutrik speakON\* NL4 connectors, with switchable input and link connections to accommodate standalone subwoofer applications, or subwoofer and satellite speaker connectivity via 4 core speaker cabling.

\*All third-party trademarks are the property of their respective owners. Their use neither constitutes a claim of the trademark nor affiliation of the trademark owners with MUSIC Group. Product names are mentioned solely as a reference for compatibility, effects and/or components.

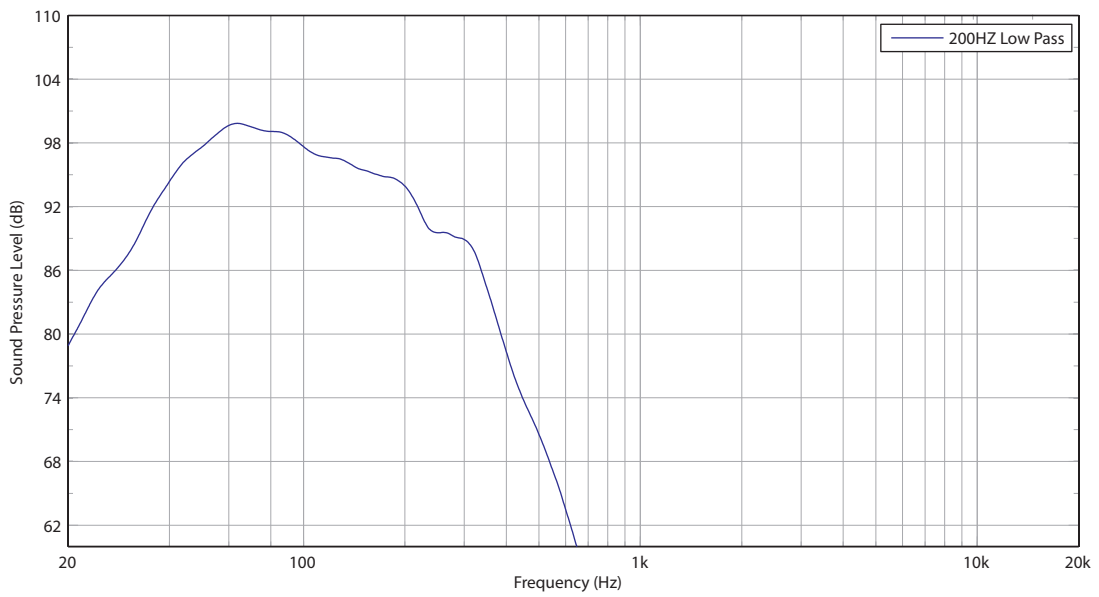
\*\*Warranty details can be found at [music-group.com](http://music-group.com).

Portable Speakers

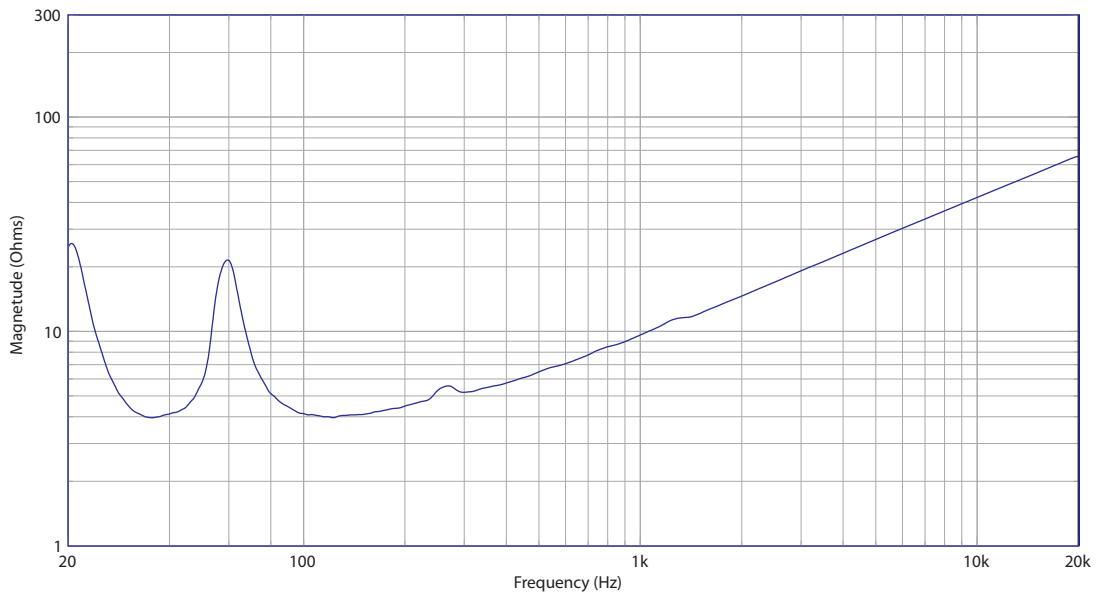
# VENUE TVX118B

18" Front Loaded Subwoofer for  
Portable PA and Installation Applications

## Frequency Response Sensitivity 1 W / 1 m



## Impedance

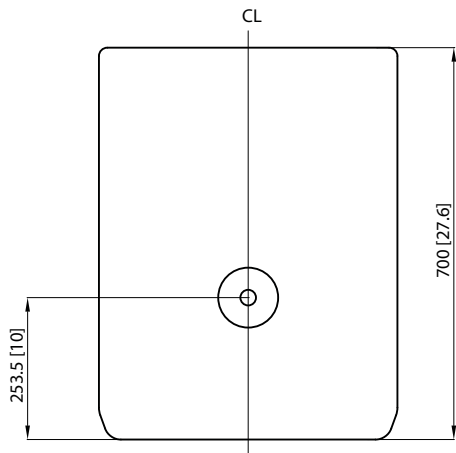


Portable Speakers

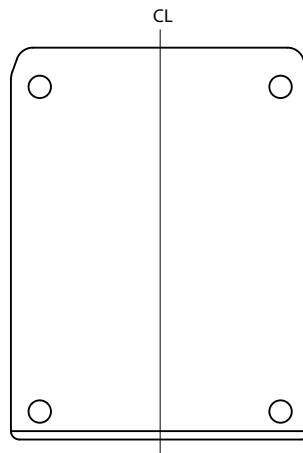
# VENUE TVX118B

18" Front Loaded Subwoofer for  
Portable PA and Installation Applications

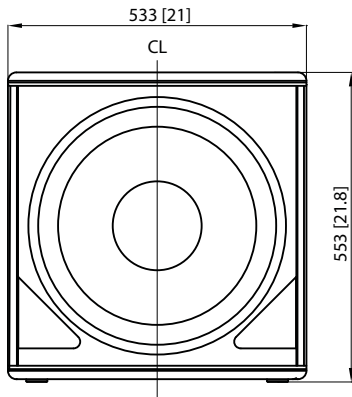
## Dimensions



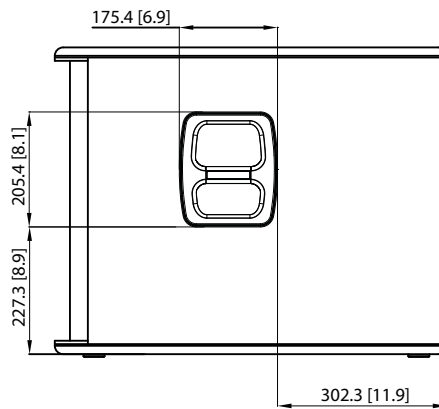
TOP



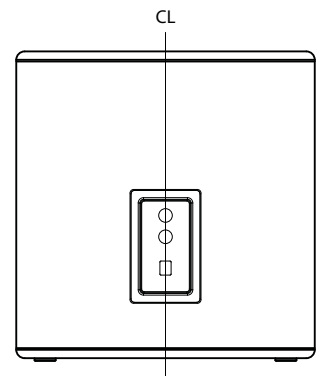
BOTTOM



FRONT



SIDE



BACK

## Portable Speakers

# VENUE

## TVX118B

18" Front Loaded Subwoofer for  
Portable PA and Installation Applications

### Technical Specifications

#### System

Frequency Response	40 Hz – 200 Hz $\pm$ 3 dB 32 Hz – 200 Hz -10 dB
Nominal Dispersion	Half space
Power Handling (IEC)	
Passive	600 W continuous, 2,400 W peak
Sensitivity	97 dB
Maximum SPL	125 dB continuous, 131 dB peak
Impedance	4 $\Omega$
Components	1 x 18" (460 mm) LF driver

#### Enclosure

Connectors	2 x Neutrik speakON* NL4
Wiring	
Switch position 1+/1-	Pins 1+ / 1- input, pins 2+ / 2- link
Switch position 2+/2-	Pins 1+ / 1- link, pins 2+ / 2- input
Dimensions HWD	553 x 533 x 700 mm (21.8 x 21.0 x 27.6")
Net Weight	34.8 kg (76.6 lbs)
Construction	18 mm (5/8") birch plywood
Finish	Semi matt black paint
Grille	Powder-coated perforated steel

Portable Speakers

# VENUE TVX118B

18" Front Loaded Subwoofer for  
Portable PA and Installation Applications



Portable Speakers

# VENUE TVX118B

18" Front Loaded Subwoofer for  
Portable PA and Installation Applications



Portable Speakers

# VENUE TVX118B

18" Front Loaded Subwoofer for  
Portable PA and Installation Applications



For service, support or more information contact the TURBOSOUND location nearest you:

**Europe**  
**MUSIC Group Services UK**  
Tel: +44 156 273 2290  
Email: CARE@music-group.com

**USA/Canada**  
**MUSIC Group Services NV Inc.**  
Tel: +1 702 800 8290  
Email: CARE@music-group.com

**Japan**  
**MUSIC Group Services JP K.K.**  
Tel: +81 3 6231 0454  
Email: CARE@music-group.com

MUSIC Group accepts no liability for any loss which may be suffered by any person who relies either wholly or in part upon any description, photograph, or statement contained herein. Technical specifications, appearances and other information are subject to change without notice. All trademarks are the property of their respective owners. MIDAS, KLARK TEKNIK, TURBOSOUND, BEHRINGER, BUGERA and DDA are trademarks or registered trademarks of MUSIC Group IP Ltd. © MUSIC Group IP Ltd. 2014 All rights reserved.

