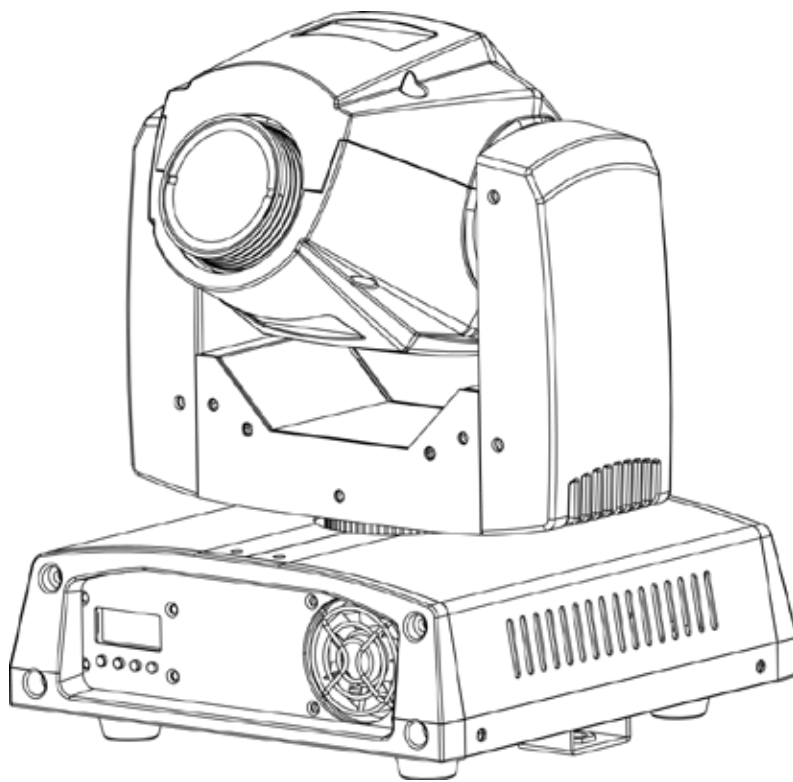


# INTIMIDATOR SPOT 155

User Manual



**CHAUVET®**

---

# TABLE OF CONTENTS

<b>1. Before You Begin</b> .....	<b>3</b>
What Is Included .....	3
Unpacking Instructions .....	3
Claims.....	3
Text Conventions .....	3
Symbols .....	3
Disclaimer .....	3
Product at a Glance .....	4
Safety Notes.....	4
<b>2. Introduction</b> .....	<b>5</b>
Product Overview .....	5
Product Dimensions .....	6
<b>3. Setup</b> .....	<b>7</b>
AC Power .....	7
Fuse Replacement.....	7
Power Linking .....	7
Mounting .....	8
Orientation .....	8
Rigging .....	8
<b>4. Operation</b> .....	<b>9</b>
Control Panel Operation.....	9
Menu Map.....	9
Configuration (DMX) .....	10
Starting Address .....	10
DMX Personalities .....	10
DMX Assignments.....	10
11CH .....	10
11CH (cont.) .....	11
6CH .....	12
Configuration (Standalone) .....	13
Automatic Mode.....	13
Sound-Active Mode .....	13
Pan Orientation.....	13
Tilt Orientation .....	13
Display Orientation .....	13
Manual Pan Range.....	13
Manual Tilt Range.....	13
Temperature .....	13
Reset .....	13
Load Factory Defaults.....	13
Master/Slave Mode .....	14
<b>5. Technical Information</b> .....	<b>15</b>
Product Maintenance .....	15
<b>6. Technical Specifications</b> .....	<b>16</b>
<b>Returns</b> .....	<b>17</b>
<b>Contact Us</b> .....	<b>18</b>

# 1. BEFORE YOU BEGIN

## What Is Included

- Intimidator Spot 155
- Hanging Bracket with Mounting Hardware
- Power Cord
- Warranty Card
- Quick Reference Guide

## Unpacking Instructions

Carefully unpack the product immediately and check the container to make sure all the parts are in the package and are in good condition.

## Claims




If the box or the contents (the product and included accessories) appear damaged from shipping, or show signs of mishandling, notify the carrier immediately, not Chauvet. Failure to report damage to the carrier immediately may invalidate your claim. In addition, keep the box and contents for inspection.

For other issues, such as missing components or parts, damage not related to shipping, or concealed damage, file a claim with Chauvet within 7 days of delivery.

## Text Conventions

Convention	Meaning
1–512	A range of values
50/60	A set of values of which only one can be chosen
Settings	A menu option not to be modified
Menu > Settings	A sequence of menu options to be followed
<ENTER>	A key to be pressed on the product's control panel
ON	A value to be entered or selected

## Symbols

Symbol	Meaning
	Critical installation, configuration, or operation information. Not following these instructions may make the product not work, cause damage to the product, or cause harm to the operator.
	Important installation or configuration information. The product may not function correctly if this information is not used.
	Useful information.

## Disclaimer

Chauvet believes that the information contained in this manual is accurate in all respects. However, Chauvet assumes no responsibility and specifically disclaims any and all liability to any party for any loss, damage or disruption caused by any errors or omissions in this document, whether such errors or omissions result from negligence, accident or any other cause. Chauvet reserves the right to revise the content of this document without any obligation to notify any person or company of such revision, however, Chauvet has no obligation to make, and does not commit to make, any such revisions. Download the latest version from [www.chauvetlighting.com](http://www.chauvetlighting.com).

The works of authorship contained in this manual, including, but not limited to, all design, text and images are owned by Chauvet.

© Copyright 2016 Chauvet & Sons, LLC. All rights reserved.

Electronically published by Chauvet in the United States of America.

CHAUVET, the Chauvet logo, Intimidator Spot 155, and Intimidator Spot LED 150 are registered trademarks or trademarks of Chauvet & Sons LLC (d/b/a Chauvet and Chauvet Lighting) in the United States and other countries. Other company and product names and logos referred to herein may be trademarks of their respective companies.

## Product at a Glance

Use on Dimmer	X	Auto Programs	P
Outdoor Use	X	Auto-ranging Power Supply	P
Sound-Activated	P	Replaceable Fuse	P
DMX	P	User-Serviceable	X
Master/Slave	P		

## Safety Notes

These notes include important information about the mounting, usage, and maintenance of this product; read before using the product.



- This product is not intended for permanent installation.
- Always connect the product to a grounded circuit to avoid the risk of electrocution.
- Always disconnect the product from power before cleaning or replacing the fuse.
- Avoid direct eye exposure to the light source while the product is on.
- Make sure the power cord is not crimped or damaged.
- Never disconnect the product from power by pulling or tugging on the cord.
- If mounting the product overhead, always secure to a fastening device using a safety cable.
- Make sure there are no flammable materials close to the product when operating.
- Do not touch the product's housing when operating because it may be very hot.



- Always make sure that the voltage of the outlet to which you are connecting the product is within the range stated on the decal or rear panel of the product.
- The product is for indoor use only! (IP20) To prevent risk of fire or shock, do not expose the product to rain or moisture.
- Always install the product in a location with adequate ventilation, at least 20 in (50 cm) from adjacent surfaces.
- Be sure that no ventilation slots on the product's housing are blocked.
- Never connect the product to a dimmer or rheostat.
- Make sure to replace the fuse with another of the same type and rating.
- Never carry the product from the power cord or any moving part. Always use the hanging/mounting bracket.
- The maximum ambient temperature (Ta) is 104 °F (40 °C). Do not operate the product at higher temperatures.
- In the event of a serious operating problem, stop using the product immediately.
- Never try to repair the product. Repairs carried out by unskilled people can lead to damage or malfunction. Please contact the nearest authorized technical assistance center.
- To eliminate unnecessary wear and improve its lifespan, during periods of non-use completely disconnect the product from power via breaker or by unplugging it.

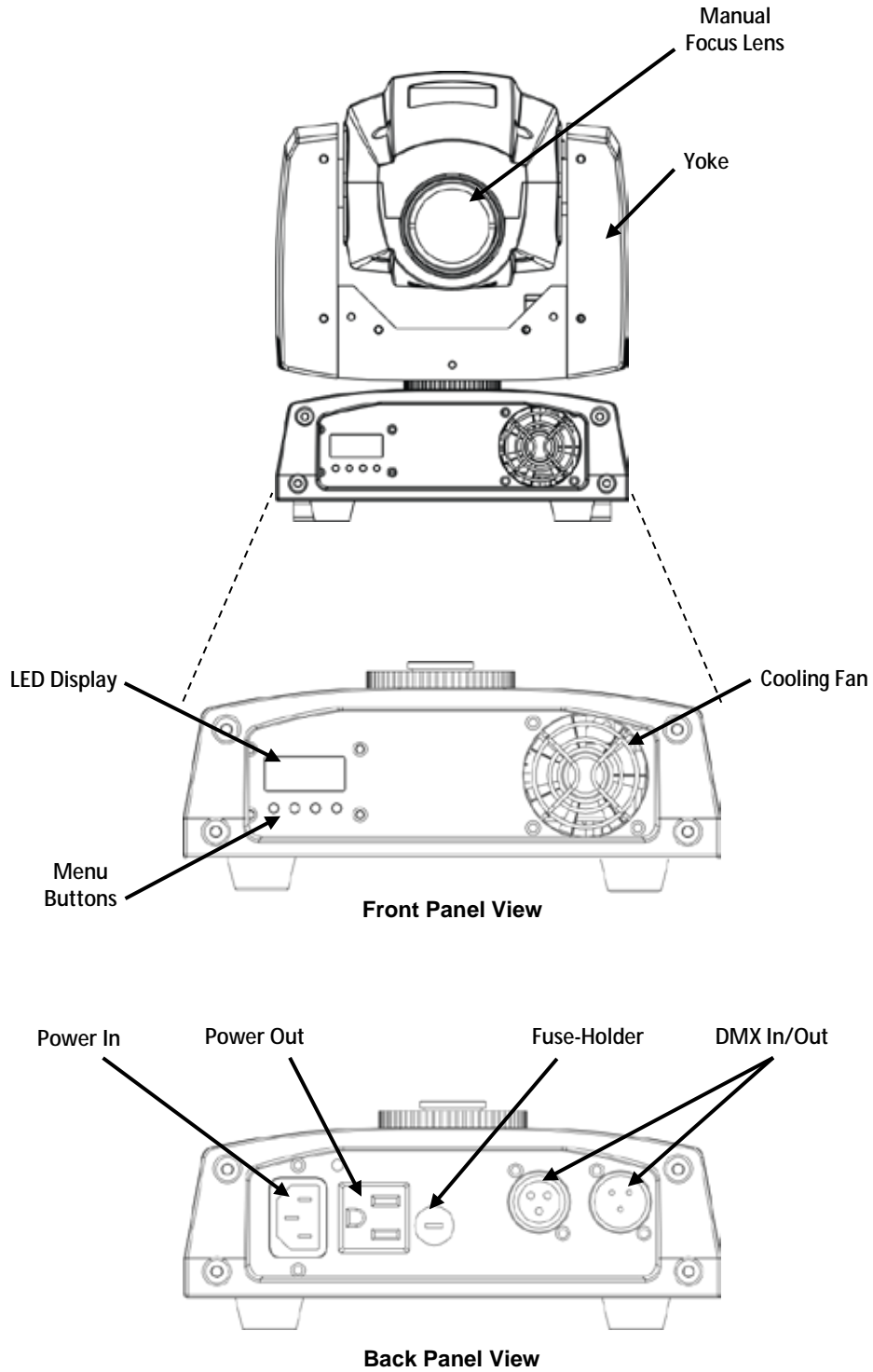


Keep this User Manual for future use. If you sell the product to another user, be sure to give this document to the next owner.

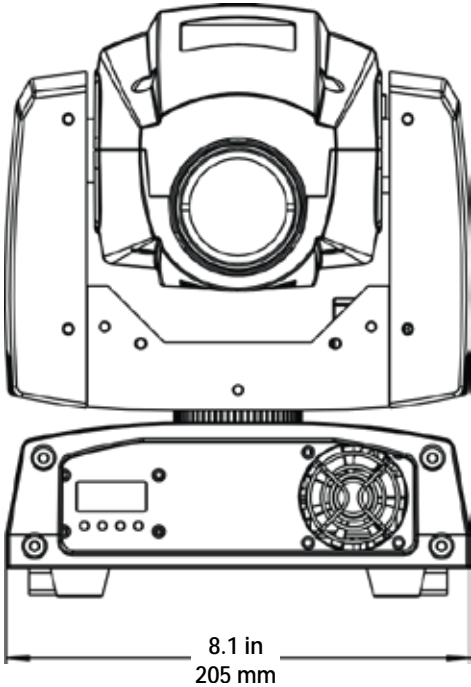
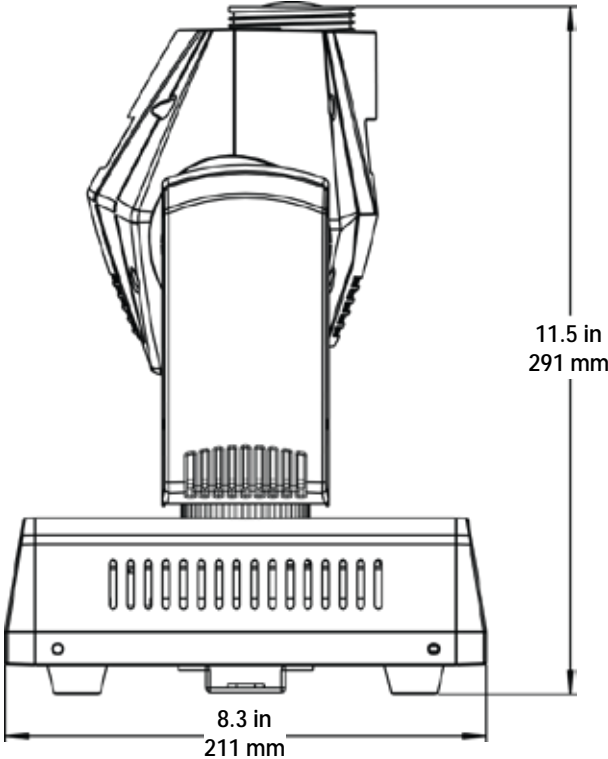
---

## 2. INTRODUCTION

### Product Overview



# Product Dimensions



### 3. SETUP

#### AC Power

The Intimidator Spot 155 has an auto-ranging power supply and it can work with an input voltage range of 100 to 240 VAC, 50/60 Hz.

To determine the product's power requirements (circuit breaker, power outlet, and wiring), use the current value listed on the label affixed to the product's back panel, or refer to the product's specifications chart. The listed current rating indicates the product's average current draw under normal conditions.



· **Always connect the product to a protected circuit (circuit breaker or fuse). Make sure the product has an appropriate electrical ground to avoid the risk of electrocution or fire.**

· **To eliminate unnecessary wear and improve its lifespan, during periods of non-use completely disconnect the product from power via breaker or by unplugging it.**



· **Never connect the product to a rheostat (variable resistor) or dimmer circuit, even if the rheostat or dimmer channel serves only as a 0 to 100% switch.**

#### Fuse Replacement

1. Disconnect the product from power.
2. Using a flat-head screwdriver, unscrew the fuse holder cap from the housing.
3. Remove the blown fuse.
4. Replace with a fuse of the same type and rating.
5. Screw the fuse holder cap back in place and reconnect power.

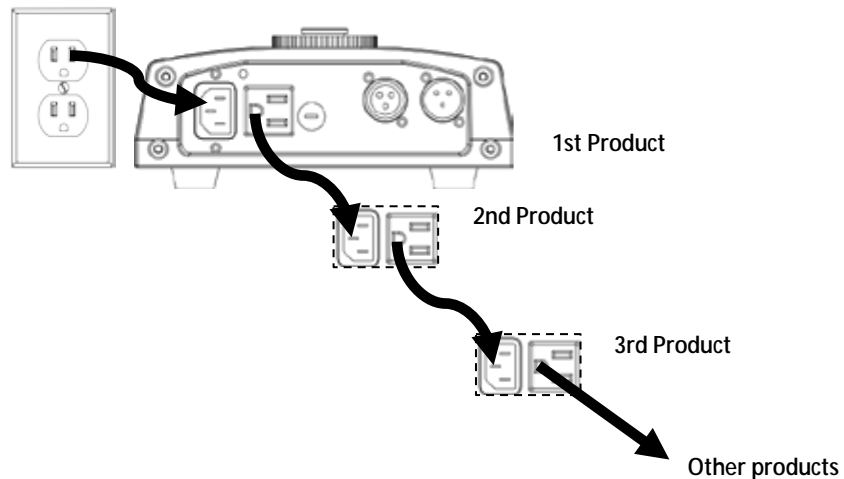


· **Disconnect the product from power before replacing the fuse.**  
· **Always replace a blown fuse with another of the same type and rating.**

#### Power Linking

The product provides power linking via the IEC outlet located in the back of the unit.

Power Linking Diagram



· **You can power link up to 8 Intimidator Spot 155 units on 120 VAC or up to 16 Intimidator Spot 155 units on 230 VAC.**

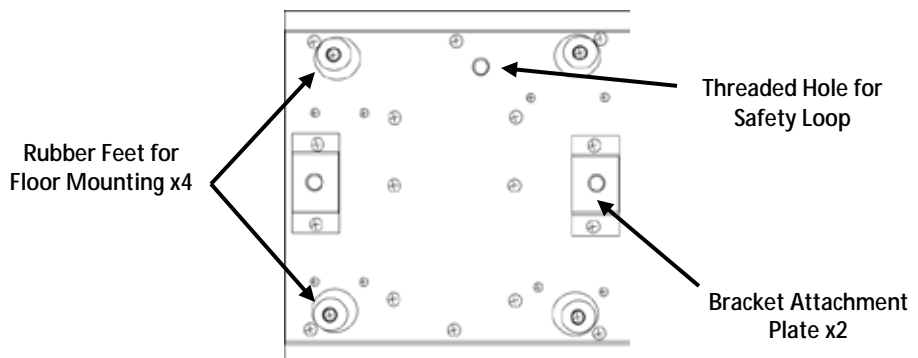
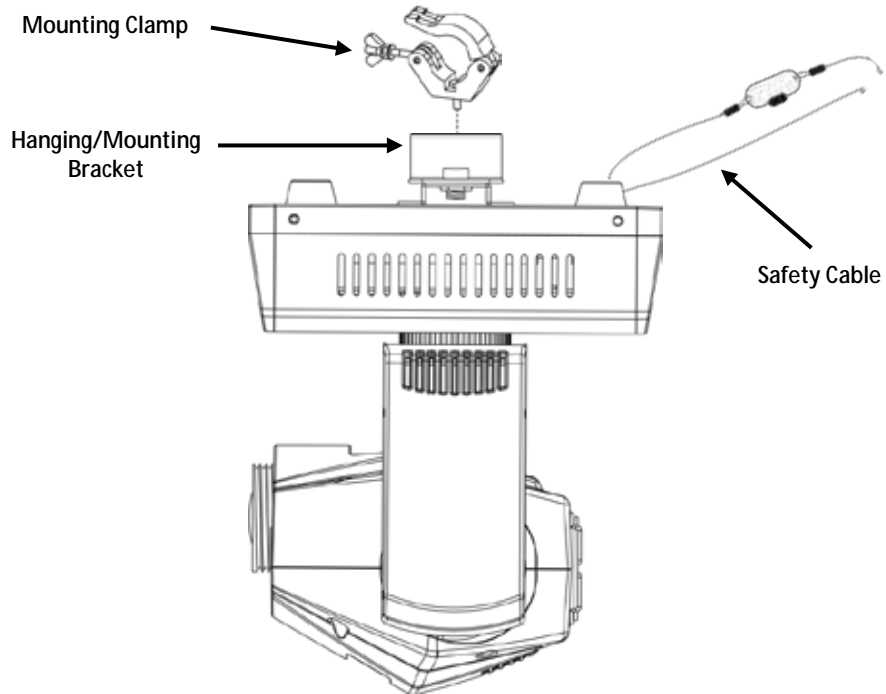


· **The power linking diagram shown above corresponds to the North American version of the product ONLY! If using the product in other markets, you must consult with the local Chauvet distributor as power linking connectors and requirements may differ in your country or region.**

**Mounting** Before mounting the product, read and follow the safety recommendations indicated in the Safety Notes.

**Orientation** The Intimidator Spot 155 may be mounted in any position; however, make sure adequate ventilation is provided around the product.

- Rigging**
- Before deciding on a location for the product, always make sure there is easy access to the product for maintenance and programming purposes.
  - Make sure that the structure or surface onto which you are mounting the product can support the product's weight. See the [Technical Specifications](#) for weight information. The CLP-15 clamp from Chauvet is appropriate for this product.
  - When mounting the product overhead, always use a safety cable. Mount the product securely to a rigging point, whether an elevated platform or a truss.
  - When rigging the product onto a truss, you should use a mounting clamp of appropriate weight capacity.
  - When power linking multiple products, you must always consider the length of the power linking cable and mount the products close enough for the cable to reach.
  - The rubber feet also serve as floor supports. When mounting the product on the floor, make sure that the product and cables are away from people and vehicles.



**When using only one mounting clamp with this fixture, you must use a clamp with a captive bolt to prevent accidental loosening.**



## 4. OPERATION

**Control Panel Operation** To access the control panel functions, use the four buttons located underneath the display.

Button	Function
<MENU>	Press to find an operation mode or to back out of the current menu option
<UP>	Press to scroll up the list of options or to find a higher value
<DOWN>	Press to scroll down the list of options or to find a lower value
<ENTER>	Press to activate a menu option or a selected value

### Menu Map

Mode	Programming Levels		Description	
DMX Mode	d_ _ _	d001–d512	Sets the DMX starting address	
Operating Mode	(currently selected mode)	SLAV	Son	Slave operating mode
		NASL	SLoU	Automatic mode, slow program
		NAFA	FASt	Automatic mode, fast program
		NStS	Srun	Sound-Active mode
Pan	_Pan	PAn	Normal pan operation	
		rPAn	Inverse pan operation	
Tilt	_tiL	tiL	Normal tilt operation	
		rTiL	Inverse tilt operation	
Display	_diS	diS	Normal display	
		rDiS	Inverse display	
Channel Mode	__CH	6CH	Selects the 6-channel DMX personality	
		11CH	Selects the 11-channel DMX personality	
Manual Pan Range	PA_ _	PA54	Selects the 540° pan angle range	
		PA36	Selects the 360° pan angle range	
		PA18	Selects the 180° pan angle range	
Manual Tilt Range	Ti_ _	ti27	Selects the 270° tilt angle range	
		ti18	Selects the 180° tilt angle range	
		ti 9	Selects the 90° tilt angle range	
Temperature	t_ _		Shows the current product temperature in °C	
Reset	rEst		Resets the product	
Load	LoAd		Load the factory defaults	

**Configuration (DMX)** Set the product in DMX mode to control with a DMX controller.

1. Connect the product to a suitable power outlet.
2. Connect a DMX cable from the DMX output of the DMX controller to the DMX input socket on the product.

**Starting Address** When selecting a starting DMX address, always consider the number of DMX channels the selected DMX mode uses. If you choose a starting address that is too high, you could restrict the access to some of the product’s channels. The Intimidator Spot 155 uses up to 11 DMX channels in its 11-channel DMX mode, which defines the highest configurable address to **502**.

If you are not familiar with the DMX protocol, download the DMX Primer from [www.chauvetlighting.com](http://www.chauvetlighting.com).

To select the starting address, do the following:

1. Press **<MENU>** repeatedly until **d\_\_** shows on the display.
2. Use **<UP>** or **<DOWN>** to select the starting address.
3. Press **<ENTER>**.

**DMX Personalities** The Intimidator Spot 155 has two DMX personalities, an 11-channel personality and a 6-channel personality.

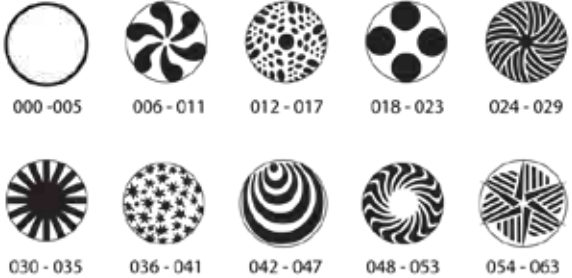
To choose which DMX personality to use, follow the steps below:

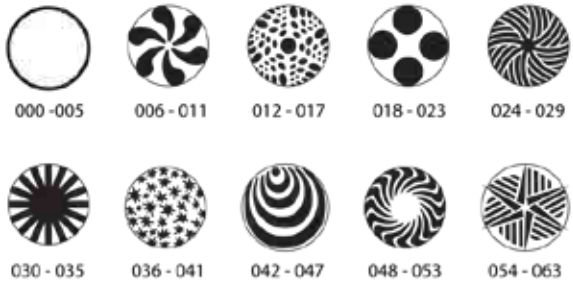
1. Press **<MENU>** repeatedly until **6CH** or **11CH** shows on the display.
2. Use **<UP>** or **<DOWN>** to toggle between the personalities.
3. Press **<ENTER>**.

**DMX Assignments**

11CH	Channel	Function	Value	Percent/Setting
	1	Pan	000◊255	0–540°
	2	Tilt	000◊255	0–270°
	3	Fine Pan	000◊255	Fine control of pan
	4	Fine Tilt	000◊255	Fine control of tilt
	5	Pan/Tilt Speed	000◊255	Pan/Tilt speed (fast to slow)
			000◊005	White
			006◊011	Yellow
			012◊017	Magenta
			018◊023	Green
			024◊029	Red
			030◊035	Cyan
			036◊041	Orange
			042◊047	Blue
			048◊053	Light Green
			054◊063	Amber
			064◊069	White + Yellow
	6	Color Wheel	070◊075	Yellow + Magenta
			076◊081	Magenta + Green
			083◊087	Green + Red
			088◊093	Red + Cyan
			094◊099	Cyan + Orange
			100◊105	Orange + Blue
			106◊111	Blue + Light Green
			112◊117	Light Green + Amber
			118◊127	Amber + White
			128◊191	Color cycling rainbow with increasing speed
			192◊255	Reverse color cycling rainbow with increasing speed

**11CH**  
(cont.)

Channel	Function	Value	Percent/Setting		
7	Shutter	000 ó 003	Blackout		
		004 ó 007	Open		
		008 ó 215	Strobe effect with increasing speed		
		216 ó 255	Open		
8	Dimmer	000 ó 255	0–100%		
9	Gobo Wheel				
		064 ó 073	Gobo 9 shake, slow to fast		
		074 ó 079	Gobo 8 shake, slow to fast		
		080 ó 085	Gobo 7 shake, slow to fast		
		086 ó 091	Gobo 6 shake, slow to fast		
		092 ó 097	Gobo 5 shake, slow to fast		
		098 ó 103	Gobo 4 shake, slow to fast		
		104 ó 109	Gobo 3 shake, slow to fast		
		110 ó 115	Gobo 2 shake, slow to fast		
		116 ó 121	Gobo 1 shake, slow to fast		
		122 ó 127	Open		
		128 ó 191	Cycle effect with increasing speed		
		192 ó 255	Reverse cycle effect with increasing speed		
		10	Special Function	000 ó 007	No function
				008 ó 027	Blackout while pan/tilt moving
028 ó 047	Blackout while moving gobo wheel				
048 ó 067	Blackout while pan/tilt/moving gobo wheel				
068 ó 087	Blackout while moving color wheel				
088 ó 107	Blackout while pan/tilt/moving color wheel				
108 ó 127	Blackout while moving gobo/color wheel				
128 ó 147	Blackout while pan/tilt/moving gobo/moving color wheel				
148 ó 167	Reset pan				
168 ó 187	Reset tilt				
188 ó 207	Reset color wheel				
208 ó 227	Reset gobo wheel				
228 ó 247	Reset all channels				
248 ó 255	No function				
11	Movement Macros	000 ó 007	No function		
		008 ó 135	Automatic movements 1–8		
		136 ó 255	Sound-active movements 1–8		

6CH	Channel	Function	Value	Percent/Setting
	1	Pan	000 ó 255	0–540°
	2	Tilt	000 ó 255	0–270°
	3	Color Wheel	000 ó 005	White
			006 ó 011	Yellow
			012 ó 017	Magenta
			018 ó 023	Green
			024 ó 029	Red
			030 ó 035	Cyan
			036 ó 041	Orange
			042 ó 047	Blue
			048 ó 053	Light Green
			054 ó 063	Amber
			064 ó 069	White + Yellow
			070 ó 075	Yellow + Magenta
			076 ó 081	Magenta + Green
			083 ó 087	Green + Red
			088 ó 093	Red + Cyan
			094 ó 099	Cyan + Orange
			100 ó 105	Orange + Blue
			106 ó 111	Blue + Light Green
			112 ó 117	Light Green + Amber
	118 ó 127	Amber + White		
	128 ó 191	Color cycling rainbow with increasing speed		
	192 ó 255	Reverse color cycling rainbow with increasing speed		
	4	Shutter	000 ó 003	Blackout
			004 ó 007	Open
			008 ó 215	Strobe effect with increasing speed
			216 ó 255	Open
	5	Dimmer	000 ó 255	0–100%
	6	Gobo Wheel		
			064 ó 073	Gobo 9 shake, slow to fast
			074 ó 079	Gobo 8 shake, slow to fast
			080 ó 085	Gobo 7 shake, slow to fast
			086 ó 091	Gobo 6 shake, slow to fast
			092 ó 097	Gobo 5 shake, slow to fast
			098 ó 103	Gobo 4 shake, slow to fast
			104 ó 109	Gobo 3 shake, slow to fast
			110 ó 115	Gobo 2 shake, slow to fast
			116 ó 121	Gobo 1 shake, slow to fast
			122 ó 127	Open
			128 ó 191	Cycle effect with increasing speed
			192 ó 255	Reverse cycle effect with increasing speed

## Configuration (Standalone)

Set the product in one of the standalone modes to control without a DMX controller.

- Connect the product to power.



**Never connect a product that is operating in any standalone mode (either Automatic or Sound-Active) to a DMX string connected to a DMX controller. Products in standalone mode may transmit DMX signals that could interfere with the DMX signals from the controller.**

### Automatic Mode

To enable the Automatic mode, do the following:

1. Press **<MENU>** repeatedly until **SLAV**, **NASL**, **NAFA**, or **NStS** shows on the display.
2. Use **<UP>** or **<DOWN>** to choose either:
  - **NASL** (for a slow program)
  - or
  - **NAFA** (for a fast program)
3. Press **<ENTER>**.

### Sound-Active Mode

To enable the Sound-Active mode, follow the instructions below:

1. Press **<MENU>** repeatedly until **SLAV**, **NASL**, **NAFA**, or **NStS** shows on the display.
2. Use **<UP>** or **<DOWN>** to choose **NStS**.
3. Press **<ENTER>**.



**The product will only respond to low frequencies of music (bass and drums).**

### Pan Orientation

To select the pan orientation on the Intimidator Spot 155, do the following.

1. Press **<MENU>** repeatedly until **PAn** or **rPAn** shows on the display.
2. Use **<UP>** or **<DOWN>** to select between normal pan operation (**PAn**) and inverse pan operation (**rPAn**).
3. Press **<ENTER>**.

### Tilt Orientation

To select the tilt orientation on the Intimidator Spot 155, follow the instructions below.

1. Press **<MENU>** repeatedly until **tiL** or **rTiL** shows on the display.
2. Use **<UP>** or **<DOWN>** to select between normal tilt operation (**tiL**) and inverse tilt operation (**rTiL**).
3. Press **<ENTER>**.

### Display Orientation

To select the display orientation on the Intimidator Spot 155, do the following:

1. Press **<MENU>** repeatedly until **diS** or **rdiS** shows on the display.
2. Use **<UP>** or **<DOWN>** to select between normal display orientation (**diS**) and inverse display orientation (**rdiS**).
3. Press **<ENTER>**.

### Manual Pan Range

To set the pan range, follow the instructions below.

1. Press **<MENU>** repeatedly until **PA54**, **PA36** or **PA18** shows on the display.
2. Use **<UP>** or **<DOWN>** to select between 540° (**PA54**), 360° (**PA36**), or 180° (**PA18**).
3. Press **<ENTER>**.

### Manual Tilt Range

To set the tilt range, do the following.

1. Press **<MENU>** repeatedly until **ti27**, **ti18** or **ti 9** shows on the display.
2. Use **<UP>** or **<DOWN>** to select between 270° (**ti27**), 180° (**ti18**), or 90° (**ti 9**).
3. Press **<ENTER>**.

### Temperature

To view the current temperature of the Intimidator Spot 155, follow the instructions below:

1. Press **<MENU>** repeatedly until **t \_\_** shows on the display.

### Reset

To reset the fixture, do the following.

1. Press **<MENU>** repeatedly until **rEst** shows on the display.
2. Press **<ENTER>**.

### Load Factory Defaults

To load the factory defaults, do the following.

1. Press **<MENU>** repeatedly until **LOAD** shows on the display.
2. Press **<ENTER>**.

---

## Master/Slave Mode

The Master/Slave mode allows a single Intimidator Spot 155 (the master) to control the actions of one or more Intimidator Spot 155 products (the slaves) without the need of a DMX controller. The master will be set to operate in either Automatic or Sound-Active mode, while the slaves will be set to operate in Slave mode. Once set and connected, the slaves will operate in unison with the master. Configure the products as indicated below.

### Slaves:

1. Press **<MENU>** repeatedly until **SLAV**, **NASL**, **NAFA**, or **NStS** shows on the display.
2. Use **<UP>** or **<DOWN>** to select **SLAV**.
3. Press **<ENTER>**.
4. Connect the DMX input of the first slave product to the DMX output of the master.
5. Connect the DMX input of the subsequent slaves to the DMX output of the previous slave.
6. Finish setting and connecting all the slaves.

### Master:

1. Set the master to operate in either Automatic or Sound-Active mode.
2. Make the master the first product in the DMX daisy chain.



- **Configure all the slaves before connecting the master to the DMX daisy chain.**
- **Never connect a DMX controller to a DMX string configured for Master/Slave operation because the controller may interfere with the signals from the master.**
- **Do not connect more than 31 slave units to the master.**

---

## 5. TECHNICAL INFORMATION

### **Product Maintenance**

Dust build up reduces light output performance and can cause overheating. This can lead to reduction of the light source's life. To maintain optimum performance and minimize wear, you should clean your lighting products at least twice a month. However, be aware that usage and environmental conditions could be contributing factors to increase the cleaning frequency.

To clean the product, follow the instructions below:

1. Unplug the product from power.
2. Wait until the product is at room temperature.
3. Use a vacuum (or dry compressed air) and a soft brush to remove dust collected on the external surface/vents.
4. Clean all glass/transparent surfaces with a mild soap solution, ammonia-free glass cleaner, or isopropyl alcohol.
5. Apply the solution directly to a soft, lint free cotton cloth or a lens cleaning tissue.
6. Softly drag any dirt or grime to the outside of the glass/transparent surface.
7. Gently polish the glass/transparent surfaces until they are free of haze and lint.



**Always dry the glass/transparent surfaces carefully after cleaning them.**



**Do not spin the cooling fans using compressed air because you could damage them.**

## 6. TECHNICAL SPECIFICATIONS

<b>Dimensions and Weight</b>	<b>Length</b>	<b>Width</b>	<b>Height (pointing upward)</b>	<b>Weight</b>
	8.1 in (205 mm)	8.3 in (211 mm)	11.5 in (291 mm)	9.8 lb (4.4 kg)
<b>Note:</b> Dimensions in inches rounded to the nearest decimal digit.				
<b>Power</b>	<b>Power Supply Type</b>	<b>Range</b>	<b>Voltage Selection</b>	
	Switching (internal)	100 to 240 VAC, 50/60 Hz	Auto-ranging	
	<b>Parameter</b>	<b>120 V, 60 Hz</b>	<b>230 V, 50 Hz</b>	
	Consumption	62 W	62 W	
	Operating	0.9 A	0.5 A	
<b>Power I/O</b>	<b>Power I/O</b>	<b>US/Worldwide</b>	<b>UK/Europe</b>	
	Power input connector	IEC	IEC	
	Power output connector	Edison	IEC	
<b>Light Source</b>	<b>Type</b>	<b>Power</b>	<b>Lifespan</b>	
	LED	32 W	50,000 hours	
	<b>Color</b>	<b>Quantity</b>	<b>Current</b>	
<b>Photometrics</b>	Cool White	1	2.3 A	
	<b>Parameter</b>			
	Illuminance @ 2 m	4,860 lux		
	Beam angle	17°		
	Strobe Rate	0 to 23 Hz		
<b>Thermal</b>	<b>Maximum External Temp.</b>	<b>Cooling System</b>		
	104 °F (40 °C)	Fan-Assisted Convection		
<b>DMX</b>	<b>I/O Connectors</b>	<b>Connector Type</b>	<b>Channel Range</b>	
	3-pin XLR	Sockets	6 or 11	
<b>Ordering</b>	<b>Product Name</b>	<b>Item Code</b>	<b>UPC Number</b>	
	Intimidator Spot 155	08011103	781462214517	



UL 1573  
CSA C22.2 No. 166  
E113093





---

# RETURNS

In case you need to get support or return a product:

1. If you are located in the U.S., contact Chauvet World Headquarters.
2. If you are located in the UK or Ireland, contact Chauvet Europe Ltd.
3. If you are located in Mexico, contact Chauvet Mexico.
4. If you are located in Benelux, contact Chauvet Europe BVBA.
5. If you are located in any other country, DO NOT contact Chauvet. Instead, contact your local distributor. See [www.chauvetlighting.com](http://www.chauvetlighting.com) for distributors outside the U.S., UK, Ireland, Mexico, or Benelux.



**If you are located outside the U.S., UK, Ireland, Mexico, or Benelux, contact your distributor of record and follow their instructions on how to return Chauvet products to them. Visit our website [www.chauvetlighting.com](http://www.chauvetlighting.com) for contact details.**

Call the corresponding Chauvet Technical Support office and request a Return Merchandise Authorization (RMA) number before shipping the product. Be prepared to provide the model number, serial number, and a brief description of the cause for the return.

Send the merchandise prepaid, in its original box, and with its original packing and accessories. Chauvet will not issue call tags.

Clearly label the package with the RMA number. Chauvet will refuse any product returned without an RMA number.



**Write the RMA number on a properly affixed label. DO NOT write the RMA number directly on the box.**

Before sending the product, clearly write the following information on a piece of paper and place it inside the box:

- Your name
- Your address
- Your phone number
- RMA number
- A brief description of the problem

Be sure to pack the product properly. Any shipping damage resulting from inadequate packaging will be your responsibility. FedEx packing or double-boxing are recommended.



**Chauvet reserves the right to use its own discretion to repair or replace returned product(s).**

---

# CONTACT Us

## USA WORLD HEADQUARTERS

### General Information – Chauvet

Address: 5200 NW 108th Avenue  
Sunrise, FL 33351  
Voice: (954) 577-4455  
Fax: (954) 929-5560  
Toll free: (800) 762-1084

### Technical Support

Voice: (954) 577-4455 (Press 4)  
Fax: (954) 756-8015  
Email: [tech@chauvetlighting.com](mailto:tech@chauvetlighting.com)

### World Wide Web

[www.chauvetlighting.com](http://www.chauvetlighting.com)

## EUROPE

### General Information - Chauvet Europe BVBA

Address: Stokstraat 18  
9770 Kruishoutem  
Belgium  
Voice: +32 9 388 93 97

### Technical Support

Email: [Eutech@chauvetlighting.eu](mailto:Eutech@chauvetlighting.eu)

### World Wide Web

[www.chauvetlighting.eu](http://www.chauvetlighting.eu)

### General Information - Chauvet Europe Ltd.

Address: Unit 1C  
Brookhill Road Industrial Estate  
Pinxton, Nottingham, UK  
NG16 6NT

Voice: +44 (0)1773 511115  
Fax: +44 (0)1773 511110

### Technical Support

Email: [uktech@chauvetlighting.com](mailto:uktech@chauvetlighting.com)

### World Wide Web

[www.chauvetlighting.co.uk](http://www.chauvetlighting.co.uk)

## MEXICO

### General Information - Chauvet Mexico

Address: Av. Santa Ana 30  
Parque Industrial Lerma  
Lerma, Mexico C.P. 52000

Voice: +52 (728) 285-5000

### Technical Support

Email: [servicio@chauvet.com.mx](mailto:servicio@chauvet.com.mx)

### World Wide Web

[www.chauvet.com.mx](http://www.chauvet.com.mx)

Outside the U.S., United Kingdom, Ireland, Mexico, or Benelux contact the dealer of record. Follow their instructions to request support or to return a product. Visit our website for contact details.