



PACK[™]

SILVER

User Manual

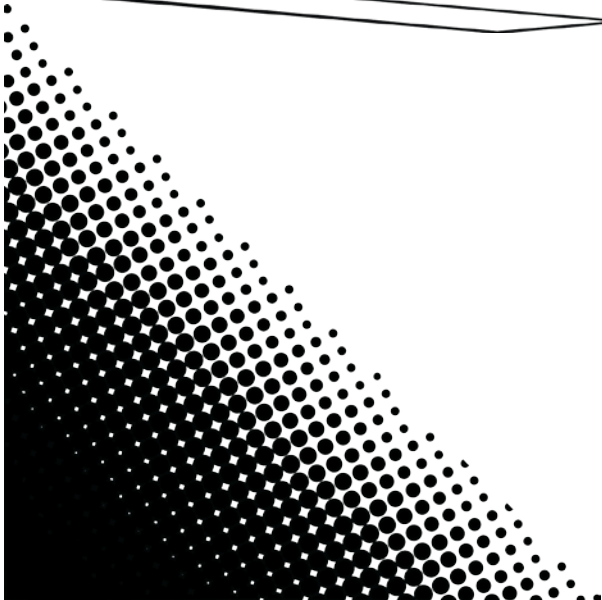
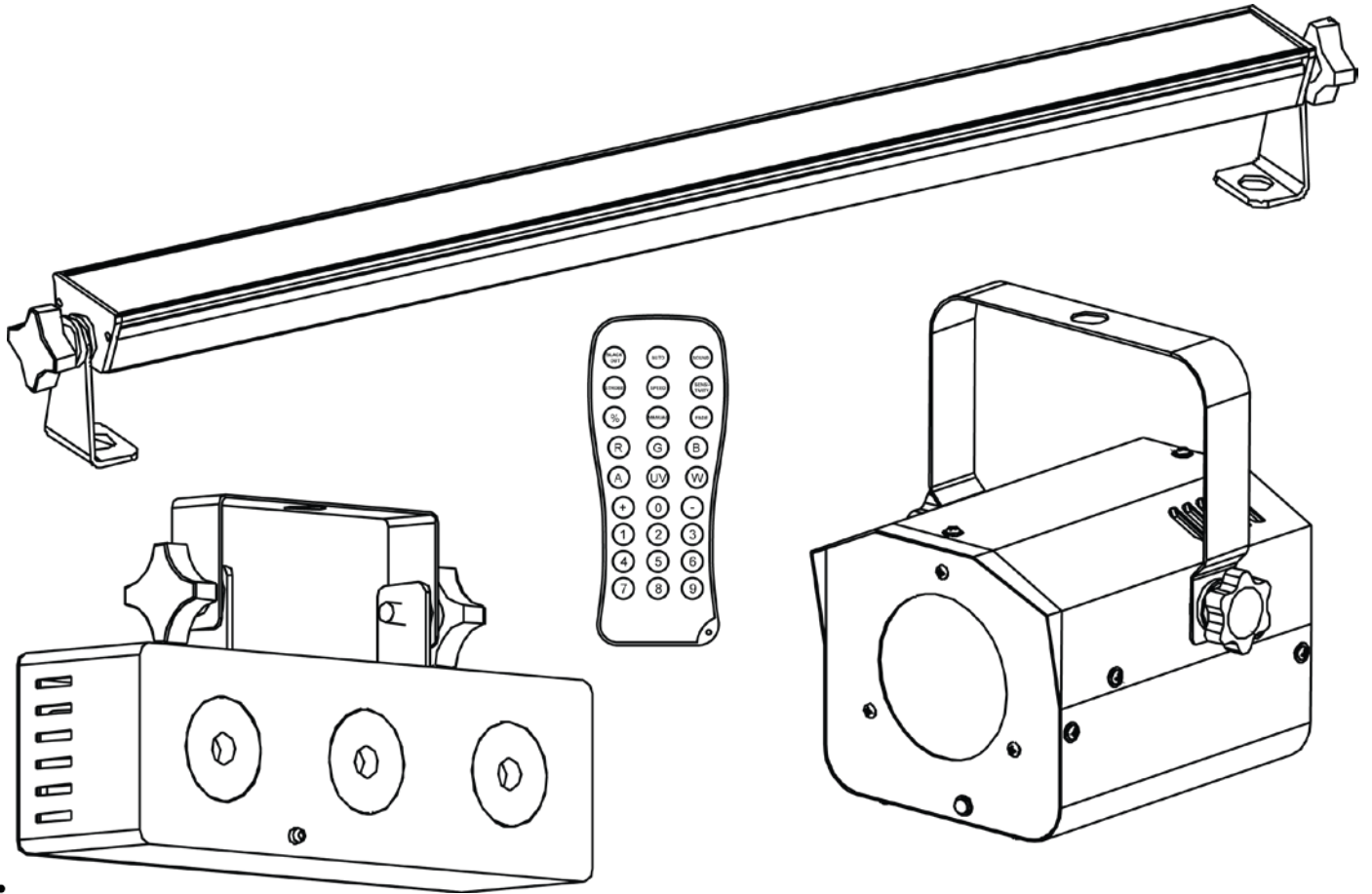


TABLE OF CONTENTS

1. Before You Begin	3
What Is Included	3
Unpacking Instructions	3
Claims.....	3
Text Conventions	3
Symbols	3
Disclaimer	3
Product at a Glance	4
Safety Notes.....	4
2. Introduction	5
Product Overviews	5
Moonflower	5
Three-Color Wash Effect light.....	5
UV Strobe Combo.....	5
Product Dimensions	6
Moonflower	6
Three-Color Wash Effect light.....	6
UV Strobe Combo.....	6
3. Setup	7
AC Power	7
Mounting	8
Orientation	8
Rigging	8
4. Operation	9
UV Strobe Control Panel Operation	9
UV Strobe Combo Strobe Modes	9
Strobe Mode	9
UV On/Off	9
Infrared Remote Control.....	10
IRC-6 Operation.....	10
5. Maintenance	11
Product Maintenance	11
6. Technical Specifications	12
Returns.....	13
Contact Us	14

1. BEFORE YOU BEGIN

What Is Included

- Moonflower
- Three-Color Wash Effect light
- UV Strobe Combo
- IRC-6 Remote Control
- 3 External Power Supply Units
- Warranty Card
- Quick Reference Guide

Unpacking Instructions

Carefully unpack the product immediately and check the container to make sure all the parts are in the package and are in good condition.

Claims




If the box or the contents (the product and included accessories) appear damaged from shipping, or show signs of mishandling, notify the carrier immediately, not Chauvet. Failure to report damage to the carrier immediately may invalidate your claim. In addition, keep the box and contents for inspection.

For other issues, such as missing components or parts, damage not related to shipping, or concealed damage, file a claim with Chauvet within 7 days of delivery.

Text Conventions

Convention	Meaning
1—512	A range of values
50/60	A set of values of which only one can be chosen
Settings	A menu option not to be modified
Menu > Settings	A sequence of menu options to be followed
<ENTER>	A key to be pressed on the product's control panel
ON	A value to be entered or selected

Symbols

Symbol	Meaning
	Critical installation, configuration, or operation information. Not following these instructions may make the product not work, cause damage to the product, or cause harm to the operator.
	Important installation or configuration information. The product may not function correctly if this information is not used.
	Useful information.

Disclaimer

The information and specifications contained in this document are subject to change without notice. Chauvet assumes no responsibility or liability for any errors or omissions that may appear in this manual. Chauvet reserves the right to update the existing document or to create a new document to correct any errors or omissions.

You can download the latest version of this document from www.chauvetlighting.com.

© Copyright 2015 Chauvet. All rights reserved.

Electronically published by Chauvet in the United States of America.

Author	Date	Editor	Updated
R. Isenstadt	02/16/15	A. Leon	02/17/15

Product at a Glance

Use on Dimmer	X	Auto Programs	P
Outdoor Use	X	Auto-ranging Power Supply	P
Sound-Active	P	Replaceable Fuse	X
DMX	X	User-Serviceable	X
Master/Slave	X		

Safety Notes

Please read the following Safety Notes carefully before working with the product. The Notes include important safety information about installation, usage, and maintenance.



- Always connect the product to a grounded circuit to avoid the risk of electrocution.
- Always disconnect the product from the power source before cleaning.
- Avoid direct eye exposure to the light source while the product is on.
- Make sure the power cord is not crimped or damaged.
- Never disconnect the product from power cord by pulling or tugging on the cord.
- If mounting the product overhead, always secure to a fastening device using a safety cable.
- Make sure there are no flammable materials close to the product when operating.
- Do not touch the product's housing when operating because it may be very hot.



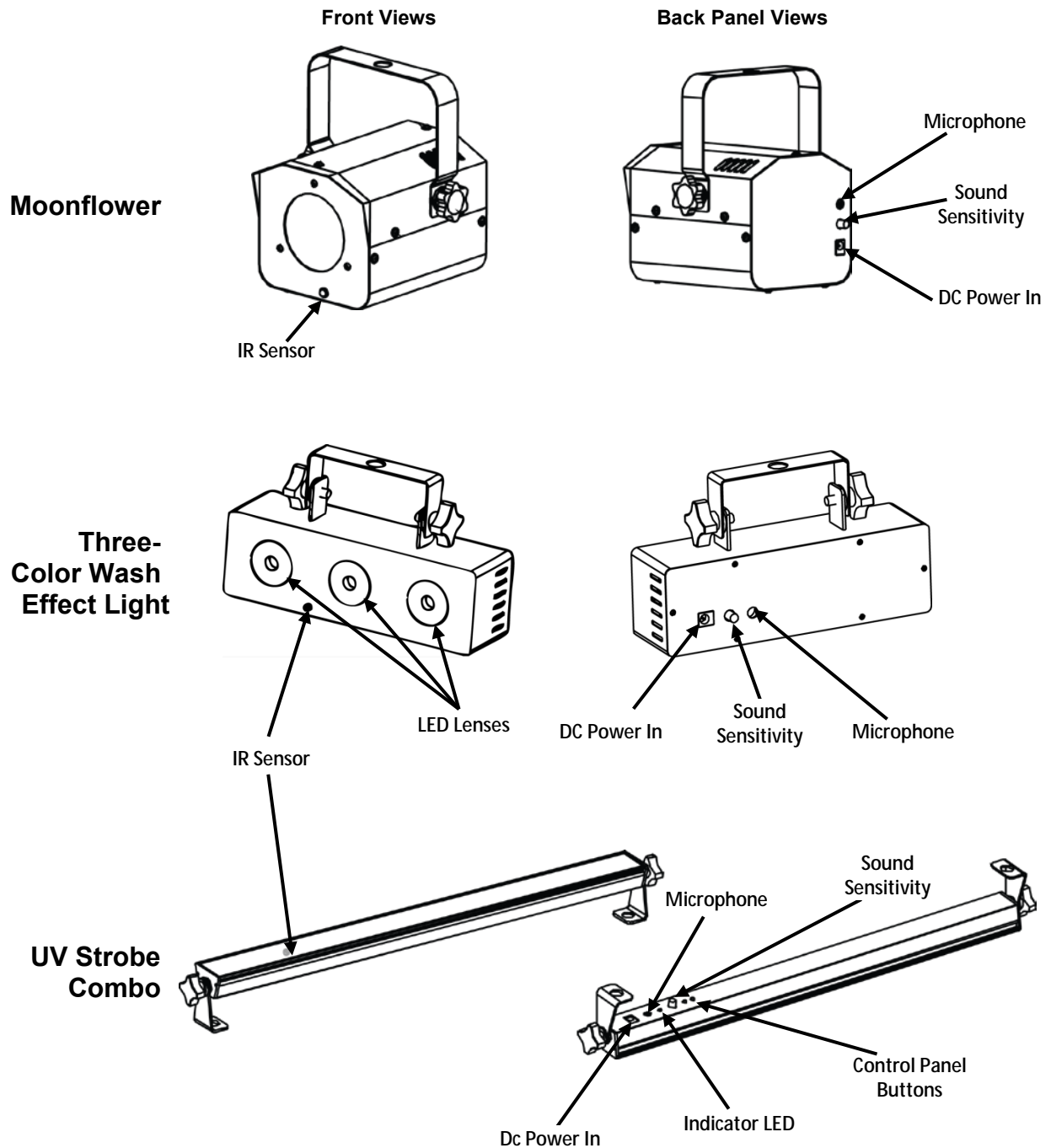
- The product is not intended for permanent installation.
- Always make sure that the voltage of the outlet to which you are connecting the product is within the range stated on the decal or rear panel of the product.
- The product is for indoor use only! (IP20) To prevent risk of fire or shock, do not expose the product to rain or moisture.
- Always install the product in a location with adequate ventilation, at least 20 in (50 cm) from adjacent surfaces.
- Be sure that no ventilation slots on the product's housing are blocked.
- Never connect the product to a dimmer or rheostat.
- Make sure to replace the fuse with another of the same type and rating.
- Never carry the product from the power cord or any moving part. Always use the hanging/mounting bracket.
- The maximum ambient temperature (Ta) is 104 °F (40 °C). Do not operate the product at higher temperatures.
- In the event of a serious operating problem, stop using the product immediately.
- Never try to repair the product. Repairs carried out by unskilled people can lead to damage or malfunction. Please contact the nearest authorized technical assistance center.
- To eliminate unnecessary wear and improve its lifespan, during periods of non-use completely disconnect the product from power via breaker or by unplugging it.



- Keep this User Manual for future use. If you sell the product to someone else, be sure that they also receive this document.

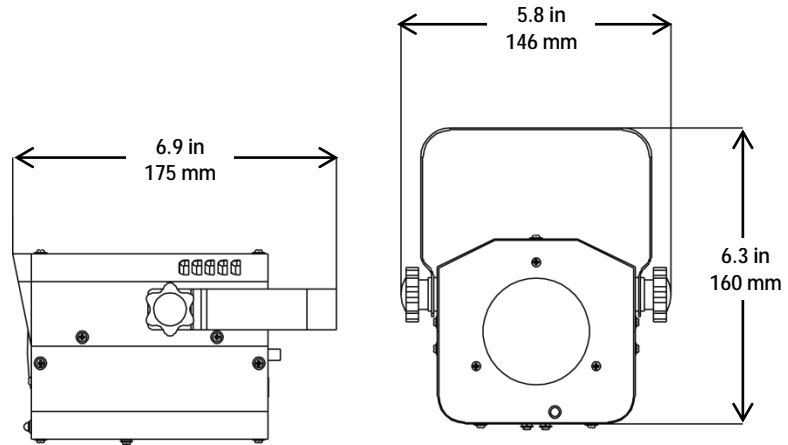
2. INTRODUCTION

Product Overviews

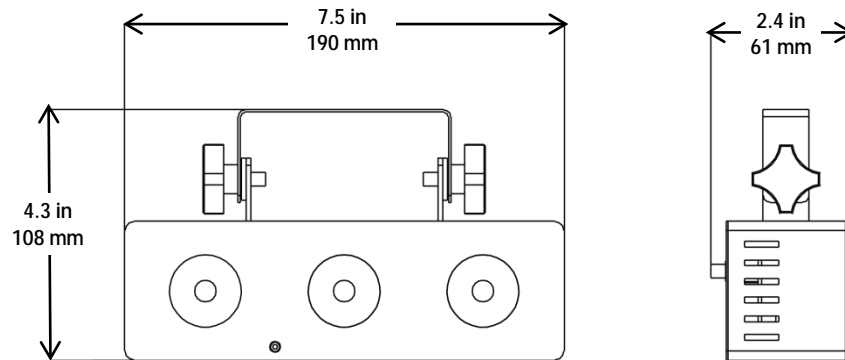


Product Dimensions

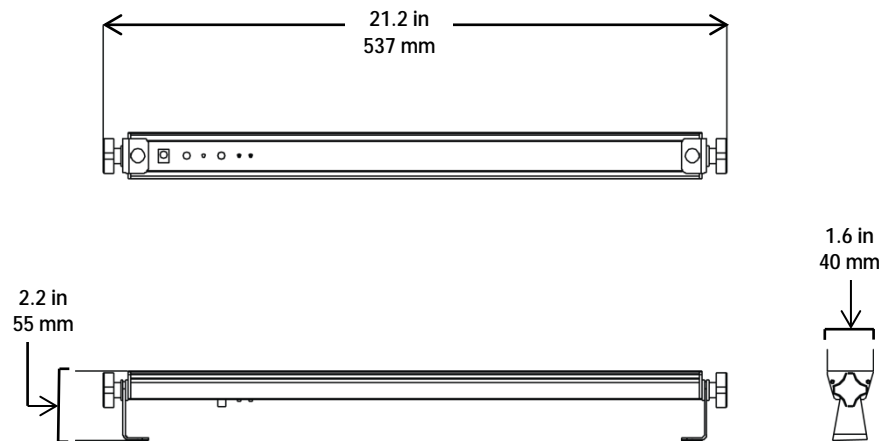
Moonflower



Three-Color Wash Effect light



UV Strobe Combo



3. SETUP

AC Power The JAM Pack™ Silver products have an external auto-ranging power supply that can work with an input voltage range of 100 to 240 VAC, 50/60 Hz.

To determine the product's power requirements (circuit breaker, power outlet, and wiring), use the current value listed on the label affixed to the power supply's back panel, or refer to the product's specifications chart. The listed current rating indicates the product's average current draw under normal conditions.



Always connect the product to a protected circuit (circuit breaker or fuse). Make sure the product has an appropriate electrical ground to avoid the risk of electrocution or fire.

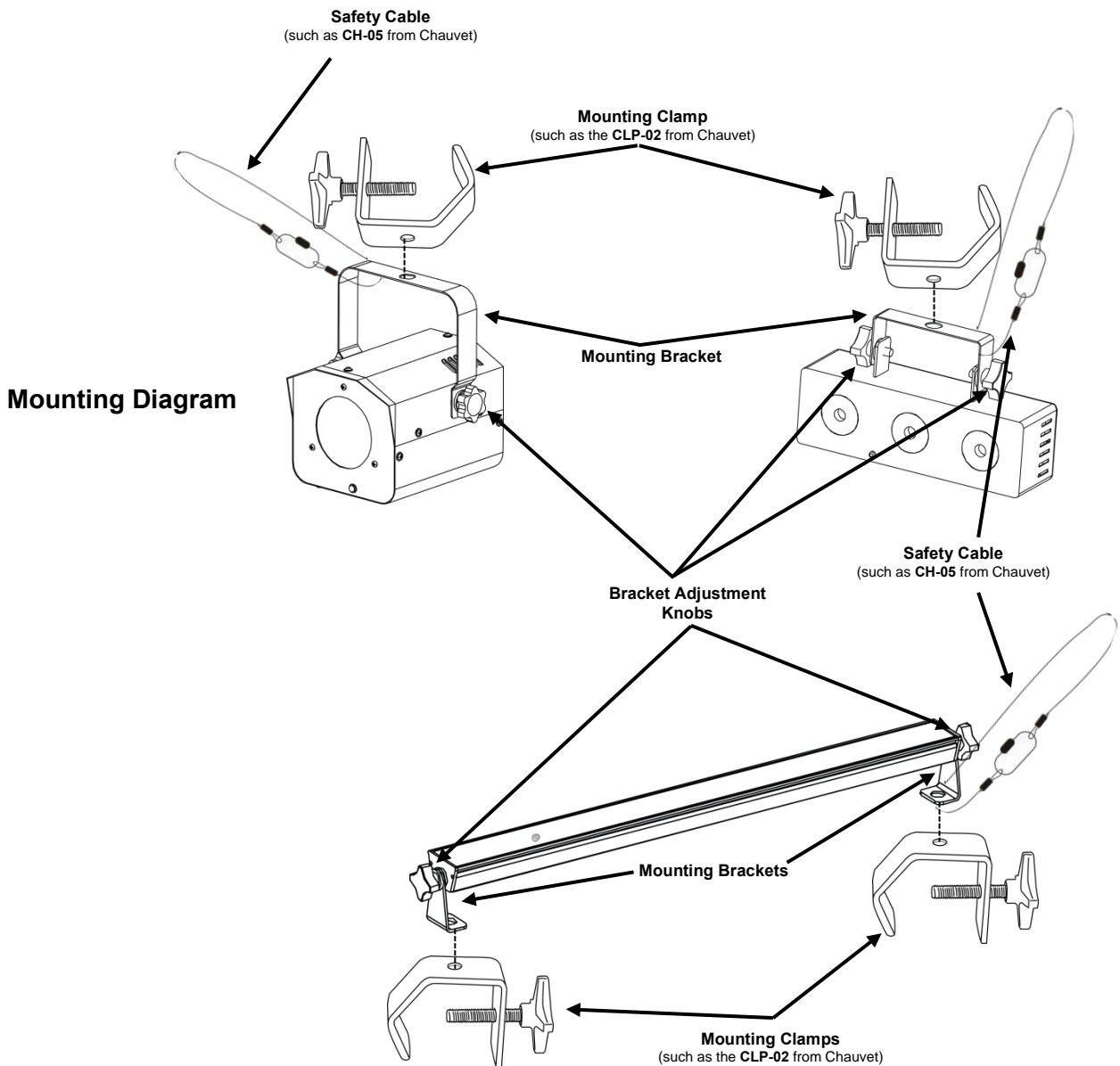


Never connect the product to a rheostat (variable resistor) or dimmer circuit, even if the rheostat or dimmer channel serves only as a 0 to 100% switch.

Mounting Before mounting the product, read and follow the safety recommendations indicated in the [Safety Notes](#).

Orientation The Products in the JAM Pack™ Silver may be mounted in any position; however, make sure adequate ventilation is provided around the product.

- Rigging**
- Before deciding on a location for the product, always make sure there is easy access to the product for maintenance and programming purposes.
 - Make sure that the structure onto which you are mounting the product can support the product's weight. See the [Technical Specifications](#) for weight information.
 - When mounting the product overhead, always use a safety cable. Mount the product securely to a rigging point, whether an elevated platform or a truss.
 - When rigging the product onto a truss, use a mounting clamp of appropriate weight capacity.
 - The bracket adjustment knobs allow for directional adjustment when aiming the product to the desired angle. Only loosen or tighten the bracket knobs manually. Using tools could damage the knobs.



4. OPERATION

UV Strobe Control Panel Operation	Button	Function
	<STROBE MODE>	Cycles through strobe modes
	<UV ON/OFF>	Turns the UV backlight on or off



- Indicator LED will blink when Strobe mode is on.
- Indicator LED will be static on when in Sound-Active mode.



The only product in the JAM Pack™ Silver with control buttons is the UV Strobe Combo. Both the Moonflower and the Three-Color Wash Effect light are only controllable by the IRC-6 remote and their sound sensitivity knobs.

UV Strobe Combo Strobe Modes	Function	LED Status
	Off	Static On
Strobe Modes	Very Slow (0.5–1 Hz)	Blinks to the speed of the strobe
	Slow (1–5 Hz)	
	Medium (5–10 Hz)	
	Fast (10–20 Hz)	
	Very Fast (20–30 Hz)	
	Static On	Static On
	Sound-Active Mode	Static On



The products will only respond to low frequencies of music (bass and drums).

Strobe Mode

Pressing <STROBE MODE> changes the UV Strobe Combo to the next mode. For example, if the UV Strobe Combo is set to **Static On** mode, and <STROBE MODE> is pressed once, the mode will be set to Sound-Active mode.

To cycle through modes on the UV Strobe Combo, press <STROBE MODE> repeatedly until the desired mode is set.

UV On/Off

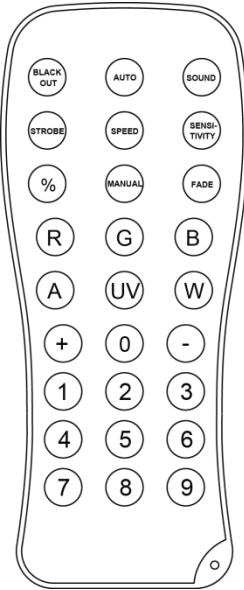
The UV LEDs on the UV Strobe Combo are controlled separately from the white strobe LEDs.

- If the UV LEDs are **On**, press <UV ON/OFF> to turn them **Off**.
- If the UV LEDs are **Off**, press <UV ON/OFF> to turn them **On**.

Infrared Remote Control

The JAM Pack™ Silver products are compatible with the IRC-6 infrared remote control from Chauvet. The Moonflower and Three-Color Wash Effect light are always in IR mode. For the UV Strobe Combo, IRC mode will activate at the press of any button on the remote.

IRC-6 Operation



Be sure the IRC-6 remote is pointing directly at the product and there is nothing in between the remote and the product.

The following buttons function with the JAM Pack™ Silver products:

- **<BLACK OUT>** - Turns LEDs on/off
- **<SOUND>** - Selects Sound-Active mode
- **<STROBE>** - Start/Stop strobing
- **<R>** - Static red
- **<G>** - Static green
- **** - Static blue
- **<UV>** - Turns the UV on/off for UV strobe
- **<W>** - Turns white on/off for UV strobe
- **<AUTO>** - Selects Auto mode (**<0>** through **<9>**)
 - <0>** - Red/Green/Blue
 - <1>** - Red
 - <2>** - Red/Green
 - <3>** - Red/Green
 - <4>** - Green
 - <5>** - Green/Blue
 - <6>** - Blue
 - <7>** - Red/Blue
 - <8>** - Red/Blue
 - <9>** - Red/Green
- **<+>** - Increases Strobe speed
- **<->** - Decreases Strobe speed
- All other buttons on the remote have no function with these products



- **The IRC-6 will not respond to any inputs when Black Out is activated. If the remote does not respond when a button is pressed, try pressing <BLACK OUT>. You may have inadvertently activated Black Out.**
- **From a distance, all products will respond to the IRC-6 simultaneously when they are in close proximity to each other. To select an individual product remotely, the IRC-6 must be aimed only at the desired product.**

5. MAINTENANCE

Product Maintenance

Dust build-up reduces light output performance and can cause overheating. This can lead to reduction of the light source's life and/or mechanical wear. To maintain optimum performance and minimize wear, clean your lighting products at least twice a month. However, be aware that usage and environmental conditions could be contributing factors to increase the cleaning frequency.

To clean the product, follow the instructions below:

1. Unplug the product from power.
2. Wait until the product is at room temperature.
3. Use a vacuum (or dry compressed air) and a soft brush to remove dust collected on the external surface/vents.
4. Clean all transparent surfaces with a mild soap solution, ammonia-free glass cleaner, or isopropyl alcohol.
5. Apply the solution directly to a soft, lint free cotton cloth or a lens cleaning tissue.
6. Softly drag any dirt or grime to the outside of the transparent surface.
7. Gently polish the transparent surfaces until they are free of haze and lint.



Always dry the transparent surfaces carefully after cleaning them.

6. TECHNICAL SPECIFICATIONS

Dimensions and Weight

	Length	Width	Height	Weight
Moonflower	6.9 in (175 mm)	5.8 in (146 mm)	6.3 in (160 mm)	1.6 lb (0.7 kg)
Wash Effect	7.5 in (190 mm)	2.4 in (61 mm)	4.3 in (108 mm)	1.0 lb (0.4 kg)
UV Strobe	21.2 in (537 mm)	1.6 in (40 mm)	2.2 in (55 mm)	0.6 lb (0.3 kg)

Note: Dimensions in inches rounded to the nearest decimal digit.

Power

Value	All Products	External Power Supply
Input Voltage	Fixed	Switching
Range	12 VDC, 1 A	100–240 VAC, 50/60 Hz
Voltage Selection	Fixed	Auto-Ranging

Parameter	Moonflower	Wash Effect	UV Strobe
Consumption (120 V)	6 W	5 W	12 W
Operating Current (120 V)	0.113 A	0.08 A	0.18 A
Consumption (230 V)	5 W	4 W	12 W
Operating Current (230 V)	0.062 A	0.05 A	0.10 A
Fuse	N/A	N/A	N/A

Power I/O	U.S./Worldwide
Power input connector	IEC
Power output connector	Edison
Power Cord plug	Edison (U.S.)

Light Source

	Type	Power	Lifespan
Moonflower	LED	6 W	50,000 hours
Wash-Effect	LED	1 W	50,000 hours
UV Strobe	LED (W)	0.6 W	50,000 hours
	LED (UV)	1.05 W	50,000 hours

	Color	Quantity	Current
Moonflower	Tri-color RGB	1	2 A
Wash-Effect	Red	1	1 A
	Green	1	1 A
	Blue	1	1 A
	UV Strobe	W	4
	UV	5	0.31 A

Photometrics

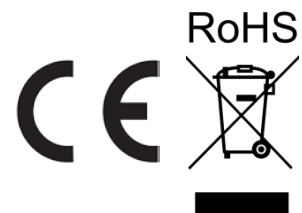
Parameter	Moonflower	Wash-Effect	UV Strobe
Strobe Rate	0 to 16 Hz	0 to 16 Hz	0 to 30 Hz

Thermal

Maximum External Temp.	Cooling System
104 °F (40 °C)	Convection

Ordering

Product Name	Item Code	UPC Number
JAM Pack™ Silver	10050955	781462213039



To return a product or request support:

- In the U.S., contact Chauvet World Headquarters (See [Contact Us](#)).
- In the UK or Ireland, contact Chauvet Europe Ltd. (See [Contact Us](#)).
- In Mexico, contact Chauvet Mexico. (See [Contact Us](#)).
- In any other country, DO NOT contact Chauvet. Instead, contact your lighting distributor. See www.chauvetlighting.com for distributors outside the U.S., UK, Mexico, or Ireland.



Outside the U.S., UK, Mexico, or Ireland, contact your distributor and follow their instructions on how to return Chauvet products to them. Visit our website for contact details.

Returns

Call the corresponding Chauvet Technical Support office and request a Return Merchandise Authorization (RMA) number before shipping the product. Be prepared to provide the model number, serial number, and a brief description of the cause for the return.

You must send the merchandise prepaid, in its original box, and with its original packing and accessories. Chauvet will not issue call tags.

Clearly label the package with the RMA number. Chauvet will refuse any product returned without an RMA number.



Write the RMA number on a properly affixed label. DO NOT write the RMA number directly on the box.

Before sending the product, clearly write the following information on a piece of paper and place it inside the box:

- Your name
- Your address
- Your phone number
- RMA number
- A brief description of the problem

Be sure to pack the product properly. Any shipping damage resulting from inadequate packaging will be your responsibility. FedEx packing or double-boxing are recommended.



Chauvet reserves the right to use its own discretion to repair or replace returned product(s).

CONTACT US

WORLD HEADQUARTERS - Chauvet

General Information

Address: 5200 NW 108th Avenue
Sunrise, FL 33351
Voice: (954) 577-4455
Fax: (954) 929-5560
Toll free: (800) 762-1084

Technical Support

Voice: (954) 577-4455 (Press 4)
Fax: (954) 756-8015
Email: tech@chauvetlighting.com

World Wide Web www.chauvetlighting.com

UNITED KINGDOM AND IRELAND - Chauvet Europe Ltd.

General Information

Address: Unit 1C
Brookhill Road Industrial Estate
Pinxton, Nottingham, UK
NG16 6NT
Voice: +44 (0)1773 511115
Fax: +44 (0)1773 511110

Technical Support

Email: uktech@chauvetlighting.com

World Wide Web www.chauvetlighting.co.uk

MEXICO - Chauvet Mexico

General Information

Address: Av. Santa Ana 30
Parque Industrial Lerma
Lerma, Mexico C.P. 52000
Voice: +52 (728) 285-5000

Technical Support

Email: servicio@chauvet.com.mx

World Wide Web www.chauvet.com.mx

Outside the U.S., United Kingdom, Ireland, or Mexico, contact the dealer of record and follow their instructions to request support or to return a product. Visit the Chauvet website for contact information.