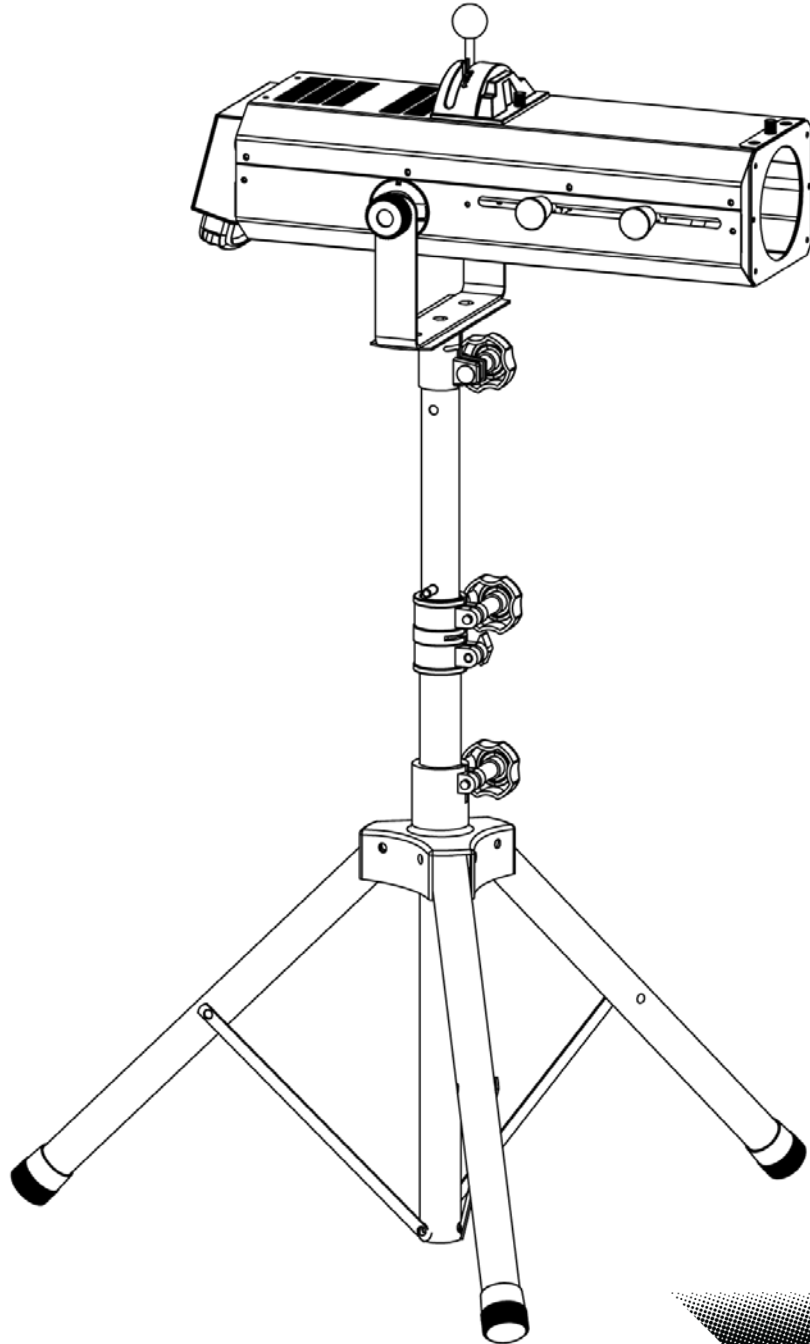


LED FOLLOWSPOT 755T

User Manual



CHAUVET[®]**3**
It's
Green Thinking.[™]

TABLE OF CONTENTS

1. Before you Begin	3
What is Included	3
Unpacking Instructions	3
<i>Claims</i>	3
Text Conventions.....	3
Symbols	3
Disclaimer	3
Product at a Glance	4
Safety Notes	4
2. Introduction	5
Product Overview	5
Product Dimensions	6
3. Setup	7
AC Power.....	7
<i>Fuse Replacement</i>	7
Mounting	8
<i>Orientation</i>	8
<i>Rigging</i>	8
4. Operation	9
Control Panel Operation	9
Menu Map.....	9
Gobo Replacement.....	9
Configuration (DMX)	10
<i>Starting Address</i>	10
DMX Channel Assignments and Values	10
<i>3-CH</i>	10
Configuration (Standalone).....	11
<i>Button Menu</i>	11
5. Technical Information	12
Product Maintenance.....	12
Technical Specifications	13
Returns	14
Contact Us	14

1. BEFORE YOU BEGIN

What is Included

- LED Followspot 75ST
- Power Cord
- Tripod
- Warranty Card
- Quick Reference Guide

Unpacking Instructions

Carefully unpack the product immediately and check the container to make sure all the parts are in the package and are in good condition.

Claims




If the box or the contents (the product and included accessories) appear damaged from shipping, or show signs of mishandling, notify the carrier immediately, not CHAUVET®. Failure to report damage to the carrier immediately may invalidate your claim. In addition, keep the box and contents for inspection.

For other issues, such as missing components or parts, damage not related to shipping, or concealed damage, file a claim with CHAUVET® within 7 days of delivery.

Text Conventions

Convention	Meaning
1–512	A range of values
50/60	A set of values of which only one can be chosen
<i>Settings</i>	A menu option not to be modified
<i>Menu > Settings</i>	A sequence of menu options to be followed
<ENTER>	A key to be pressed on the product's control panel
ON	A value to be entered or selected

Symbols

Symbol	Meaning
	Critical installation, configuration, or operation information. Not following these instructions may make the product not work, cause damage to the product, or cause harm to the operator.
	Important installation or configuration information. The product may not function correctly if this information is not used.
	Useful information.

Disclaimer

The information and specifications contained in this document are subject to change without notice. CHAUVET® assumes no responsibility or liability for any errors or omissions that may appear in this manual. CHAUVET® reserves the right to update the existing document or to create a new document to correct any errors or omissions.

You can download the latest version of this document from www.chauvetlighting.com.

© Copyright 2014 CHAUVET®. All rights reserved.

Electronically published by CHAUVET® in the United States of America

Author	Date	Editor	Date
A. Leon	01/08/14	L. Henry	01/09/14

Product at a Glance

Use on Dimmer	X	Auto Programs	X
Outdoor Use	X	Switchable Power Supply	P
Sound-Activated	X	Replaceable Fuse	P
DMX	P	User-Serviceable	X
Master/Slave	P		

Safety Notes

Please read the following Safety Notes carefully before working with this product. They include important safety information about its installation, usage, and maintenance.



- Always connect this product to a grounded circuit to avoid the risk of electrocution.
- Always disconnect this product from the power source before cleaning it or replacing the fuse.
- Avoid direct eye exposure to the light source while the product is on.
- Make sure the power cord is not crimped or damaged.
- Never disconnect this product from power cord by pulling or tugging on the cord.
- If mounting this product overhead, always secure it to a fastening device using a safety cable.
- Make sure there are no flammable materials close to the unit while operating.
- Do not touch this product's housing when operating because it may be very hot.



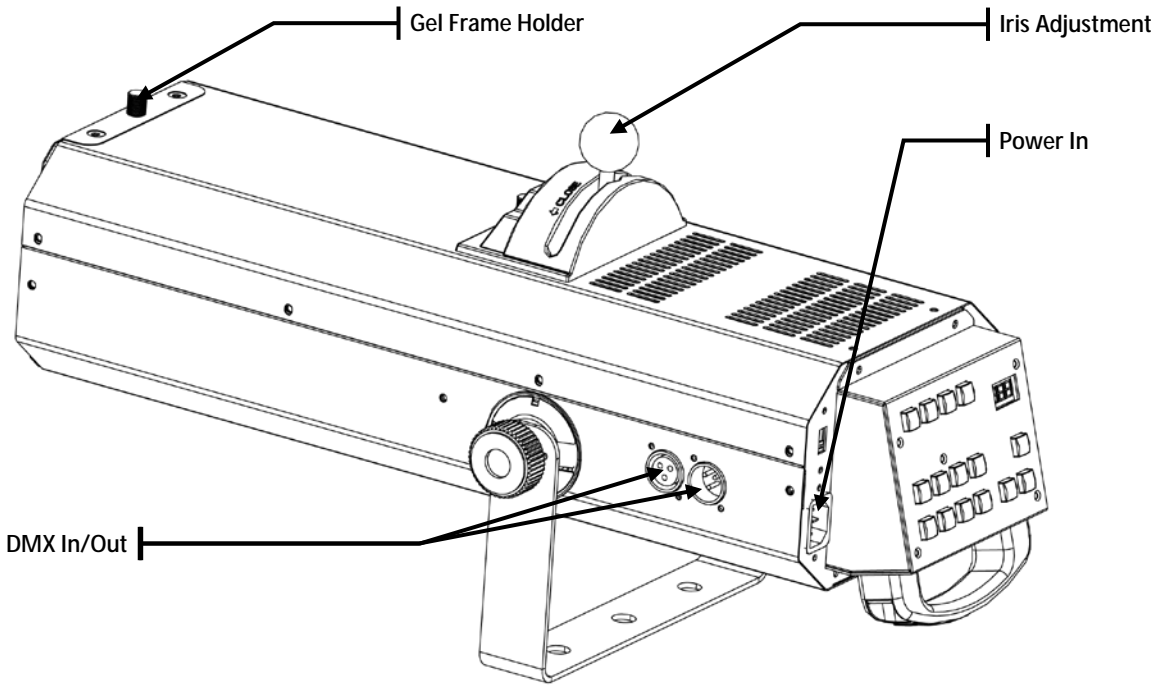
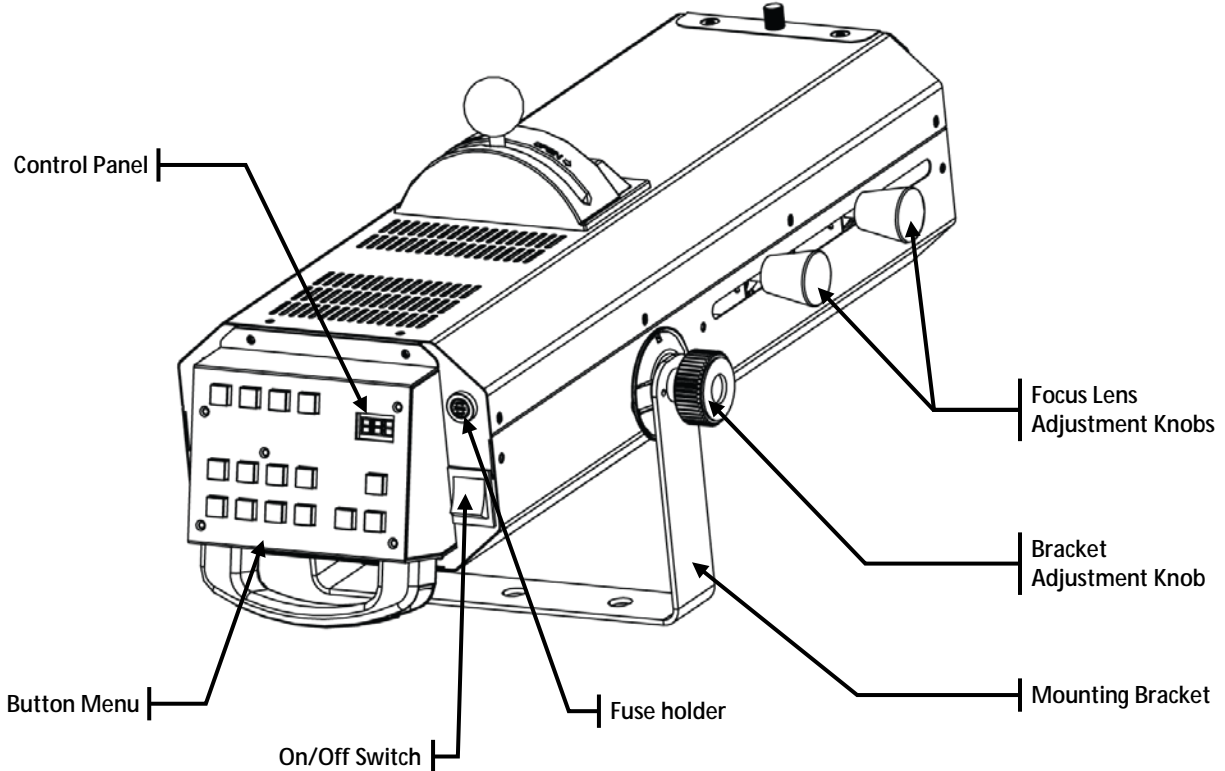
- Always make sure that the voltage of the outlet to which you are connecting this product is within the range stated on the specifications sticker or rear panel of the product.
- This product is for indoor use only! (IP20) To prevent risk of fire or shock, do not expose this product to rain or moisture.
- Always install this product in a location with adequate ventilation, at least 20 in (50 cm) from adjacent surfaces.
- Be sure that no ventilation slots on the unit's housing are blocked.
- Never connect this product to a dimmer.
- Make sure to replace the fuse with another of the same type and rating.
- Never carry this product from the power cord or any moving part. Always use the hanging/mounting bracket or the handle.
- The maximum ambient temperature (Ta) is 104 °F (40 °C). Do not operate this product at higher temperatures.
- In the event of a serious operating problem, stop using the unit immediately.
- Never try to repair this product. Repairs carried out by unskilled people can lead to damage or malfunction. Please contact the nearest authorized technical assistance center.



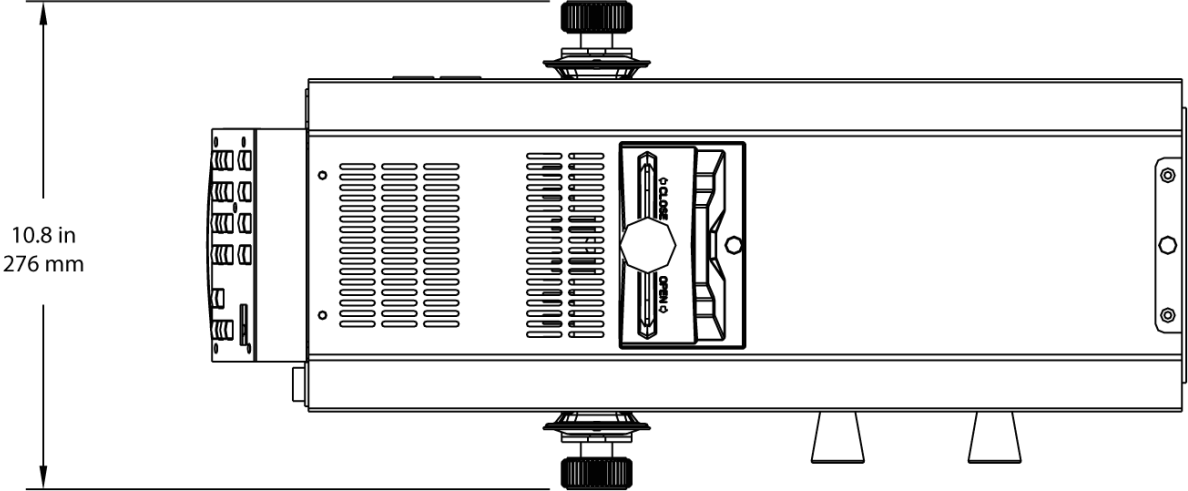
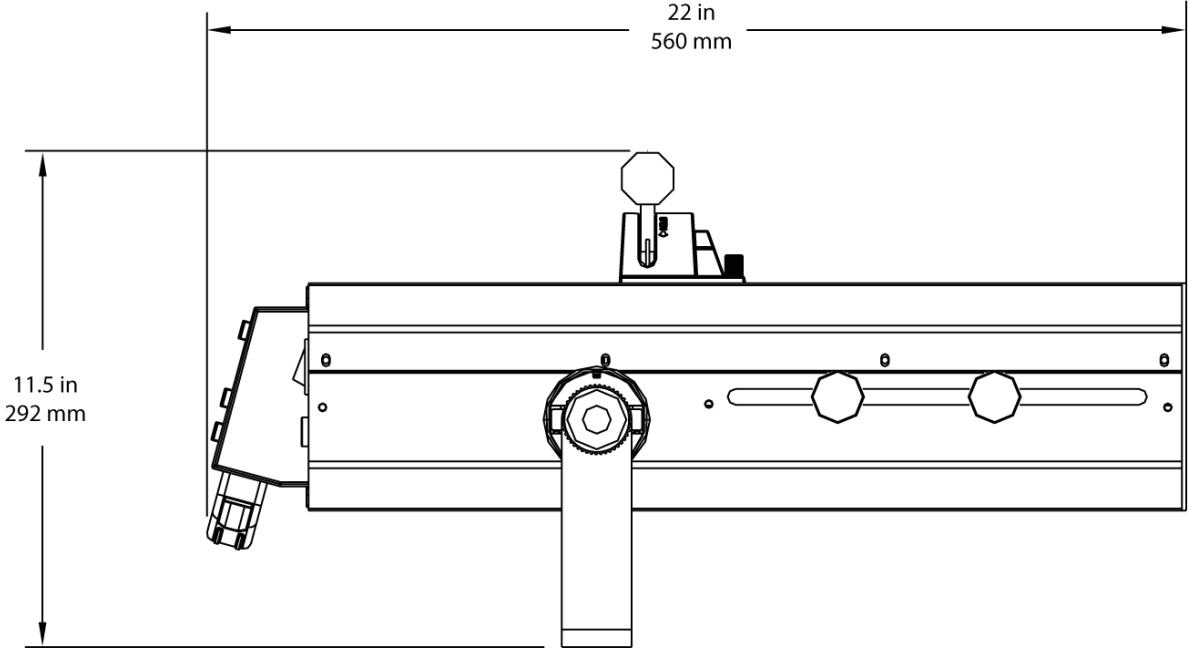
- Keep this User Manual for future consultation. If you sell this product to another user, be sure that they also receive this document.

2. INTRODUCTION

Product Overview



Product Dimensions



3. SETUP

AC Power

This product has a switchable power supply that can work with an input voltage of 120 VAC or 230 VAC, 50/60 Hz.

To determine the power requirements for this product (circuit breaker, power outlet, and wiring), use the current value listed on the sticker affixed to the product's back panel, or refer to the product's [Technical Specifications](#) chart. The listed current rating indicates the product's average current draw under normal conditions.



Always connect this product to a protected circuit (circuit breaker or fuse), making sure that it has an appropriate electrical ground to avoid the risk of electrocution or fire.



Never connect this product to a rheostat (variable resistor) or dimmer circuit, even if the rheostat or dimmer channel serves only as a 0 to 100% switch.

Fuse Replacement

Follow the instructions below to change the fuse, if necessary.



Disconnect this product from power before replacing the fuse.

1. Disconnect this product from power.
2. Using a Phillips #2 head screwdriver, unscrew the fuse holder cap from the housing.
3. Remove the blown fuse.
4. Replace with a good fuse of the same type and rating.
5. Screw the fuse holder cap back in place and reconnect power.



Always replace a blown fuse of the same type and rating.

Mounting

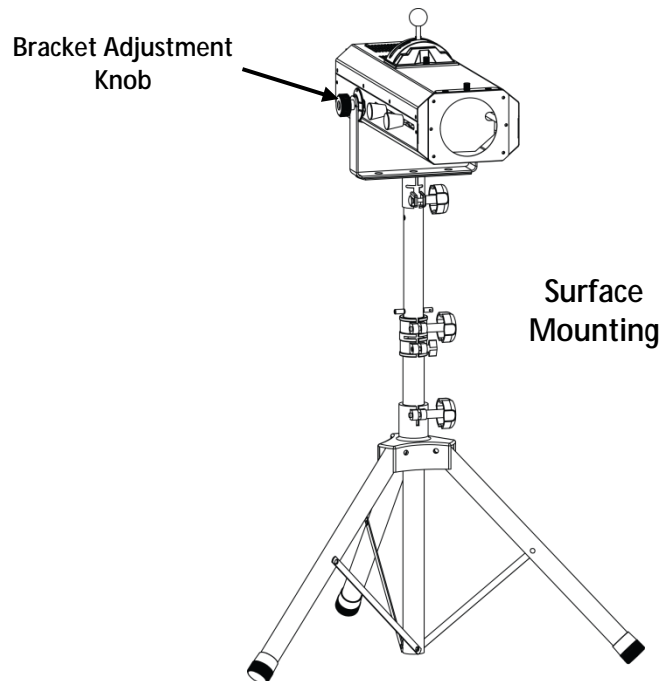
Before mounting this product, read and follow the safety recommendations indicated in the [Safety Notes](#) section.

Orientation

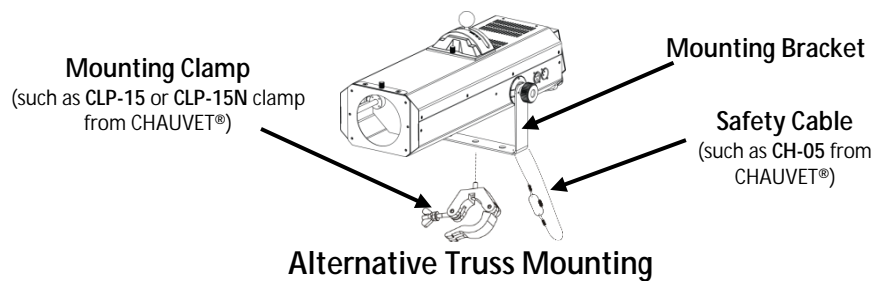
The LED Followspot 75ST may be mounted in any position; however, make sure adequate ventilation is provided around the product.

Rigging

- Before deciding on a location for this product, always make sure that it will be easy to access the unit for maintenance and programming purposes.
- Make sure that the structure onto which you are mounting this product can support its weight. Please see the [Technical Specifications](#) section of this manual for weight information.
- If mounting this product overhead, always use a safety cable. Mount the product securely to a rigging point, whether an elevated platform or a truss.
- When rigging this product onto a truss, you should use a mounting clamp of appropriate weight capacity. The bracket has 13 mm holes, which are appropriate for this purpose.
- The bracket adjustment knobs allow for directional adjustment when aiming the product to the desired angle. Only loosen or tighten the bracket knobs using your bare hands. Using tools could damage the knobs.



Mounting Diagram



The alternative truss mounting is recommended for static installation only. While using the truss mounting, be sure to continuously check and secure the rigging points, especially if repositioning the LED Followspot 75ST.

4. OPERATION

Control Panel Operation

To access the control panel functions, use the buttons located underneath the display. Please refer to the Product Overview to see the buttons location on the control panel.

Button	Function
<POWER SWITCH>	Turns power on and off
<DIMMER MAX>	Opens dimmer to a maximum of 100% (hold to raise percentage)
<DIMMER MIN>	Closes dimmer to a minimum of 0 (hold to lower percentage)
<SHUTTER ON>	Turns LED on (default setting)
<BLACK OUT>	Turns LED off
<ORANGE>	Projects orange color
<CYAN>	Projects cyan color
<RED>	Projects red color
<GREEN>	Projects green color
<MAGENTA>	Projects magenta color
<YELLOW>	Projects yellow color
<BLUE>	Projects blue color
<WHITE>	Projects white light
<FUNCTION SELECT>	Selects Manual or DMX Mode
<UP>	In DMX Mode, moves channel number up
<DOWN>	In DMX Mode, moves channel number down

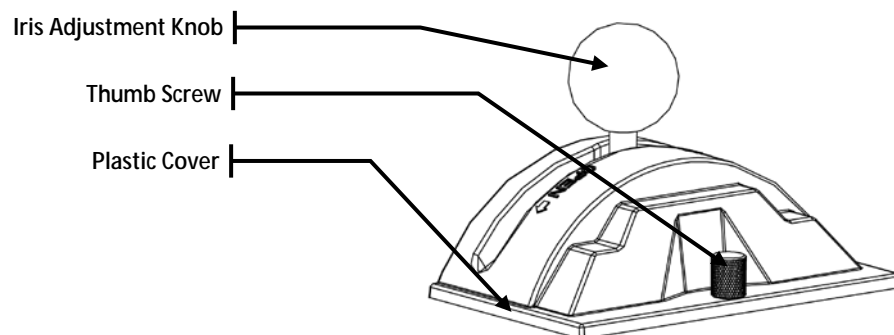
Menu Map

Mode	Programming Steps	Description
Manual Mode	NAn	Selects Manual mode
DMX Address	001 001–512	Selects the DMX starting address

Gobo Replacement

To access the gobo holder, follow the steps below:

1. Unscrew the Iris Adjustment knob.
2. Unscrew the thumbscrew.
3. Remove the plastic cover.
4. Remove the gobo holder inside.
5. Change the gobo.
6. Replace everything in reverse order to use your chosen gobo.



Configuration (DMX)

Set this product in DMX mode to control it with a DMX controller.

1. Connect this product to a suitable power outlet.
2. Turn this product on.
3. Connect a DMX cable from the DMX output of the DMX controller to the DMX input socket of this product.

Starting Address

When selecting a starting DMX address, always consider the number of DMX channels the selected DMX mode uses. If you choose a starting address that is too high, you could restrict the access to some of the product's channels.

The LED Followspot 75ST uses up to 3 DMX channels in its 3-channel DMX personality, which defines the highest configurable address to **510**.

For more information about DMX download the CHAUVET® DMX Primer from the CHAUVET® website <http://www.chauvetlighting.com/download>.

To select the starting address, do the following:

1. Press **<FUNCTION SELECT>** until **001** shows on the display.
2. Press **<UP>** or **<DOWN>** to select the desired starting address.

DMX Channel Assignments and Values

3-CH	Channel	Function	Value	Setting
	1	Dimmer	000 ó 255	0–100%
	2	Color	000 ó 031	White
			032 ó 063	Dark blue
			064 ó 095	Yellow
			096 ó 127	Purple
			128 ó 159	Green
			160 ó 191	Red
			192 ó 223	Light blue
			224 ó 255	Orange
	3	Strobe	000 ó 003	No function
			004 ó 007	Open
			008 ó 215	Strobe, slow to fast
			216 ó 255	Open

Configuration (Standalone)

Set this product in one of the standalone modes to control it without a DMX controller.

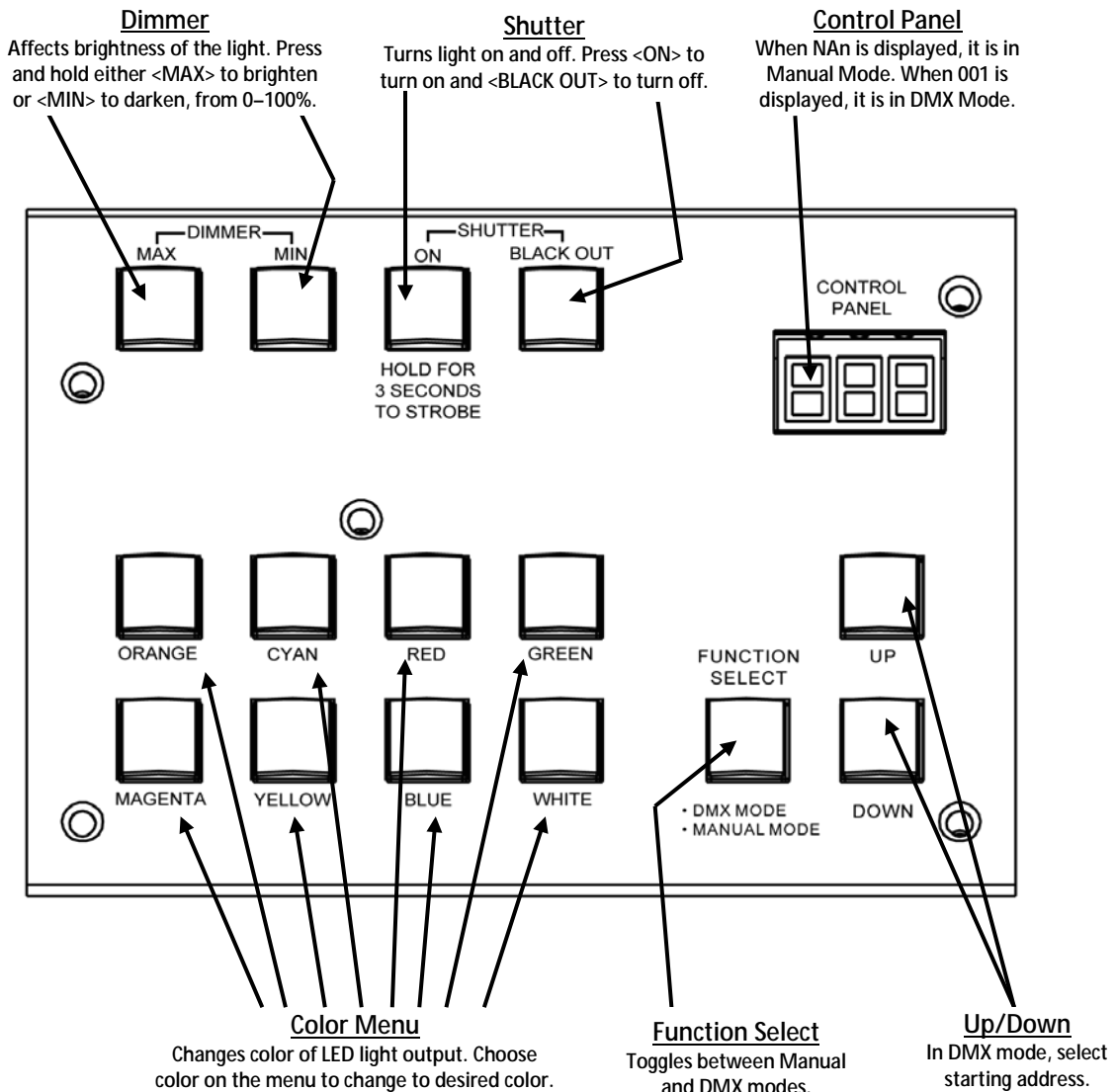
1. Connect this product to a suitable power outlet.
2. Turn this product on.



Never connect a product that is operating in any standalone mode to a DMX string connected to a DMX controller. This is because products in standalone mode may transmit signals that could interfere with the DMX signals from the controller.

Button Menu

To control the product in standalone mode, press **<FUNCTION SELECT>** until the Control Panel displays **NAn**. Then, simply use the button menu on the back of the product. Each button serves a different function, as detailed below.



5. TECHNICAL INFORMATION

Product Maintenance

Dust build-up reduces light output performance and can cause overheating. This can lead to reduction of the light source's life and/or mechanical wear. To maintain optimum performance and minimize wear, you should clean your lighting products at least twice a month. However, be aware that usage and environmental conditions could be contributing factors to increase the cleaning frequency.

To clean this product, follow the instructions below:

- Unplug the product from power.
- Wait until the product is at room temperature.
- Use a vacuum (or dry compressed air) and a soft brush to remove dust collected on the external surface/vents.
- Clean all lens surfaces with a mild soap solution, ammonia-free glass cleaner, or isopropyl alcohol.
- Apply the solution directly to a soft, lint free cotton cloth or a lens cleaning tissue.
- Softly drag any dirt or grime to the outside of the lens surface.
- Gently polish the lens surfaces until they are free of haze and lint.



Always dry the lens surfaces carefully after cleaning them.



Do not spin the cooling fans while blowing compressed air into them.

Technical Specifications

Dimensions and Weight	Length	Width	Height	Weight
	22 in (560 mm)	10.8 in (276 mm)	11.5 in (292 mm)	13.3 lb (6 kg)

Note: Dimensions in inches rounded to the nearest decimal digit.

Power	Power Supply Type	Range	Voltage Selection
	Switching (external)	120/230 VAC, 50/60 Hz	Switchable

Parameter	120V, 60Hz	230V, 50Hz
Consumption	215 W	220 W
Operating	1.8 A	1 A
Fuse	F 2 A, 250 V	F 2 A, 250 V

Power I/O	US/Canada	UK/Worldwide
Power input connector	IEC	IEC
Power Cord plug	Edison (US)	Local plug

Light Source	Type	Power	Lifespan
	LED	75 W	50,000 hours

Color	Quantity	Current
White	1	18 A

Photo Optic	Parameter	Narrow Lenses
	Illuminance @ 2 m (14°)	8,140 lux
	Illuminance @ 2 m (20°)	4,650 lux
	Strobe rate	0–16 Hz
	Iris (min)	5° (at tightest zoom)
	Zoom angle	14° to 20°
		23.7 mm outside
	Gobo size	21.3 mm image 1 mm max thickness

Thermal	Maximum External Temp.	Cooling System
	104 °F (40 °C)	Fan-assisted

DMX	I/O Connectors	Connector Type	Channel Range
	3-pin XLR	Sockets	3

Ordering	Product Name	Item Code	UPC Number
	LED Followspot 75ST	08040503	781462208554



UL 1573
CSA C22.2 No. 166
E113093



RETURNS

To return a product or request support:

- In the U.S., contact CHAUVET® World Headquarters (see below).
- In the UK or Ireland, contact CHAUVET® Europe Ltd. (see below).
- In Mexico, contact CHAUVET® Mexico (see below).
- In any other country, DO NOT contact CHAUVET®. Contact the distributor of record. See www.chauvetlighting.com for a list of distributors.



If you live outside the U.S., United Kingdom, Ireland, or Mexico, contact your distributor of record and follow their instructions on how to return CHAUVET® products to them. Visit our website for contact details.

U.S., UK, Ireland, and Mexico

Call the corresponding CHAUVET® Technical Support office and request a Return Merchandise Authorization (RMA) number before shipping the product. Be prepared to provide the model number, serial number, and a brief description of the reason for the return. You must send the merchandise prepaid, in its original box, and with its original packing and accessories. CHAUVET® will not issue call tags. Clearly label the package with the RMA number. CHAUVET® will refuse any product returned without an RMA number.



Write the RMA number on a properly affixed label. DO NOT write the RMA number directly on the box.

Before sending the product, clearly write the following information on a piece of paper and place it inside the box:

Your name Your address Your phone number
RMA number A brief description of the problem

Be sure to pack the product properly. FedEx packing or double-boxing are recommended.



CHAUVET® reserves the right to use its own discretion to repair or replace returned product(s). CHAUVET® is not responsible for shipping damage of returned items.

CONTACT Us

WORLD HEADQUARTERS - CHAUVET®

General Information

Address: 5200 NW 108th Avenue
Sunrise, FL 33351
Voice: (954) 577-4455
Fax: (954) 929-5560
Toll free: (800) 762-1084

Technical Support

Voice: **(954) 577-4455 (Press 4)**
Fax: (954) 756-8015
Email: tech@chauvetlighting.com

World Wide Web

www.chauvetlighting.com

UNITED KINGDOM AND IRELAND - CHAUVET® Europe Ltd.

General Information

Address: Unit 1C
Brookhill Road Industrial
Estate
Pinxton, Nottingham, UK
NG16 6NT
Voice: +44 (0)1773 511115
Fax: +44 (0)1773 511110

Technical Support

Email: uktech@chauvetlighting.com

World Wide Web

www.chauvetlighting.co.uk

MEXICO - CHAUVET® Mexico

General Information

Address: Av. Santa Ana 30
Parque Industrial Lerma
Lerma, Mexico C.P. 52000
Voice: +52 (728) 285-5000

Technical Support

Email: servicio@chauvet.com.mx

World Wide Web

www.chauvet.com.mx

Outside the U.S., United Kingdom, Ireland, or Mexico, contact the dealer of record and follow their instructions to request support or to return a product. Visit the CHAUVET® website for contact information.