



Powered Studio Monitor

HS Series



HS5I HS7I HS8I

for Installation



ACCESS ALL AREAS

Ever since the Yamaha powered studio monitors made their debut in the 1970's, their iconic white woofer and signature sound have become the preferred choice for countless professional audio engineers around the world. By adding mounting points to the HS, HS I models are compatible with three optional bracket types—wall, ceiling, and baton—offering the flexibility needed to meet the demands of a broad range of sonic environments.

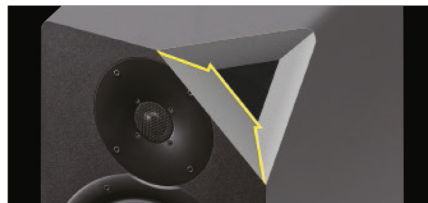


Highly Efficient Transducers



The HS Series features newly developed transducers that achieve astonishingly smooth response over a wide range of bandwidth. These transducers utilize an advanced magnetic field design that regulates the flow of magnetic response to provide seamless, natural sonic transitions. Each component's materials and design were carefully re-examined, then optimized, to drastically improve the accuracy of signal reproduction throughout the audio spectrum.

Low Resonance Enclosure Design



The enclosures are constructed from a very dense and resilient MDF with a damped acoustic response that is perfectly suited for reference monitors. Drawing from Yamaha's over 100 years of piano design experience, HS Series engineers also employed a traditional three-way mitered-joint technique. Common to architectural design this construction firmly anchors the corners of the enclosure to dramatically improve durability and eliminate unwanted resonance that can influence overall sound.

Wide range of applications

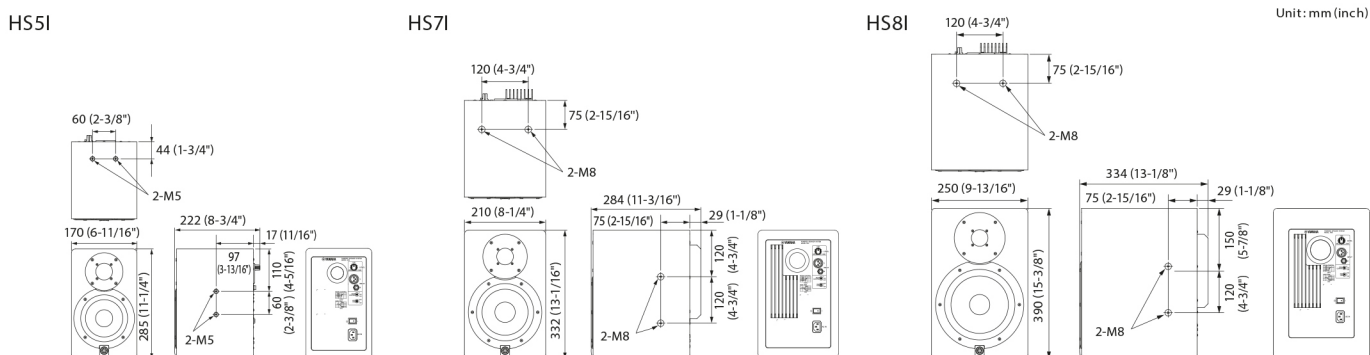


HS I powered speakers feature flexible mounting options that help bring a stylish aesthetic and classic HS sound to a more diverse range of installed applications.

General Specifications

Model		HS5 I (Black, White)	HS7 I (Black, White)	HS8 I (Black, White)
Type		Bi-amp 2-way powered speaker		
Overall Frequency Response	-3dB	74 Hz – 24 kHz	55 Hz – 24 kHz	47 Hz – 24 kHz
	-10dB	54 Hz – 30 kHz	43 Hz – 30 kHz	38 Hz – 30 kHz
Crossover Frequency		2 kHz	2 kHz	2 kHz
Speaker Components		LF: 5" cone	LF: 6.5" cone	LF: 8" cone
		HF: 1" dome	HF: 1" dome	HF: 1" dome
Output Power	Total	70 W (dynamic power)	95 W (dynamic power)	120 W (dynamic power)
	LF	45 W (4 ohms)	60 W (4 ohms)	75 W (4 ohms)
	HF	25 W (8 ohms)	35 W (8 ohms)	45 W (8 ohms)
Input Sensitivity / Impedance		-10 dBu/10k ohms		
Input Connectors (Parallel)		1: XLR-3-31 type (balanced) 2: PHONE (balanced)		
Controls		LEVEL control (+4 dB, center click) EQ: HIGH TRIM switch (+/- 2 dB at HF), ROOM CONTROL switch (0/-2/-4 dB under 500Hz)		
Indicator		Power ON (White LED)		
Power Consumption		45 W	55 W	60 W
Enclosure		Bass-reflex type, Material: MDF		
Mounting Points		Four surfaces x 2 x M5 (60 mm pitch)	Four surfaces x 2 x M8 (120 mm pitch)	Four surfaces x 2 x M8 (120 mm pitch)
Dimensions (W x H x D)		170 mm x 285 mm x 222 mm (6-11/16" x 11-1/4" x 8-3/4")	210 mm x 332 mm x 284 mm (8-1/4" x 13-1/16" x 11-3/16")	250 mm x 390 mm x 334 mm (9-13/16" x 15-3/8" x 13-1/8")
Weight		5.5 kg (12.1 lbs.)	8.7 kg (19.2 lbs.)	10.7 kg (23.6 lbs.)
Packaging		Single		

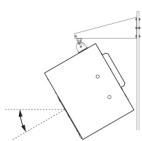
Dimensions



Optional Brackets

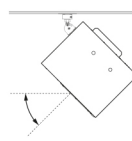
Wall mount

Model	Bracket	Maximum tilt angle
HS8I	BWS251-300	30°
	BWS251-400	45°
	BWS50-260	0°
	BWS50-190	Not compatible
HS7I	BWS251-300	35°
	BWS251-400	45°
	BWS50-260	0°
	BWS50-190	Not compatible
HS5I	BWS20-190	0°
	BWS20-120	Not compatible



Ceiling mount

Model	Bracket	Maximum tilt angle
HS8I	BCS251	45°
	BWS50-260	30°
	BWS50-190	30°
HS7I	BCS251	45°
	BWS50-260	30°
	BWS50-190	30°
HS5I	BCS20-210	20°
	BCS20-150	20°
	BWS20-190	20°
	BWS20-120	20°

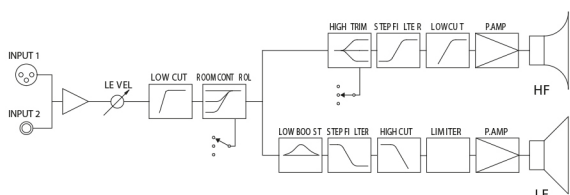


Baton mount

Model	Bracket	Maximum tilt angle
HS8I	BBS251	-
HS7I	BBS251	-



Block Diagram



Related Product

Powered Subwoofer

HS8S



Frequency range (-10dB)	22Hz - 160Hz
Components	LF 8" cone
Output Power	150 W, 4 ohms (dynamic power)



SHARING PASSION & PERFORMANCE

YAMAHA CORPORATION
P.O. BOX 1, Hamamatsu Japan

www.yamahaproaudio.com

*All specifications are subject to change without notice.

*All trademarks and registered trademarks are property of their respective owners.



LPA663

P10027787