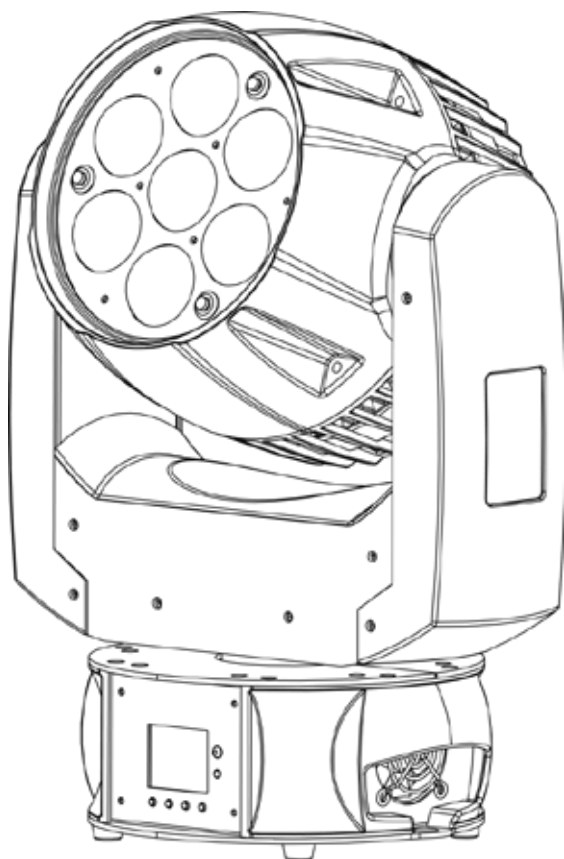


INTIMIDATOR™

WASH ZOOM 350 IRC

Quick Reference Guide



CHAUVET®

About This Guide The Intimidator™ Wash Zoom 350 IRC Quick Reference Guide (QRG) has basic product information such as mounting, menu options, and DMX values. Download the User Manual from www.chauvetlighting.com for more details.

Disclaimer The information and specifications contained in this QRG are subject to change without notice.

Safety Notes These Safety Notes include important information about installation, use, and maintenance.



- This product is not intended for permanent installation.
- Only connect this product to a grounded and protected circuit.
- Always disconnect from power before cleaning or replacing the fuse.
- Do not look at the light source when the product is on.
- Make sure the power cord is not crimped or damaged.
- Never disconnect this product from power by pulling on the cord.
- When mounting this product overhead, use a safety cable.
- Do not allow flammable materials close to the unit while operating.
- Do not touch this product when it is operating because it may be hot.



- The voltage of the outlet to which you are connecting this product must be within the range stated on the decal or rear panel of the product.
- This product is for indoor use only! (IP20) To prevent risk of fire or shock, do not expose this product to rain or moisture.
- Always mount this product in a location with adequate ventilation, at least 20 in (50 cm) from adjacent surfaces.
- Be sure that no ventilation slots on the unit's housing are blocked.
- Never connect this product to a dimmer or rheostat.
- Replace the fuse with another of the same type and rating.
- Only use the handles or attached mounting clamp of appropriate weight capacity to carry this product.
- The maximum ambient temperature is 104 °F (40 °C). Do not operate this product at higher temperatures.
- In the event of a serious operating problem, stop using immediately.
- Do not open this product. It contains no user-serviceable parts.
- To eliminate wear and improve its lifespan, during periods of non-use completely disconnect from power via breaker or by unplugging it.

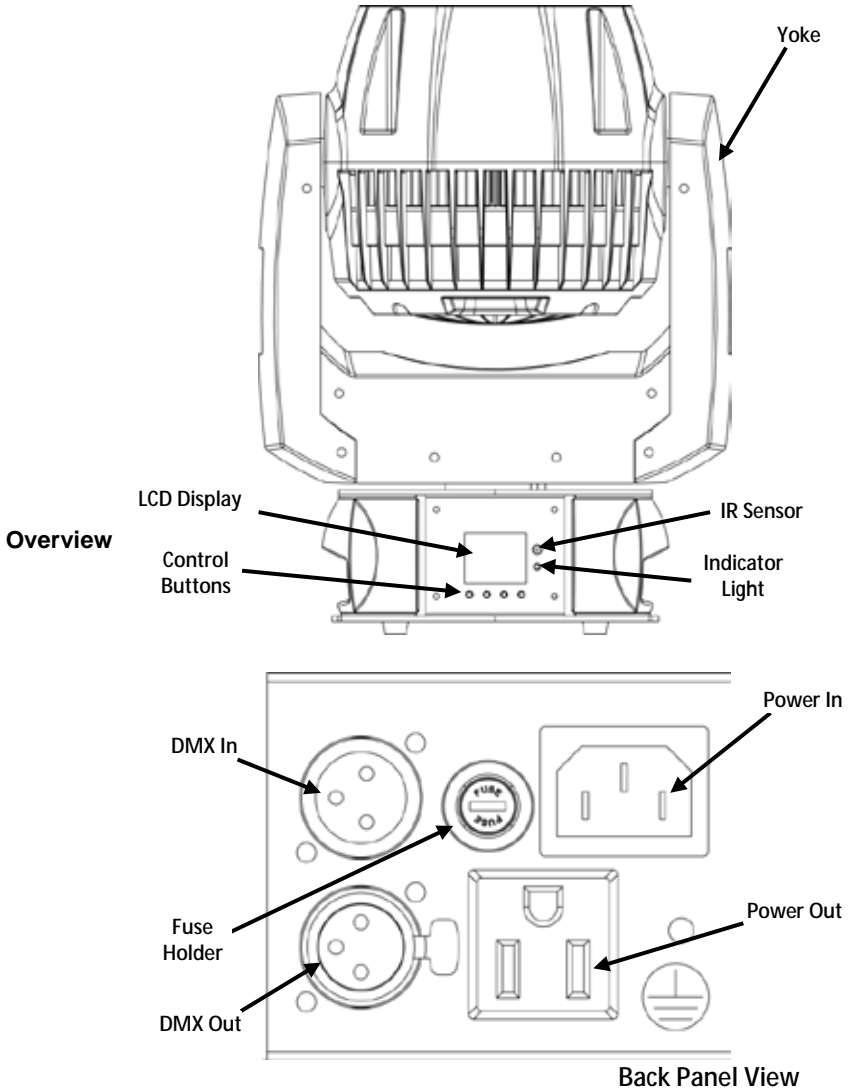
Contact Outside the U.S., United Kingdom, Ireland, Mexico, or Benelux, contact your distributor to request support or return a product. Visit www.chauvetlighting.com for contact information.

What is Included

- Intimidator™ Wash Zoom 350 IRC
- Power Cord
- Thread Reducing Adaptor
- Warranty Card
- Quick Reference Guide

To Begin Unpack your Intimidator™ Wash Zoom 350 IRC and make sure you have received all parts in good condition. If the box or contents appear damaged, notify the carrier immediately, not Chauvet.

Description The Intimidator™ Wash Zoom 350 IRC is a feature-packed compact moving head wash fitted with 20 W quad-color RGBW LEDs. Motorized zoom allows short-throw and long-throw applications. Simple navigation and full text readout is displayed on a high-contrast, full-color LCD display. Generate a synchronized show in Master/Slave mode with easy-to-access, built-in automated programs. The optional IRC-6 remote from Chauvet offers convenient, wireless non-DMX control. The Intimidator™ Wash Zoom 350 IRC fits best in the CHS-50 VIP Gear Bag available from Chauvet.



AC Power This product has an auto-ranging power supply that can work with an input voltage range of 100 to 240 VAC, 50/60 Hz.



To eliminate wear and improve its lifespan, during periods of non-use completely disconnect from power via breaker or by unplugging it.

Power Linking For the maximum number of Intimidator™ Wash Zoom 350 IRC products that you can power link at each voltage, see the User Manual or the sticker on the product.

Fuse Replacement

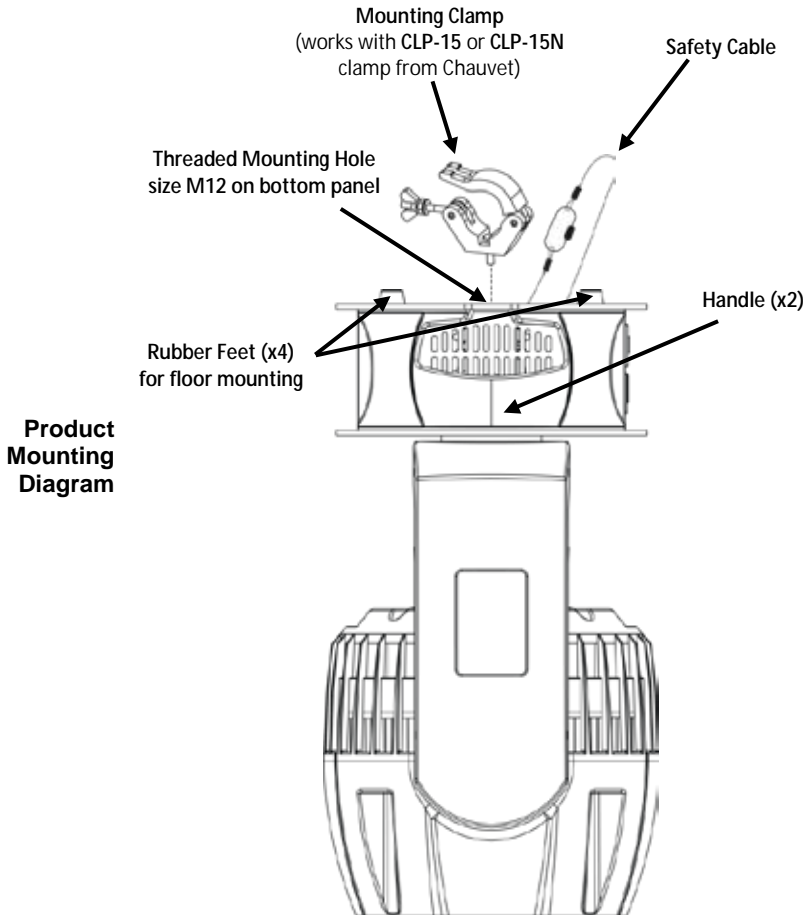
1. Disconnect the product from power.
2. Using a flat-head screwdriver, loosen the fuse holder and pull straight out.
3. Remove the blown fuse from the holder and replace with a fuse of the exact same type and rating.
4. Re-insert the fuse holder and reconnect power.

Infrared Remote Control 6 (IRC-6) The Intimidator™ Wash Zoom 350 IRC is compatible with the Infrared Remote Control 6 (IRC-6) from Chauvet.

The following IRC-6 buttons are used with the Intimidator™ Wash Zoom 350 IRC:

- <BLACKOUT> - turns LED on/off
- <AUTO> - selects auto program mode
- <SOUND> - selects Sound-Active mode
- <STROBE> - strobing (0–20 Hz)
- <SPEED> - auto program speed
- <SENSITIVITY> - selects sound sensitivity
- <%> - dimmer
- <MANUAL> - white LED manual control
- <FADE/SNAP> - color change
- <R> - red LED manual control
- <G> - green LED manual control
- - blue LED manual control
- <+> - shutter/dimmer/sensitivity/pan speed/tilt speed and macro increase
- <-> - shutter/dimmer/sensitivity/pan speed/tilt speed and macro decrease
- <0> to <9> - pan/tilt macro movements

Mounting Before mounting this product, read the [Safety Notes](#).



Product Mounting Diagram



The included Thread Reducing Adaptor changes the built-in threaded mounting hole down to M10 size. The smaller M10 size works with the CLP-10 clamp from Chauvet.



When using only one mounting clamp with this fixture, you must use a clamp with a captive bolt to prevent accidental loosening.

Control Panel Description

Button	Function
<MENU>	Exits from the current menu or function
<UP>	Navigates upwards through the menu list and increases the numeric value when in a function
<DOWN>	Navigates downwards through the menu list and decreases the numeric value when in a function
<ENTER>	Enables the currently displayed menu or sets the currently selected value into the selected function

Menu Options

Main Function	Programming Levels		Description
Address	001–512		Sets the DMX starting address
Run Mode	DMX	14CH	Selects DMX mode
		29CH	
	Auto	Auto01—Auto16	Selects auto program
	Sound		Selects Sound-Active mode
	Slave		Selects Slave mode
	IR		Selects infrared control
Setup	Pan Reverse	OFF	Normal pan operation
		ON	Reverse pan operation
	Tilt Reverse	OFF	Normal tilt operation
		ON	Reverse tilt operation
	Pan Angle	540	Selects the 540° pan angle range
		360	Selects the 360° pan angle range
		180	Selects the 180° pan angle range
	Tilt Angle	270	Selects the 270° tilt angle range
		180	Selects the 180° tilt angle range
		90	Selects the 90° tilt angle range
	P/T Speed	Normal	Selects the panning/tilting speed
		Fast	
		Slow	
	Fans	Auto	Sets fan speed according to temperature
		Full	Fan speed set to full speed
	Display	OFF	Display background light turns off after inactivity
		ON	Display background light stays on
	Screen Rev	OFF	Normal display
		ON	Reverse display
	Dimmer Curve	Square	Selects the dimmer curve mode
I Squa			
SCurve			
Linear			
Dimmer Speed	Fast	Selects the dimmer speed	
	Smooth		
Color Balance	RED	Selects color balance (100 to 255)	
	GREEN		
	BLUE		
	WHITE		
Sensitivity	001—100	Sets sound sensitivity	
Reset		Resets the product	
Factory Set		Loads factory defaults	

Menu Options (cont.)

Main Function	Programming Levels	Description
Sys Info	Ver VX	Displays the software version
	Running Mode XXXXX	Displays the current running mode
	DMX Address XXX	Displays the current DMX address
	Temperature XXX	Displays the LED temperature in Celsius

DMX Linking The Intimidator™ Wash Zoom 350 IRC can work with a DMX controller when linked by DMX serial connections. Instructions for connecting and configuring this product for DMX operation are in the User Manual. If you are not familiar with DMX, download the DMX Primer from www.chauvetlighting.com.

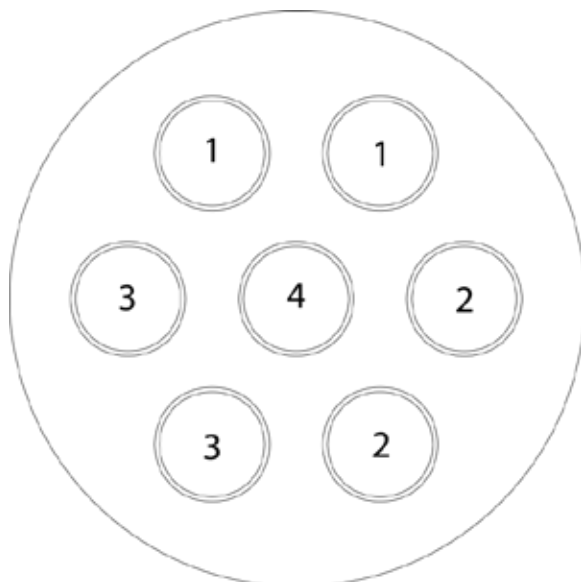
Starting Address To ensure full access to all channels in each DMX mode, the highest recommended DMX address is **484**.

Master/Slave Connection The Intimidator™ Wash Zoom 350 IRC uses the DMX data connection for its Master/Slave mode. Instructions for connecting and configuring this product for Master/Slave operation are in the User Manual.

DMX Values

29CH	Channel	Function	Value	Percent/Setting
	1	Pan	000 ∘ 255	0 to 540°
	2	Fine Pan	000 ∘ 255	Fine control of panning
	3	Tilt	000 ∘ 255	0 to 270°
	4	Fine Tilt	000 ∘ 255	Fine control of tilting
	5	Speed	000 ∘ 255	Pant/Tilt speed (fast to slow)
	6	Red	000 ∘ 255	0 to 100%
	7	Green	000 ∘ 255	0 to 100%
	8	Blue	000 ∘ 255	0 to 100%
	9	White	000 ∘ 255	0 to 100%
	10	Red	000 ∘ 255	0 to 100%
	11	Green	000 ∘ 255	0 to 100%
	12	Blue	000 ∘ 255	0 to 100%
	13	White	000 ∘ 255	0 to 100%
	14	Red	000 ∘ 255	0 to 100%
	15	Green	000 ∘ 255	0 to 100%
	16	Blue	000 ∘ 255	0 to 100%
	17	White	000 ∘ 255	0 to 100%
	18	Red	000 ∘ 255	0 to 100%
	19	Green	000 ∘ 255	0 to 100%
	20	Blue	000 ∘ 255	0 to 100%
	21	White	000 ∘ 255	0 to 100%

Intimidator™ Wash Zoom 350 IRC Zones of Control



DMX Values (cont.)

29CH (cont.)	Channel	Function	Value	Percent/Setting
			000 ó 004	No function
			005 ó 009	Color 1
			010 ó 014	Color 2
			015 ó 019	Color 3
			020 ó 024	Color 4
			025 ó 029	Color 5
			030 ó 034	Color 6
			035 ó 039	Color 7
			040 ó 044	Color 8
			045 ó 049	Color 9
			050 ó 054	Color 10
			055 ó 059	Color 11
			060 ó 064	Color 12
			065 ó 069	Color 13
			070 ó 074	Color 14
			075 ó 079	Color 15
			080 ó 084	Color 16
			085 ó 089	Color 17
			090 ó 094	Color 18
			095 ó 099	Color 19
			100 ó 104	Color 20
			105 ó 109	Color 21
			110 ó 114	Color 22
			115 ó 119	Color 23
			120 ó 124	Color 24
			125 ó 129	Color 25
			130 ó 134	Color 26
			135 ó 139	Color 27
			140 ó 144	Color 28
			145 ó 149	Color 29
			150 ó 154	Color 30
			155 ó 159	Color 31
			160 ó 164	Color 32
			165 ó 169	Color 33
			170 ó 174	Color 34
			175 ó 179	No function
			180 ó 201	Clockwise color change (fast to slow)
			202 ó 207	Stop (color stays in the current color)
			208 ó 229	Counter-clockwise color change (slow to fast)
			230 ó 234	No function
			235 ó 249	Color jump (fast to slow)
			250 ó 255	Sound-Active colors

22 Colors

DMX Values (cont.)

29CH (cont.)	Channel	Function	Value	Percent/Setting
23	Built-in Control	000 ○ 015	No function	
		016 ○ 031	Zone macro 1	
		032 ○ 047	Zone macro 2	
		048 ○ 063	Zone macro 3	
		064 ○ 079	Zone macro 4	
		080 ○ 095	Zone macro 5	
		096 ○ 111	Zone macro 6	
		112 ○ 127	Built-in 7 (zone macros 1—6)	
		128 ○ 143	Built-in 8	
		144 ○ 159	Built-in 9	
		160 ○ 175	Built-in 10	
		176 ○ 191	Built-in 11	
		192 ○ 207	Built-in 12	
		208 ○ 223	Built-in 13	
		224 ○ 239	Built-in 14	
240 ○ 255	Built-in 15 (built-in 8—14)			
24	Built-in Speed	000 ○ 255	Zones and built-in speed (slow to fast)	
25	Dimmer	000 ○ 255	0 to 100%	
26	Shutter	000 ○ 019	Closed	
		020 ○ 024	Open	
		025 ○ 064	Strobe effect (decreasing speed)	
		065 ○ 069	Open	
		070 ○ 084	Fast on, slow off (decreasing speed)	
		085 ○ 089	Open	
		090 ○ 104	Slow on, fast off (decreasing speed)	
		105 ○ 109	Open	
		110 ○ 124	Random shutter (decreasing speed)	
		125 ○ 129	Open	
		130 ○ 144	Random fast on, slow off (decreasing speed)	
		145 ○ 149	Open	
		150 ○ 164	Random slow on, fast off (decreasing speed)	
		165 ○ 169	Open	
		170 ○ 184	Pulse effect 1 (decreasing speed)	
		185 ○ 189	Open	
		190 ○ 204	Pulse effect 2 (decreasing speed)	
		205 ○ 209	Open	
210 ○ 224	Gradually on and off (decreasing speed)			
225 ○ 229	Open			
230 ○ 244	Pulse effect 3 (decreasing speed)			
245 ○ 255	Open			
27	Zoom	000 ○ 255	Zoom in and out	

DMX Values (cont.)

29CH (cont.)	Channel	Function	Value	Percent/Setting
28	28	Control Functions	000 ó 009	No function
			010 ó 014	Blackout while panning/tilting
			015 ó 049	No function
			050 ó 054	Reset pan
			055 ó 059	Reset tilt
			060 ó 064	Reset zoom
			065 ó 069	No function
			070 ó 074	Reset all
			075 ó 079	No function
			080 ó 084	Reverse pan/tilt
			085 ó 089	Reverse pan
			090 ó 094	Reverse tilt
			095 ó 099	Cancel reverse pan
			100 ó 104	Cancel reverse tilt
			105 ó 109	Cancel reverse pan/tilt
			110 ó 114	Pan/Tilt normal speed
			115 ó 119	Pan/Tilt fast speed
			120 ó 124	Pan/Tilt slow speed
			125 ó 129	Fan (full speed)
			130 ó 134	Fan (auto)
135 ó 139	Dimmer, fast			
140 ó 144	Dimmer, smooth			
145 ó 255	No function			
29	29	Movement Macros	000 ó 007	No function
			008 ó 023	Automatic movement macro 1
			024 ó 039	Automatic movement macro 2
			040 ó 055	Automatic movement macro 3
			056 ó 071	Automatic movement macro 4
			072 ó 087	Automatic movement macro 5
			088 ó 103	Automatic movement macro 6
			104 ó 119	Automatic movement macro 7
			120 ó 135	Automatic movement macro 8
			136 ó 151	Sound-Active movement macro 1
			152 ó 167	Sound-Active movement macro 2
			168 ó 183	Sound-Active movement macro 3
			184 ó 199	Sound-Active movement macro 4
			200 ó 215	Sound-Active movement macro 5
			216 ó 231	Sound-Active movement macro 6
			232 ó 247	Sound-Active movement macro 7
			248 ó 255	Sound-Active movement macro 8

DMX Values (cont.)

14CH	Channel	Function	Value	Percent/Setting
	1	Pan	000 ○ 255	0 to 540°
	2	Tilt	000 ○ 255	0 to 270°
	3	Speed	000 ○ 255	Pan/Tilt (fast to slow)
	4	Red	000 ○ 255	0 to 100%
	5	Green	000 ○ 255	0 to 100%
	6	Blue	000 ○ 255	0 to 100%
	7	White	000 ○ 255	0 to 100%
	8	Built-in Control	000 ○ 015	No function
			016 ○ 031	Zone macro 1
			032 ○ 047	Zone macro 2
			048 ○ 063	Zone macro 3
			064 ○ 079	Zone macro 4
			080 ○ 095	Zone macro 5
			096 ○ 111	Zone macro 6
			112 ○ 127	Built-in 7 (zone macros 1—6)
			128 ○ 143	Built-in 8
			144 ○ 159	Built-in 9
			160 ○ 175	Built-in 10
			176 ○ 191	Built-in 11
			192 ○ 207	Built-in 12
			208 ○ 223	Built-in 13
	224 ○ 239	Built-in 14		
	240 ○ 255	Built-in 15 (built-in 8—14)		
	9	Built-in Speed	000 ○ 255	Zones and built-in speed (slow to fast)
	10	Dimmer	000 ○ 255	0 to 100%

DMX Values (cont.)

14CH (cont.)	Channel	Function	Value	Percent/Setting
	11	Shutter	000 ó 019	Closed
			020 ó 024	Open
			025 ó 064	Strobe effect (decreasing speed)
			065 ó 069	Open
			070 ó 084	Fast on, slow off (decreasing speed)
			085 ó 089	Open
			090 ó 104	Slow on, fast off (decreasing speed)
			105 ó 109	Open
			110 ó 124	Random shutter (decreasing speed)
			125 ó 129	Open
			130 ó 144	Random fast on, slow off (decreasing speed)
			145 ó 149	Open
			150 ó 164	Random slow on, fast off (decreasing speed)
			165 ó 169	Open
			170 ó 184	Pulse effect 1 (decreasing speed)
			185 ó 189	Open
			190 ó 204	Pulse effect 2 (decreasing speed)
205 ó 209	Open			
210 ó 224	Gradually on and off (decreasing speed)			
225 ó 229	Open			
230 ó 244	Pulse effect 3 (decreasing speed)			
245 ó 255	Open			
12	Zoom	000 ó 255	Zoom in and out	

DMX Values (cont.)

14CH (cont.)	Channel	Function	Value	Percent/Setting
13	13	Control Functions	000 ○ 009	No function
			010 ○ 014	Pan/Tilt blackout
			015 ○ 049	No function
			050 ○ 054	Reset pan
			055 ○ 059	Reset tilt
			060 ○ 064	Reset zoom
			065 ○ 069	No function
			070 ○ 074	Reset all
			075 ○ 079	No function
			080 ○ 084	Reverse Pan/Tilt
			085 ○ 089	Reverse pan
			090 ○ 094	Reverse tilt
			095 ○ 099	Cancel reverse pan
			100 ○ 104	Cancel reverse tilt
			105 ○ 109	Cancel reverse pan/tilt
			110 ○ 114	Pan/Tilt normal speed
			115 ○ 119	Pan/Tilt fast speed
			120 ○ 124	Pan/Tilt slow speed
			125 ○ 129	Fan (full speed)
			130 ○ 134	Fan (auto)
135 ○ 139	Dimmer, fast			
140 ○ 144	Dimmer, smooth			
145 ○ 255	No function			
14	14	Movement Macros	000 ○ 007	No function
			008 ○ 023	Automatic movement macro 1
			024 ○ 039	Automatic movement macro 2
			040 ○ 055	Automatic movement macro 3
			056 ○ 071	Automatic movement macro 4
			072 ○ 087	Automatic movement macro 5
			088 ○ 103	Automatic movement macro 6
			104 ○ 119	Automatic movement macro 7
			120 ○ 135	Automatic movement macro 8
			136 ○ 151	Sound-Active movement macro 1
			152 ○ 167	Sound-Active movement macro 2
			168 ○ 183	Sound-Active movement macro 3
			184 ○ 199	Sound-Active movement macro 4
			200 ○ 215	Sound-Active movement macro 5
			216 ○ 231	Sound-Active movement macro 6
			232 ○ 247	Sound-Active movement macro 7
			248 ○ 255	Sound-Active movement macro 8

Acerca de Esta Guía

La Guía de Referencia Rápida (GRR) del Intimidator™ Wash Zoom 350 IRC contiene información básica sobre el producto, como montaje, opciones de menú y valores DMX. Descargue el manual de usuario de www.chauvetlighting.com para información más detallada.

Exención de Responsabilidad

La información y especificaciones contenidas en esta GRR están sujetas a cambio sin previo aviso.

Notas de Seguridad

Estas notas de seguridad incluyen información importante sobre el montaje, uso y mantenimiento.



- Este producto no está cocebido para una instalación permanente.
- Conecte este producto SOLO a un circuito con toma de tierra y protegido.
- Desconecte siempre de la alimentación antes de la limpieza o sustitución del fusible.
- NO mire a la fuente de luz cuando el producto esté encendido.
- Asegúrese de que el cable de alimentación no está retorcido ni estropeado.
- Nunca desconecte este producto del cable de alimentación agarrando o tirando del cable.
- Cuando monte este producto en alto, use un cable de seguridad.
- NO permita la presencia de materiales inflamables cerca de la unidad cuando esté en funcionamiento.
- NO toque este producto cuando esté en funcionamiento, pues podría estar caliente.



- La tensión del enchufe al que conecte este producto ha de estar en el rango establecido en el grabado o en el panel posterior de producto.
- ¡Este producto es para uso en interiores solamente! (IP20) Para evitar riesgos de incendio o descarga, no exponga este producto a la lluvia o la humedad.
- Monte siempre este producto en una ubicación con ventilación adecuada, al menos a 20" (50 cm) de superficies adyacentes.
- Asegúrese de que ninguna ranura de ventilación en la carcasa de la unidad queda bloqueada.
- Nunca conecte este producto a un atenuador o reostato.
- Sustituya el fusible con uno del mismo tipo y categoría.
- Use SOLAMENTE las asas o la abrazadera de montaje para mover este producto.
- La máxima temperatura ambiente es de 104 °F (40 °C). No haga funcionar este producto a temperaturas más altas.
- En caso de un problema grave de funcionamiento, deje de usarlo inmediatamente.
- NO abra este producto. No contiene piezas reparables por el usuario.
- Para evitar un desgaste innecesario y alargar su vida útil, desconecte complemente el producto de la alimentación, mediante el interruptor o desenchufándolo, durante los periodos en los que no se use.

Contacto Fuera de EE.UU, Reino Unido, Irlanda, Mexico o Benelux, póngase en contacto con su distribuidor para solicitar asistencia o devolver el producto. Visite www.chauvetlighting.com para información de contacto.

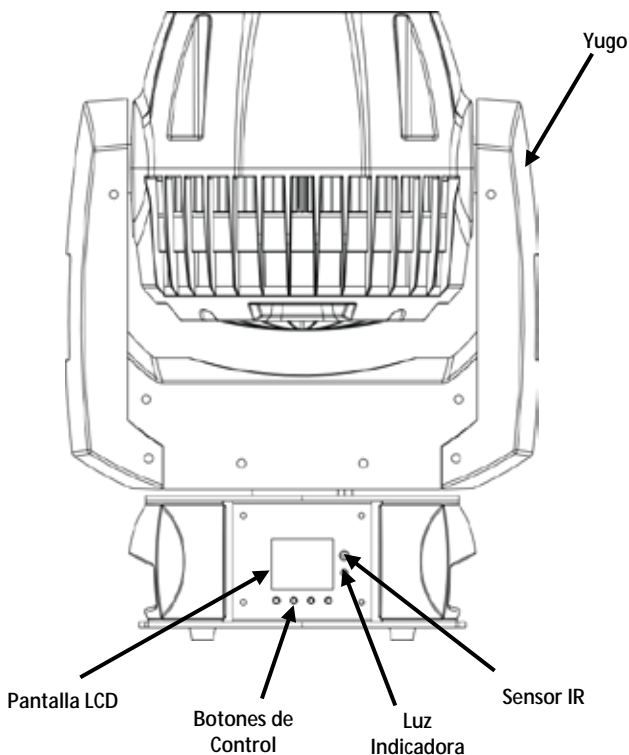
Qué va Incluido

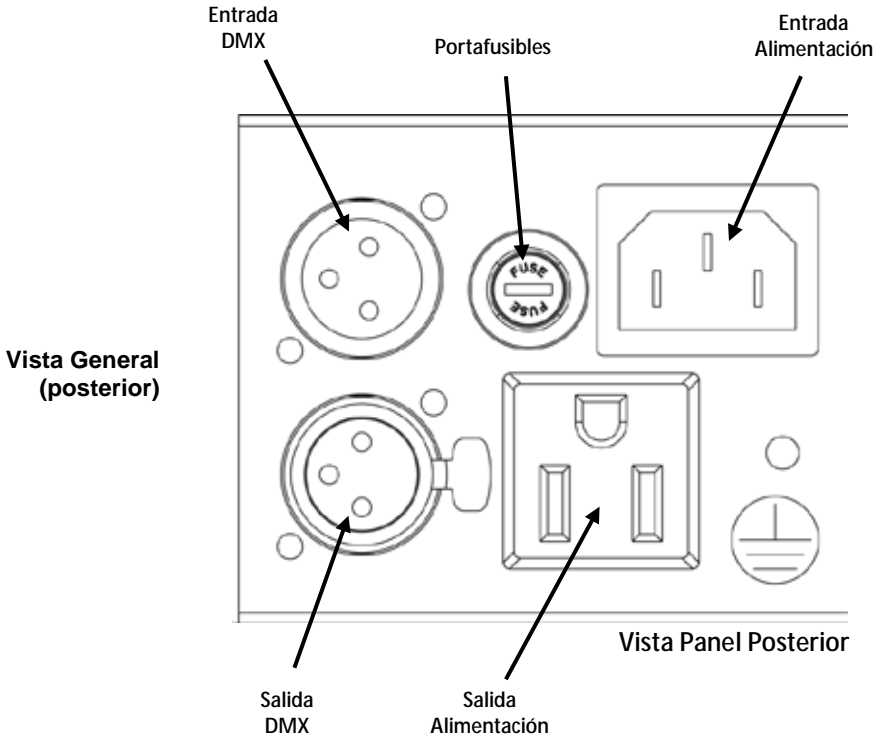
- Intimidator™ Wash Zoom 350 IRC
- Tarjeta de Garantía
- Cable de Alimentación
- Guía de Referencia Rápida
- Adaptador de Reducción de Rosca

Para Empezar Desembale su Intimidator™ Wash Zoom 350 IRC y asegúrese de que ha recibido todas las partes en buen estado. Si la caja o los componentes parecen dañados, notifíquese al transportista inmediatamente, no a Chauvet.

Descripción El Intimidator™ Wash Zoom 350 IRC es una cabeza móvil compacta de baño de luz cargada de características, equipada con LEDs de cuatro colores RGBW de 20W. El zoom con motor le permite aplicaciones a corta o larga distancia. Experimente una navegación sencilla con lectura completa de texto gracias la pantalla LCD de alto contraste a todo color. Genere un espectáculo sincronizado en modo maestro/esclavo con programas automatizados de fácil acceso. El mando a distancia opcional IRC-6 de Chauvet le proporciona un práctico control no-DMX sin cables. El Intimidator™ Wash Zoom 350 IRC cabe perfectamente en la bolsa de material CHS-50 VIP disponible en Chauvet.

Vista General





Corriente Alterna Este producto tiene una fuente de alimentación con detección automática que puede funcionar con un rango de tensión de entrada de 100 a 240 VCA, 50/60 Hz.



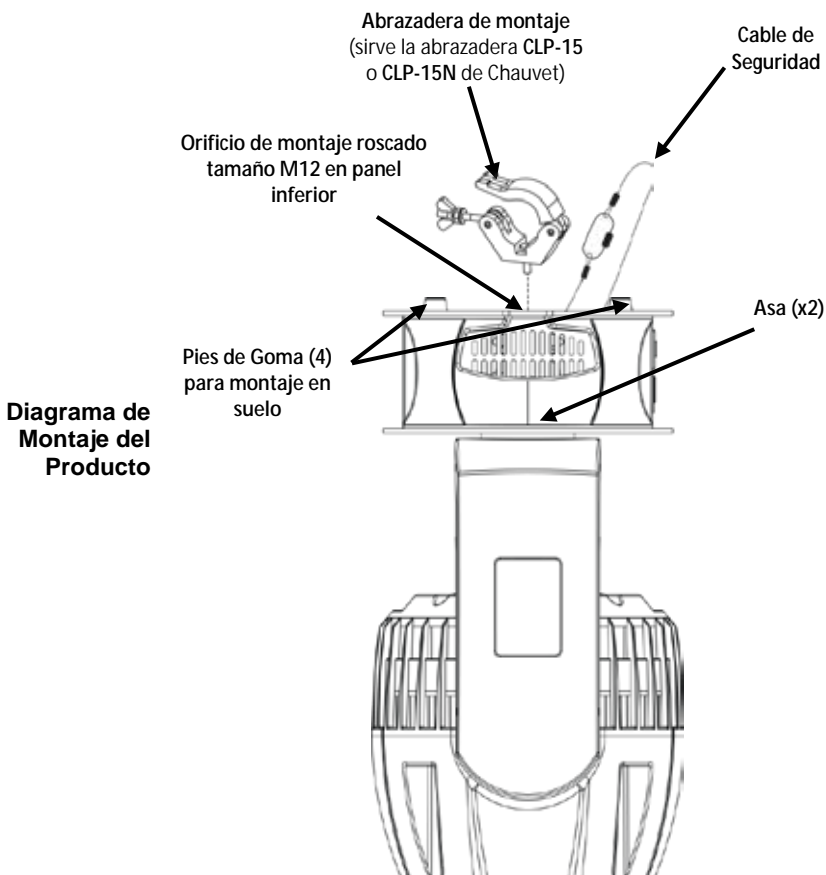
Para evitar un desgaste innecesario y alargar su vida útil, desconecte completamente el producto de la alimentación, mediante el interruptor o desenchufándolo, durante los periodos en los que no se use.

Alimentación en Cadena Para saber el máximo número de productos Intimidator™ Wash Zoom 350 IRC que para cada tensión puede conectar alimentando en cadena, consulte el adhesivo del producto o el Manual de Usuario.

- Sustitución del Fusible**
1. Desconecte el producto de la alimentación.
 2. Con ayuda de un destornillador de cabeza plana, afloje el portafusibles y extráigalo directamente.
 3. Quite el fusible fundido del portafusibles y sustituya el fusible con otro del mismo tipo y categoría.
 4. Vuelva a insertar el portafusibles y conecte de nuevo la alimentación.

Montaje

Antes de montar este producto, lea las [Notas de Seguridad](#).



El adaptador de reducción de rosca incluido cambia el orificio de montaje roscado al tamaño M10. El tamaño más pequeño M10 funciona con la abrazadera CLP-10 de Chauvet.



Cuando use una abrazadera de montaje con este dispositivo, asegúrese de usar una abrazadera con tornillo prisionero para evitar que se afloje accidentalmente.

Descripción del Panel de Control

Botón	Función
<MENU>	Sale del menú o función actual
<UP>	Navega hacia arriba por la lista de menú y aumenta el valor numérico cuando está en una función
<DOWN>	Navega hacia abajo por la lista de menú y disminuye el valor numérico cuando está en una función
<ENTER>	Habilita el menú actualmente en pantalla o configura el valor seleccionado actualmente dentro de la función seleccionada

Opciones de Menú

Nivel Principal	Niveles de Programación		Descripción	
Address	001–512		Configura la dirección inicial DMX	
Run Mode	DMX	14CH	Selecciona el modo de ejecución DMX	
		29CH		
	Auto	Auto01—Auto16		Selecciona el programa automático
		Sound		Selecciona el modo Activo por sonido
	Slave		Selecciona el modo Maestro/Esclavo	
	IR		Selecciona el control por infrarrojos	
Setup	Pan Reverse	OFF	Funcionamiento desplazamiento lateral normal	
		ON	Funcionamiento desplazamiento lateral inverso	
	Tilt Reverse	OFF	Funcionamiento inclinación normal	
		ON	Funcionamiento inclinación inverso	
	Pan Angle	540	Selecciona el rango de desplazamiento lateral de 540°	
		360	Selecciona el rango de desplazamiento lateral de 360°	
		180	Selecciona el rango de desplazamiento lateral de 180°	
	Tilt Angle	270	Selecciona el rango de inclinación de 270°	
		180	Selecciona el rango de inclinación de 180°	
		90	Selecciona el rango de inclinación de 90°	
	P/T Speed	Normal		Selecciona la velocidad de desplazamiento lateral/inclinación
		Fast		
		Slow		
	Fans	Auto		Configura la velocidad de ventilador según la temperatura
		Full		Velocidad del ventilador al máximo
	Display	OFF		La luz de la pantalla se apaga después de la inactividad
		ON		La luz de la pantalla se queda encendida
	Screen Rev	OFF		Pantalla Normal
		ON		Invierte la pantalla
	Dimmer Curve	Square		Selecciona el modo de curva del atenuador
I Squa				
SCurve				
Linear				
Dimmer Speed	Fast		Selecciona el valor del atenuador	
	Smooth			
Color Balance	RED		Selecciona el equilibrio de color (100 a 255)	
	GREEN			
	BLUE			
	WHITE			
Sensitivity	001—100		Configura la sensibilidad al sonido	
Reset			Reinicia el producto.	
Factory Set			Carga los valores por defecto de fábrica	

Opciones de Menú (cont.)

Nivel Principal	Niveles de Programación	Descripción
Sys Info	Ver VX	Muestra en pantalla la versión de software
	Running Mode XXXXX	Muestra el modo de ejecución actual
	DMX Address XXX	Muestra la dirección DMX actual
	Temperature XXX	Muestra la temperatura del LED en Celsius

Enlace DMX El Intimidator™ Wash Zoom 350 IRC puede funcionar con un controlador DMX cuando se enlaza por conexiones serie DMX. Las instrucciones para conectar y configurar este producto para funcionamiento DMX están en el Manual de Usuario. Si no está familiarizado con DMX, descargue el Manual DMX de www.chauvetlighting.com.

Dirección de Inicio Para asegurarse acceso total a todos los canales en cada modo DMX, la dirección DMX más recomendable es **484**.

Conexión Maestro/Esclavo El Intimidator™ Wash Zoom 350 IRC usa la conexión de datos DMX para su modo Maestro/Esclavo. Las instrucciones para conectar y configurar este producto para funcionamiento Maestro/Esclavo están en el Manual de Usuario.

Control Remoto por Infrarrojos (IRC-6)

El Intimidator™ Wash Zoom 350 IRC es compatible con el control remoto por infrarrojos IRC-6 de Chauvet.

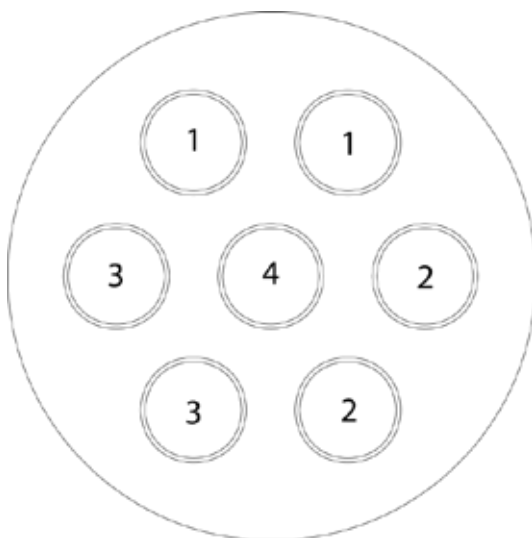
Los siguientes botones del IRC-6 se usan con el Intimidator™ Wash Zoom 350 IRC:

- <BLACKOUT> - apaga/enciende el LED
- <AUTO> - selecciona el modo de programa automático
- <SOUND> - selecciona el modo Activo por sonido
- <STROBE> - estroboscopio (0–20 Hz)
- <SPEED> - velocidad del programa automático
- <SENSITIVITY> - selecciona la sensibilidad al sonido
- <%> - atenuador
- <MANUAL> - control manual del LED blanco
- <FADE/SNAP> - cambio de color
- <R> - control manual del LED rojo
- <G> - control manual del LED verde
- - control manual del LED azul
- <+> - aumento de obturador/atenuador/sensibilidad/velocidad lateral/velocidad inclinación y macro
- <-> - disminución de obturador/atenuador/sensibilidad/velocidad lateral/velocidad inclinación y macro
- <0> a <9> - movimientos de macro lateral/inclinación

Valores DMX

29C	Canal	Función	Valor	Porcentaje/Configuración
	1	Desplazamiento Lateral	000 ó 255	0 a 540°
	2	Desplazamiento Lateral Fino	000 ó 255	Control fino del desplazamiento lateral
	3	Inclinación	000 ó 255	0 a 270°
	4	Inclinación Fina	000 ó 255	Control fino de la inclinación
	5	Velocidad	000 ó 255	Velocidad de desplazamiento lateral/inclinación (rápido a lento)
	6	Rojo	000 ó 255	0 a 100%
	7	Verde	000 ó 255	0 a 100%
	8	Azul	000 ó 255	0 a 100%
	9	Blanco	000 ó 255	0 a 100%
	10	Rojo	000 ó 255	0 a 100%
	11	Verde	000 ó 255	0 a 100%
	12	Azul	000 ó 255	0 a 100%
	13	Blanco	000 ó 255	0 a 100%
	14	Rojo	000 ó 255	0 a 100%
	15	Verde	000 ó 255	0 a 100%
	16	Azul	000 ó 255	0 a 100%
	17	Blanco	000 ó 255	0 a 100%
	18	Rojo	000 ó 255	0 a 100%
	19	Verde	000 ó 255	0 a 100%
	20	Azul	000 ó 255	0 a 100%
	21	Blanco	000 ó 255	0 a 100%

Zonas de Control del Intimidator™ Wash Zoom 350 IRC



Valores DMX (cont.)

29C (cont.)	Canal	Función	Valor	Porcentaje/Configuración	
			000 ó 004	Sin función	
			005 ó 009	Color 1	
			010 ó 014	Color 2	
			015 ó 019	Color 3	
			020 ó 024	Color 4	
			025 ó 029	Color 5	
			030 ó 034	Color 6	
			035 ó 039	Color 7	
			040 ó 044	Color 8	
			045 ó 049	Color 9	
			050 ó 054	Color 10	
			055 ó 059	Color 11	
			060 ó 064	Color 12	
			065 ó 069	Color 13	
			070 ó 074	Color 14	
			075 ó 079	Color 15	
			080 ó 084	Color 16	
			085 ó 089	Color 17	
			090 ó 094	Color 18	
			095 ó 099	Color 19	
			100 ó 104	Color 20	
			105 ó 109	Color 21	
22	Colores		110 ó 114	Color 22	
			115 ó 119	Color 23	
			120 ó 124	Color 24	
			125 ó 129	Color 25	
			130 ó 134	Color 26	
			135 ó 139	Color 27	
			140 ó 144	Color 28	
			145 ó 149	Color 29	
			150 ó 154	Color 30	
			155 ó 159	Color 31	
			160 ó 164	Color 32	
			165 ó 169	Color 33	
			170 ó 174	Color 34	
				175 ó 179	Sin función
				180 ó 201	Cambio de color sentido horario (rápido a lento)
				202 ó 207	Parada (el color permanece en el color actual)
				208 ó 229	Cambio de color sentido anti-horario (lento a rápido)
				230 ó 234	Sin función
				235 ó 249	Salto de color (rápido a lento)
				250 ó 255	Colores activos por sonido

Valores DMX (cont.)

29C (cont.)	Canal	Función	Valor	Porcentaje/Configuración
23	Control Integrado	000 ó 015	Sin función	
		016 ó 031	Macro zona 1	
		032 ó 047	Macro zona 2	
		048 ó 063	Macro zona 3	
		064 ó 079	Macro zona 4	
		080 ó 095	Macro zona 5	
		096 ó 111	Macro zona 6	
		112 ó 127	Integrado 7 (macros de zona 1—6)	
		128 ó 143	Integrado 8	
		144 ó 159	Integrado 9	
		160 ó 175	Integrado 10	
		176 ó 191	Integrado 11	
		192 ó 207	Integrado 12	
		208 ó 223	Integrado 13	
		224 ó 239	Integrado 14	
		240 ó 255	Integrado 15 (integrado 8—14)	
24	Velocidad Integrada	000 ó 255	Velocidad de zonas e integrada (lento a rápido)	
25	Atenuador	000 ó 255	0 a 100%	
26	Obturador (Shutter)	000 ó 019	Cerrado	
		020 ó 024	Abrir	
		025 ó 064	Efecto estroboscopio (velocidad decreciente)	
		065 ó 069	Abrir	
		070 ó 084	Encender rápido, apagar lento (velocidad decreciente)	
		085 ó 089	Abrir	
		090 ó 104	Encender lento, apagar rápido (velocidad decreciente)	
		105 ó 109	Abrir	
		110 ó 124	Obturador aleatorio (velocidad decreciente)	
		125 ó 129	Abrir	
		130 ó 144	Aleatorio: encender rápido, apagar lento (velocidad decreciente)	
		145 ó 149	Abrir	
		150 ó 164	Aleatorio: encender lento, apagar rápido (velocidad decreciente)	
		165 ó 169	Abrir	
		170 ó 184	Efecto pulso 1 (velocidad decreciente)	
		185 ó 189	Abrir	
		190 ó 204	Efecto pulso 2 (velocidad decreciente)	
		205 ó 209	Abrir	
		210 ó 224	Gradualmente encender y apagar (velocidad decreciente)	
		225 ó 229	Abrir	
230 ó 244	Efecto pulso 3 (velocidad decreciente)			
245 ó 255	Abrir			

Valores DMX (cont.)

29C (cont.)	Canal	Función	Valor	Porcentaje/Configuración
	27	Zoom	000 ó 255	Aumentar y disminuir Zoom
	28	Funciones de Control	000 ó 009	Sin función
			010 ó 014	Blackout durante el desplazamiento/inclinación
			015 ó 049	Sin función
			050 ó 054	Reiniciar desplazamiento lateral
			055 ó 059	Reiniciar inclinación
			060 ó 064	Reiniciar Zoom
			065 ó 069	Sin función
			070 ó 074	Reiniciar todo
			075 ó 079	Sin función
			080 ó 084	Invertir desplazamiento lateral/inclinación
			085 ó 089	Invertir desplazamiento lateral
			090 ó 094	Invertir inclinación
			095 ó 099	Cancelar invertir desplazamiento lateral
			100 ó 104	Cancelar invertir inclinación
			105 ó 109	Cancelar invertir movimiento lateral/inclinación
			110 ó 114	Desplazamiento lateral/inclinación velocidad normal
			115 ó 119	Desplazamiento lateral/inclinación velocidad normal
			120 ó 124	Desplazamiento lateral/inclinación velocidad rápida
			125 ó 129	Ventilador (velocidad máxima)
			130 ó 134	Ventilador (automático)
	135 ó 139	Atenuador, rápido		
	140 ó 144	Atenuador, suave		
	145 ó 255	Sin función		
	29	Macros de Movimiento	000 ó 007	Sin función
			008 ó 023	Macro de movimiento automático 1
			024 ó 039	Macro de movimiento automático 2
			040 ó 055	Macro de movimiento automático 3
			056 ó 071	Macro de movimiento automático 4
			072 ó 087	Macro de movimiento automático 5
			088 ó 103	Macro de movimiento automático 6
			104 ó 119	Macro de movimiento automático 7
			120 ó 135	Macro de movimiento automático 8
			136 ó 151	Macro de movimiento Activo por Sonido 1
			152 ó 167	Macro de movimiento Activo por Sonido 2
			168 ó 183	Macro de movimiento Activo por Sonido 3
			184 ó 199	Macro de movimiento Activo por Sonido 4
			200 ó 215	Macro de movimiento Activo por Sonido 5
			216 ó 231	Macro de movimiento Activo por Sonido 6
			232 ó 247	Macro de movimiento Activo por Sonido 7
			248 ó 255	Macro de movimiento Activo por Sonido 8

Valores DMX (cont.)

14C	Canal	Función	Valor	Porcentaje/Configuración
	1	Desplazamiento Lateral	000 ó 255	0 a 540°
	2	Inclinación	000 ó 255	0 a 270°
	3	Velocidad	000 ó 255	Velocidad de desplazamiento lateral/inclinación (rápido a lento)
	4	Rojo	000 ó 255	0 a 100%
	5	Verde	000 ó 255	0 a 100%
	6	Azul	000 ó 255	0 a 100%
	7	Blanco	000 ó 255	0 a 100%
	8	Control Integrado	000 ó 015	Sin función
			016 ó 031	Macro zona 1
			032 ó 047	Macro zona 2
			048 ó 063	Macro zona 3
			064 ó 079	Macro zona 4
			080 ó 095	Macro zona 5
			096 ó 111	Macro zona 6
			112 ó 127	Integrado 7 (macros de zona 1—6)
			128 ó 143	Integrado 8
			144 ó 159	Integrado 9
			160 ó 175	Integrado 10
			176 ó 191	Integrado 11
			192 ó 207	Integrado 12
			208 ó 223	Integrado 13
	224 ó 239	Integrado 14		
	240 ó 255	Integrado 15 (integrado 8—14)		
	9	Velocidad Integrada	000 ó 255	Velocidad de zonas e integrada (lento a rápido)
	10	Atenuador	000 ó 255	0 a 100%

Valores DMX (cont.)

14C (cont.)	Canal	Función	Valor	Porcentaje/Configuración
11		Obturador (Shutter)	000 ó 019	Cerrado
			020 ó 024	Abrir
			025 ó 064	Efecto estroboscopio (velocidad decreciente)
			065 ó 069	Abrir
			070 ó 084	Encender rápido, apagar lento (velocidad decreciente)
			085 ó 089	Abrir
			090 ó 104	Encender lento, apagar rápido (velocidad decreciente)
			105 ó 109	Abrir
			110 ó 124	Obturador aleatorio (velocidad decreciente)
			125 ó 129	Abrir
			130 ó 144	Aleatorio: encender rápido, apagar lento (velocidad decreciente)
			145 ó 149	Abrir
			150 ó 164	Aleatorio: encender lento, apagar rápido (velocidad decreciente)
			165 ó 169	Abrir
			170 ó 184	Efecto pulso 1 (velocidad decreciente)
			185 ó 189	Abrir
			190 ó 204	Efecto pulso 2 (velocidad decreciente)
205 ó 209	Abrir			
210 ó 224	Gradualmente encender y apagar (velocidad decreciente)			
225 ó 229	Abrir			
230 ó 244	Efecto pulso 3 (velocidad decreciente)			
245 ó 255	Abrir			
12	Zoom		000 ó 255	Aumentar y disminuir Zoom

Valores DMX (cont.)

14C (cont.)	Canal	Función	Valor	Porcentaje/Configuración
13		Funciones de Control	000 ó 009	Sin función
			010 ó 014	Blackout durante el desplazamiento/inclinación
			015 ó 049	Sin función
			050 ó 054	Reiniciar desplazamiento lateral
			055 ó 059	Reiniciar inclinación
			060 ó 064	Reiniciar Zoom
			065 ó 069	Sin función
			070 ó 074	Reiniciar todo
			075 ó 079	Sin función
			080 ó 084	Invertir desplazamiento lateral/inclinación
			085 ó 089	Invertir desplazamiento lateral
			090 ó 094	Invertir inclinación
			095 ó 099	Cancelar invertir desplazamiento lateral
			100 ó 104	Cancelar invertir inclinación
			105 ó 109	Cancelar invertir movimiento lateral/inclinación
			110 ó 114	Desplazamiento lateral/inclinación velocidad normal
			115 ó 119	Desplazamiento lateral/inclinación velocidad normal
			120 ó 124	Desplazamiento lateral/inclinación velocidad rápida
			125 ó 129	Ventilador (velocidad máxima)
			130 ó 134	Ventilador (automático)
135 ó 139	Atenuador, rápido			
140 ó 144	Atenuador, suave			
145 ó 255	Sin función			
14		Macros de Movimiento	000 ó 007	Sin función
			008 ó 023	Macro de movimiento automático 1
			024 ó 039	Macro de movimiento automático 2
			040 ó 055	Macro de movimiento automático 3
			056 ó 071	Macro de movimiento automático 4
			072 ó 087	Macro de movimiento automático 5
			088 ó 103	Macro de movimiento automático 6
			104 ó 119	Macro de movimiento automático 7
			120 ó 135	Macro de movimiento automático 8
			136 ó 151	Macro de movimiento Activo por Sonido 1
			152 ó 167	Macro de movimiento Activo por Sonido 2
			168 ó 183	Macro de movimiento Activo por Sonido 3
			184 ó 199	Macro de movimiento Activo por Sonido 4
			200 ó 215	Macro de movimiento Activo por Sonido 5
			216 ó 231	Macro de movimiento Activo por Sonido 6
			232 ó 247	Macro de movimiento Activo por Sonido 7
			248 ó 255	Macro de movimiento Activo por Sonido 8

À Propos de ce Manuel

Le Manuel de Référence de l'Intimidator™ Wash Zoom 350 IRC (MR) reprend des informations de base sur cet appareil notamment en matière de montage, d'options de menu et de valeurs DMX. Téléchargez le manuel d'utilisation sur www.chauvetlighting.com pour de plus amples informations.

Clause de Non-Responsabilité

Les informations et caractéristiques contenues dans ce manuel sont sujettes à changement sans préavis.

Consignes de Sécurité

Ces consignes concernant la sécurité reprennent d'importantes informations en matière d'installation, d'utilisation et de maintenance.



- Cet appareil n'est pas conçu pour être utilisé dans une installation permanente.
- Connectez UNIQUEMENT ce produit à un circuit protégé et relié à la terre.
- Débranchez toujours cet appareil avant de procéder à son nettoyage ou au remplacement de son fusible.
- Ne regardez PAS la source lumineuse lorsque le produit fonctionne.
- Assurez-vous que le cordon d'alimentation n'est ni tordu ni endommagé.
- Ne débranchez jamais cet appareil en tirant sur le cordon.
- Utilisez TOUJOURS un câble de sécurité lorsque vous montez cet appareil en hauteur.
- Veillez à ce qu'AUCUNE source inflammable ne se trouve à proximité de l'unité lors de son fonctionnement.
- Ne touchez PAS cet appareil lors de son fonctionnement car il pourrait s'avérer brûlant.



- La tension de la prise à laquelle vous connectez ce cet appareil doit être comprise dans la plage de tensions reprise sur l'étiquette de l'appareil ou à l'arrière de ce dernier.
- Cet appareil doit être utilisé en intérieur uniquement. (IP20). Afin d'éviter tout risque d'incendie ou de décharge électrique, veillez à n'exposer cet appareil ni à la pluie ni à l'humidité.
- Montez toujours cet appareil dans un endroit bien ventilé, à au moins, 20 pouces (50 cm) des surfaces adjacentes.
- Assurez-vous qu'aucune fente de ventilation sur le boîtier ne soit obstruée.
- Ne connectez JAMAIS cet appareil ni à un gradateur ni à un rhéostat.
- Remplacez le fusible avec un de même type et même ampérage.
- Transportez cet appareil avec les poignées ou pince de fixation attaché.
- La température ambiante maximale supportée par ce produit est de 104 °F (40 °C). Ne le faites pas fonctionner à des températures plus élevées.
- En cas de sérieux problèmes de fonctionnement, arrêtez le système immédiatement.
- N'ouvrez PAS ce produit. Il ne contient aucun composant susceptible d'être réparé par l'utilisateur.
- Durant les périodes de non-utilisation, pour éviter toute usure inutile et pour prolonger la durée de vie, déconnectez-entièrement l'appareil en le débranchant de l'alimentation électrique ou en coupant le disjoncteur.

Contact En dehors des États-Unis, du Royaume-Uni, de l'Irlande, du Mexique et de Benelux, contactez votre fournisseur si vous avez besoin d'assistance ou de retourner votre produit. Consultez le site www.chauvetlighting.com pour trouver nos coordonnées.

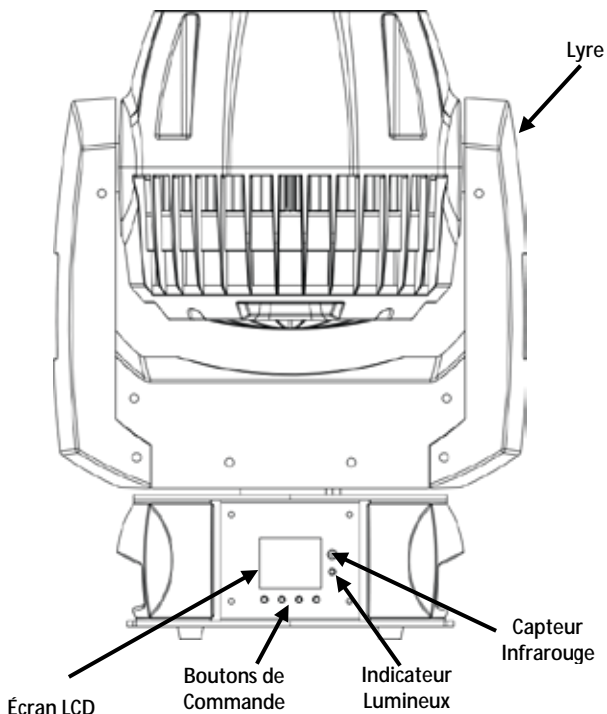
Ce Qui est Inclus

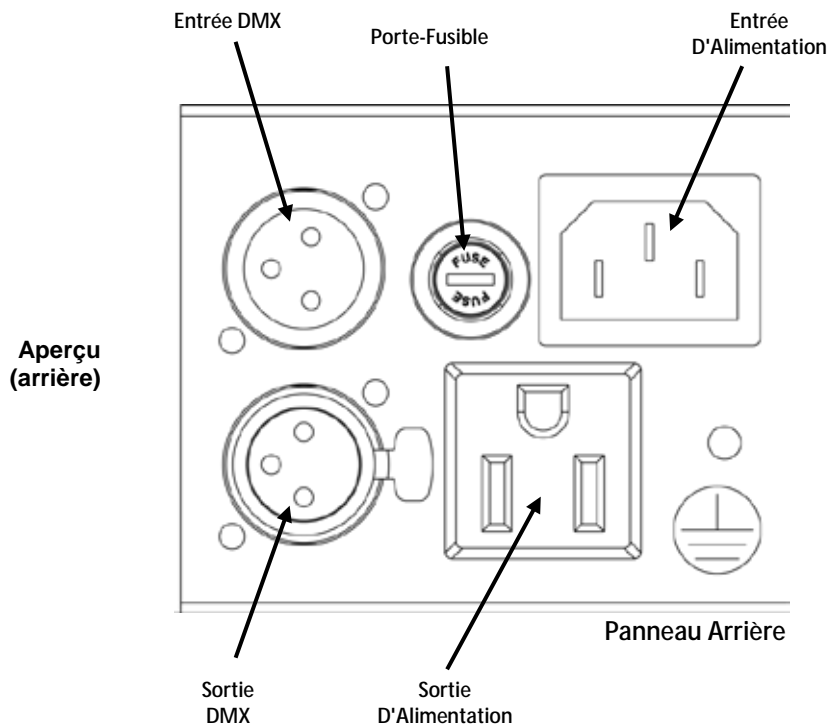
- Intimidator™ Wash Zoom 350 IRC
- Une Fiche de Garantie
- Un Cordon d'Alimentation
- Un Manuel de Référence
- Adaptateur de Réduction de Filetage

Débuter Déballer votre Intimidator™ Wash Zoom 350 IRC et assurez-vous d'avoir tout reçu et en bon état. Si l'emballage ou le contenu semblait être endommagé, indiquez-le immédiatement au transporteur et non à Chauvet.

Description L'Intimidator™ Wash Zoom 350 IRC est un projecteur wash à lyre asservie, compact et regorgeant de fonctionnalités, doté de LED RGBb quadricolores de 20 W. Le zoom motorisé permet de l'utiliser pour des projections proches ou lointaines. Sa navigation est simple et les instructions s'affichent clairement sur son écran LCD couleur au grand contraste. Ses programmes automatisés intégrés, faciles d'accès, vous permettent de réaliser un jeu de lumières synchronisées en mode maître/esclave. Il se commande facilement sans fil, ne requiert pas le DMX et s'opère via une télécommande à infrarouge IRC-6 de Chauvet en option. L'Intimidator™ Wash Zoom 350 IRC se transporte facilement dans le sac CHS-50 VIP, disponible auprès de Chauvet.

Aperçu





Alimentation CA Cet appareil est doté d'une alimentation universelle prenant en charge toute tension d'entrée comprise entre 100 et 240 VCA, 50/60 Hz.



Durant les périodes de non-utilisation, pour éviter tout usure inutile et pour prolonger la durée de vie, déconnectez-entièrement l'appareil en le débranchant de l'alimentation électrique ou en coupant le disjoncteur.

Connexion Électrique Pour connaître le nombre maximal d'Intimidator™ Wash Zoom 350 IRC pouvant être raccordé ensemble selon la tension, veuillez vous référer à l'étiquette apposée sur l'unité ou le manuel d'utilisation.

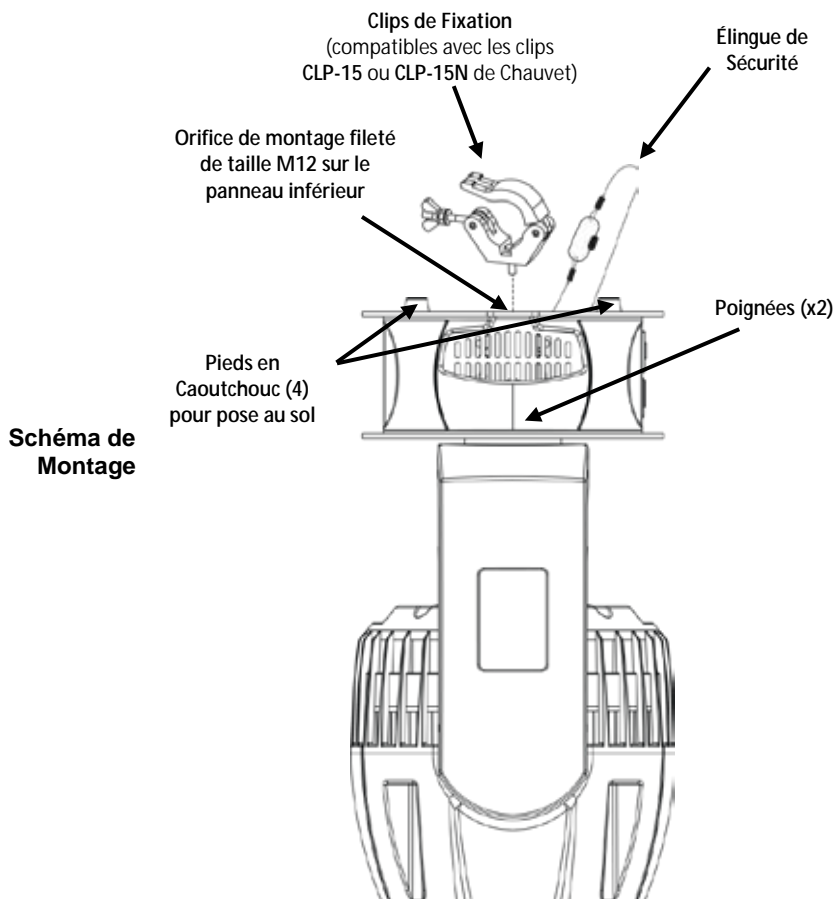
- Remplacement du Fusible**
1. Débranchez l'appareil de l'alimentation.
 2. À l'aide d'un tournevis à tête plate, délogez le porte-fusible de son emplacement et sortez-le.
 3. Retirez le fusible obsolète du porte-fusible et remplacez-le par un fusible équivalent.
 4. Insérez à nouveau le porte-fusible puis rebranchez l'appareil.

Télécommande à Infrarouge (IRC-6) L'Intimidator™ Wash Zoom 350 IRC est compatible avec la télécommande à infrarouge IRC-6 de Chauvet.

Les boutons suivants sur la télécommande à infrarouge IRC-6 sont utilisés avec l'Intimidator™ Wash Zoom 350 IRC :

- <BLACKOUT> : marche ou arrêt des LED
- <AUTO> : sélection du mode programme automatique
- <SOUND> : sélection du mode musical
- <STROBE> : stroboscope (0 à 20 Hz)
- <SPEED> : vitesse du programme automatique
- <SENSITIVITY> : sélection de la sensibilité au son
- <%> : gradateur
- <MANUAL> : commande manuelle de la LED blanche
- <FADE/SNAP> : changement de la couleur
- <R> : commande manuelle de la LED rouge
- <G> : commande manuelle de la LED verte
- : commande manuelle de la LED bleue
- <+> : augmentation de la vitesse de pan, de la sensibilité, de la gradation, de l'obturation, de la vitesse de tilt et des macros
- <-> : réduction de la vitesse de pan, de la sensibilité, de la gradation, de l'obturation, de la vitesse de tilt et des macros
- <0> à <9> : mouvements de pan/tilt/macros

Installation Avant de monter cet appareil, lisez et assimilez les [consignes de sécurité](#).



L'adaptateur de réduction de filetage, inclus, permet de changer la taille de l'orifice de montage fileté pour un de taille M10. Cette taille, M10, est compatible avec le clip CLP-10 de Chauvet.



Lorsqu'une seule fixation est utilisée avec cette unité, veillez à ce qu'elle le soit avec un boulon captif afin d'éviter tout dévissage accidentel.

Description du Tableau de Commandes

Bouton	Fonction
<MENU>	Permet la sortie du menu ou de la fonction en cours
<UP>	Permet de parcourir les listes de menu vers le haut, dans une fonction permet d'augmenter les valeurs numériques
<DOWN>	Permet de parcourir les listes de menu vers le bas, dans une fonction permet de diminuer les valeurs numériques
<ENTER>	Permet l'affichage du menu en cours ou permet de configurer la valeur en cours dans la fonction sélectionnée

Options du Menu

Niveau Principal	Niveaux de Programmation		Description
Address	001—512		Configuration de l'adresse DMX de départ
Run Mode	DMX	14CH	Sélection du mode DMX
		29CH	
	Auto	Auto01—Auto16	Sélection du programme automatique
	Sound		Sélection du mode musical
	Slave		Sélection du mode esclave
	IR		Sélection de la commande infrarouge
Setup	Pan Reverse	OFF	Fonctionnement normal du pan
		ON	Fonctionnement inversé du pan
	Tilt Reverse	OFF	Fonctionnement normal du tilt
		ON	Fonctionnement inversé du tilt
	Pan Angle	540	Sélection d'une plage d'angle de pan à 540°
		360	Sélection d'une plage d'angle de pan à 360°
		180	Sélection d'une plage d'angle de pan à 180°
	Tilt Angle	270	Sélection d'une plage d'angle de tilt à 270°
		180	Sélection d'une plage d'angle de tilt à 180°
		90	Sélection d'une plage d'angle de tilt à 90°
	P/T Speed	Normal	Sélection de la vitesse de pan/tilt
		Fast	
		Slow	
	Fans	Auto	Configuration de la vitesse du ventilateur selon la température
		Full	Vitesse du ventilateur maximale
	Display	OFF	Le rétro-éclairage de l'écran s'éteint après une période d'inactivité
		ON	Le rétro-éclairage de l'écran reste allumé
	Screen Rev	OFF	Affichage normal
		ON	Affichage inversé
	Dimmer Curve	Square	Sélection du mode de courbe de gradation
		I Squa	
		SCurve	
		Linear	
	Dimmer Speed	Fast	Sélection de la vitesse du gradateur
		Smooth	
	Color Balance	RED	Sélection de la balance des couleurs (100 à 255)
		GREEN	
BLUE			
WHITE			
Sensitivity	001—100	Configure la sensibilité au son	
Reset		Réinitialisation de l'appareil	
Factory Set		Téléchargement des paramètres d'usine par défaut	

Options du Menu (suite)

Niveau Principal	Niveaux de Programmation	Description
Sys Info	Ver VX	Affichage de la version logicielle
	Running Mode XXXXX	Affichage du mode actuel de fonctionnement
	DMX Address XXX	Affichage de l'adresse DMX actuelle
	Temperature XXX	Affichage de la température des LED en Celsius

Raccordement DMX L'Intimidator™ Wash Zoom 350 IRC peut fonctionner avec un jeu d'orgues DMX quand raccordé par des connexions DMX en série. Vous trouverez les instructions de connexion et configuration de cet appareil pour un bon fonctionnement en DMX dans le manuel d'utilisation. Si vous n'êtes pas familier avec le DMX, vous pouvez télécharger l'introduction au DMX sur www.chauvetlighting.com.

Adresse de Départ Afin d'assurer un accès à tous les canaux dans chaque mode DMX, l'adresse DMX la plus élevée recommandée est **484**.

Connexion Maître/Esclave L'Intimidator™ Wash Zoom 350 IRC utilise une connexion de données DMX pour son mode maître/esclave. Vous trouverez les instructions de connexion et configuration de cet appareil pour un bon fonctionnement en maître/esclave dans le manuel d'utilisation.

Valeurs DMX

29 Canaux

Canal	Fonction	Valeur	Pourcentage/Configuration
1	Pan	000 ó 255	0 à 540°
2	Pan précis	000 ó 255	Réglage précis du pan
3	Tilt	000 ó 255	0 à 270°
4	Tilt précis	000 ó 255	Réglage précis du tilt
5	Vitesse	000 ó 255	Vitesse de pan/tilt (rapide à lent)
6	Rouge	000 ó 255	0 à 100%
7	Vert	000 ó 255	0 à 100%
8	Bleu	000 ó 255	0 à 100%
9	Blanc	000 ó 255	0 à 100%
10	Rouge	000 ó 255	0 à 100%
11	Vert	000 ó 255	0 à 100%
12	Bleu	000 ó 255	0 à 100%
13	Blanc	000 ó 255	0 à 100%
14	Rouge	000 ó 255	0 à 100%
15	Vert	000 ó 255	0 à 100%
16	Bleu	000 ó 255	0 à 100%
17	Blanc	000 ó 255	0 à 100%
18	Rouge	000 ó 255	0 à 100%
19	Vert	000 ó 255	0 à 100%
20	Bleu	000 ó 255	0 à 100%
21	Blanc	000 ó 255	0 à 100%

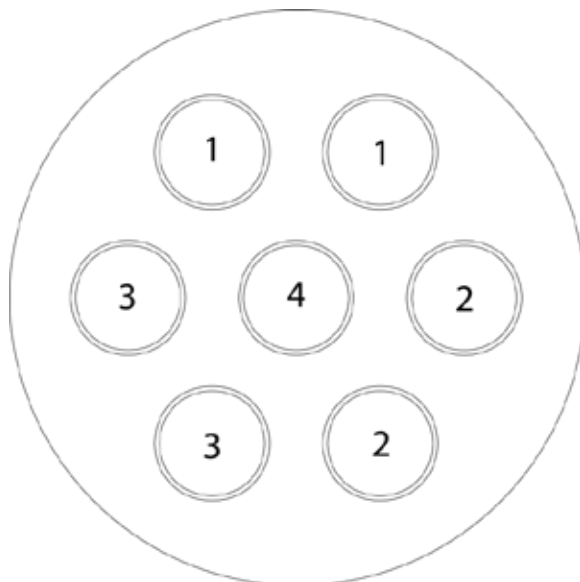
Zone 1

Zone 2

Zone 3

Zone 4

Zones de Commande de l'Intimidator™ Wash Zoom 350 IRC



Valeurs DMX (suite)

29 Canaux (suite)	Canal	Fonction	Valeur	Pourcentage/Configuration
			000 ó 004	Pas de fonction
			005 ó 009	Couleur 1
			010 ó 014	Couleur 2
			015 ó 019	Couleur 3
			020 ó 024	Couleur 4
			025 ó 029	Couleur 5
			030 ó 034	Couleur 6
			035 ó 039	Couleur 7
			040 ó 044	Couleur 8
			045 ó 049	Couleur 9
			050 ó 054	Couleur 10
			055 ó 059	Couleur 11
			060 ó 064	Couleur 12
			065 ó 069	Couleur 13
			070 ó 074	Couleur 14
			075 ó 079	Couleur 15
			080 ó 084	Couleur 16
			085 ó 089	Couleur 17
			090 ó 094	Couleur 18
			095 ó 099	Couleur 19
			100 ó 104	Couleur 20
			105 ó 109	Couleur 21
22	Couleurs		110 ó 114	Couleur 22
			115 ó 119	Couleur 23
			120 ó 124	Couleur 24
			125 ó 129	Couleur 25
			130 ó 134	Couleur 26
			135 ó 139	Couleur 27
			140 ó 144	Couleur 28
			145 ó 149	Couleur 29
			150 ó 154	Couleur 30
			155 ó 159	Couleur 31
			160 ó 164	Couleur 32
			165 ó 169	Couleur 33
			170 ó 174	Couleur 34
			175 ó 179	Pas de fonction
			180 ó 201	Changement de couleurs dans le sens des aiguilles d'une montre (rapide à lent)
			202 ó 207	Stop (reste la couleur dans la couleur courante)
			208 ó 229	Changement de couleurs dans le sens inverse des aiguilles d'une montre (lent à rapide)
			230 ó 234	Pas de fonction
			235 ó 249	Saut de couleur (rapide à lent)
			250 ó 255	Couleurs en mode musical

Valeurs DMX (suite)

29 Canaux (suite)	Canal	Fonction	Valeur	Pourcentage/Configuration
23	Commande Intégrée	000 ó 015	Pas de fonction	
		016 ó 031	Macro de zone 1	
		032 ó 047	Macro de zone 2	
		048 ó 063	Macro de zone 3	
		064 ó 079	Macro de zone 4	
		080 ó 095	Macro de zone 5	
		096 ó 111	Macro de zone 6	
		112 ó 127	7 intégrée (macros de zone 1 à 6)	
		128 ó 143	8 intégrée	
		144 ó 159	9 intégrée	
		160 ó 175	10 intégrée	
		176 ó 191	11 intégrée	
		192 ó 207	12 intégrée	
		208 ó 223	13 intégrée	
		224 ó 239	14 intégrée	
240 ó 255	15 intégrée (intégrées de 8 à 14)			
24	Vitesse Intégrée	000 ó 255	Zones et vitesse intégrée (lent à rapide)	
25	Gradateur	000 ó 255	0 à 100%	
26	Obturbateur	000 ó 019	Fermé	
		020 ó 024	Ouvert	
		025 ó 064	Effet stroboscopique (vitesse décroissante)	
		065 ó 069	Ouvert	
		070 ó 084	Rapide activé, lent désactivé (vitesse décroissante)	
		085 ó 089	Ouvert	
		090 ó 104	Lent activé, rapide désactivé (vitesse décroissante)	
		105 ó 109	Ouvert	
		110 ó 124	Obturbateur aléatoire (vitesse décroissante)	
		125 ó 129	Ouvert	
		130 ó 144	Aléatoire rapide activé, lent désactivé (vitesse décroissante)	
		145 ó 149	Ouvert	
		150 ó 164	Aléatoire lent activé, rapide désactivé (vitesse décroissante)	
		165 ó 169	Ouvert	
		170 ó 184	Effet pulsation 1 (vitesse décroissante)	
		185 ó 189	Ouvert	
		190 ó 204	Effet pulsation 2 (vitesse décroissante)	
		205 ó 209	Ouvert	
		210 ó 224	Progressivement activé et désactivé (vitesse décroissante)	
		225 ó 229	Ouvert	
230 ó 244	Effet pulsation 3 (vitesse décroissante)			
245 ó 255	Ouvert			

Valeurs DMX (suite)

29 Canaux (suite)	Canal	Fonction	Valeur	Pourcentage/Configuration
	27	Zoom	000 ○ 255	Zoom avant et arrière
	28	Fonctions de Commande	000 ○ 009	Pas de fonction
			010 ○ 014	Noir général quand pan/tilt
			015 ○ 049	Pas de fonction
			050 ○ 054	Réinitialiser le pan
			055 ○ 059	Réinitialiser le tilt
			060 ○ 064	Réinitialiser zoom
			065 ○ 069	Pas de fonction
			070 ○ 074	Tout réinitialiser
			075 ○ 079	Pas de fonction
			080 ○ 084	Pan/Tilt inversé
			085 ○ 089	Pan inversé
			090 ○ 094	Tilt inversé
			095 ○ 099	Annuler l'inversion de pan
			100 ○ 104	Annuler l'inversion de tilt
			105 ○ 109	Annuler l'inversion de tilt
			110 ○ 114	Vitesse normale de pan/tilt
			115 ○ 119	Mode rapide pan/tilt
			120 ○ 124	Vitesse lente de pan/tilt
			125 ○ 129	Ventilateur (vitesse rapide)
			130 ○ 134	Ventilateur (auto)
	135 ○ 139	Gradation (rapide)		
	140 ○ 144	Gradation, fluide		
	145 ○ 255	Pas de fonction		
	29	Macros de Mouvements	000 ○ 007	Pas de fonction
			008 ○ 023	Macro de mouvement automatique 1
			024 ○ 039	Macro de mouvement automatique 2
			040 ○ 055	Macro de mouvement automatique 3
			056 ○ 071	Macro de mouvement automatique 4
			072 ○ 087	Macro de mouvement automatique 5
			088 ○ 103	Macro de mouvement automatique 6
			104 ○ 119	Macro de mouvement automatique 7
			120 ○ 135	Macro de mouvement automatique 8
			136 ○ 151	Macro de mouvement à déclenchement au son 1
			152 ○ 167	Macro de mouvement à déclenchement au son 2
			168 ○ 183	Macro de mouvement à déclenchement au son 3
			184 ○ 199	Macro de mouvement à déclenchement au son 4
			200 ○ 215	Macro de mouvement à déclenchement au son 5
			216 ○ 231	Macro de mouvement à déclenchement au son 6
			232 ○ 247	Macro de mouvement à déclenchement au son 7
	248 ○ 255	Macro de mouvement à déclenchement au son 8		

Valeurs DMX (suite)

14 Canaux

Canal	Fonction	Valeur	Pourcentage/Configuration
1	Pan	000 ó 255	0 à 540°
2	Tilt	000 ó 255	0 à 270°
3	Vitesse	000 ó 255	Vitesse de pan/tilt (rapide à lent)
4	Rouge	000 ó 255	0 à 100%
5	Vert	000 ó 255	0 à 100%
6	Bleu	000 ó 255	0 à 100%
7	Blanc	000 ó 255	0 à 100%
8	Commande Intégrée	000 ó 015	Pas de fonction
		016 ó 031	Macro de zone 1
		032 ó 047	Macro de zone 2
		048 ó 063	Macro de zone 3
		064 ó 079	Macro de zone 4
		080 ó 095	Macro de zone 5
		096 ó 111	Macro de zone 6
		112 ó 127	7 intégrée (macros de zone 1 à 6)
		128 ó 143	8 intégrée
		144 ó 159	9 intégrée
		160 ó 175	10 intégrée
		176 ó 191	11 intégrée
		192 ó 207	12 intégrée
208 ó 223	13 intégrée		
224 ó 239	14 intégrée		
240 ó 255	15 intégrée (intégrées de 8 à 14)		
9	Vitesse Intégrée	000 ó 255	Zones et vitesse intégrée (lent à rapide)
10	Gradateur	000 ó 255	0 à 100%

Valeurs DMX (suite)

14 Canaux (suite)	Canal	Fonction	Valeur	Pourcentage/Configuration
11	11	Obturbateur	000 ◊ 019	Fermé
			020 ◊ 024	Ouvert
			025 ◊ 064	Effet stroboscopique (vitesse décroissante)
			065 ◊ 069	Ouvert
			070 ◊ 084	Rapide activé, lent désactivé (vitesse décroissante)
			085 ◊ 089	Ouvert
			090 ◊ 104	Lent activé, rapide désactivé (vitesse décroissante)
			105 ◊ 109	Ouvert
			110 ◊ 124	Obturbateur aléatoire (vitesse décroissante)
			125 ◊ 129	Ouvert
			130 ◊ 144	Aléatoire rapide activé, lent désactivé (vitesse décroissante)
			145 ◊ 149	Ouvert
			150 ◊ 164	Aléatoire lent activé, rapide désactivé (vitesse décroissante)
			165 ◊ 169	Ouvert
			170 ◊ 184	Effet pulsation 1 (vitesse décroissante)
			185 ◊ 189	Ouvert
			190 ◊ 204	Fermé
205 ◊ 209	Ouvert			
210 ◊ 224	Effet stroboscopique (vitesse décroissante)			
225 ◊ 229	Ouvert			
230 ◊ 244	Rapide activé, lent désactivé (vitesse décroissante)			
245 ◊ 255	Ouvert			
12	12	Zoom	000 ◊ 255	Zoom avant et arrière

Valeurs DMX (suite)

14 Canaux
(suite)

Canal	Fonction	Valeur	Pourcentage/Configuration
13	Fonctions de Commande	000 ó 009	Pas de fonction
		010 ó 014	Noir général quand pan/tilt
		015 ó 049	Pas de fonction
		050 ó 054	Réinitialiser le pan
		055 ó 059	Réinitialiser le tilt
		060 ó 064	Réinitialiser zoom
		065 ó 069	Pas de fonction
		070 ó 074	Tout réinitialiser
		075 ó 079	Pas de fonction
		080 ó 084	Pan/Tilt inversé
		085 ó 089	Pan inversé
		090 ó 094	Tilt inversé
		095 ó 099	Annuler l'inversion de pan
		100 ó 104	Annuler l'inversion de tilt
		105 ó 109	Annuler l'inversion de tilt
		110 ó 114	Vitesse normale de pan/tilt
		115 ó 119	Mode rapide pan/tilt
		120 ó 124	Vitesse lente de pan/tilt
		125 ó 129	Ventilateur (vitesse rapide)
		130 ó 134	Ventilateur (auto)
135 ó 139	Gradation (rapide)		
140 ó 144	Gradation, fluide		
145 ó 255	Pas de fonction		
14	Macros de Mouvements	000 ó 007	Pas de fonction
		008 ó 023	Macro de mouvement automatique 1
		024 ó 039	Macro de mouvement automatique 2
		040 ó 055	Macro de mouvement automatique 3
		056 ó 071	Macro de mouvement automatique 4
		072 ó 087	Macro de mouvement automatique 5
		088 ó 103	Macro de mouvement automatique 6
		104 ó 119	Macro de mouvement automatique 7
		120 ó 135	Macro de mouvement automatique 8
		136 ó 151	Macro de mouvement à déclenchement au son 1
		152 ó 167	Macro de mouvement à déclenchement au son 2
		168 ó 183	Macro de mouvement à déclenchement au son 3
		184 ó 199	Macro de mouvement à déclenchement au son 4
		200 ó 215	Macro de mouvement à déclenchement au son 5
		216 ó 231	Macro de mouvement à déclenchement au son 6
		232 ó 247	Macro de mouvement à déclenchement au son 7
		248 ó 255	Macro de mouvement à déclenchement au son 8

Über diese Schnellanleitung

In der Schnellanleitung des Intimidator™ Wash Zoom 350 IRC finden Sie die wesentlichen Produktinformationen, wie etwa über die Montage, Menüoptionen und DMX-Werte des Geräts. Laden Sie für weiterführende Informationen unter www.chauvetlighting.com das Benutzerhandbuch herunter.

Haftungsausschluss

Die Informationen und Spezifikationen dieser Anleitung können ohne vorherige Ankündigung geändert werden.

Sicherheitshinweise

Diese Sicherheitshinweise enthalten wichtige Informationen über die Montage, Verwendung und Wartung des Geräts.



- Dieses Produkt eignet sich nicht für eine permanente Installation.
- **SCHLIESSEN** Sie dieses Produkt nur an einen mit der Masse verbundenen und abgesicherten Stromkreislauf an.
- Trennen Sie das Gerät von der Stromquelle, bevor Sie es reinigen oder die Sicherung austauschen.
- **NIEMALS** in die Lichtquelle schauen, während das Gerät eingeschaltet ist.
- Stellen Sie sicher, dass das Netzkabel nicht gequetscht oder beschädigt ist.
- Ziehen Sie beim Trennen des Geräts von der Stromversorgung nie am Kabel.
- Bei Montage über Kopf immer ein Sicherungsseil verwenden.
- **KEINE** entflammaren Materialien während des Betriebs in der Nähe des Geräts lagern.
- **NIEMALS** während des Betriebs das Gehäuse berühren, da dies sehr heiß wird.



- Die Spannung der Schukosteckdose, an die Sie das Gerät anschließen, muss sich innerhalb des Spannungsbereiches befinden, der auf dem Hinweisschild oder dem rückwärtigen Bedienfeld des Geräts angegeben ist.
- Dieses Gerät darf nur im Innenbereich verwendet werden. (IP20) Um das Risiko von Bränden oder elektrischen Schlägen zu vermeiden, dürfen Sie das Gerät nicht Regen oder Feuchtigkeit aussetzen.
- Installieren Sie das Gerät an einem Ort mit ausreichender Belüftung und mit einem Abstand von 50 cm zu den angrenzenden Flächen.
- Stellen Sie sicher, dass die Lüftungsöffnungen im Gehäuse des Geräts nicht verschlossen sind.
- Schließen Sie dieses Gerät niemals an einen Dimmer oder Regelwiderstand an.
- Achten Sie beim Auswechseln der Sicherung darauf, den gleichen Typ mit den gleichen Werten zu verwenden.
- Tragen Sie das Gerät nur an den Griffen oder Befestigungsschelle.
- Die maximal zulässige Umgebungstemperatur beträgt 40 °C. Nehmen Sie das Gerät nicht bei höheren Temperaturen in Betrieb.
- Bei ernsthaften Betriebsproblemen stoppen Sie umgehend die Verwendung des Geräts.
- Dieses Gerät **NICHT** öffnen. Die eingebauten Komponenten sind für den Kunden wartungsfrei.
- Um unnötigen Verschleiß zu vermeiden und die Lebensdauer des Geräts zu verlängern, trennen Sie während längerer Perioden des Nichtgebrauchs das Gerät vom Stromnetz – entweder per Trennschalter oder durch Herausziehen des Steckers aus der Steckdose.

Kontakt Kunden außerhalb der USA, GB, Irland, Mexiko oder Benelux wenden sich an ihren Lieferanten, um den Kundendienst in Anspruch zu nehmen oder ein Gerät zurückzuschicken. Kontaktinformationen finden Sie unter www.chauvetlighting.com.

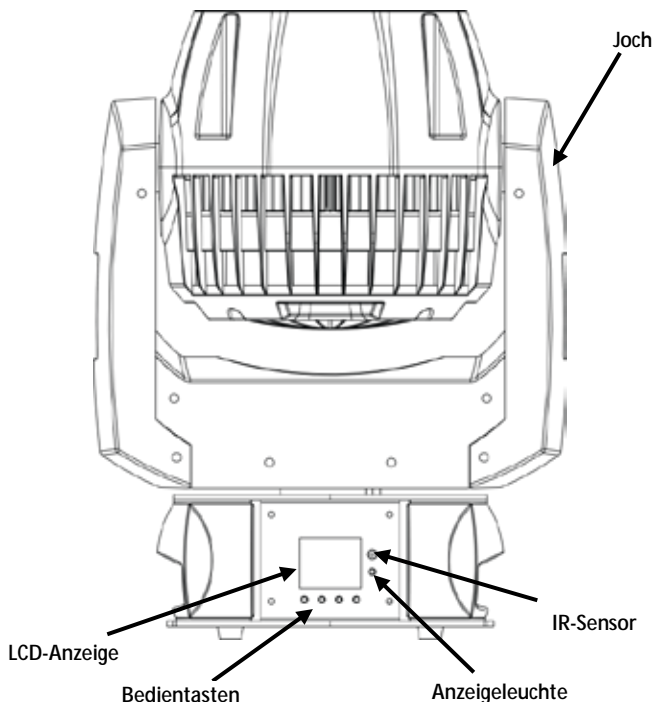
Packungsinhalt

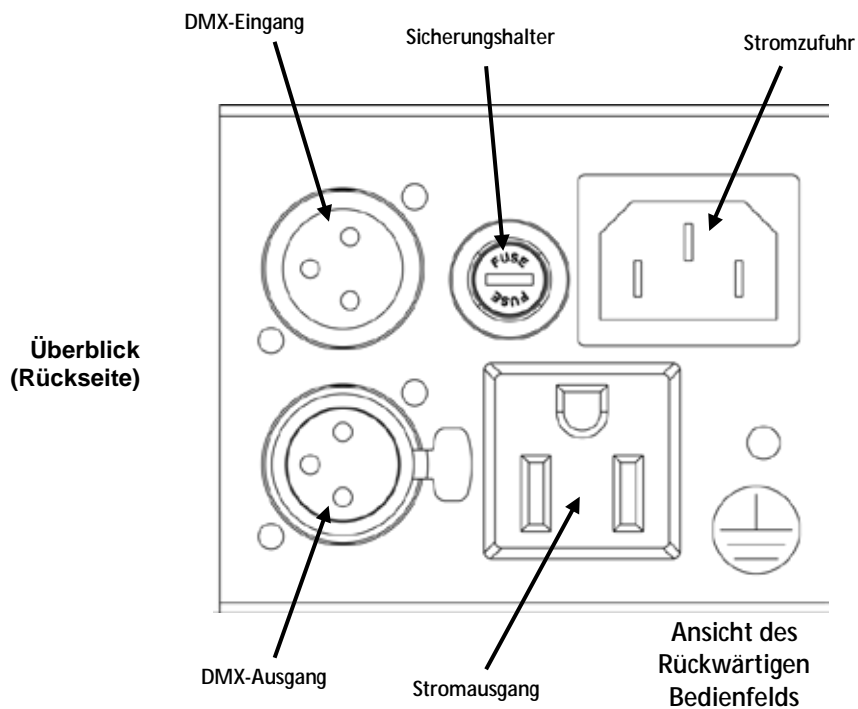
- Intimidator™ Wash Zoom 350 IRC
- Garantiekarte
- Netzkabel
- Schnellanleitung
- Gewindereduzierstück

Start Packen Sie Ihr Intimidator™ Wash Zoom 350 IRC aus und überprüfen Sie, ob Sie alle Teile unbeschädigt erhalten haben. Wenn die Verpackung beschädigt ist, benachrichtigen Sie umgehend das Transportunternehmen, nicht jedoch Chauvet.

Beschreibung Der Intimidator™ Wash Zoom 350 IRC ist ein kompakter Moving Head mit Wash-Effekt und vielen Funktionen und mit vierfarbigen RGBW-LEDs mit 20 Watt. Ein motorbetriebener Zoom erlaubt kleine und große Projektionsdistanzen. Die kontrastreiche, farbige LCD-Anzeige ermöglicht ein einfaches Navigieren und eine vollständige Textanzeige. Er erzeugt synchronisierte Show im Master/Slave-Modus mit integrierten automatischen Programmen, auf die bequem zugegriffen werden kann. Die optionale IR-Fernbedienung IRC-6 von Chauvet ermöglicht eine Bedienung ohne DMX. Mit dem CHS-50 VIP Gear Bag von Chauvet lässt sich der Intimidator™ Wash Zoom 350 IRC bequem transportieren.

Überblick





Wechselstrom Dieses Gerät verfügt über ein Vorschaltgerät, das automatisch die anliegende Spannung erkennt, sobald der Netzstecker in die Schukosteckdose gesteckt wird, und kann mit einer Eingangsspannung von 100-240 VAC, 50/60 Hz arbeiten.



Um unnötigen Verschleiß zu vermeiden und die Lebensdauer des Geräts zu verlängern, trennen Sie während längerer Perioden des Nichtgebrauchs das Gerät vom Stromnetz – entweder per Trennschalter oder durch Herausziehen des Steckers aus der Steckdose.

Reihenschaltung der Geräte Um die maximal mögliche Anzahl der bei jeder Spannung in Serienschaltung zusammenschließbaren Intimidator™ Wash Zoom 350 IRC lesen Sie das Typenschild oder die Bedienungsanleitung.

Auswechseln der Sicherung

1. Trennen Sie das Gerät vom Stromnetz.
2. Mithilfe eines Flachkopfschraubendrehers lockern Sie den Sicherungshalter und ziehen ihn gerade heraus.
3. Entfernen Sie die durchgebrannte Sicherung von der Klemme, und ersetzen Sie diese durch eine Sicherung des gleichen Typs und mit den gleichen Werten.
4. Stecken Sie den Sicherungshalter wieder zurück, und schließen Sie das Gerät an das Stromnetz an.

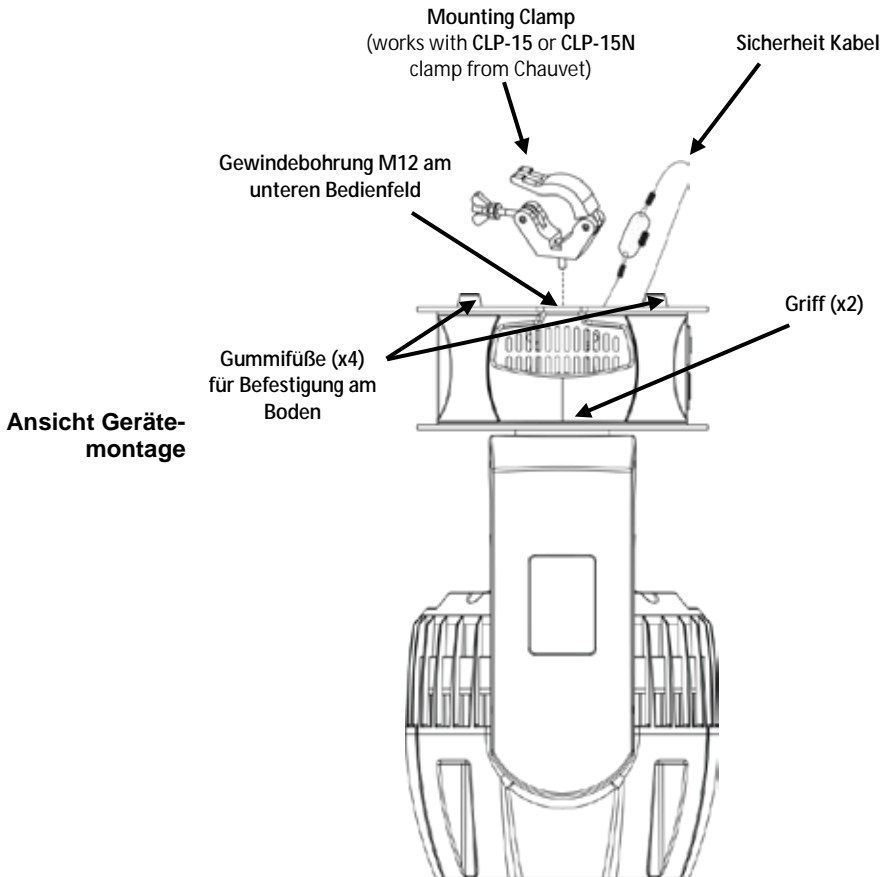
Infrarot-Fernbedienung (IRC-6)

Der Intimidator™ Wash Zoom 350 IRC ist kompatibel mit der IR-Fernbedienung IRC-6 von Chauvet.

Die folgenden Tasten der IR-Fernbedienung IRC-6 werden für die Intimidator™ Wash 350 IRC verwendet:

- <BLACKOUT> - schaltet die LED ein/aus
- <AUTO> - wählt den Auto-Programm-Modus aus
- <SOUND> - wählt den Musiksteuerungs-Modus aus
- <STROBE> - Stroboskopeffekt (0–20 Hz)
- <SPEED> - Geschwindigkeit des Auto-Programms
- <SENSITIVITY> - wählt die Musikempfindlichkeit aus
- <%> - Dimmer
- <MANUAL> - manuelle Steuerung der weißen LED
- <FADE/SNAP> - Farbänderung
- <R> - manuelle Steuerung der roten LED
- <G> - manuelle Steuerung der grünen LED
- - manuelle Steuerung der blauen LED
- <+> - Erhöhung von Neigungs- und Schwenkungsgeschwindigkeit, Shutter/Dimmer/Empfindlichkeit und Makro
- <-> - Absenkung von Neigungs- und Schwenkungsgeschwindigkeit, Shutter/Dimmer/Empfindlichkeit und Makro
- <0> to <9> - Neigungs-/Schwenkungs-Makrobewegungen

Montage Lesen Sie vor der Montage dieses Geräts die [Sicherheitshinweise](#) durch.



Mit dem beiliegenden Gewindereduzierstück reduzieren Sie die vorhandene Gewindebohrung auf M10. Die kleinere Größe M10 passt für die Schelle CLP-10 von Chauvet.



Bei Verwendung von nur einer Befestigungsklemme für dieses Gerät ist eine Klemme mit einer Sicherungsschraube zu verwenden, um ein unbeabsichtigtes Lösen zu verhindern.

**Beschreibung
des
Bedienfeldes
Lesen**

Taste	Funktion
<MENU>	Damit verlassen Sie das aktuelle Menü oder die Funktion
<UP>	Damit navigieren Sie sich durch die Menüpunkte nach oben und erhöhen den numerischen Wert der entsprechenden Funktionen
<DOWN>	Damit navigieren Sie sich durch die Menüpunkte nach unten und verringern den numerischen Wert der entsprechenden Funktionen
<ENTER>	Damit wird das aktuell angezeigte Menü aktiviert oder der aktuell ausgewählte Wert einer Funktion eingestellt

Menüoptionen

Hauptebene	Programmirebenen		Beschreibung
Address	001–512		Stellt die DMX-Startadresse ein
Run Mode	DMX	14CH	Wählt den DMX-Modus aus
		29CH	
	Auto	Auto01—Auto16	Wählt das Auto-Programm aus
	Sound		Wählt den Musiksteuerungs-Modus aus
	Slave		Wählt den Slave-Modus aus
	IR		Wählt eine Infrarot-Steuerung
Setup	Pan Reverse	OFF	Normaler Schwenk-Modus
		ON	Umgekehrter Schwenk-Modus
	Tilt Reverse	OFF	Normaler Neigungs-Modus
		ON	Umgekehrter Neigungs-Modus
	Pan Angle	540	Wählt den 540°-Schwenkwinkelbereich aus
		360	Wählt den 360°-Schwenkwinkelbereich aus
		180	Wählt den 180°-Schwenkwinkelbereich aus
	Tilt Angle	270	Wählt den 270°-Neigungswinkelbereich aus
		180	Wählt den 180°-Neigungswinkelbereich aus
		90	Wählt den 90°-Neigungswinkelbereich aus
	P/T Speed	Normal	Wählt die Geschwindigkeit der Schwenkung/Neigung aus
		Fast	
		Slow	
	Fans	Auto	Stellt die Lüfterdrehzahl nach der Temperatur ein
		Full	Lüfterdrehzahl auf volle Drehzahl
	Display	OFF	Hintergrundbeleuchtung der Anzeige schaltet nach Inaktivität aus
		ON	Hintergrundbeleuchtung der Anzeige bleibt immer an
	Screen Rev	OFF	Normale Anzeige
		ON	Umgekehrte Anzeige
	Dimmer Curve	Square	Wählt die Dimmerkurve aus
		I Squa	
SCurve			
Linear			
Dimmer Speed	Fast	Wählt die Dimmergeschwindigkeit aus	
	Smooth		
Color Balance	RED	Wählt die Farbbalance aus (100 bis 255)	
	GREEN		
	BLUE		
	WHITE		
Sensitivity	001—100	Stellt die Musikempfindlichkeit ein	
Reset		Setzt das Gerät zurück	
Factory Set		Lädt Werkseinstellung	

Menüoptionen (Fortsetzung)

Hauptebene	Programmirebenen	Beschreibung
Sys Info	Ver VX	Zeigt die Software-Version an
	Running Mode XXXXX	Zeigt den aktuellen Betriebsmodus an
	DMX Address XXX	Zeigt den aktuellen DMX-Modus an
	Temperature XXX	Zeigt die LED-Temperatur in Grad Celsius an

DMX-Verbindung Der Intimidator™ Wash Zoom 350 IRC kann mit einem DMX-Controller betrieben werden, wenn eine DMX-Reihenschaltung zum Einsatz kommt. Anweisungen zum Zusammenschluss und der Konfiguration dieses Geräts für den Betrieb im DMX-Modus finden Sie im Benutzerhandbuch. Wenn Sie mit DMX nicht vertraut sind, laden Sie “DMX - Eine Einführung” unter www.chauvetlighting.com herunter.

Startadresse Um einen vollständigen Zugang zu allen Kanälen in jedem DMX-Modus zu gewährleisten, beträgt die höchste empfohlene DMX-Adresse **484**.

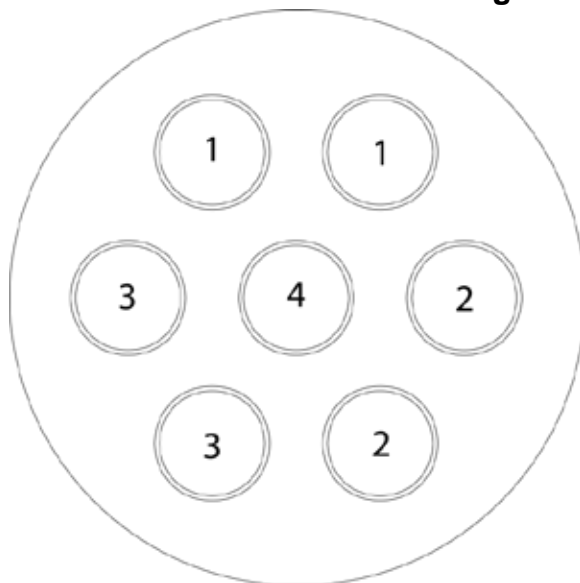
Master/Slave-Schaltung Der Intimidator™ Wash Zoom 350 IRC verwendet für seinen Master/Slave-Modus eine DMX-Datenverbindung. Anweisungen zum Zusammenschluss und der Konfiguration dieses Geräts für den Betrieb im Master/Slave-Modus finden Sie im Benutzerhandbuch.

DMX-Werte

29 Kanäle

Kanal	Funktion	Wert	Prozent/Einstellung	
1	Schwenkung	000 ó 255	0 bis 540°	
2	Schwenkung fein	000 ó 255	Feinkontrolle der Schwenkung	
3	Neigung	000 ó 255	0 bis 270°	
4	Neigung fein	000 ó 255	Feinkontrolle der Neigung	
5	Geschwindigkeit	000 ó 255	Geschwindigkeit der Schwenkungs- und Neigungsbewegung (schnell bis langsam)	
6	Rot	000 ó 255	0 bis 100%	Zone 1
7	Grün	000 ó 255	0 bis 100%	
8	Blau	000 ó 255	0 bis 100%	
9	Weiß	000 ó 255	0 bis 100%	
10	Rot	000 ó 255	0 bis 100%	Zone 2
11	Grün	000 ó 255	0 bis 100%	
12	Blau	000 ó 255	0 bis 100%	
13	Weiß	000 ó 255	0 bis 100%	
14	Rot	000 ó 255	0 bis 100%	Zone 3
15	Grün	000 ó 255	0 bis 100%	
16	Blau	000 ó 255	0 bis 100%	
17	Weiß	000 ó 255	0 bis 100%	
18	Rot	000 ó 255	0 bis 100%	Zone 4
19	Grün	000 ó 255	0 bis 100%	
20	Blau	000 ó 255	0 bis 100%	
21	Weiß	000 ó 255	0 bis 100%	

Intimidator™ Wash Zoom 350 IRC – Steuerungszonen



DMX-Werte (Fortsetzung)

29 Kanäle (Fortsetzung)	Kanal	Funktion	Wert	Prozent/Einstellung
			000 ó 004	Keine Funktion
			005 ó 009	Farbe 1
			010 ó 014	Farbe 2
			015 ó 019	Farbe 3
			020 ó 024	Farbe 4
			025 ó 029	Farbe 5
			030 ó 034	Farbe 6
			035 ó 039	Farbe 7
			040 ó 044	Farbe 8
			045 ó 049	Farbe 9
			050 ó 054	Farbe 10
			055 ó 059	Farbe 11
			060 ó 064	Farbe 12
			065 ó 069	Farbe 13
			070 ó 074	Farbe 14
			075 ó 079	Farbe 15
			080 ó 084	Farbe 16
			085 ó 089	Farbe 17
			090 ó 094	Farbe 18
			095 ó 099	Farbe 19
			100 ó 104	Farbe 20
			105 ó 109	Farbe 21
			110 ó 114	Farbe 22
			115 ó 119	Farbe 23
			120 ó 124	Farbe 24
			125 ó 129	Farbe 25
			130 ó 134	Farbe 26
			135 ó 139	Farbe 27
			140 ó 144	Farbe 28
			145 ó 149	Farbe 29
			150 ó 154	Farbe 30
			155 ó 159	Farbe 31
			160 ó 164	Farbe 32
			165 ó 169	Farbe 33
			170 ó 174	Farbe 34
			175 ó 179	Keine Funktion
			180 ó 201	Farbwechsel im Uhrzeigersinn (schnell bis langsam)
			202 ó 207	Stopp (Farbe bleibt in der aktuellen Farbe)
			208 ó 229	Farbwechsel gegen dem Uhrzeigersinn (langsam bis schnell)
			230 ó 234	Keine Funktion
			235 ó 249	Farbiger Jumping-Effekt (schnell bis langsam)
			250 ó 255	Musiksteuerungs-Farben

DMX-Werte (Fortsetzung)

29 Kanäle
(Fortsetzung)

Kanal	Funktion	Wert	Prozent/Einstellung
23	Integrierte Steuerung	000 ó 015	Keine Funktion
		016 ó 031	Zonenmakro 1
		032 ó 047	Zonenmakro 2
		048 ó 063	Zonenmakro 3
		064 ó 079	Zonenmakro 4
		080 ó 095	Zonenmakro 5
		096 ó 111	Zonenmakro 6
		112 ó 127	Integriert 7 (Zonenmakros 1—6)
		128 ó 143	Integriert 8
		144 ó 159	Integriert 9
		160 ó 175	Integriert 10
		176 ó 191	Integriert 11
		192 ó 207	Integriert 12
		208 ó 223	Integriert 13
		224 ó 239	Integriert 14
		240 ó 255	Integriert 15 (integriert 8 bis 14)
24	Integrierte Geschwindigkeit	000 ó 255	Zonen und integrierte Geschwindigkeit (langsam bis schnell)
25	Dimmer	000 ó 255	0 bis 100%
26	Shutter	000 ó 019	Geschlossen
		020 ó 024	Offen
		025 ó 064	Stroboskopeffekt (sinkende Geschwindigkeit)
		065 ó 069	Offen
		070 ó 084	Schnell ein, langsam aus (sinkende Geschwindigkeit)
		085 ó 089	Offen
		090 ó 104	Langsam ein, schnell aus (sinkende Geschwindigkeit)
		105 ó 109	Offen
		110 ó 124	Zufalls-Shutter (sinkende Geschwindigkeit)
		125 ó 129	Offen
		130 ó 144	Zufall schnell ein, langsam aus (sinkende Geschwindigkeit)
		145 ó 149	Offen
		150 ó 164	Zufall langsam ein, schnell aus (sinkende Geschwindigkeit)
		165 ó 169	Offen
		170 ó 184	Pulse-Effekt 1 (sinkende Geschwindigkeit)
		185 ó 189	Offen
		190 ó 204	Pulse-Effekt 2 (sinkende Geschwindigkeit)
		205 ó 209	Offen
		210 ó 224	Stufenweise ein und aus (sinkende Geschwindigkeit)
		225 ó 229	Offen
230 ó 244	Pulse-Effekt 3 (sinkende Geschwindigkeit)		
245 ó 255	Offen		
27	Vergrößerung	000 ó 255	Vergrößern und verkleinern

DMX-Werte (Fortsetzung)

29 Kanäle (Fortsetzung)	Kanal	Funktion	Wert	Prozent/Einstellung
28		Steuerfunktionen	000 ○ 009	Keine Funktion
			010 ○ 014	Verdunkelung während der Schwenkung/Neigung
			015 ○ 049	Keine Funktion
			050 ○ 054	Schwenkung zurücksetzen
			055 ○ 059	Neigung zurücksetzen
			060 ○ 064	Zoom zurücksetzen
			065 ○ 069	Keine Funktion
			070 ○ 074	Alle zurücksetzen
			075 ○ 079	Keine Funktion
			080 ○ 084	Umgekehrte Schwenkung/Neigung
			085 ○ 089	Umgekehrte Schwenkung
			090 ○ 094	Umgekehrte Neigung
			095 ○ 099	Umgekehrte Schwenkung abbrechen
			100 ○ 104	Umgekehrte Neigung abbrechen
			105 ○ 109	Umgekehrte Schwenkung/Neigung abbrechen
			110 ○ 114	Normale Schwenkungs-/Neigungsgeschwindigkeit
			115 ○ 119	Hohe Schwenkungs-/Neigungsgeschwindigkeit
			120 ○ 124	Niedrige Schwenkungs-/Neigungsgeschwindigkeit
			125 ○ 129	Lüfter (volle Drehzahl)
			130 ○ 134	Lüfter (automatisch)
135 ○ 139	Dimmer, hohe Geschwindigkeit			
140 ○ 144	Dimmer, niedrige Geschwindigkeit			
145 ○ 255	Keine Funktion			
29		Makrobewegungen	000 ○ 007	Keine Funktion
			008 ○ 023	Makro für automatische Bewegung 1
			024 ○ 039	Makro für automatische Bewegung 2
			040 ○ 055	Makro für automatische Bewegung 3
			056 ○ 071	Makro für automatische Bewegung 4
			072 ○ 087	Makro für automatische Bewegung 5
			088 ○ 103	Makro für automatische Bewegung 6
			104 ○ 119	Makro für automatische Bewegung 7
			120 ○ 135	Makro für automatische Bewegung 8
			136 ○ 151	Makro für musikgesteuerte Bewegung 1
			152 ○ 167	Makro für musikgesteuerte Bewegung 2
			168 ○ 183	Makro für musikgesteuerte Bewegung 3
			184 ○ 199	Makro für musikgesteuerte Bewegung 4
			200 ○ 215	Makro für musikgesteuerte Bewegung 5
			216 ○ 231	Makro für musikgesteuerte Bewegung 6
			232 ○ 247	Makro für musikgesteuerte Bewegung 7
			248 ○ 255	Makro für musikgesteuerte Bewegung 8

DMX-Werte (Fortsetzung)**14 Kanäle**

Kanal	Funktion	Wert	Prozent/Einstellung
1	Schwenkung	000 ó 255	0 bis 540°
2	Neigung	000 ó 255	0 bis 270°
3	Geschwindigkeit	000 ó 255	Geschwindigkeit der Schwenkungs- und Neigungsbewegung (schnell bis langsam)
4	Rot	000 ó 255	0 bis 100%
5	Grün	000 ó 255	0 bis 100%
6	Blau	000 ó 255	0 bis 100%
7	Weiß	000 ó 255	0 bis 100%
8	Integrierte Steuerung	000 ó 015	Keine Funktion
		016 ó 031	Zonenmakro 1
		032 ó 047	Zonenmakro 2
		048 ó 063	Zonenmakro 3
		064 ó 079	Zonenmakro 4
		080 ó 095	Zonenmakro 5
		096 ó 111	Zonenmakro 6
		112 ó 127	Integriert 7 (Zonenmakros 1—6)
		128 ó 143	Integriert 8
		144 ó 159	Integriert 9
		160 ó 175	Integriert 10
		176 ó 191	Integriert 11
		192 ó 207	Integriert 12
		208 ó 223	Integriert 13
224 ó 239	Integriert 14		
240 ó 255	Integriert 15 (integriert 8 bis 14)		
9	Integrierte Geschwindigkeit	000 ó 255	Zonen und integrierte Geschwindigkeit (langsam bis schnell)
10	Dimmer	000 ó 255	0 bis 100%

DMX-Werte (Fortsetzung)**14 Kanäle
(Fortsetzung)**

Kanal	Funktion	Wert	Prozent/Einstellung
11	Shutter	000 ó 019	Geschlossen
		020 ó 024	Offen
		025 ó 064	Stroboskopeffekt (sinkende Geschwindigkeit)
		065 ó 069	Offen
		070 ó 084	Schnell ein, langsam aus (sinkende Geschwindigkeit)
		085 ó 089	Offen
		090 ó 104	Langsam ein, schnell aus (sinkende Geschwindigkeit)
		105 ó 109	Offen
		110 ó 124	Zufalls-Shutter (sinkende Geschwindigkeit)
		125 ó 129	Offen
		130 ó 144	Zufall schnell ein, langsam aus (sinkende Geschwindigkeit)
		145 ó 149	Offen
		150 ó 164	Zufall langsam ein, schnell aus (sinkende Geschwindigkeit)
		165 ó 169	Offen
		170 ó 184	Pulse-Effekt 1 (sinkende Geschwindigkeit)
		185 ó 189	Offen
		190 ó 204	Pulse-Effekt 2 (sinkende Geschwindigkeit)
205 ó 209	Offen		
210 ó 224	Stufenweise ein und aus (sinkende Geschwindigkeit)		
225 ó 229	Offen		
230 ó 244	Pulse-Effekt 3 (sinkende Geschwindigkeit)		
245 ó 255	Offen		
12	Vergrößerung	000 ó 255	Vergrößern und verkleinern

DMX-Werte (Fortsetzung)

14 Kanäle
(Fortsetzung)

Kanal	Funktion	Wert	Prozent/Einstellung
13	Steuerfunktionen	000 ó 009	Keine Funktion
		010 ó 014	Verdunkelung während der Schwenkung/Neigung
		015 ó 049	Keine Funktion
		050 ó 054	Schwenkung zurücksetzen
		055 ó 059	Neigung zurücksetzen
		060 ó 064	Zoom zurücksetzen
		065 ó 069	Keine Funktion
		070 ó 074	Alle zurücksetzen
		075 ó 079	Keine Funktion
		080 ó 084	Umgekehrte Schwenkung/Neigung
		085 ó 089	Umgekehrte Schwenkung
		090 ó 094	Umgekehrte Neigung
		095 ó 099	Umgekehrte Schwenkung abbrechen
		100 ó 104	Umgekehrte Neigung abbrechen
		105 ó 109	Umgekehrte Schwenkung/Neigung abbrechen
		110 ó 114	Normale Schwenkungs-/Neigungsgeschwindigkeit
		115 ó 119	Hohe Schwenkungs-/Neigungsgeschwindigkeit
		120 ó 124	Niedrige Schwenkungs-/Neigungsgeschwindigkeit
		125 ó 129	Lüfter (volle Drehzahl)
		130 ó 134	Lüfter (automatisch)
135 ó 139	Dimmer, hohe Geschwindigkeit		
140 ó 144	Dimmer, niedrige Geschwindigkeit		
145 ó 255	Keine Funktion		
14	Makrobewegungen	000 ó 007	Keine Funktion
		008 ó 023	Makro für automatische Bewegung 1
		024 ó 039	Makro für automatische Bewegung 2
		040 ó 055	Makro für automatische Bewegung 3
		056 ó 071	Makro für automatische Bewegung 4
		072 ó 087	Makro für automatische Bewegung 5
		088 ó 103	Makro für automatische Bewegung 6
		104 ó 119	Makro für automatische Bewegung 7
		120 ó 135	Makro für automatische Bewegung 8
		136 ó 151	Makro für musikgesteuerte Bewegung 1
		152 ó 167	Makro für musikgesteuerte Bewegung 2
		168 ó 183	Makro für musikgesteuerte Bewegung 3
		184 ó 199	Makro für musikgesteuerte Bewegung 4
		200 ó 215	Makro für musikgesteuerte Bewegung 5
		216 ó 231	Makro für musikgesteuerte Bewegung 6
		232 ó 247	Makro für musikgesteuerte Bewegung 7
		248 ó 255	Makro für musikgesteuerte Bewegung 8

Sobre este Guia O Guia de Referência Rápida (GRR) do Intimidator™ Wash Zoom 350 IRC contém informações básicas sobre o produto tais como instalação, opções de menu e valores DMX. Transfira o Manual de Utilizador de www.chauvetlighting.com para obter mais informações.

Exclusão de Responsabilidade As informações e especificações contidas neste GRR estão sujeitas a alteração sem aviso prévio.

Instruções de Segurança Estas Instruções de Segurança incluem informações importantes sobre a instalação, utilização e manutenção.



- Este produto não se destina à instalação permanente.
- Ligue este produto APENAS a um circuito protegido e ligado à terra.
- Desligue-o sempre da alimentação antes da limpeza ou substituição do fusível.
- NÃO olhe para a fonte de luz quando o produto está ligado.
- Certifique-se de que o cabo de alimentação não está desgastado nem danificado.
- Nunca desligue este produto da alimentação ao puxar ou esticar o cabo de alimentação.
- Numa instalação suspensa deste produto, utilize sempre um cabo de segurança.
- NÃO permita a presença de materiais inflamáveis junto da unidade durante o seu funcionamento.
- NÃO toque neste produto aquando do funcionamento do mesmo, pois poderá estar quente.



- A tensão da tomada à qual irá ligar este produto deve estar no intervalo indicado no autocolante ou painel posterior do produto.
- Este produto destina-se apenas a ser utilizado no interior! (IP20) Para evitar o risco de incêndio ou choque eléctrico, não exponha este produto à chuva nem humidade.
- Instale sempre este produto num local com ventilação adequada, a pelo menos 50 cm (20 pol.) das superfícies adjacentes.
- Certifique-se de que não estão obstruídas quaisquer ranhuras de ventilação do corpo da unidade.
- Nunca ligue este produto a um regulador da intensidade da luz nem a um reóstato.
- Substitua o fusível por um do mesmo tipo e classificação.
- Transporte este produto APENAS com as mãos e não pegadas ou braçadeiras.
- A temperatura máxima ambiente é 40 °C (104 °F). Não utilize este produto em ambientes com temperaturas superiores.
- Em caso de um problema de funcionamento grave, pare a utilização imediatamente.
- NÃO abra este produto. Não contém quaisquer peças passíveis de manutenção.
- Para eliminar desgaste desnecessário e aumentar a respectiva vida útil, durante os períodos de não utilização deve desligar o produto da alimentação através de um disjuntor ou desconectando-o.

Contacto Fora dos E.U.A., Reino Unido, Irlanda, México ou Benelux, entre em contacto com o seu distribuidor para solicitar assistência ou devolver um produto. Aceda a www.chauvetlighting.com para obter informações de contacto.

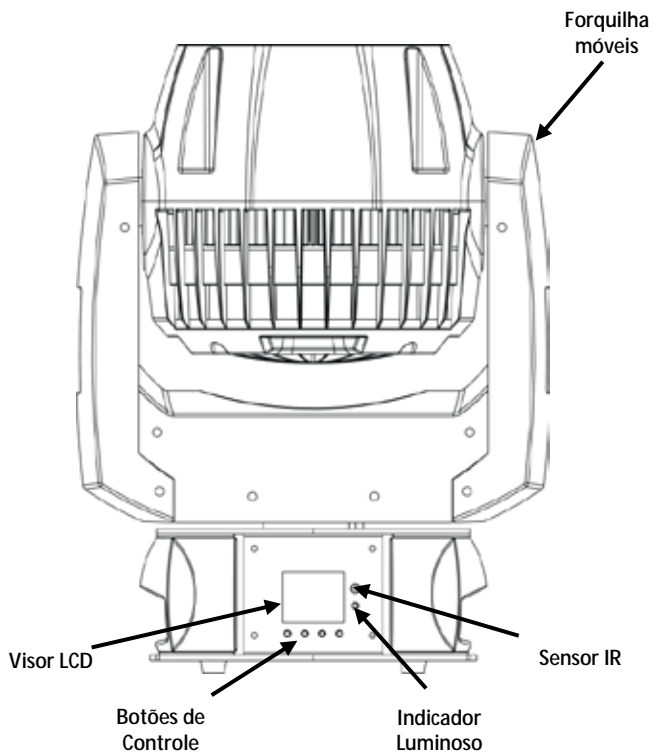
Conteúdo

- Intimidator™ Wash Zoom 350 IRC
- Cartão de Garantia
- Cabo de Alimentação
- Guia de Referência Rápida
- Adaptador Redutor Roscado

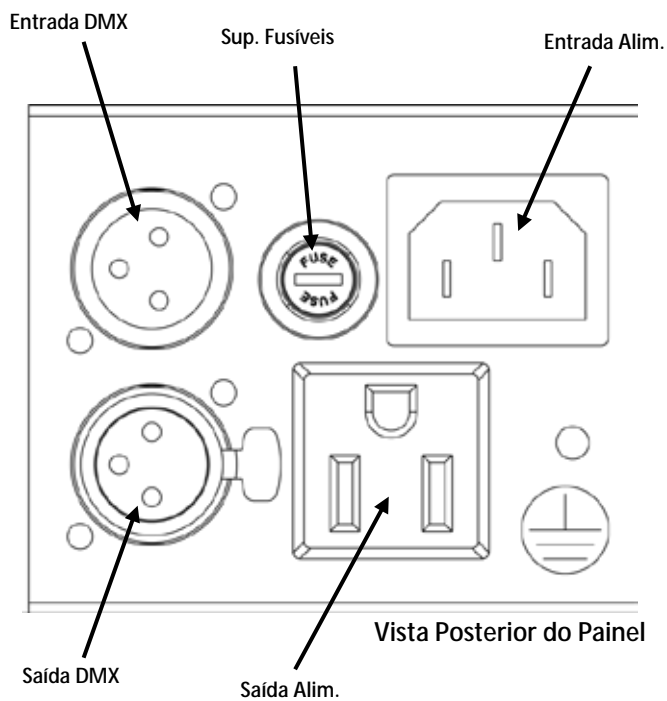
Para Começar Desembale o Intimidator™ Wash Zoom 350 IRC e certifique-se de que recebeu todas as peças em boas condições. Se a caixa ou conteúdos aparentarem estar danificados, notifique imediatamente a transportadora e não a Chauvet.

Descrição O Intimidator™ Wash Zoom 350 IRC é uma fonte de luz com cabeça móvel compacta repleta de funcionalidades equipada com LEDs RGBW com quatro cores de 20 W. Zoom motorizado para aplicações de curto e longo alcance. Navegação simples e leitura de texto completo com visor LCD a cores de elevado contraste. Crie um espectáculo sincronizado no modo principal/secundário com programas automáticos integrados de acesso simples. O telecomando IRC-6 opcional da Chauvet fornece um controlo não DMX prático sem fios. O Intimidator™ Wash Zoom 350 IRC pode ser guardado de forma ideal na bolsa de equipamento VIP CHS-50 disponibilizada pela Chauvet.

Descrição Geral



**Descrição Geral
(trás)**



Alimentação CA Este produto possui uma fonte de alimentação de intervalo automático que pode funcionar num intervalo de tensão de entrada de 100 a 240 VCA, 50/60 Hz.



Para eliminar desgaste desnecessário e aumentar a respectiva vida útil, durante os períodos de não utilização deve desligar o produto da alimentação através de um disjuntor ou desconectando-o.

Interligação de Alimentação Para saber qual o número máximo de produtos Intimidator™ Wash Zoom 350 IRC que poderá interligar em cada tensão, consulte o autocolante no produto ou o Manual do Utilizador.

Substituição do Fusível

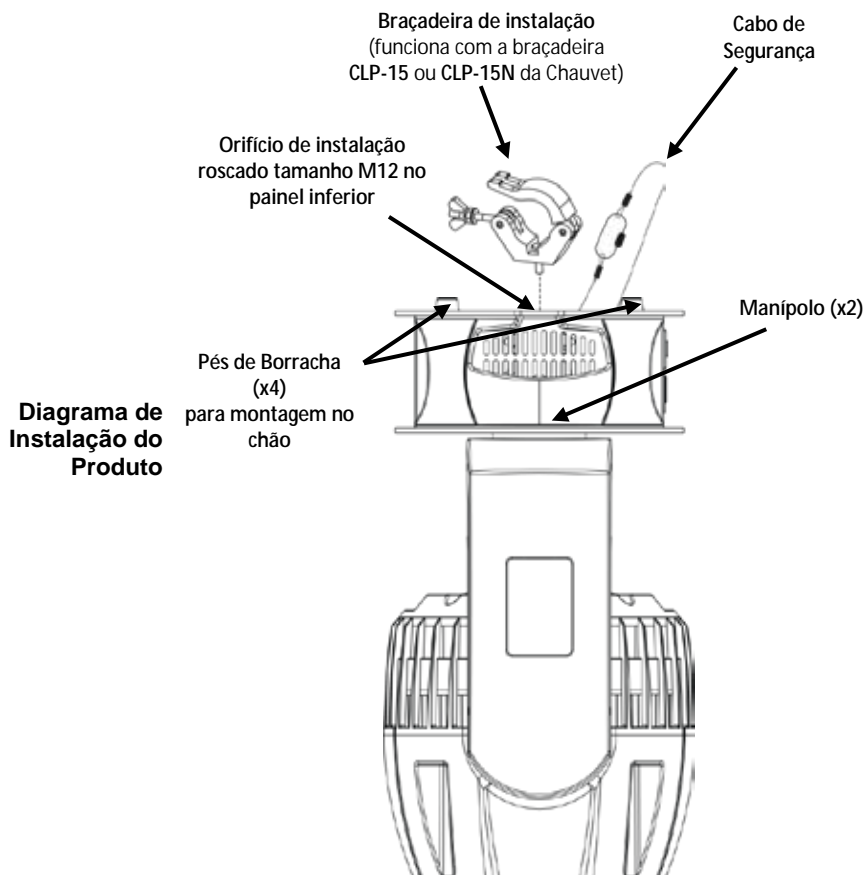
1. Desligue o produto da alimentação.
2. Utilizando uma chave de fendas de cabeça chata, desaperte o suporte de fusíveis e retire-o.
3. Retire o fusível queimado do suporte e substitua por um fusível com o mesmo tipo e classificação.
4. Volte a colocar o suporte de fusíveis e volte a ligar a alimentação.

Controlo Remoto por Infravermelho (IRC-6) O Intimidator™ Wash Zoom 350 IRC é compatível com o controlo remoto por infravermelho IRC-6 da Chauvet.

Os seguintes botões do IRC-6 são utilizados com o Intimidator™ Wash Zoom 350 IRC:

- <BLACKOUT> - liga/desliga o LED
- <AUTO> - selecciona o modo do programa automático
- <SOUND> - selecciona o modo de activação de som
- <STROBE> - sinal de validação (0–20 Hz)
- <SPEED> - velocidade do programa automático
- <SENSITIVITY> - selecciona a sensibilidade de som
- <%> - regulador de intensidade
- <MANUAL> - controlo manual de LED branco
- <FADE/SNAP> - alteração de cores
- <R> - controlo manual de LED vermelho
- <G> - controlo manual de LED verde
- - controlo manual de LED azul
- <+> - aumento macro e velocidade do obturador/regulador de intensidade/sensibilidade/deslocamento panorâmico
- <-> - diminuição macro e velocidade do obturador/regulador de intensidade/sensibilidade/deslocamento panorâmico
- <0> a <9> - movimentos macro de deslocamento panorâmico/inclinação

Instalação Antes de instalar este produto, leia as [Instruções de Segurança](#).



O adaptador redutor roscado incluído altera o orifício de instalação roscado incluído para o tamanho M10. O tamanho M10 mais reduzido funciona com a braçadeira CLP-10 da Chauvet.



Ao utilizar apenas uma braçadeira de montagem com este equipamento, deve utilizar uma braçadeira com um êmbolo retrátil para evitar o desaperto acidental.

Descrição do Painel de Controlo

Botão	Função
<MENU>	Sai da função ou menu actual
<UP>	Desloca-se para cima na lista de menus e aumenta o valor numérico numa função
<DOWN>	Desloca-se para baixo na lista de menus e diminui o valor numérico numa função
<ENTER>	Activa o menu exibido actualmente ou define o valor seleccionado actualmente na função seleccionada

Opções de Menu

Nível Principal	Níveis de Programação		Descrição
Address	001–512		Define o endereço de arranque de DMX
Run Mode	DMX	14CH	Selecciona o modo DMX
		29CH	
	Auto	Auto01—Auto16	Selecciona programa automático
	Sound		Selecciona o modo de activação de som
	Slave		Selecciona o modo secundário
IR		Selecciona o controlo infravermelhos	
Setup	Pan Reverse	OFF	Operação de deslocamento panorâmico normal
		ON	Operação de deslocamento panorâmico inverso
	Tilt Reverse	OFF	Operação de inclinação normal
		ON	Operação de inclinação inversa
	Pan Angle	540	Selecciona o intervalo de deslocamento panorâmico de 540°
		360	Selecciona o intervalo de deslocamento panorâmico de 360°
		180	Selecciona o intervalo de deslocamento panorâmico de 180°
	Tilt Angle	270	Selecciona o intervalo de inclinação de 270°
		180	Selecciona o intervalo de inclinação de 180°
		90	Selecciona o intervalo de inclinação de 90°
	P/T Speed	Normal	Selecciona a velocidade de deslocamento panorâmico/inclinação
		Fast	
		Slow	
	Fans	Auto	Define a velocidade da temperatura de acordo com a temperatura
		Full	Velocidade da ventoinha definida para a velocidade máxima
	Display	OFF	A luz de fundo do visor apaga-se após um período de inactividade
		ON	A luz de fundo do visor permanece ligada
	Screen Rev	OFF	Visor normal
		ON	Visor invertido
	Dimmer Curve	Square	Selecciona modo de curva do regulador de intensidade de luz
I Squa			
SCurve			
Linear			
Dimmer Speed	Fast	Selecciona a velocidade do regulador de intensidade	
	Smooth		

Opções de Menu (cont.)

Nível Principal	Níveis de Programação		Descrição
Setup (cont.)	Color Balance	RED	Selecciona o equilíbrio de cores (100 a 255)
		GREEN	
		BLUE	
		WHITE	
	Sensitivity	001—100	Define a sensibilidade de som
	Reset		Repõe o produto
Factory Set			Carrega as predefinições de fábrica
Sys Info	Ver VX		Exibe a versão do software
	Running Mode XXXXX		Exibe o modo de funcionamento actual
	DMX Address XXX		Exibe o endereço DMX actual
	Temperature XXX		Apresenta a temperatura do LED em graus Celsius

Interligação DMX O Intimidator™ Wash Zoom 350 IRC pode trabalhar com um controlador DMX quando se encontra ligado a ligações da série DMX. As instruções para a ligação e configuração deste produto para a operação DMX encontram-se no Manual de Utilizador. Se não estiver familiarizado com o DMX, transfira o DMX Primer a partir de www.chauvetlighting.com.

Endereço Inicial Para garantir um acesso total a todos os canais em cada modo DMX, o endereço DMX mais elevado recomendado é **484**.

Ligação Principal/ Secundária O Intimidator™ Wash Zoom 350 IRC utiliza a ligação de dados DMX para o seu modo principal/secundário. As instruções para a ligação e configuração deste produto para a operação Principal/Secundário encontram-se no Manual de Utilizador.

Valores DMX

29 Canais

Canal	Função	Valor	Porcentagem/Definição
1	Deslocamento Panorâmico	000 ó 255	0 a 540°
2	Deslocamento Panorâmico Preciso	000 ó 255	Controlo preciso do deslocamento panorâmico
3	Inclinação	000 ó 255	0 a 270°
4	Inclinação Precisa	000 ó 255	Controlo preciso da inclinação
5	Velocidade	000 ó 255	Velocidade da inclinação/deslocamento panorâmico (rápido a lento)
6	Vermelho	000 ó 255	0 a 100%
7	Verde	000 ó 255	0 a 100%
8	Azule	000 ó 255	0 a 100%
9	Branco	000 ó 255	0 a 100%
10	Vermelho	000 ó 255	0 a 100%
11	Verde	000 ó 255	0 a 100%
12	Azule	000 ó 255	0 a 100%
13	Branco	000 ó 255	0 a 100%
14	Vermelho	000 ó 255	0 a 100%
15	Verde	000 ó 255	0 a 100%
16	Azule	000 ó 255	0 a 100%
17	Branco	000 ó 255	0 a 100%
18	Vermelho	000 ó 255	0 a 100%
19	Verde	000 ó 255	0 a 100%
20	Azule	000 ó 255	0 a 100%
21	Branco	000 ó 255	0 a 100%

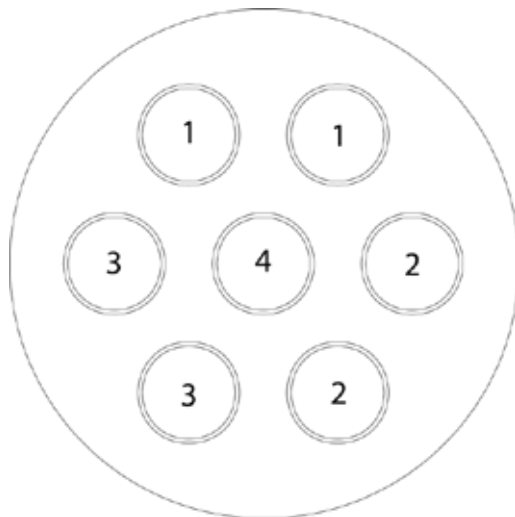
Zona 1

Zona 2

Zona 3

Zona 4

Zonas de Controlo do Intimidator™ Wash Zoom 350 IRC



Valores DMX (cont.)**29 Canais
(cont.)**

Canal	Função	Valor	Porcentagem/Definição
22	Cores	000 ó 004	Sem função
		005 ó 009	Cor 1
		010 ó 014	Cor 2
		015 ó 019	Cor 3
		020 ó 024	Cor 4
		025 ó 029	Cor 5
		030 ó 034	Cor 6
		035 ó 039	Cor 7
		040 ó 044	Cor 8
		045 ó 049	Cor 9
		050 ó 054	Cor 10
		055 ó 059	Cor 11
		060 ó 064	Cor 12
		065 ó 069	Cor 13
		070 ó 074	Cor 14
		075 ó 079	Cor 15
		080 ó 084	Cor 16
		085 ó 089	Cor 17
		090 ó 094	Cor 18
		095 ó 099	Cor 19
		100 ó 104	Cor 20
		105 ó 109	Cor 21
		110 ó 114	Cor 22
		115 ó 119	Cor 23
		120 ó 124	Cor 24
		125 ó 129	Cor 25
		130 ó 134	Cor 26
		135 ó 139	Cor 27
		140 ó 144	Cor 28
145 ó 149	Cor 29		
150 ó 154	Cor 30		
155 ó 159	Cor 31		
160 ó 164	Cor 32		
165 ó 169	Cor 33		
170 ó 174	Cor 34		
175 ó 179	Sem função		
180 ó 201	Alteração da cor para a direita (rápido para lento)		
202 ó 207	Paragem (cor permanece na cor atual)		
208 ó 229	Alteração da cor para a esquerda (lento para rápido)		
230 ó 234	Sem função		
235 ó 249	Avanço da cor (rápido para lento)		
250 ó 255	Cores de activação de som		

Valores DMX (cont.)

29 Canais
(cont.)

Canal	Função	Valor	Porcentagem/Definição
23	Controlo Integrado	000 ó 015	Sem função
		016 ó 031	Zona macro 1
		032 ó 047	Zona macro 2
		048 ó 063	Zona macro 3
		064 ó 079	Zona macro 4
		080 ó 095	Zona macro 5
		096 ó 111	Zona macro 6
		112 ó 127	Integrado 7 (zona de macros 1—6)
		128 ó 143	Integrado 8
		144 ó 159	Integrado 9
		160 ó 175	Integrado 10
		176 ó 191	Integrado 11
		192 ó 207	Integrado 12
		208 ó 223	Integrado 13
		224 ó 239	Integrado 14
240 ó 255	Integrado 15 (integrado 8—14)		
24	Velocidade Integrada	000 ó 255	Zonas e velocidade integrada (lento para rápido)
25	Regulador da Intensidade da Luz	000 ó 255	0 a 100%
26	Obturador	000 ó 019	Fechado
		020 ó 024	Aberto
		025 ó 064	Efeito do sinal de validação (diminuição da velocidade)
		065 ó 069	Aberto
		070 ó 084	Rápido ligado, lento desligado (diminuição da velocidade)
		085 ó 089	Aberto
		090 ó 104	Lento ligado, rápido desligado (diminuição da velocidade)
		105 ó 109	Aberto
		110 ó 124	Obturador aleatório (diminuição da velocidade)
		125 ó 129	Aberto
		130 ó 144	Rápido aleatório ligado, lento desligado (diminuição da velocidade)
		145 ó 149	Aberto
		150 ó 164	Lento aleatório ligado, rápido desligado (diminuição da velocidade)
		165 ó 169	Aberto
		170 ó 184	Efeito de impulsos 1 (diminuição de velocidade)
		185 ó 189	Aberto
		190 ó 204	Efeito de impulsos 2 (diminuição de velocidade)
		205 ó 209	Aberto
		210 ó 224	Gradualmente ligado e desligado (diminuição da velocidade)
		225 ó 229	Aberto
		230 ó 244	Efeito de impulsos 3 (diminuição de velocidade)
245 ó 255	Aberto		

Valores DMX (cont.)

29 Canais (cont.)	Canal	Função	Valor	Porcentagem/Definição			
27	27	Zoom	000 ó 255	Aproximação e afastamento			
			000 ó 009	Sem função			
			010 ó 014	Indisponíveis durante o deslocamento panorâmico/inclinação			
			015 ó 049	Sem função			
			050 ó 054	Repor deslocamento panorâmico			
			055 ó 059	Repor inclinação			
			060 ó 064	Redefinir zoom			
			065 ó 069	Sem função			
			070 ó 074	Repor tudo			
			075 ó 079	Sem função			
			080 ó 084	Inclinação/deslocamento panorâmico inverso			
			085 ó 089	Deslocamento panorâmico inverso			
			090 ó 094	Inclinação inversa			
			095 ó 099	Cancelar deslocamento panorâmico inverso			
			100 ó 104	Cancelar inclinação inversa			
28	28	Funções de Controlo	105 ó 109	Cancelar inclinação/deslocamento panorâmico inverso			
			110 ó 114	Velocidade normal de deslocamento panorâmico/inclinação			
			115 ó 119	Velocidade rápida de deslocamento panorâmico/inclinação			
			120 ó 124	Velocidade lenta de deslocamento panorâmico/inclinação			
			125 ó 129	Ventoinha (velocidade máxima)			
			130 ó 134	Ventoinha (automático)			
			135 ó 139	Regulador de intensidade, rápido			
			140 ó 144	Regulador da intensidade, suave			
			145 ó 255	Sem função			
			29	29	Macros de Movimento	000 ó 007	Sem função
						008 ó 023	Macro 1 de movimento automático
						024 ó 039	Macro 2 de movimento automático
						040 ó 055	Macro 3 de movimento automático
						056 ó 071	Macro 4 de movimento automático
						072 ó 087	Macro 5 de movimento automático
088 ó 103	Macro 6 de movimento automático						
104 ó 119	Macro 7 de movimento automático						
120 ó 135	Macro 8 de movimento automático						
136 ó 151	Macro 1 de movimento com activação de som						
152 ó 167	Macro 2 de movimento com activação de som						
168 ó 183	Macro 3 de movimento com activação de som						
184 ó 199	Macro 4 de movimento com activação de som						
200 ó 215	Macro 5 de movimento com activação de som						
216 ó 231	Macro 6 de movimento com activação de som						
232 ó 247	Macro 7 de movimento com activação de som						
248 ó 255	Macro 8 de movimento com activação de som						

Valores DMX (cont.)

14 Canais

Canal	Função	Valor	Porcentagem/Definição
1	Deslocamento Panorâmico	000 ó 255	0 a 540°
2	Inclinação	000 ó 255	0 a 270°
3	Velocidade	000 ó 255	Velocidade da inclinação/deslocamento panorâmico (rápido a lento)
4	Vermelho	000 ó 255	0 a 100%
5	Verde	000 ó 255	0 a 100%
6	Azule	000 ó 255	0 a 100%
7	Branco	000 ó 255	0 a 100%
8	Controlo Integrado	000 ó 015	Sem função
		016 ó 031	Zona macro 1
		032 ó 047	Zona macro 2
		048 ó 063	Zona macro 3
		064 ó 079	Zona macro 4
		080 ó 095	Zona macro 5
		096 ó 111	Zona macro 6
		112 ó 127	Integrado 7 (zona de macros 1—6)
		128 ó 143	Integrado 8
		144 ó 159	Integrado 9
		160 ó 175	Integrado 10
		176 ó 191	Integrado 11
		192 ó 207	Integrado 12
		208 ó 223	Integrado 13
224 ó 239	Integrado 14		
240 ó 255	Integrado 15 (integrado 8—14)		
9	Velocidade Integrada	000 ó 255	Zonas e velocidade integrada (lento para rápido)
10	Regulador da Intensidade da Luz	000 ó 255	0 a 100%

Valores DMX (cont.)

14 Canais (cont.)	Canal	Função	Valor	Porcentagem/Definição
11	11	Obturador	000 ó 019	Fechado
			020 ó 024	Aberto
			025 ó 064	Efeito do sinal de validação (diminuição da velocidade)
			065 ó 069	Aberto
			070 ó 084	Rápido ligado, lento desligado (diminuição da velocidade)
			085 ó 089	Aberto
			090 ó 104	Lento ligado, rápido desligado (diminuição da velocidade)
			105 ó 109	Aberto
			110 ó 124	Obturador aleatório (diminuição da velocidade)
			125 ó 129	Aberto
			130 ó 144	Rápido aleatório ligado, lento desligado (diminuição da velocidade)
			145 ó 149	Aberto
			150 ó 164	Lento aleatório ligado, rápido desligado (diminuição da velocidade)
			165 ó 169	Aberto
			170 ó 184	Efeito de impulsos 1 (diminuição de velocidade)
			185 ó 189	Aberto
			190 ó 204	Efeito de impulsos 2 (diminuição de velocidade)
			205 ó 209	Aberto
			210 ó 224	Gradualmente ligado e desligado (diminuição da velocidade)
			225 ó 229	Aberto
230 ó 244	Efeito de impulsos 3 (diminuição de velocidade)			
245 ó 255	Aberto			
12	12	Zoom	000 ó 255	Aproximação e afastamento

Valores DMX (cont.)

14 Canais
(cont.)

Canal	Função	Valor	Porcentagem/Definição
13	Funções de Controlo	000 ó 009	Sem função
		010 ó 014	Indisponíveis durante o deslocamento panorâmico/inclinação
		015 ó 049	Sem função
		050 ó 054	Repor deslocamento panorâmico
		055 ó 059	Repor inclinação
		060 ó 064	Redefinir zoom
		065 ó 069	Sem função
		070 ó 074	Repor tudo
		075 ó 079	Sem função
		080 ó 084	Inclinação/deslocamento panorâmico inverso
		085 ó 089	Deslocamento panorâmico inverso
		090 ó 094	Inclinação inversa
		095 ó 099	Cancelar deslocamento panorâmico inverso
		100 ó 104	Cancelar inclinação inversa
		105 ó 109	Cancelar inclinação/deslocamento panorâmico inverso
		110 ó 114	Velocidade normal de deslocamento panorâmico/inclinação
		115 ó 119	Velocidade rápida de deslocamento panorâmico/inclinação
		120 ó 124	Velocidade lenta de deslocamento panorâmico/inclinação
		125 ó 129	Ventoinha (velocidade máxima)
		130 ó 134	Ventoinha (automático)
135 ó 139	Regulador de intensidade, rápido		
140 ó 144	Regulador da intensidade, suave		
145 ó 255	Sem função		
14	Macros de Movimento	000 ó 007	Sem função
		008 ó 023	Macro 1 de movimento automático
		024 ó 039	Macro 2 de movimento automático
		040 ó 055	Macro 3 de movimento automático
		056 ó 071	Macro 4 de movimento automático
		072 ó 087	Macro 5 de movimento automático
		088 ó 103	Macro 6 de movimento automático
		104 ó 119	Macro 7 de movimento automático
		120 ó 135	Macro 8 de movimento automático
		136 ó 151	Macro 1 de movimento com activação de som
		152 ó 167	Macro 2 de movimento com activação de som
		168 ó 183	Macro 3 de movimento com activação de som
		184 ó 199	Macro 4 de movimento com activação de som
		200 ó 215	Macro 5 de movimento com activação de som
		216 ó 231	Macro 6 de movimento com activação de som
		232 ó 247	Macro 7 de movimento com activação de som
		248 ó 255	Macro 8 de movimento com activação de som

Informazioni sulla Guida

La Guida Rapida di Intimidator™ Wash Zoom 350 IRC contiene informazioni di base sul prodotto quali montaggio, opzioni menù e valori DMX. Per maggiori dettagli, scaricare il Manuale Utente dal sito www.chauvetlighting.com.

Esclusione di Responsabilità

Le informazioni e le specifiche contenute in questa guida possono essere modificate senza preavviso.

Note di Sicurezza

Le Note di Sicurezza includono informazioni importanti circa il montaggio, l'uso e la manutenzione.



- Questa apparecchiatura non è progettata per installazione permanente.
- Collegare questa unità SOLTANTO ad un circuito dotato di messa a terra e protetto.
- Prima di effettuare la pulizia o sostituire il fusibile, scollegare sempre l'unità dall'alimentazione elettrica.
- NON guardare la sorgente luminosa quando l'unità è in funzione.
- Assicurarsi che il cavo di alimentazione non sia piegato o danneggiato.
- Non scollegare mai questa apparecchiatura dall'alimentazione elettrica tirando o stratonando il cavo.
- Per il montaggio in alto dell'unità utilizzare SEMPRE un cavo di sicurezza.
- NON collocare materiale infiammabile vicino all'unità mentre è in funzione.
- NON toccare l'unità durante il funzionamento perché potrebbe essere molto calda.



- La tensione della presa a muro cui si collega l'apparecchiatura deve trovarsi entro il campo specificato sull'etichetta o sul pannello posteriore.
- Questa apparecchiatura deve essere utilizzata soltanto in interni (IP20)! Per evitare il rischio di incendio o di folgorazione non esporre l'apparecchiatura alla pioggia o all'umidità.
- Montare sempre l'unità in posizione ben ventilata, ad almeno 50 cm. (20") da qualsiasi superficie.
- Assicurarsi che nessuna apertura di ventilazione dell'unità sia ostruita.
- Non collegare mai ad un dimmer o ad un reostato
- Sostituire il fusibile con un altro dello stesso tipo e classe.
- Trasportare l'unità SOLTANTO dalla maniglie o morsetto di montaggio.
- Massima temperatura ambiente ammessa: 40 °C (104 °F). Non utilizzare l'apparecchiatura a temperature superiori.
- In caso di gravi problemi di funzionamento sospendere immediatamente l'utilizzo.
- NON aprire l'unità. Non contiene parti riparabili dall'utente.
- Per evitare un consumo inutile ed aumentare la durata, durante i periodi di non utilizzo disconnettere completamente il prodotto dall'alimentazione con l'interruttore o scollegando il cavo.

Contatti

Per richiedere assistenza o restituire l'apparecchiatura, al di fuori di Stati Uniti, Regno Unito, Irlanda, Messico o Benelux, contattare il distributore locale. Per informazioni sui contatti, visitare il sito Web www.chauvetlighting.com.

Che Cosa è Incluso

- Intimidator™ Wash Zoom 350 IRC
- Scheda di Garanzia
- Cavo di Alimentazione
- Guida Rapida
- Adattatore Filettatura

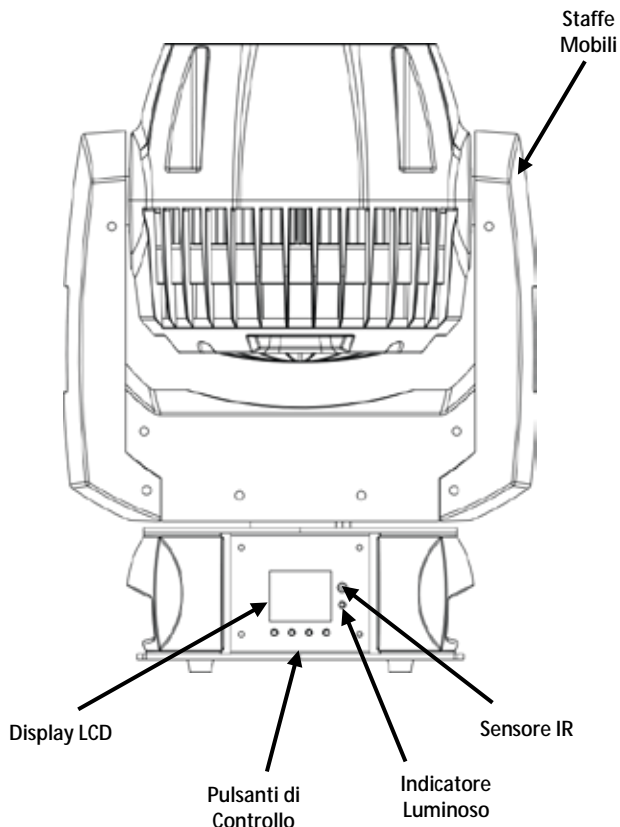
Per Iniziare

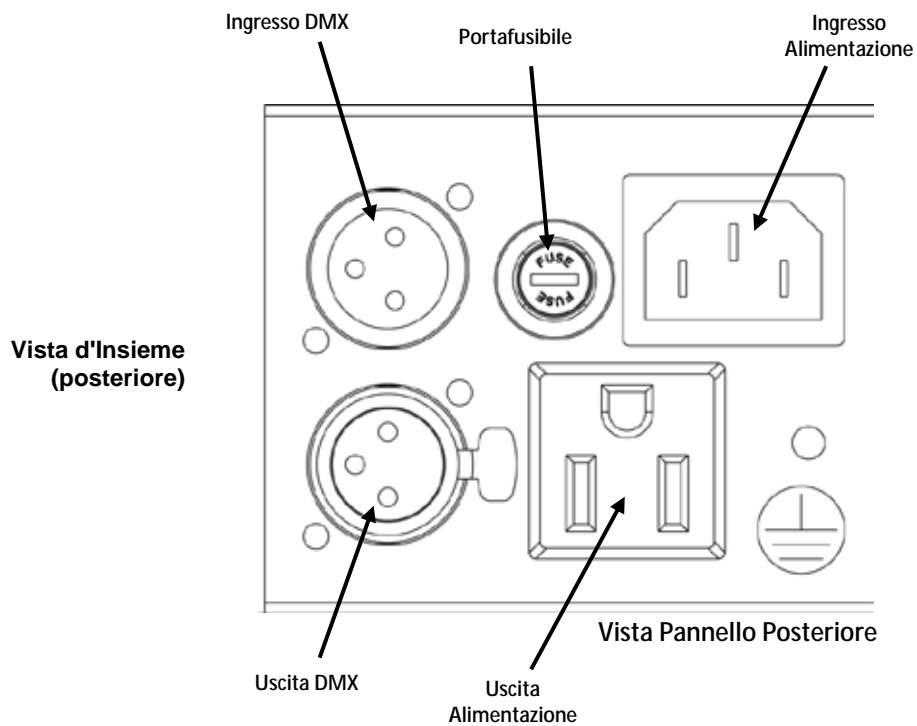
Disimballare Intimidator™ Wash Zoom 350 IRC ed accertarsi di aver ricevuto tutti i componenti integri. Se l'imballo appare danneggiato, farlo immediatamente presente al trasportatore e non a Chauvet.

Descrizione

Intimidator™ Wash Zoom 350 IRC è un versatile proiettore compatto a testa mobile con LED RGBW quad color da 20 W. Lo zoom motorizzato consente applicazioni short-throw o long-throw. Navigazione semplice e visualizzazione del testo completo grazie allo schermo LCD full-color a contrasto elevato. Possibilità di generare show sincronizzati in modalità master/slave grazie ai programmi automatizzati integrati di facile accesso. Il telecomando IRC-6 opzionale di Chauvet offre un comodo controllo wireless non DMX. Intimidator™ Wash Zoom 350 IRC è adatto alla borsa CHS-50 VIP di Chauvet.

Vista d'Insieme





Alimentazione Questa apparecchiatura è dotata di alimentatore a commutazione automatica con tensione in ingresso di 100-240 V CA - 50/60 Hz.

CA



Per evitare un consumo inutile ed aumentare la durata, durante i periodi di non utilizzo disconnettere completamente il prodotto dall'alimentazione con l'interruttore o scollegando il cavo.

Collegamento Per il numero massimo di apparecchiature che è possibile collegare su ciascuna presa elettrica fare riferimento alle note riportate sull'etichetta apposta sul prodotto o al Manuale Utente.

- Sostituzione Fusibile**
1. Scollegare l'unità dall'alimentazione elettrica.
 2. Utilizzando un giravite a testa piatta, allentare il portafusibile e tirarlo verso l'esterno.
 3. Rimuovere il fusibile bruciato e sostituirlo con uno identico.
 4. Reinscrivere il portafusibile e ricollegare l'alimentazione elettrica.

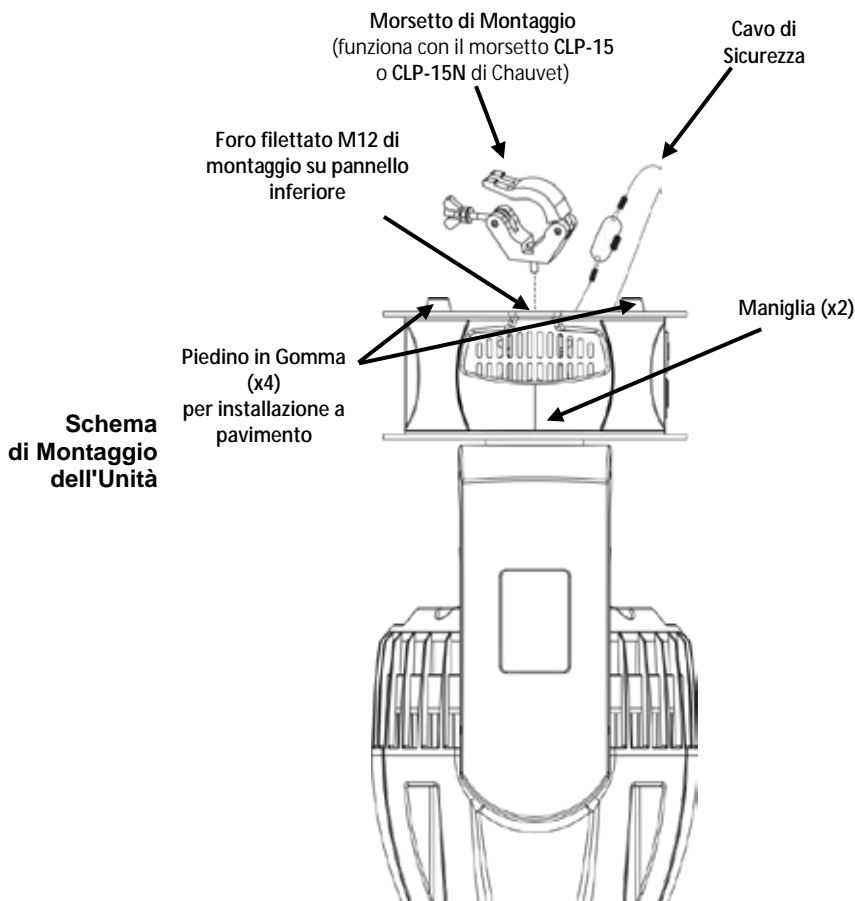
Telecomando a Infrarossi (IRC-6) Intimidator™ Wash Zoom 350 IRC è compatibile con il telecomando a infrarossi IRC-6 di Chauvet.

Con Intimidator™ Wash 350 IRC, vengono utilizzati i seguenti pulsanti del telecomando IRC-6:

- **<BLACKOUT>** - attiva e disattiva il LED
- **<AUTO>** - seleziona la modalità di programma automatico
- **<SOUND>** - seleziona la modalità Attivazione sonora
- **<STROBE>** - attiva lo strobo (0–20 Hz)
- **<SPEED>** - velocità programma automatico
- **<SENSITIVITY>** - seleziona la sensibilità sonora
- **<%>** - dimmer
- **<MANUAL>** - controllo manuale del LED Bianco
- **<FADE/SNAP>** - cambio colore
- **<R>** - controllo manuale del LED Rosso
- **<G>** - controllo manuale del LED Verde
- **** - controllo manuale del LED Blu
- **<+>** - otturatore/dimmer/sensibilità/velocità di rotazione e brandeggio e aumento macro
- **<->** - otturatore/dimmer/sensibilità/velocità di rotazione e brandeggio e diminuzione macro
- Da **<0>** a **<9>** - movimenti macro di rotazione/brandeggio

Montaggio

Prima di montare l'unità, leggere le [Note di Sicurezza](#).



L'adattatore filettato incluso riduce il foro alla misura M10. La dimensione M10 è adatta al morsetto CLP-10 di Chauvet.



Quando per il montaggio di questa apparecchiatura si utilizza un solo morsetto, è necessario utilizzare un morsetto con prigioniero per evitare che si allenti accidentalmente.

Descrizione del Pannello di Controllo

Pulsante	Funzione
<MENU>	Consente di uscire dal menù o dalla funzione corrente
<UP>	Consente di spostarsi verso l'alto nell'elenco menù e di aumentare il valore numerico all'interno di una funzione
<DOWN>	Consente di spostarsi verso il basso nell'elenco menù e di diminuire il valore numerico all'interno di una funzione
<ENTER>	Consente di attivare il menù visualizzato o impostare il valore selezionato nella funzione selezionata

Opzioni del Menù

Modalità	Livelli di Programmazione		Descrizione
Address	001–512		Imposta l'indirizzo DMX iniziale
Run Mode	DMX	14CH	Seleziona la modalità DMX
		29CH	
	Auto	Auto01—Auto16	Seleziona il programma auto
		Sound	Seleziona la modalità Attivazione sonora
	Slave		Seleziona la modalità Slave
	IR		Seleziona il controllo a infrarossi
Setup	Pan Reverse	OFF	Funzionamento in rotazione normale
		ON	Funzionamento in rotazione inversa
	Tilt Reverse	OFF	Funzionamento in brandeggio normale
		ON	Funzionamento in brandeggio inverso
	Pan Angle	540	Seleziona il campo di rotazione di 540°
		360	Seleziona il campo di rotazione di 360°
		180	Seleziona il campo di rotazione di 180°
	Tilt Angle	270	Seleziona il campo di brandeggio di 270°
		180	Seleziona il campo di brandeggio di 180°
		90	Seleziona il campo di brandeggio di 90°
	P/T Speed	Normal	Seleziona la velocità di rotazione/brandeggio
		Fast	
		Slow	
	Fans	Auto	Imposta la velocità della ventola in base alla temperatura
		Full	Velocità impostata al massimo
	Display	OFF	Retroilluminazione del display disattivata dopo un certo periodo di inattività
		ON	Retroilluminazione del display sempre attiva
	Screen Rev	OFF	Display normale
		ON	Display inverso
	Dimmer Curve	Square	Seleziona la modalità di curva dimmer
		I Squa	
SCurve			
Linear			
Dimmer Speed	Fast	Seleziona la velocità dimmer	
	Smooth		
Color Balance	RED	Seleziona il bilanciamento colore (da 100 a 255)	
	GREEN		
	BLUE		
	WHITE		
Sensitivity	001—100	Imposta la sensibilità sonora	
Reset		Reimposta l'unità	
Factory Set		Carica le impostazioni predefinite di fabbrica	

Opzioni del Menù (continua)

Modalità	Livelli di Programmazione	Descrizione
Sys Info	Ver VX	Visualizza la versione del software
	Running Mode XXXXX	Visualizza la modalità di esecuzione corrente
	DMX Address XXX	Visualizza l'indirizzo DMX corrente
	Temperature XXX	Visualizza la temperatura LED in gradi Celsius

Collegamento DMX Intimidator™ Wash Zoom 350 IRC può funzionare con un controller DMX quando collegato tramite connessioni seriali DMX. Le istruzioni per il collegamento e la configurazione di questa unità sono contenute nel Manuale Utente. Se non si ha familiarità con il DMX, scaricare DMX Primer dal sito www.chauvetlighting.com.

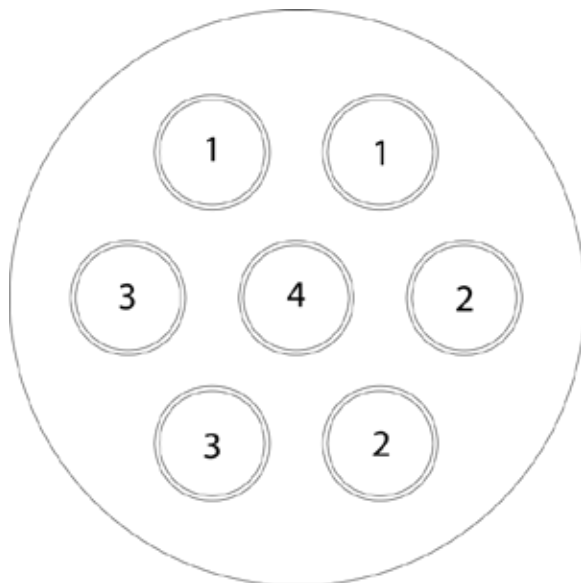
Indirizzo Iniziale Per assicurare il completo accesso a tutti i canali in ciascuna modalità DMX, l'indirizzo maggiormente raccomandato è **484**.

Collegamento Master/Slave In modalità Master/Slave, Intimidator™ Wash Zoom 350 IRC utilizza il collegamento dati DMX. Le istruzioni per il collegamento e la configurazione di questa unità per il funzionamento Master/Slave sono contenute nel Manuale Utente.

Valori DMX

29CH	Canale	Funzione	Valore	Percentuale/Impostazione	
	1	Rotazione	000 ó 255	Da 0 a 540°	
	2	Rotazione fine	000 ó 255	Controllo fine della rotazione	
	3	Brandeggio	000 ó 255	Da 0 a 270°	
	4	Brandeggio fine	000 ó 255	Controllo fine del brandeggio	
	5	Velocità	000 ó 255	Velocità rotazione/brandeggio (da rapida a lenta)	
	6	Rosso	000 ó 255	Da 0 a 100%	Zona 1
	7	Verde	000 ó 255	Da 0 a 100%	
	8	Blu	000 ó 255	Da 0 a 100%	
	9	Bianco	000 ó 255	Da 0 a 100%	
	10	Rosso	000 ó 255	Da 0 a 100%	Zona 2
	11	Verde	000 ó 255	Da 0 a 100%	
	12	Blu	000 ó 255	Da 0 a 100%	
	13	Bianco	000 ó 255	Da 0 a 100%	Zona 3
	14	Rosso	000 ó 255	Da 0 a 100%	
	15	Verde	000 ó 255	Da 0 a 100%	
	16	Blu	000 ó 255	Da 0 a 100%	
	17	Bianco	000 ó 255	Da 0 a 100%	Zona 4
	18	Rosso	000 ó 255	Da 0 a 100%	
	19	Verde	000 ó 255	Da 0 a 100%	
	20	Blu	000 ó 255	Da 0 a 100%	
	21	Bianco	000 ó 255	Da 0 a 100%	

Zone di Controllo Intimidator™ Wash Zoom 350 IRC



Valori DMX (continua)

29CH (cont.)	Canale	Funzione	Valore	Percentuale/Impostazione
			000 ó 004	Nessuna funzione
			005 ó 009	Colore 1
			010 ó 014	Colore 2
			015 ó 019	Colore 3
			020 ó 024	Colore 4
			025 ó 029	Colore 5
			030 ó 034	Colore 6
			035 ó 039	Colore 7
			040 ó 044	Colore 8
			045 ó 049	Colore 9
			050 ó 054	Colore 10
			055 ó 059	Colore 11
			060 ó 064	Colore 12
			065 ó 069	Colore 13
			070 ó 074	Colore 14
			075 ó 079	Colore 15
			080 ó 084	Colore 16
			085 ó 089	Colore 17
			090 ó 094	Colore 18
			095 ó 099	Colore 19
			100 ó 104	Colore 20
			105 ó 109	Colore 21
22	Colori		110 ó 114	Colore 22
			115 ó 119	Colore 23
			120 ó 124	Colore 24
			125 ó 129	Colore 25
			130 ó 134	Colore 26
			135 ó 139	Colore 27
			140 ó 144	Colore 28
			145 ó 149	Colore 29
			150 ó 154	Colore 30
			155 ó 159	Colore 31
			160 ó 164	Colore 32
			165 ó 169	Colore 33
			170 ó 174	Colore 34
			175 ó 179	Nessuna funzione
			180 ó 201	Cambio colore in senso orario (veloce a lento)
			202 ó 207	Interruzione (colore rimane nel colore corrente)
			208 ó 229	Cambio colore in senso anti-orario (lento a veloce)
			230 ó 234	Nessuna funzione
			235 ó 249	Salto colore (veloce a lento)
			250 ó 255	Colori ad Attivazione sonora

Valori DMX (continua)

29CH (cont.)	Canale	Funzione	Valore	Percentuale/Impostazione
23	Controllo Integrato	000 ó 015	Nessuna funzione	
		016 ó 031	Zona macro 1	
		032 ó 047	Zona macro 2	
		048 ó 063	Zona macro 3	
		064 ó 079	Zona macro 4	
		080 ó 095	Zona macro 5	
		096 ó 111	Zona macro 6	
		112 ó 127	Integrata 7 (zona macro 1-6)	
		128 ó 143	Integrata 8	
		144 ó 159	Integrata 9	
		160 ó 175	Integrata 10	
		176 ó 191	Integrata 11	
		192 ó 207	Integrata 12	
		208 ó 223	Integrata 13	
		224 ó 239	Integrata 14	
240 ó 255	Integrata 15 (integrata 8-14)			
24	Velocità Integrata	000 ó 255	Zone e velocità integrate (da lenta a veloce)	
25	Dimmer	000 ó 255	Da 0 a 100%	
26	Otturatore	000 ó 019	Chiuso	
		020 ó 024	Aperto	
		025 ó 064	Effetto stroboscopio (velocità decrescente)	
		065 ó 069	Aperto	
		070 ó 084	Veloce attivo, lento disattivo (velocità decrescente)	
		085 ó 089	Aperto	
		090 ó 104	Lento attivo, veloce disattivo (velocità decrescente)	
		105 ó 109	Aperto	
		110 ó 124	Otturatore casuale (velocità decrescente)	
		125 ó 129	Aperto	
		130 ó 144	Veloce casuale attivo, lento disattivo (velocità decrescente)	
		145 ó 149	Aperto	
		150 ó 164	Lento casuale attivo, veloce disattivo (velocità decrescente)	
		165 ó 169	Aperto	
		170 ó 184	Effetto impulso 1 (velocità decrescente)	
		185 ó 189	Aperto	
		190 ó 204	Effetto impulso 2 (velocità decrescente)	
		205 ó 209	Aperto	
		210 ó 224	Attivazione e disattivazione graduale (velocità decrescente)	
		225 ó 229	Aperto	
230 ó 244	Effetto impulso 3 (velocità decrescente)			
245 ó 255	Aperto			
27	Zoom	000 ó 255	Focalizzazione e allargamento	

Valori DMX (continua)

29CH (cont.)	Canale	Funzione	Valore	Percentuale/Impostazione
28		Funzioni di Controllo	000 ○ 009	Nessuna funzione
			010 ○ 014	Oscuramento durante rotazione/brandeggio
			015 ○ 049	Nessuna funzione
			050 ○ 054	Reimpostazione rotazione
			055 ○ 059	Reimpostazione brandeggio
			060 ○ 064	Repristina zoom
			065 ○ 069	Nessuna funzione
			070 ○ 074	Reimpostazione generale
			075 ○ 079	Nessuna funzione
			080 ○ 084	Rotazione/brandeggio inversi
			085 ○ 089	Rotazione inversa
			090 ○ 094	Brandeggio inverso
			095 ○ 099	Cancella rotazione inversa
			100 ○ 104	Cancella brandeggio inversi
			105 ○ 109	Cancella rotazione/brandeggio inversi
			110 ○ 114	Movimento rotazione/brandeggio normale
			115 ○ 119	Movimento rotazione/brandeggio veloce
			120 ○ 124	Movimento rotazione/brandeggio lento
			125 ○ 129	Ventola (massima velocità)
130 ○ 134	Ventola (automatica)			
135 ○ 139	Dimmer, veloce			
140 ○ 144	Dimmer, morbido			
145 ○ 255	Nessuna funzione			
29		Macro di Movimento	000 ○ 007	Nessuna funzione
			008 ○ 023	Macro di movimento automatico 1
			024 ○ 039	Macro di movimento automatico 2
			040 ○ 055	Macro di movimento automatico 3
			056 ○ 071	Macro di movimento automatico 4
			072 ○ 087	Macro di movimento automatico 5
			088 ○ 103	Macro di movimento automatico 6
			104 ○ 119	Macro di movimento automatico 7
			120 ○ 135	Macro di movimento automatico 8
			136 ○ 151	Macro di movimento ad Attivazione sonora 1
			152 ○ 167	Macro di movimento ad Attivazione sonora 2
			168 ○ 183	Macro di movimento ad Attivazione sonora 3
			184 ○ 199	Macro di movimento ad Attivazione sonora 4
			200 ○ 215	Macro di movimento ad Attivazione sonora 5
			216 ○ 231	Macro di movimento ad Attivazione sonora 6
			232 ○ 247	Macro di movimento ad Attivazione sonora 7
			248 ○ 255	Macro di movimento ad Attivazione sonora 8

Valori DMX (continua)

14CH	Canale	Funzione	Valore	Percentuale/Impostazione
	1	Rotazione	000 ó 255	Da 0 a 540°
	2	Brandeggio	000 ó 255	Da 0 a 270°
	3	Velocità	000 ó 255	Velocità rotazione/brandeggio (da rapida a lenta)
	4	Rosso	000 ó 255	0 to 100%
	5	Verde	000 ó 255	0 to 100%
	6	Blu	000 ó 255	0 to 100%
	7	Bianco	000 ó 255	0 to 100%
	8	Controllo Integrato	000 ó 015	Nessuna funzione
			016 ó 031	Zona macro 1
			032 ó 047	Zona macro 2
			048 ó 063	Zona macro 3
			064 ó 079	Zona macro 4
			080 ó 095	Zona macro 5
			096 ó 111	Zona macro 6
			112 ó 127	Integrata 7 (zona macro 1-6)
			128 ó 143	Integrata 8
			144 ó 159	Integrata 9
			160 ó 175	Integrata 10
			176 ó 191	Integrata 11
			192 ó 207	Integrata 12
	208 ó 223	Integrata 13		
	224 ó 239	Integrata 14		
	240 ó 255	Integrata 15 (integrata 8-14)		
	9	Velocità Integrata	000 ó 255	Zone e velocità integrate (da lenta a veloce)
	10	Dimmer	000 ó 255	Da 0 a 100%

Valori DMX (continua)

14CH (cont.)	Canale	Funzione	Valore	Percentuale/Impostazione
11		Otturatore	000 ○ 019	Chiuso
			020 ○ 024	Aperto
			025 ○ 064	Effetto stroboscopio (velocità decrescente)
			065 ○ 069	Aperto
			070 ○ 084	Veloce attivo, lento disattivo (velocità decrescente)
			085 ○ 089	Aperto
			090 ○ 104	Lento attivo, veloce disattivo (velocità decrescente)
			105 ○ 109	Aperto
			110 ○ 124	Otturatore casuale (velocità decrescente)
			125 ○ 129	Aperto
			130 ○ 144	Veloce casuale attivo, lento disattivo (velocità decrescente)
			145 ○ 149	Aperto
			150 ○ 164	Lento casuale attivo, veloce disattivo (velocità decrescente)
			165 ○ 169	Aperto
			170 ○ 184	Effetto impulso 1 (velocità decrescente)
			185 ○ 189	Aperto
			190 ○ 204	Effetto impulso 2 (velocità decrescente)
			205 ○ 209	Aperto
210 ○ 224	Attivazione e disattivazione graduale (velocità decrescente)			
225 ○ 229	Aperto			
230 ○ 244	Effetto impulso 3 (velocità decrescente)			
245 ○ 255	Aperto			
12	Zoom		000 ○ 255	Focalizzazione e allargamento

Valori DMX (continua)

14CH (cont.)	Canale	Funzione	Valore	Percentuale/Impostazione
13	13	Funzioni di Controllo	000 ó 009	Nessuna funzione
			010 ó 014	Oscuramento durante rotazione/brandeggio
			015 ó 049	Nessuna funzione
			050 ó 054	Reimpostazione rotazione
			055 ó 059	Reimpostazione brandeggio
			060 ó 064	Repristina zoom
			065 ó 069	Nessuna funzione
			070 ó 074	Reimpostazione generale
			075 ó 079	Nessuna funzione
			080 ó 084	Rotazione/brandeggio inversi
			085 ó 089	Rotazione inversa
			090 ó 094	Brandeggio inverso
			095 ó 099	Cancella rotazione inversa
			100 ó 104	Cancella brandeggio inverso
			105 ó 109	Cancella rotazione/brandeggio inversi
			110 ó 114	Movimento rotazione/brandeggio normale
			115 ó 119	Movimento rotazione/brandeggio veloce
			120 ó 124	Movimento rotazione/brandeggio lento
			125 ó 129	Ventola (massima velocità)
			130 ó 134	Ventola (automatica)
14	14	Macro di Movimento	000 ó 007	Nessuna funzione
			008 ó 023	Macro di movimento automatico 1
			024 ó 039	Macro di movimento automatico 2
			040 ó 055	Macro di movimento automatico 3
			056 ó 071	Macro di movimento automatico 4
			072 ó 087	Macro di movimento automatico 5
			088 ó 103	Macro di movimento automatico 6
			104 ó 119	Macro di movimento automatico 7
			120 ó 135	Macro di movimento automatico 8
			136 ó 151	Macro di movimento ad Attivazione sonora 1
			152 ó 167	Macro di movimento ad Attivazione sonora 2
			168 ó 183	Macro di movimento ad Attivazione sonora 3
			184 ó 199	Macro di movimento ad Attivazione sonora 4
			200 ó 215	Macro di movimento ad Attivazione sonora 5
			216 ó 231	Macro di movimento ad Attivazione sonora 6
			232 ó 247	Macro di movimento ad Attivazione sonora 7
248 ó 255	Macro di movimento ad Attivazione sonora 8			

O Przewodniku Intimidator™ Wash Zoom 350 IRC Quick Reference Guide (QRG) zawiera podstawowe informacje o produkcie takie jak montaż, opcje menu oraz wartości DMX. Szczegółowe informacje znajdują się w instrukcji obsługi na stronie www.chauvetlighting.com.

Oświadczenie Informacje i specyfikacje zawarte w niniejszym dokumencie (QRG) podlegają zmianie bez powiadomienia.

Wskazówki Bezpieczeństwa Poniższe wskazówki zawierają ważne informacje dotyczące montażu, użycia i konserwacji.



- Niniejszy produkt nie jest przeznaczony do stałego montażu.
- Produkt należy podłączyć JEDYNIEM do uziemionego i zabezpieczonego obwodu.
- Przed czyszczeniem lub wymianą bezpiecznika należy zawsze odłączyć produkt od zasilania.
- NIE należy patrzeć na źródło światła, gdy produkt jest włączony.
- Należy upewnić się czy przewód zasilający nie jest zagnieciony lub uszkodzony.
- Nigdy nie należy odłączać produktu od zasilania, ciągnąc lub szarpiąc za przewód zasilający.
- Podczas montażu produktu na górze należy użyć kabla bezpieczeństwa.
- NIE należy kłaść materiałów łatwopalnych w pobliżu włączonego produktu.
- NIE należy dotykać produktu, gdy jest włączony, ponieważ może być nagrany.



- Napięcie wyjścia, do którego podłączony jest produkt powinno być o wartości podanej na naklejce lub panelu tylnym produktu.
- Produkt jest przeznaczony jedynie do obsługi w pomieszczeniach zamkniętych! (IP20) Aby uniknąć ryzyka pożaru lub porażenia nie należy wystawiać go na działanie deszczu lub wilgoci.
- Należy zawsze montować produkt w miejscu z odpowiednią wentylacją przynajmniej 20 cali (50 cm) w odległości od przyległych powierzchni.
- Należy upewnić się czy żaden z otworów wentylacyjnych na obudowie produktu nie jest zasypany.
- Nigdy nie należy podłączać produktu do ściemniacza lub rezystora.
- Należy wymienić bezpiecznik o tej samej wartości i rodzaju.
- Używaj tylko w zestawie uchwyt montażowy lub uchwyty do przenoszenia ciężaru tego produktu.
- Maksymalna temperatura otoczenia to 104 °F (40 °C). Nie należy używać produktu w wyższych temperaturach.
- W przypadku poważnych problemów z obsługą produktu należy niezwłocznie zaprzestać jego dalszego użytkowania.
- NIE należy otwierać produktu. Produkt nie zawiera żadnych części do serwisowania przez użytkownika.
- W celu wyeliminowania niepotrzebnego zużycia oraz wydłużenia trwałości urządzenia, należy odłączyć je całkowicie od źródła zasilania poprzez przełączenie bezpiecznika lub wyciągnięcie wtyczki z gniazda zasilania w czasie, gdy urządzenie nie jest używane.

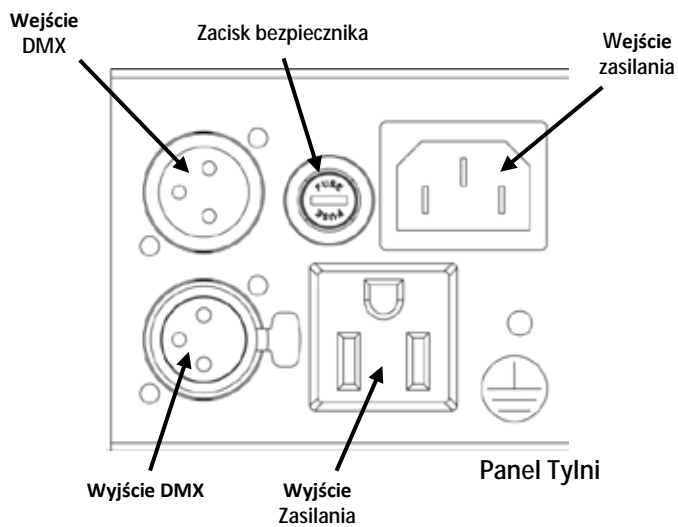
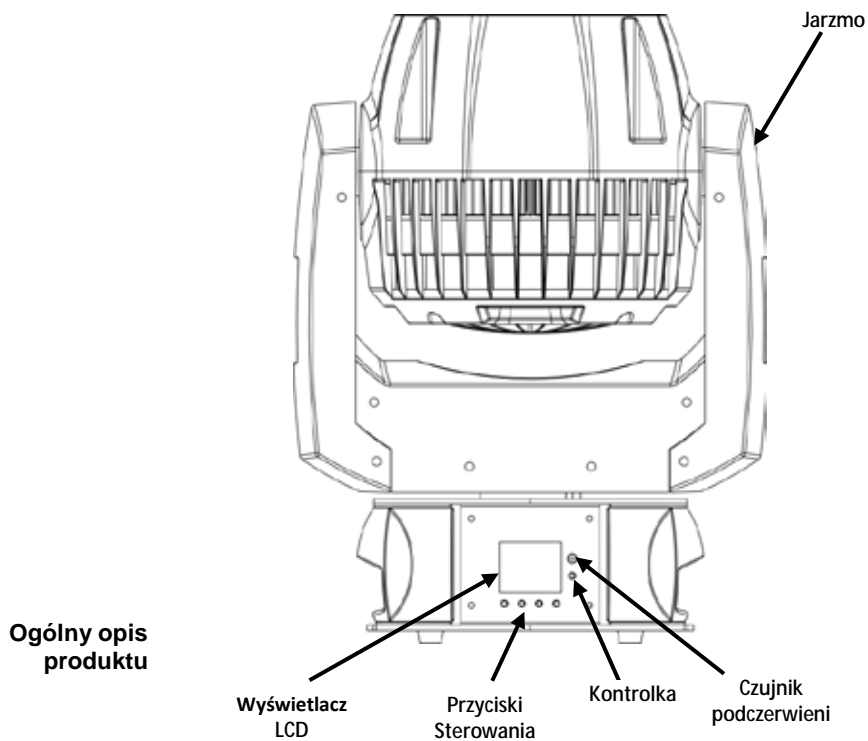
Kontakt Poza Stanami Zjednoczonymi, Zjednoczonym Królestwem, Irlandią, Meksykiem lub Benelux w celu uzyskania pomocy lub zwrotu produktu należy skontaktować się z dystrybutorem na terenie danego kraju. Dalsze informacje kontaktowe na stronie www.chauvetlighting.com.

Co Wchodzi w Skład Zestawu

- Intimidator™ Wash Zoom 350 IRC
- Karta gwarancyjna
- Przewód zasilający
- Praktyczny przewodnik
- Redukcja gwintu

Przed Montażem Należy rozpakować urządzenie Intimidator™ Wash Zoom 350 IRC oraz upewnić się, że wszystkie znajdujące się w opakowaniu części są w dobrym stanie. W przypadku, gdy opakowanie lub jego zawartość noszą ślady uszkodzenia, należy natychmiast poinformować o tym fakcie dostawcę, a nie firmę Chauvet.

Opis Intimidator™ Wash Zoom 350 IRC jest kompaktową ruchomą głowicą z wieloma funkcjami, która wyposażona jest w czterokolorowe diody LED RGBW o mocy 20 W. Elektryczny zoom pozwala na wyświetlanie obrazów zarówno z daleka jak i bliska. Bardzo łatwa nawigacja oraz pełen odczyt tekstu dzięki zastosowaniu kolorowego wyświetlacza LCD o dużym kontraście. Możliwość stworzenia zsynchronizowanego pokazu w trybie *master/slave* dzięki zainstalowanym i łatwo dostępnym programom automatycznym. Dzięki wykorzystaniu opcjonalnego pilota IRC-6 firmy Chauvet można w bardzo łatwy sposób sterować bezprzewodowo urządzeniem bez wykorzystania DMX. Intimidator™ Wash Zoom 350 IRC idealnie pasuje do torby CHS-50 VIP produkowanej przez Chauvet.



Moc AC Produkt posiada automatyczne przełączanie zakresu zasilania, które pozwala na działanie produktu przy napięciu wejściowym 100 do 240 V (prąd zmienny), 50/60 Hz.



W celu wyeliminowania niepotrzebnego zużycia oraz wydłużenia trwałości urządzenia, należy odłączyć je całkowicie od źródła zasilania poprzez przełączenie bezpiecznika lub wyciągnięcie wtyczki z gniazda zasilania w czasie, gdy urządzenie nie jest używane.

Podłączenie Produktów Przy podłączaniu maksymalnej liczby urządzeń Intimidator™ Wash Zoom 350 IRC, które można ze sobą połączyć do konkretnego napięcia, należy zapoznać się z treścią nalepki na produkcie lub instrukcją obsługi.

Wymiana Bezpiecznika

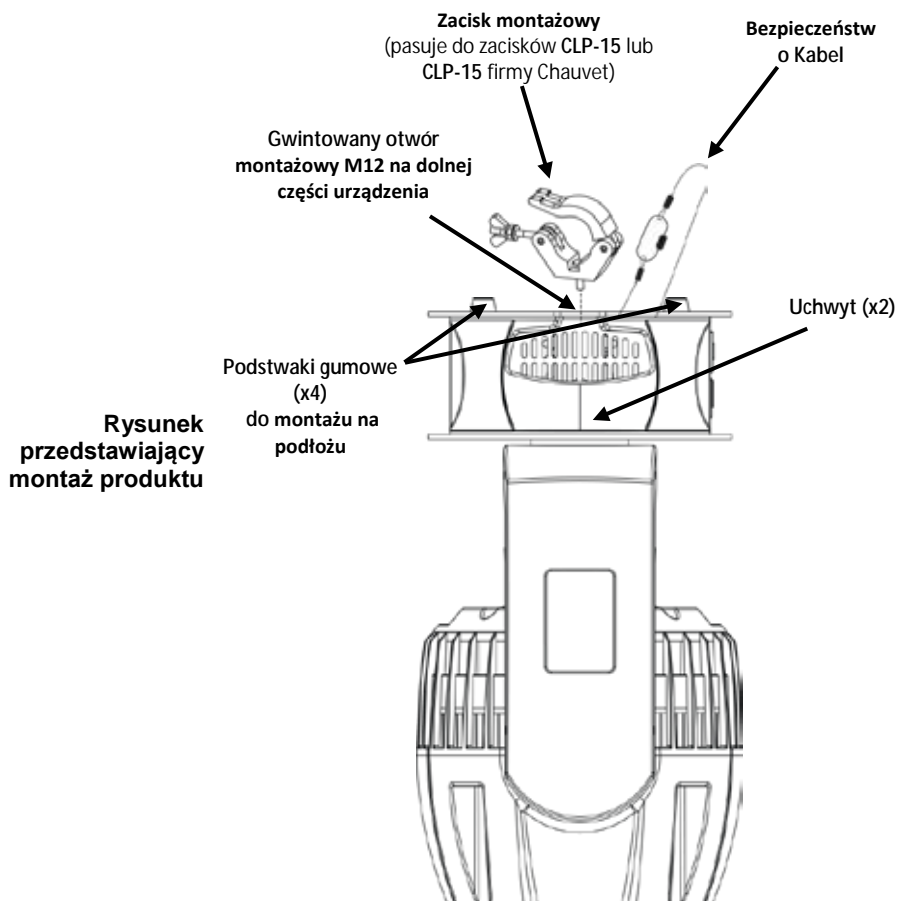
1. Odłączyć produkt od zasilania.
2. Włożyć końcówkę śrubokręta z płaską główką do otworu zacisku bezpiecznika, poluzować zacisk i pociągnąć.
3. Usunąć spalony bezpiecznik z zacisku z przodu pokrywy bezpieczeństwa i wymienić na nowy o dokładnie tym samym rodzaju i wartości.
4. Włożyć uchwyt bezpiecznika i ponownie włączyć zasilanie.

IRC-6 – sterowanie na podczerwień Intimidator™ Wash Zoom 350 IRC jest w pełni kompatybilny z pilotem IRC-6 firmy Chauvet.

Poniższe przyciski IRC-6 używane są do sterowania urządzeniem Intimidator™ Wash 350 IRC:

- <BLACKOUT> - włączanie/wyłączanie diod LED
- <AUTO> - wybór trybu programów automatycznych
- <SOUND> - wybór trybu aktywacji dźwiękiem
- <STROBE> - strobowanie (0–20 Hz)
- <SPEED> - prędkość programów automatycznych
- <SENSITIVITY> - wybór czułości reakcji na dźwięk
- <%> - ściemniacz (dimmer)
- <MANUAL> - ręczne sterowanie białą diodą LED
- <FADE/SNAP> - zmiana koloru
- <R> - ręczne sterowanie czerwoną diodą LED
- <G> - ręczne sterowanie zieloną diodą LED
- - ręczne sterowanie niebieską diodą LED
- <+> - zwiększenie przysłony/ściemniacza/czułości/prędkości *pan* i *tilt* oraz makra
- <-> - zmniejszenie przysłony/ściemniacza/czułości/prędkości *pan* i *tilt* oraz makra
- od <0> do <9> - ruchy makr *pan* oraz *tilt*

Montaż Przed zamontowaniem produktu należy zapoznać się ze [wskazówkami bezpieczeństwa](#).



Dołączony do urządzenia reduktor gwintu redukuje istniejący gwint do rozmiaru M10. Mniejszy gwint M10 pasuje do zacisku CLP-10 firmy Chauvet.



Przy wykorzystaniu tylko jednego zacisku montażowego dla tego produktu należy upewnić się, że zacisk posiada śrubę uwięzioną, która zapobiega przypadkowemu połuzowaniu się.

Opis Panelu Sterowania

Przycisk	Funkcja
<MENU>	Wyjście z bieżącej opcji menu lub funkcji
<UP>	Przejdźcie w górę po liście menu oraz zwiększenie wartości numerycznej w funkcji
<DOWN>	Przejdźcie w dół po liście oraz obniżenie wartości numerycznej w funkcji
<ENTER>	Włączenie opcje menu lub ustawienie wybranej wartości

Opcje Menu

Główny poziom	Poziomy Programowania		Opis
Address	001–512		Ustala adres początkowy DMX
Run Mode	DMX	14CH	Wybór trybu DMX
		29CH	
	Auto	Auto01—Auto16	Wybór programu automatycznego
		Sound	Wybór trybu DMX
		Slave	Wybór trybu slave
		IR	Wybór sterowania na podczerwień
Setup	Pan Reverse	OFF	Standardowa obsługa pan
		ON	Odwrócona obsługa pan
	Tilt Reverse	OFF	Standardowa obsługa tilt
		ON	Odwrócona obsługa tilt
	Pan Angle	540	Wybór zakresu pan wyzoszącego 540°
		360	Wybór zakresu pan wyzoszącego 360°
		180	Wybór zakresu pan wyzoszącego 180°
	Tilt Angle	270	Wybór zakresu tilt wyzoszącego 270°
		180	Wybór zakresu tilt wyzoszącego 180°
		90	Wybór zakresu tilt wyzoszącego 90°
	P/T Speed	Normal	Wybór prędkości <i>pan/tilt</i>
		Fast	
		Slow	
	Fans	Auto	Ustawienie prędkości wentylatorów zależnie od temperatury
		Full	Prędkość wentylatora
	Display	OFF	Podświetlenie wyświetlacza wyłącza się jeśli urządzenie nie jest używane
		ON	Podświetlenie wyświetlacza zawsze włączone
	Screen Rev	OFF	Standardowa pozycja wyświetlacza
		ON	Odwrócona pozycja wyświetlacza
	Dimmer Curve	Square	Wybór trybu krzywej ściemniacza
I Squa			
SCurve			
Linear			
Dimmer Speed	Fast	Wybór prędkości ściemniacza	
	Smooth		
Color Balance	RED	Wybór balansu bearw (od 100 do 255)	
	GREEN		
	BLUE		
	WHITE		
Sensitivity	001—100	Ustawienie czułości reakcji na dźwięk	
	Reset	Reset urządzenia	
	Factory Set	Ładuje ustawienia fabryczne	

Opcje Menu (kont.)

Główny poziom	Poziomy Programowania	Opis
Sys Info	Ver VX	Wyświetla wersję oprogramowania
	Running Mode XXXXX	Wyświetla aktualny tryb pracy
	DMX Address XXX	Wyświetla aktualny adres DMX
	Temperature XXX	Wyświetla temperaturę diod LED w stopniach celcjusza

Połączenie DMX Intimidator™ Wash Zoom 350 IRC może współpracować z kontrolerem DMX, gdy jest podłączony za pomocą połączeń seryjnych DMX. Instrukcje dotyczące podłączenia i konfiguracji produktu w celu obsługi system DMX znajdują się w instrukcji obsługi. Jeżeli nie znają Państwo systemu DMX, DMX Primer znajduje się na stronie www.chauvetlighting.com.

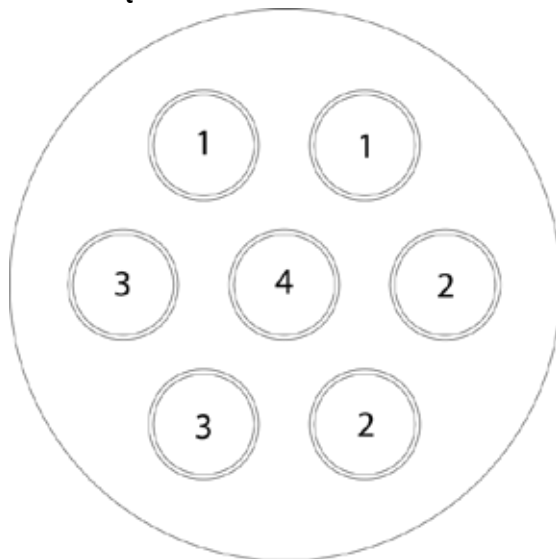
Adres Początkowy W celu zapewnienia pełnego dostępu do wszystkich kanałów w każdym trybie DMX najbardziej zalecanym adresem DMX jest **484**.

Połączenie Master/Slave Intimidator™ Wash Zoom 350 IRC wykorzystuje połączenie danych DMX dla swojego trybu Master/Slave. Instrukcje dotyczące podłączenia i konfiguracji produktu w celu obsługi Master/Slave znajdują się w instrukcji obsługi.

Wartości DMX

29CH	Kanał	Funkcja	Wartość	Procent/Ustawienie
	1	Pan (obrót)	000 ó 255	Od 0 do 540°
	2	Fine Pan (precyzyjny obrót)	000 ó 255	Precyzyjne sterowanie obrotem
	3	Tilt (przechył)	000 ó 255	Od 0 do 270°
	4	Fine Tilt (precyzyjny przechył)	000 ó 255	Precyzyjne sterowanie przechylem
	5	Prędkość	000 ó 255	Prędkość Pan/Tilt (od szybkiego do wolnego)
	6	Czerwony	000 ó 255	Od 0 do 100%
	7	Zielony	000 ó 255	Od 0 do 100%
	8	Niemieski	000 ó 255	Od 0 do 100%
	9	Biały	000 ó 255	Od 0 do 100%
	10	Czerwony	000 ó 255	Od 0 do 100%
	11	Zielony	000 ó 255	Od 0 do 100%
	12	Niemieski	000 ó 255	Od 0 do 100%
	13	Biały	000 ó 255	Od 0 do 100%
	14	Czerwony	000 ó 255	Od 0 do 100%
	15	Zielony	000 ó 255	Od 0 do 100%
	16	Niemieski	000 ó 255	Od 0 do 100%
	17	Biały	000 ó 255	Od 0 do 100%
	18	Czerwony	000 ó 255	Od 0 do 100%
	19	Zielony	000 ó 255	Od 0 do 100%
	20	Niemieski	000 ó 255	Od 0 do 100%
	21	Biały	000 ó 255	Od 0 do 100%

Strefy sterowania urządzenia Intimidator™ Wash Zoom 350 IRC



Wartości DMX (kont.)

29CH (kont.)	Kanał	Funkcja	Wartość	Procent/Ustawienie
22	Kolory	000 ó 004	Brak funkcji	
		005 ó 009	Kolor 1	
		010 ó 014	Kolor 2	
		015 ó 019	Kolor 3	
		020 ó 024	Kolor 4	
		025 ó 029	Kolor 5	
		030 ó 034	Kolor 6	
		035 ó 039	Kolor 7	
		040 ó 044	Kolor 8	
		045 ó 049	Kolor 9	
		050 ó 054	Kolor 10	
		055 ó 059	Kolor 11	
		060 ó 064	Kolor 12	
		065 ó 069	Kolor 13	
		070 ó 074	Kolor 14	
		075 ó 079	Kolor 15	
		080 ó 084	Kolor 16	
		085 ó 089	Kolor 17	
		090 ó 094	Kolor 18	
		095 ó 099	Kolor 19	
		100 ó 104	Kolor 20	
		105 ó 109	Kolor 21	
		110 ó 114	Kolor 22	
		115 ó 119	Kolor 23	
		120 ó 124	Kolor 24	
		125 ó 129	Kolor 25	
		130 ó 134	Kolor 26	
		135 ó 139	Kolor 27	
		140 ó 144	Kolor 28	
		145 ó 149	Kolor 29	
		150 ó 154	Kolor 30	
		155 ó 159	Kolor 31	
160 ó 164	Kolor 32			
165 ó 169	Kolor 33			
170 ó 174	Kolor 34			
175 ó 179	Brak funkcji			
180 ó 201	Zmiana kolorów zgodnie z ruchem wskazówek zegara (szybko zwalniać)			
202 ó 207	Zatrzymanie (Kolor pozostaje w bieżącym kolorem)			
208 ó 229	Zmiana kolorów przeciwnie do ruchu wskazówek zegara (wolnego do szybkiego)			
230 ó 234	Brak funkcji			
235 ó 249	Przeskakiwanie kolorów (szybko zwalniać)			
250 ó 255	Kolory aktywowane dźwiękiem			

Wartości DMX (kont.)

29CH (kont.)	Kanał	Funkcja	Wartość	Procent/Ustawienie
23		Zainstalowane sterowanie urządzeniem	000 ó 015	Brak funkcji
			016 ó 031	Makra strefy 1
			032 ó 047	Makra strefy 2
			048 ó 063	Makra strefy 3
			064 ó 079	Makra strefy 4
			080 ó 095	Makra strefy 5
			096 ó 111	Makra strefy 6
			112 ó 127	Zainstalowane 7 (makra stref 1-6)
			128 ó 143	Zainstalowane 8
			144 ó 159	Zainstalowane 9
			160 ó 175	Zainstalowane 10
			176 ó 191	Zainstalowane 11
			192 ó 207	Zainstalowane 12
			208 ó 223	Zainstalowane 13
			224 ó 239	Zainstalowane 14
			240 ó 255	Zainstalowane 15 (zainstalowane 8-14)
24		Szybkość (funkcja fabryczna)	000 ó 255	Prędkość stref oraz zainstalowanych programów (od wolnego do szybkiego)
25		Ściemniacz	000 ó 255	Od 0 do 100%
26		Przysłona	000 ó 019	Zamknięta
			020 ó 024	Otwarta
			025 ó 064	Efekt strobowania (wzrost prędkości)
			065 ó 069	Otwarta
			070 ó 084	wł. szybki, wył. wolny (zmniejszenie prędkości)
			085 ó 089	Otwarta
			090 ó 104	wł. wolny, wył. szybki (zmniejszenie prędkości)
			105 ó 109	Otwarta
			110 ó 124	Przysłona losowo (zmniejszenie prędkości)
			125 ó 129	Otwarta
			130 ó 144	wł. szybki losowo, wył. wolny (zmniejszenie prędkości)
			145 ó 149	Otwarta
			150 ó 164	wł. wolny losowo, wył. szybki (zmniejszenie prędkości)
			165 ó 169	Otwarta
			170 ó 184	Efekt pulsowania 1 (zmniejszenie prędkości)
			185 ó 189	Otwarta
			190 ó 204	Efekt pulsowania 2 (zmniejszenie prędkości)
			205 ó 209	Otwarta
			210 ó 224	Stopniowo włączony i wyłączony (zmniejszenie prędkości)
			225 ó 229	Otwarta
230 ó 244	Efekt pulsowania 3 (zmniejszenie prędkości)			
245 ó 255	Otwarta			
27		Zoom	000 ó 255	Przybliżanie oraz oddalenie

Wartości DMX (kont.)

29CH (kont.)	Kanał	Funkcja	Wartość	Procent/Ustawienie
28		Funkcje sterowania	000 ó 009	Brak funkcji
			010 ó 014	Wygazanie podczas obrotu/przechyłu
			015 ó 049	Brak funkcji
			050 ó 054	Reset funkcji pan
			055 ó 059	Reset funkcji tilt
			060 ó 064	Przywróć zoom
			065 ó 069	Brak funkcji
			070 ó 074	Reset wszystkiego
			075 ó 079	Brak funkcji
			080 ó 084	Odwrócona obsługa pan/tilt
			085 ó 089	Odwrócona obsługa pan/
			090 ó 094	Odwrócona obsługa tilt
			095 ó 099	Anulowanie odwróconej obsługi pan
			100 ó 104	Anulowanie odwróconej obsługi tilt
			105 ó 109	Anulowanie odwróconej obsługi pan/tilt
			110 ó 114	Normalna prędkość pan/tilt
			115 ó 119	Dużą prędkość pan/tilt
			120 ó 124	Małą prędkość pan/tilt
			125 ó 129	Wentylator (pełna prędkość)
			130 ó 134	Wentylator (automatycznie)
			135 ó 139	Ściemniacz (dimmer), szybko
140 ó 144	Ściemniacz (dimmer), delikatnie			
145 ó 255	Brak funkcji			
29		Makra Ruchu	000 ó 007	Brak funkcji
			008 ó 023	Automatyczny ruch makr 1
			024 ó 039	Automatyczny ruch makr 2
			040 ó 055	Automatyczny ruch makr 3
			056 ó 071	Automatyczny ruch makr 4
			072 ó 087	Automatyczny ruch makr 5
			088 ó 103	Automatyczny ruch makr 6
			104 ó 119	Automatyczny ruch makr 7
			120 ó 135	Automatyczny ruch makr 8
			136 ó 151	Automatyczny ruch makr aktywowany dźwiękiem 1
			152 ó 167	Automatyczny ruch makr aktywowany dźwiękiem 2
			168 ó 183	Automatyczny ruch makr aktywowany dźwiękiem 3
			184 ó 199	Automatyczny ruch makr aktywowany dźwiękiem 4
			200 ó 215	Automatyczny ruch makr aktywowany dźwiękiem 5
			216 ó 231	Automatyczny ruch makr aktywowany dźwiękiem 6
			232 ó 247	Automatyczny ruch makr aktywowany dźwiękiem 7
			248 ó 255	Automatyczny ruch makr aktywowany dźwiękiem 8

Wartości DMX (kont.)

14CH	Kanał	Funkcja	Wartość	Procent/Ustawienie
	1	Pan (obrót)	000 ó 255	Od 0 do 540°
	2	Tilt (przechył)	000 ó 255	Od 0 do 270°
	3	Prędkość	000 ó 255	Prędkość Pan/Tilt (od szybkiego do wolnego)
	4	Czerwony	000 ó 255	Od 0 do 100%
	5	Zielony	000 ó 255	Od 0 do 100%
	6	Niemieski	000 ó 255	Od 0 do 100%
	7	Biały	000 ó 255	Od 0 do 100%
	8	Zainstalowane sterowanie urządzeniem	000 ó 015	Brak funkcji
			016 ó 031	Makra strefy 1
			032 ó 047	Makra strefy 2
			048 ó 063	Makra strefy 3
			064 ó 079	Makra strefy 4
			080 ó 095	Makra strefy 5
			096 ó 111	Makra strefy 6
			112 ó 127	Zainstalowane 7 (makra stref 1-6)
			128 ó 143	Zainstalowane 8
			144 ó 159	Zainstalowane 9
			160 ó 175	Zainstalowane 10
			176 ó 191	Zainstalowane 11
			192 ó 207	Zainstalowane 12
			208 ó 223	Zainstalowane 13
			224 ó 239	Zainstalowane 14
	240 ó 255	Zainstalowane 15 (zainstalowane 8-14)		
	9	Szybkość (funkcja fabryczna)	000 ó 255	Prędkość stref oraz zainstalowanych programów (od wolnego do szybkiego)
	10	Ściemniacz	000 ó 255	Od 0 do 100%

Wartości DMX (kont.)

14CH (kont.)	Kanał	Funkcja	Wartość	Procent/Ustawienie
11	Przysłona	000 ó 019	Zamknięta	
		020 ó 024	Otwarta	
		025 ó 064	Efekt strobowania (wzrost prędkości)	
		065 ó 069	Otwarta	
		070 ó 084	wł. szybki, wył. wolny (zmniejszenie prędkości)	
		085 ó 089	Otwarta	
		090 ó 104	wł. wolny, wył. szybki (zmniejszenie prędkości)	
		105 ó 109	Otwarta	
		110 ó 124	Przysłona losowo (zmniejszenie prędkości)	
		125 ó 129	Otwarta	
		130 ó 144	wł. szybki losowo, wył. wolny (zmniejszenie prędkości)	
		145 ó 149	Otwarta	
		150 ó 164	wł. wolny losowo, wył. szybki (zmniejszenie prędkości)	
		165 ó 169	Otwarta	
		170 ó 184	Efekt pulsowania 1 (zmniejszenie prędkości)	
		185 ó 189	Otwarta	
		190 ó 204	Efekt pulsowania 2 (zmniejszenie prędkości)	
		205 ó 209	Otwarta	
210 ó 224	Stopniowo włączony i wyłączony (zmniejszenie prędkości)			
225 ó 229	Otwarta			
230 ó 244	Efekt pulsowania 3 (zmniejszenie prędkości)			
245 ó 255	Otwarta			
12	Zoom	000 ó 255	Przybliżanie oraz oddalanie	

Wartości DMX (kont.)

14CH (kont.)	Kanał	Funkcja	Wartość	Procent/Ustawienie
13	13	Funkcje sterowania	000 ó 009	Brak funkcji
			010 ó 014	Wygaszanie podczas obrotu/przechyłu
			015 ó 049	Brak funkcji
			050 ó 054	Reset funkcji pan
			055 ó 059	Reset funkcji tilt
			060 ó 064	Przywróć zoom
			065 ó 069	Brak funkcji
			070 ó 074	Reset wszystkiego
			075 ó 079	Brak funkcji
			080 ó 084	Odwrócona obsługa pan/tilt
			085 ó 089	Odwrócona obsługa pan/
			090 ó 094	Odwrócona obsługa tilt
			095 ó 099	Anulowanie odwróconej obsługi pan
			100 ó 104	Anulowanie odwróconej obsługi tilt
			105 ó 109	Anulowanie odwróconej obsługi pan/tilt
			110 ó 114	Normalna prędkość pan/tilt
			115 ó 119	Dużą prędkość pan/tilt
			120 ó 124	Małą prędkość pan/tilt
			125 ó 129	Wentylator (pełna prędkość)
			130 ó 134	Wentylator (automatycznie)
135 ó 139	Ściemniacz (dimmer), szybko			
140 ó 144	Ściemniacz (dimmer), delikatnie			
145 ó 255	Brak funkcji			
14	14	Makra Ruchu	000 ó 007	Brak funkcji
			008 ó 023	Automatyczny ruch makr 1
			024 ó 039	Automatyczny ruch makr 2
			040 ó 055	Automatyczny ruch makr 3
			056 ó 071	Automatyczny ruch makr 4
			072 ó 087	Automatyczny ruch makr 5
			088 ó 103	Automatyczny ruch makr 6
			104 ó 119	Automatyczny ruch makr 7
			120 ó 135	Automatyczny ruch makr 8
			136 ó 151	Automatyczny ruch makr aktywowany dźwiękiem 1
			152 ó 167	Automatyczny ruch makr aktywowany dźwiękiem 2
			168 ó 183	Automatyczny ruch makr aktywowany dźwiękiem 3
			184 ó 199	Automatyczny ruch makr aktywowany dźwiękiem 4
			200 ó 215	Automatyczny ruch makr aktywowany dźwiękiem 5
			216 ó 231	Automatyczny ruch makr aktywowany dźwiękiem 6
			232 ó 247	Automatyczny ruch makr aktywowany dźwiękiem 7
			248 ó 255	Automatyczny ruch makr aktywowany dźwiękiem 8

данном руководстве Краткое руководство (QRG) по Intimidator™ Wash Zoom 350 IRC содержит базовую информацию об устройстве, включая вопросы монтажа, настроек меню и значений DMX. Загрузите Руководство пользователя на сайте www.chauvetlighting.com.

Отказ от ответственности Информация и спецификации, приведенные в этом руководстве, могут меняться без уведомления.

Замечания по безопасности Настоящие Замечания по содержат важную информацию о безопасности при монтаже, эксплуатации и техническом обслуживании.



- Это устройство не предназначено для стационарного монтажа.
- Подключать это устройство можно ТОЛЬКО к заземленному и защищенному контуру.
- Всегда отключайте устройство от питания перед очисткой или заменой предохранителя.
- НЕ смотрите на источник света, когда устройство включено.
- Убедитесь, что провод электропитания не перегнут и не поврежден.
- Никогда не отключайте это устройство от питания за шнур питания.
- При монтаже этого устройства сверху пользуйтесь предохранительным тросом.
- НЕ допускайте размещения рядом с устройством воспламеняющихся материалов.
- НЕ прикасайтесь к корпусу устройства во время его работы, поскольку он нагревается.



- Напряжение розетки, к которой подключается это устройство, должно находиться в диапазоне, указанном на наклейке на задней панели устройства.
- Данное устройство предназначено только для использования в помещениях (IP 20)! Чтобы уменьшить риск возгорания и поражения электрическим током, не подвергайте устройство воздействию дождя или влаги.
- Монтаж устройства должен выполняться только при наличии достаточной вентиляции на расстоянии не менее 20 дюймов (50 см) от соседних поверхностей.
- Убедитесь, что на корпусе устройства нет заблокированных отверстий.
- Никогда не подключайте это устройство к регулятору яркости или реостату.
- Замените предохранитель на устройство того же типа и номинала.
- Для перемещения устройства используйте только монтажный зажим или ручки.
- Максимальная температура окружающей среды составляет 104 °F (40 °C). Не допускайте работы этого устройства при высокой температуре.
- В случае серьезного нарушения в работе устройства немедленно прекратите его использование.
- НЕ открывайте это устройство. Оно не содержит деталей, обслуживаемых пользователем.
- Во избежание ненужного износа и для продления срока службы неиспользуемое устройство следует полностью отключить от питания с помощью выключателя или путем извлечения вилки из розетки.

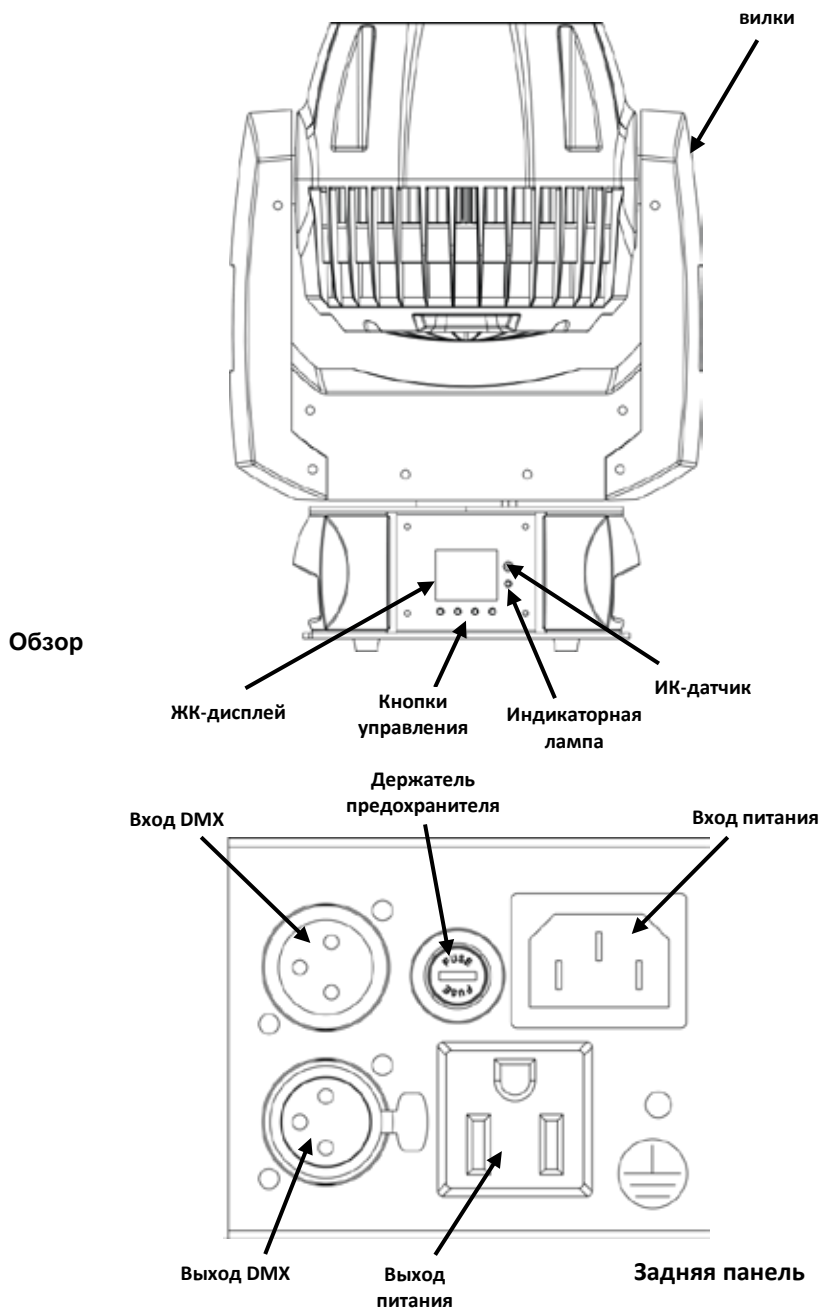
Контакт За пределами США, Великобритании, Ирландии, Мексика и Бельгия по вопросам поддержки или возврата устройства обращайтесь к своему дистрибьютору. Контактная информация приведена на сайте www.chauvetlighting.com.

Комплект поставки

- Intimidator™ Wash Zoom 350 IRC
- Гарантийная карта
- Шнур питания
- Краткое руководство
- Уменьшитель резьбовых отверстий

Начало работы Распакуйте устройство Intimidator™ Wash Zoom 350 IRC и проверьте исправное состояние всех полученных деталей. Если коробка или ее содержимое имеют признаки повреждения, немедленно сообщите об этом не Chauvet, а перевозчику.

Описание Intimidator™ Wash Zoom 350 IRC – это многофункциональная компактная вращающаяся голова омывающего света с четырехцветными светодиодами RGBW мощностью 20 Вт. Моторизованный зум подходит для коротко- или длиннофокусного проецирования. Устройство предлагает простую навигацию и полнотекстовую индикацию на высококонтрастном и полноцветном ЖК-экране. Вы можете создавать синхронизированные шоу в режиме Master/Slave с помощью легкодоступных встроенных автоматических программ. Опциональный пульт дистанционного управления IRC-6 от Chauvet предлагает удобное беспроводное управление без DMX. Устройство Intimidator™ Wash Zoom 350 IRC оптимально помещается в сумку CHS-50 VIP Gear Bag от Chauvet.



Питание переменного тока Это устройство имеет функцию автоматического выбора диапазона электропитания и может работать со входным напряжением в диапазоне 100-240 В пер. т, 50/60 Гц.



Во избежание ненужного износа и для продления срока службы неиспользуемое устройство следует полностью отключить от питания с помощью выключателя или путем извлечения вилки из розетки.

Подключение питания Информацию о максимальном количестве устройств Intimidator™ Wash Zoom 350 IRC, которые можно подключить при соответствующем напряжении, см. на стикере на устройстве или в Руководстве пользователя.

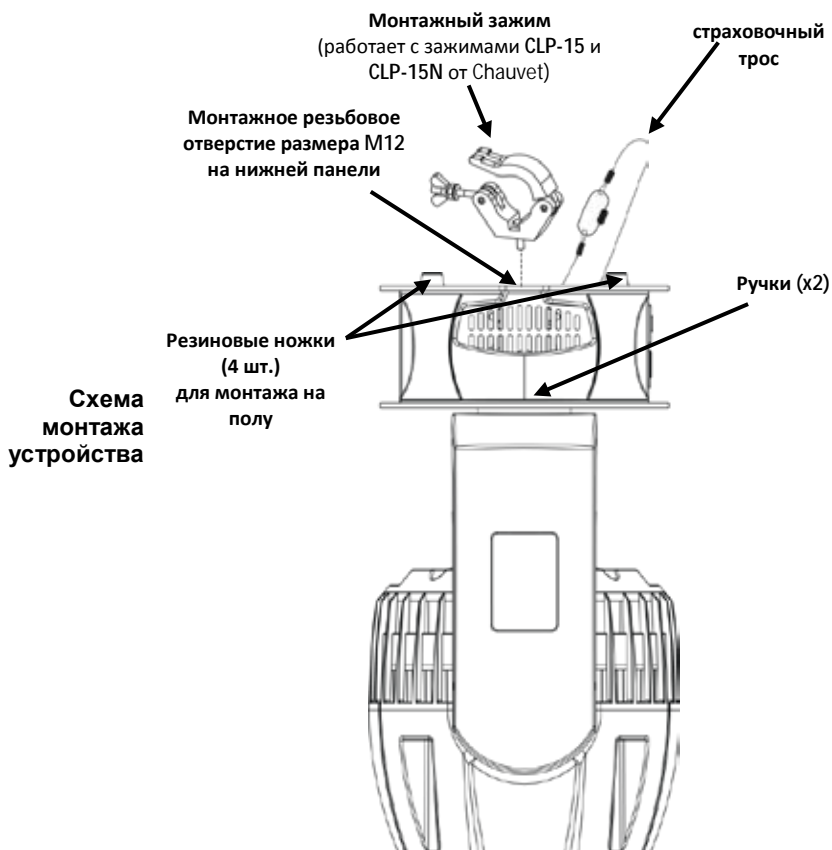
- Замена предохранителей**
1. Отключите устройство от питания.
 2. С помощью отвертки с плоской головкой ослабьте держатель предохранителя и извлеките его.
 3. Извлеките перегоревший предохранитель из зажима и замените его на предохранитель того же типа и номинала.
 4. Повторно вставьте держатель предохранителя и снова подключите питание.

Инфракрасный пульт дистанционного управления (IRC-6) Устройство Intimidator™ Wash Zoom 350 IRC совместимо с пультом IRC-6 от Chauvet.

С Intimidator™ Wash 350 IRC используются следующие кнопки IRC-6:

- <BLACKOUT> – включение/выключение светодиода
- <AUTO> – выбор режима автопрограмм
- <SOUND> – выбор режима звуковой активации
- <STROBE> – стробоскопический эффект (0-20 Гц)
- <SPEED> – скорость автопрограммы
- <SENSITIVITY> – выбор чувствительности звука
- <%> – диммер
- <MANUAL> – ручное управление белым светодиодом
- <FADE/SNAP> – изменение цвета
- <R> – ручное управление красным светодиодом
- <G> – ручное управление зеленым светодиодом
- – ручное управление синим светодиодом
- <+> – увеличение скорости и макросов затвора/диммера/чувствительности/панорамы
- <-> – уменьшение скорости и макросов затвора/диммера/чувствительности/панорамы
- <0> – <9> – движения макросов панорамы/наклона

Монтаж Перед монтажом этого устройства прочитайте [Замечания по безопасности](#).



Включенный в комплект поставки уменьшител резьбовых отверстий уменьшает встроенное монтажное резьбовое отверстие до размера M10. Отверстие размера M10 совместимо с зажимом CLP-10 от Chauvet.



При использовании с этим устройством только одного монтажного зажима следует использовать зажим вместе с невыпадающим болтом для предотвращения случайного ослабления.

Описание панели управления	Кнопка	Функция
	<MENU>	Выход из текущего меню или функции
	<UP>	Перемещение вверх по списку меню и увеличение числового значения при работе
	<DOWN>	Перемещение вниз по списку меню и уменьшение числового значения при работе
	<ENTER>	Текущее отображаемое меню или настройка текущего выбранного значения в выбранной функции

Настройки Меню

Главный уровень	Уровни Программирования		Название
Address	001–512		Настройка начального адреса DMX
Run Mode	DMX	14CH	Выбор режима DMX
		29CH	
	Auto	Auto01—Auto16	Выбор автопрограммы
	Sound		Выбор режима звуковой активации
	Slave		Выбор режима Slave
	IR		Выбор ИК-управления
Setup	Pan Reverse	OFF	Нормальный панорамный режим
		ON	Обратный панорамный режим
	Tilt Reverse	OFF	Нормальный режим наклона
		ON	Обратный режим наклона
	Pan Angle	540	Выбор угла панорамы 540°
		360	Выбор угла панорамы 360°
		180	Выбор угла панорамы 180°
	Tilt Angle	270	Выбор угла наклона 270°
		180	Выбор угла наклона 180°
		90	Выбор угла наклона 90°
	P/T Speed	Normal	Выбор скорости панорамы/наклона
		Fast	
		Slow	
	Fans	Auto	Настройка скорости вентилятора согласно температуре
		Full	Установка макс. скорости вентилятора
	Display	OFF	После периода неактивности подсветка экрана отключается
		ON	Подсветка дисплея остается вкл
	Screen Rev	OFF	Нормальное отображение
		ON	Обращение экрана
	Dimmer Curve	Square	Выбор режима кривой диммера
		I Squa	
		SCurve	
		Linear	
Dimmer Speed	Fast	Выбор скорости диммера	
	Smooth		
Color Balance	RED	Выбор цветового баланса (100 – 255)	
	GREEN		
	BLUE		
	WHITE		
Sensitivity	001—100	Настройка звуковой чувствительности	
Reset		Сброс продукта	
Factory Set		Загрузка заводских настроек	

Настройки Меню (прод.)

Главный уровень	Уровни Программирования	Название
Sys Info	Ver VX	Отображение версии ПО
	Running Mode XXXXX	Отображение текущего режима работы
	DMX Address XXX	Отображение текущего адреса DMX
	Temperature XXX	Отображение температуры светодиода в градусах Цельсия

Связь по DMX Устройство Intimidator™ Wash Zoom 350 IRC может работать с контроллером DMX при подключении с помощью последовательных соединений DMX. Инструкции по подключению и конфигурированию этого устройства в режиме DMX приведены в Руководстве пользователя. Если вы не знакомы с DMX, загрузите вводное руководство DMX Primer на сайте www.chauvetlighting.com.

Начальный адрес Для обеспечения полного доступа ко всем каналам в каждом из режимов DMX максимальный рекомендуемый адрес DMX – **484**.

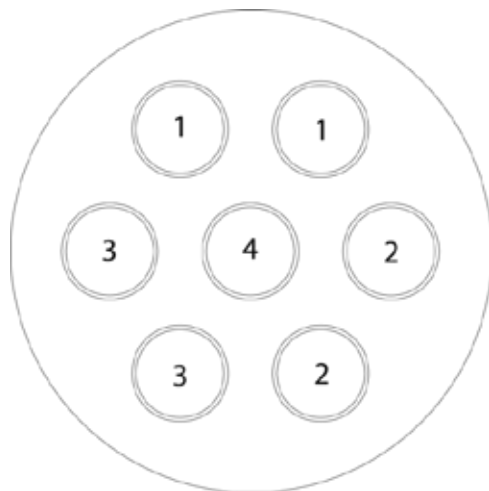
Подключение Master/Slave Устройство Intimidator™ Wash Zoom 350 IRC использует соединение передачи данных DMX для режима Master/Slave. Инструкции по подключению и конфигурированию этого устройства в режиме Master/Slave приведены в Руководстве пользователя.

Значения DMX

29CH

Канал	Функция	Значение	Процент/установка	
1	Панорама	000 ó 255	0—540°	
2	Точная регулировка панорамы	000 ó 255	Точная регулировка панорамы	
3	Наклон	000 ó 255	0—270°	
4	Точная регулировка наклона	000 ó 255	Точная регулировка наклона	
5	Скорость	000 ó 255	Скорость панорамы/наклона (с высокой на низкую)	
6	Красный	000 ó 255	0—100%	Зона 1
7	Зеленый	000 ó 255	0—100%	
8	Синий	000 ó 255	0—100%	
9	Белый	000 ó 255	0—100%	
10	Красный	000 ó 255	0—100%	Зона 2
11	Зеленый	000 ó 255	0—100%	
12	Синий	000 ó 255	0—100%	
13	Белый	000 ó 255	0—100%	
14	Красный	000 ó 255	0—100%	Зона 3
15	Зеленый	000 ó 255	0—100%	
16	Синий	000 ó 255	0—100%	
17	Белый	000 ó 255	0—100%	
18	Красный	000 ó 255	0—100%	Зона 4
19	Зеленый	000 ó 255	0—100%	
20	Синий	000 ó 255	0—100%	
21	Белый	000 ó 255	0—100%	

Зоны контроля Intimidator™ Wash Zoom 350 IRC



Значения DMX (прод.)

29CH (прод.)	Канал	Функция	Значение	Процент/установка	
			000 ó 004	Нет действия	
			005 ó 009	цвет 1	
			010 ó 014	цвет 2	
			015 ó 019	цвет 3	
			020 ó 024	цвет 4	
			025 ó 029	цвет 5	
			030 ó 034	цвет 6	
			035 ó 039	цвет 7	
			040 ó 044	цвет 8	
			045 ó 049	цвет 9	
			050 ó 054	цвет 10	
			055 ó 059	цвет 11	
			060 ó 064	цвет 12	
			065 ó 069	цвет 13	
			070 ó 074	цвет 14	
			075 ó 079	цвет 15	
			080 ó 084	цвет 16	
			085 ó 089	цвет 17	
			090 ó 094	цвет 18	
			095 ó 099	цвет 19	
			100 ó 104	цвет 20	
22		Цвета	105 ó 109	цвет 21	
			110 ó 114	цвет 22	
			115 ó 119	цвет 23	
			120 ó 124	цвет 24	
			125 ó 129	цвет 25	
			130 ó 134	цвет 26	
			135 ó 139	цвет 27	
			140 ó 144	цвет 28	
			145 ó 149	цвет 29	
			150 ó 154	цвет 30	
			155 ó 159	цвет 31	
			160 ó 164	цвет 32	
			165 ó 169	цвет 33	
			170 ó 174	цвет 34	
				175 ó 179	Нет действия
				180 ó 201	Изменение цвета по часовой стрелке (быстро к медленному)
				202 ó 207	Останов (цвет остается в текущем цвете)
				208 ó 229	Изменение цвета против часовой стрелки (медленного к быстрому)
				230 ó 234	Нет действия
				235 ó 249	Цветовой прыжок (быстро к медленному)
				250 ó 255	Цвета звуковой активации

Значения DMX (прод.)

29CH
(прод.)

Канал	Функция	Значение	Процент/установка
23	Встроенный контроль	000 ◊ 015	Нет действия
		016 ◊ 031	Макрос зоны 1
		032 ◊ 047	Макрос зоны 2
		048 ◊ 063	Макрос зоны 3
		064 ◊ 079	Макрос зоны 4
		080 ◊ 095	Макрос зоны 5
		096 ◊ 111	Макрос зоны 6
		112 ◊ 127	Встроенный 7 (макросы зон 1-6)
		128 ◊ 143	Встроенный 8
		144 ◊ 159	Встроенный 9
		160 ◊ 175	Встроенный 10
		176 ◊ 191	Встроенный 11
		192 ◊ 207	Встроенный 12
		208 ◊ 223	Встроенный 13
		224 ◊ 239	Встроенный 14
240 ◊ 255	Встроенный 15 (встроенные 8-14)		
24	Встроенная скорость	000 ◊ 255	Зоны и встроенная скорость (низкая-высокая)
25	Регулятор яркости	000 ◊ 255	0–100%
26	Затвор	000 ◊ 019	Закрыто
		020 ◊ 024	Открыто
		025 ◊ 064	Стробоскопический эффект (уменьшение скорости)
		065 ◊ 069	Открыто
		070 ◊ 084	Быстро вкл, медленно выкл (уменьшение скорости)
		085 ◊ 089	Открыто
		090 ◊ 104	Медленно вкл, быстро выкл (уменьшение скорости)
		105 ◊ 109	Открыто
		110 ◊ 124	Случайный режим затвора (уменьшение скорости)
		125 ◊ 129	Открыто
		130 ◊ 144	Случайный режим быстро вкл, медленно выкл (уменьшение скорости)
		145 ◊ 149	Открыто
		150 ◊ 164	Случайный режим медленно вкл, быстро выкл (уменьшение скорости)
		165 ◊ 169	Открыто
		170 ◊ 184	Импульсный эффект 1 (уменьшение скорости)
		185 ◊ 189	Открыто
		190 ◊ 204	Импульсный эффект 2 (уменьшение скорости)
		205 ◊ 209	Открыто
		210 ◊ 224	Постепенное вкл и выкл (уменьшение скорости)
		225 ◊ 229	Открыто
230 ◊ 244	Импульсный эффект 3 (уменьшение скорости)		
245 ◊ 255	Открыто		

Значения DMX (прод.)

29СН (прод.)	Канал	Функция	Значение	Процент/установка
	27	Зум	000 ◊ 255	Увеличение/уменьшение
	28	Функции управления	000 ◊ 009	Нет действия
			010 ◊ 014	Затемнение при панорамировании/наклоне
			015 ◊ 049	Нет действия
			050 ◊ 054	Сброс панорамы
			055 ◊ 059	Сброс наклона
			060 ◊ 064	Сбросить увеличение
			065 ◊ 069	Нет действия
			070 ◊ 074	Сбросить все
			075 ◊ 079	Нет действия
			080 ◊ 084	Обратное панорамирование/наклон
			085 ◊ 089	Обратная панорама
			090 ◊ 094	Обратный наклон
			095 ◊ 099	Отмена обратной панорамы
			100 ◊ 104	Отмена обратного наклона
			105 ◊ 109	Отмена обратной панорамы/наклона
			110 ◊ 114	Нормальная скорость панорамы/наклона
			115 ◊ 119	Высокая скорость панорамы/наклона
			120 ◊ 124	Низкая скорость панорамы/наклона
			125 ◊ 129	Вентилятор (высокая скорость)
			130 ◊ 134	Вентилятор (авто)
	135 ◊ 139	Диммер, высокая скорость		
	140 ◊ 144	Диммер, гладкий		
	145 ◊ 255	Нет действия		
	29	Макросы движения	000 ◊ 007	Нет действия
			008 ◊ 023	Макрос автоматического движения 1
			024 ◊ 039	Макрос автоматического движения 2
			040 ◊ 055	Макрос автоматического движения 3
			056 ◊ 071	Макрос автоматического движения 4
			072 ◊ 087	Макрос автоматического движения 5
			088 ◊ 103	Макрос автоматического движения 6
			104 ◊ 119	Макрос автоматического движения 7
			120 ◊ 135	Макрос автоматического движения 8
			136 ◊ 151	Макрос движения в режиме звуковой активации 1
			152 ◊ 167	Макрос движения в режиме звуковой активации 2
			168 ◊ 183	Макрос движения в режиме звуковой активации 3
			184 ◊ 199	Макрос движения в режиме звуковой активации 4
			200 ◊ 215	Макрос движения в режиме звуковой активации 5
			216 ◊ 231	Макрос движения в режиме звуковой активации 6
			232 ◊ 247	Макрос движения в режиме звуковой активации 7
			248 ◊ 255	Макрос движения в режиме звуковой активации 8

Значения DMX (прод.)

14CH

Канал	Функция	Значение	Процент/установка
1	Панорама	000 ó 255	0—540°
2	Наклон	000 ó 255	0—270°
3	Скорость	000 ó 255	Скорость панорамы/наклона (с высокой на низкую)
4	красный	000 ó 255	0—100%
5	зеленый	000 ó 255	0—100%
6	синий	000 ó 255	0—100%
7	белый	000 ó 255	0—100%
8	Встроенный контроль	000 ó 015	Нет действия
		016 ó 031	Макрос зоны 1
		032 ó 047	Макрос зоны 2
		048 ó 063	Макрос зоны 3
		064 ó 079	Макрос зоны 4
		080 ó 095	Макрос зоны 5
		096 ó 111	Макрос зоны 6
		112 ó 127	Встроенный 7 (макросы зон 1-6)
		128 ó 143	Встроенный 8
		144 ó 159	Встроенный 9
		160 ó 175	Встроенный 10
		176 ó 191	Встроенный 11
		192 ó 207	Встроенный 12
		208 ó 223	Встроенный 13
224 ó 239	Встроенный 14		
240 ó 255	Встроенный 15 (встроенные 8-14)		
9	Встроенная скорость	000 ó 255	Зоны и встроенная скорость (низкая-высокая)
10	Регулятор яркости	000 ó 255	0—100%
11	Затвор	000 ó 019	Закрето
		020 ó 024	Открыто
		025 ó 064	Стробоскопический эффект (уменьшение скорости)
		065 ó 069	Открыто
		070 ó 084	Быстро вкл, медленно выкл (уменьшение скорости)
		085 ó 089	Открыто
		090 ó 104	Медленно вкл, быстро выкл (уменьшение скорости)
		105 ó 109	Открыто
		110 ó 124	Случайный режим затвора (уменьшение скорости)
		125 ó 129	Открыто
		130 ó 144	Случайный режим быстро вкл, медленно выкл (уменьшение скорости)
		145 ó 149	Открыто
		150 ó 164	Случайный режим медленно вкл, быстро выкл (уменьшение скорости)

Значения DMX (прод.)

14CH (прод.)	Канал	Функция	Значение	Процент/установка
11 (прод.)	11 (прод.)	Затвор (прод.)	165 ○ 169	Открыто
			170 ○ 184	Импульсный эффект 1 (уменьшение скорости)
			185 ○ 189	Открыто
			190 ○ 204	Импульсный эффект 2 (уменьшение скорости)
			205 ○ 209	Открыто
			210 ○ 224	Постепенное вкл и выкл (уменьшение скорости)
			225 ○ 229	Открыто
			230 ○ 244	Импульсный эффект 3 (уменьшение скорости)
			245 ○ 255	Открыто
12	12	Зум	000 ○ 255	Увеличение/уменьшение
13	13	Функции управления	000 ○ 009	Нет действия
			010 ○ 014	Затемнение при панорамировании/наклоне
			015 ○ 049	Нет действия
			050 ○ 054	Сброс панорамы
			055 ○ 059	Сброс наклона
			060 ○ 064	Сбросить увеличение
			065 ○ 069	Нет действия
			070 ○ 074	Сбросить все
			075 ○ 079	Нет действия
			080 ○ 084	Обратное панорамирование/наклон
			085 ○ 089	Обратная панорама
			090 ○ 094	Обратный наклон
			095 ○ 099	Отмена обратной панорамы
			100 ○ 104	Отмена обратного наклона
			105 ○ 109	Отмена обратной панорамы/наклона
			110 ○ 114	Нормальная скорость панорамы/наклона
			115 ○ 119	Высокая скорость панорамы/наклона
			120 ○ 124	Низкая скорость панорамы/наклона
			125 ○ 129	Вентилятор (высокая скорость)
			130 ○ 134	Вентилятор (авто)
135 ○ 139	Диммер, высокая скорость			
140 ○ 144	Диммер, гладкий			
145 ○ 255	Нет действия			
14	14	Макросы движения	000 ○ 007	Нет действия
			008 ○ 023	Макрос автоматического движения 1
			024 ○ 039	Макрос автоматического движения 2
			040 ○ 055	Макрос автоматического движения 3
			056 ○ 071	Макрос автоматического движения 4
			072 ○ 087	Макрос автоматического движения 5
			088 ○ 103	Макрос автоматического движения 6
			104 ○ 119	Макрос автоматического движения 7
			120 ○ 135	Макрос автоматического движения 8
136 ○ 151	Макрос движения в режиме звуковой активации 1			

Значения DMX (прод.)

14CH (прод.)	Канал	Функция	Значение	Процент/установка
14 (прод.)	Макросы движения (прод.)	Макросы движения (прод.)	152 ó 167	Макрос движения в режиме звуковой активации 2
			168 ó 183	Макрос движения в режиме звуковой активации 3
			184 ó 199	Макрос движения в режиме звуковой активации 4
			200 ó 215	Макрос движения в режиме звуковой активации 5
			216 ó 231	Макрос движения в режиме звуковой активации 6
			232 ó 247	Макрос движения в режиме звуковой активации 7
			248 ó 255	Макрос движения в режиме звуковой активации 8

Contact Us

WORLD HEADQUARTERS - Chauvet

General Information

Address: 5200 NW 108th Avenue
Sunrise, FL 33351
Voice: (954) 577-4455
Fax: (954) 929-5560
Toll free: (800) 762-1084

Technical Support

Voice: (954) 577-4455 (Press 4)
Fax: (954) 756-8015
Email: tech@chauvetlighting.com

World Wide Web

www.chauvetlighting.com

UNITED KINGDOM AND IRELAND - Chauvet Europe Ltd.

General Information

Address: Unit 1C
Brookhill Road Industrial Estate
Pinxton, Nottingham, UK
NG16 6NT
Voice: +44 (0)1773 511115
Fax: +44 (0)1773 511110

Technical Support

Email: uktech@chauvetlighting.com

World Wide Web

www.chauvetlighting.co.uk

MEXICO - Chauvet Mexico

General Information

Address: Av. Santa Ana 30
Parque Industrial Lerma
Lerma, Mexico C.P. 52000
Voice: +52 (728) 285-5000

Technical Support

Email: servicio@chauvet.com.mx

World Wide Web www.chauvet.com.mx

CHAUVET EUROPE - Chauvet Europe BVBA

General Information

Address: Stokstraat 18
9770 Kruishoutem
Belgium
Voice: +32 9 388 93 97

Technical Support

Email: Eutech@chauvetlighting.eu

World Wide Web

www.chauvetlighting.eu

Outside the U.S., United Kingdom, Ireland, Mexico, or Benelux, contact the dealer of record. Follow their instructions to request support or to return a product. Visit our website for contact details.

Intimidator™ Wash Zoom 350 IRC QRG – Rev. 4 ML8

© Copyright 2015 Chauvet

All rights reserved.

Printed in the P. R. C.

