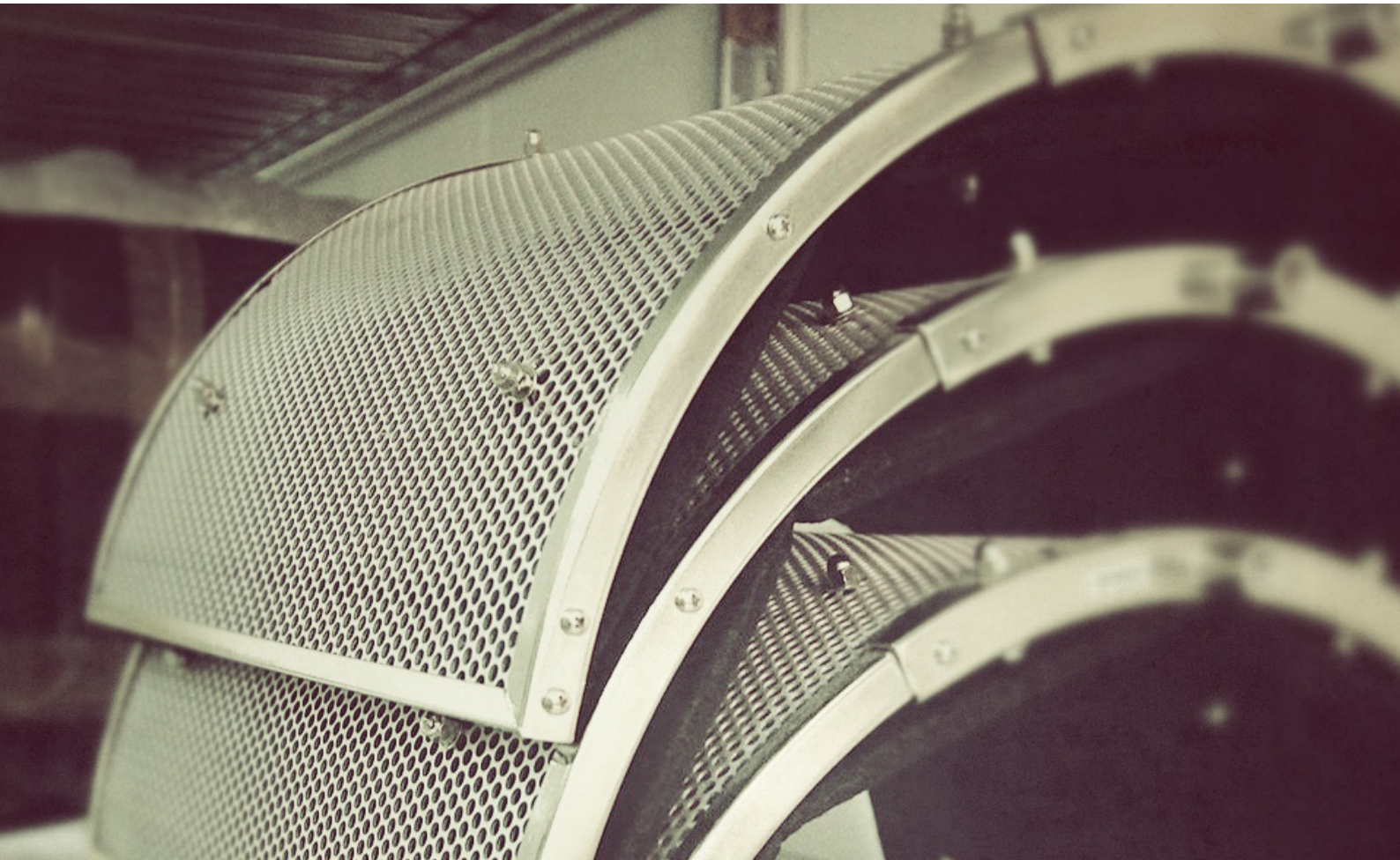




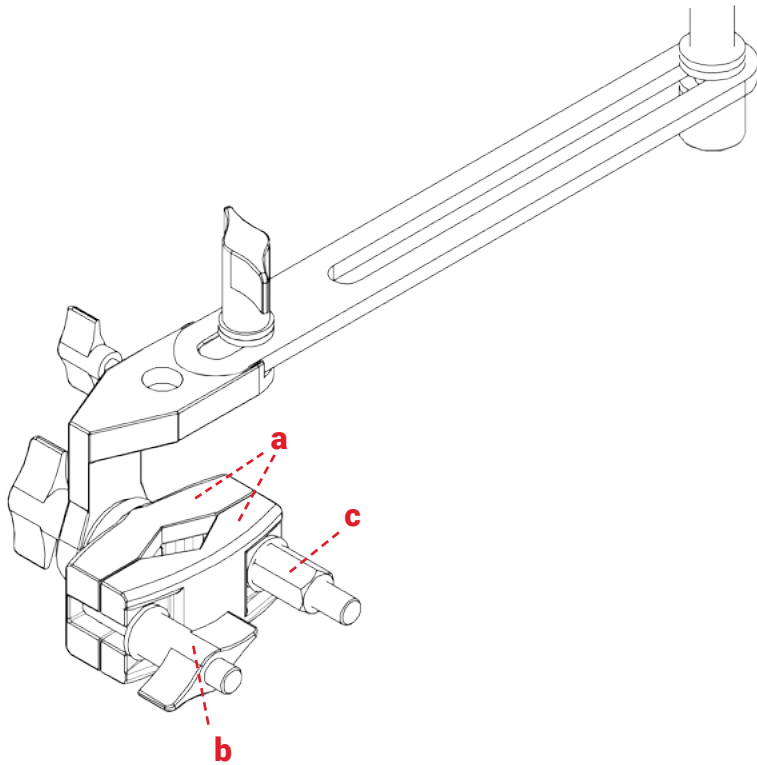
sE Electronics



REFLEXION FILTER® PRO ASSEMBLY + USE



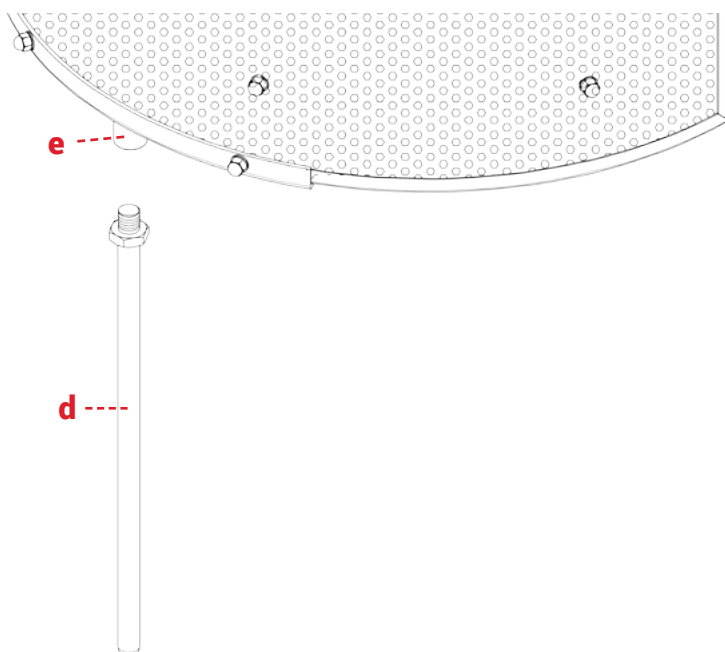
Thank you for purchasing an sE Electronics RF Pro! We hope it helps make your tracks sound great - no matter WHERE you're recording.



STEP ONE

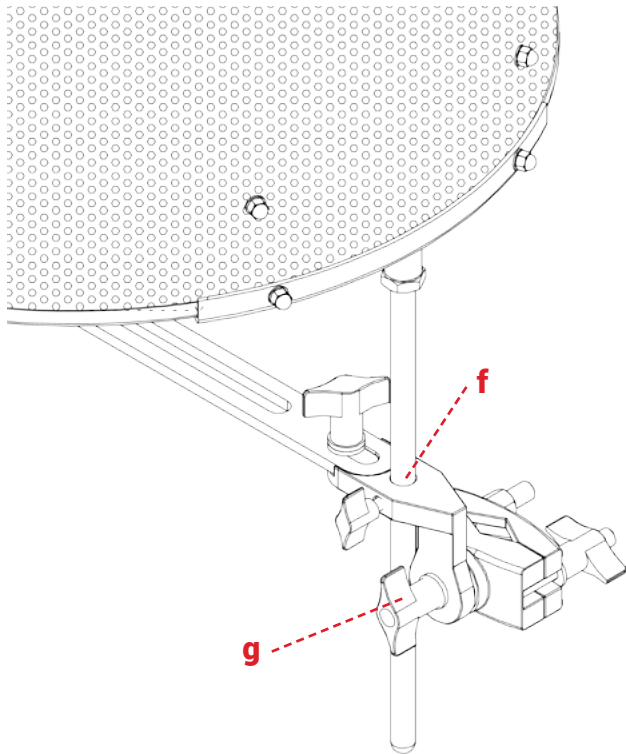
The first step is to attach the hardware to the stand, which is done by loosening the metal clamps (a), fitting the stand between them, and tightening the key (b) for a secure fit.

If your stand's diameter is very large or very small, you may have to adjust the large threaded nut (c) opposite the turning key to fit.



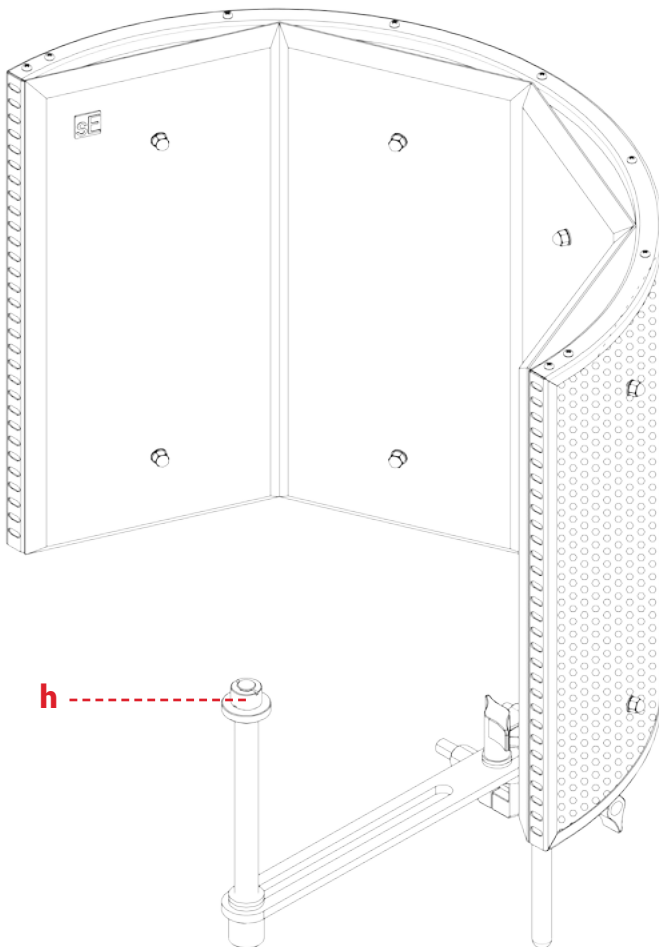
STEP TWO

Next, attach the support rod (d) to the filter by screwing it into the socket on the bottom edge (e). Tighten the nut using the wrench supplied in the box.



STEP THREE

Now, attach the filter to the mounting hardware by pushing the support rod down into its socket on the stand clamp (f), and tighten it in place with the turning key on the block (g).

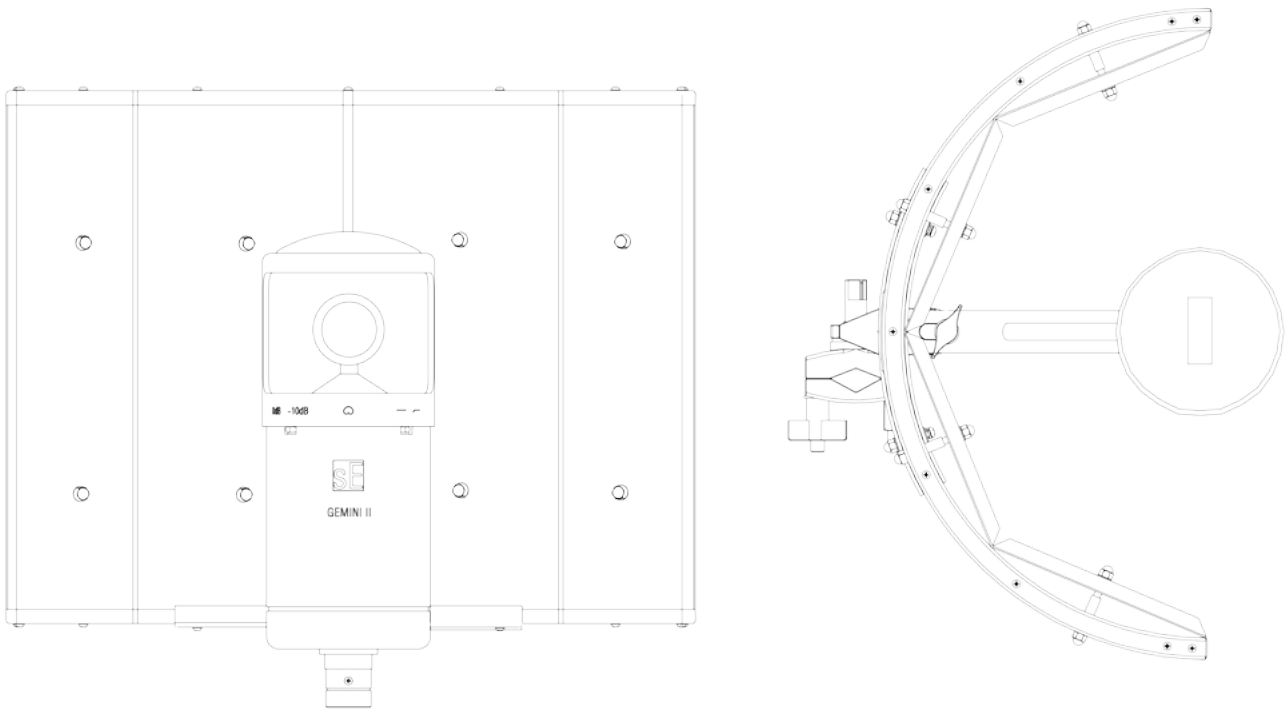


STEP FOUR

Your microphone, in a shockmount or a clip, will attach to the hardware with the included standoff (h).

**The included adapter must be used for 5/8" (US standard) threaded mounts.*





The ideal placement for your microphone is where the mic's capsule is approximately even with the front edge of the filter, and centered vertically with the filter – but some mics sound better when pushed a little closer, and some a little further away.

Once you've found a good position for the mic and filter, you can loosen the lever on top of the mic stand mount to move the filter and mic assembly forward or back – this way, you can position it so its center of gravity is balanced directly above the mic stand.

Thank you for being an sE customer - enjoy your new Reflexion Filter®!

For more information, and to register for your extra year of warranty, please visit seelectronics.com.